



US00D485911S

(12) **United States Design Patent**
Learning et al.

(10) **Patent No.:** **US D485,911 S**
(45) **Date of Patent:** **** *Jan. 27, 2004**

(54) **SAFETY GATE**

3,866,356 A 2/1975 La Cook et al.
D415,842 S * 10/1999 Mishina D25/39

(75) Inventors: **Duane E. Learning**, Trail (CA);
Sydney F. Harry, Trail (CA)

* cited by examiner

(73) Assignee: **Can-Am Industrial Safety Gates Ltd.**,
Trail (CA)

Primary Examiner—Doris Clark
(74) *Attorney, Agent, or Firm*—Oyen Wiggs Green &
Mutala

(*) Notice: This patent is subject to a terminal dis-
claimer.

(57) **CLAIM**

(**) Term: **14 Years**

The ornamental design for a safety gate, as shown and
described.

(21) Appl. No.: **29/160,366**

DESCRIPTION

(22) Filed: **May 10, 2002**

(51) **LOC (7) Cl.** **25-02**

(52) **U.S. Cl.** **D25/50**

(58) **Field of Search** D25/39, 50; 256/73;
49/207, 371

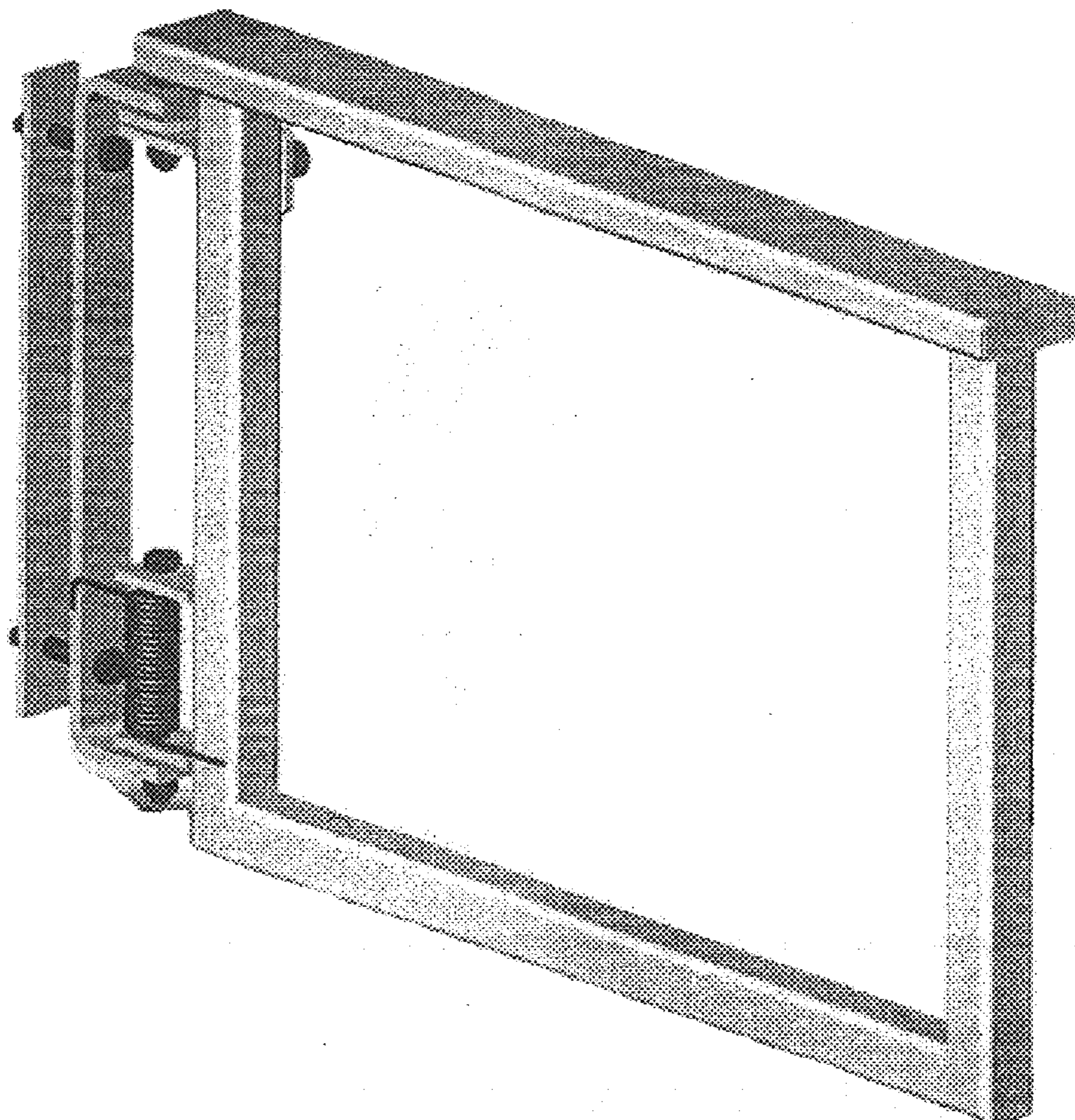
FIG. 1 is a perspective view of the design;
FIG. 2 is a front view of the design;
FIG. 3 is a rear view of the design;
FIG. 4 is a bottom view of the design;
FIG. 5 is a top view of the design;
FIG. 6 is a left side view of the design; and,
FIG. 7 is a right side view of the design.

(56) **References Cited**

U.S. PATENT DOCUMENTS

3,290,014 A * 12/1966 Stapleton 256/73

1 Claim, 5 Drawing Sheets



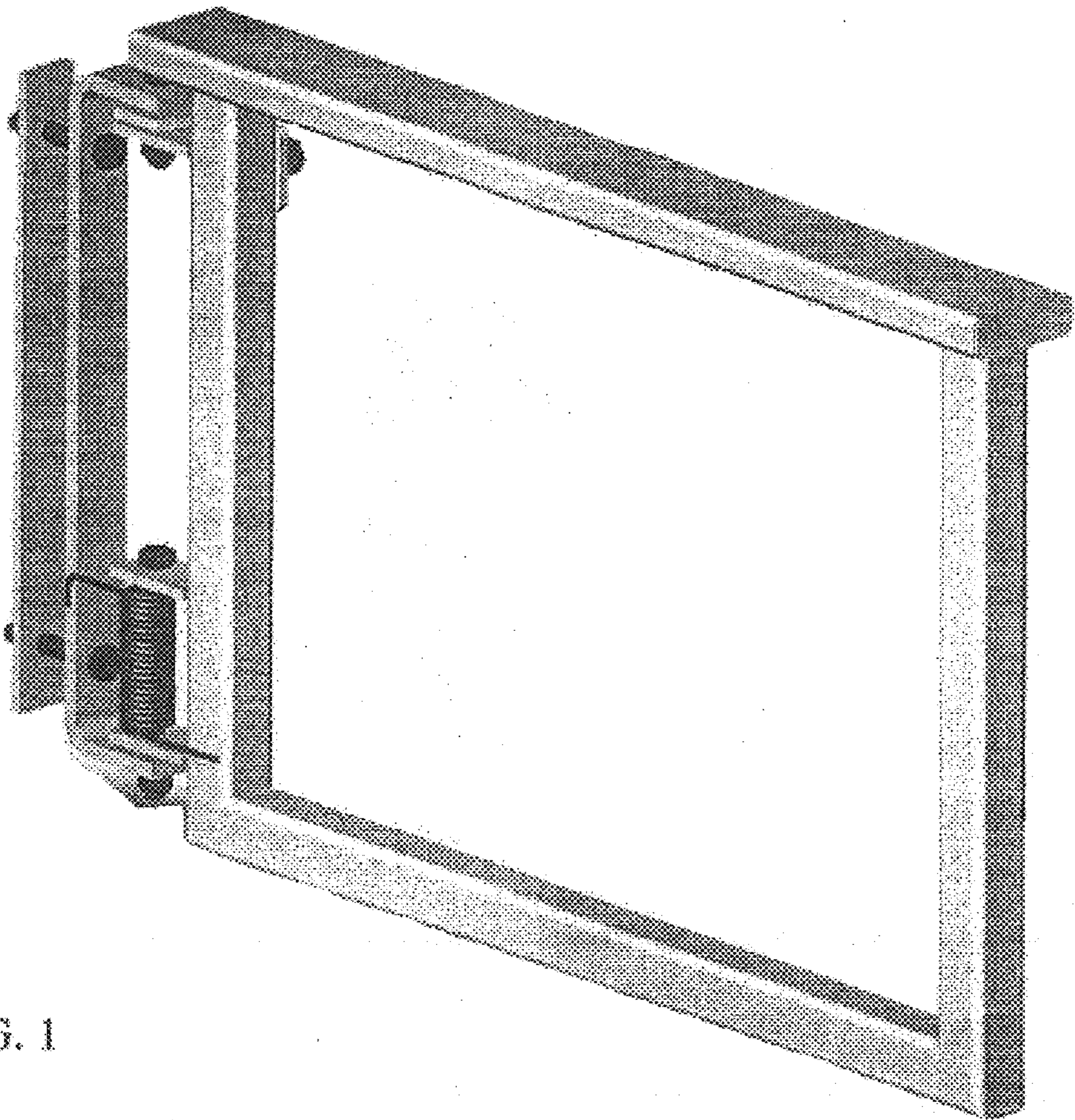
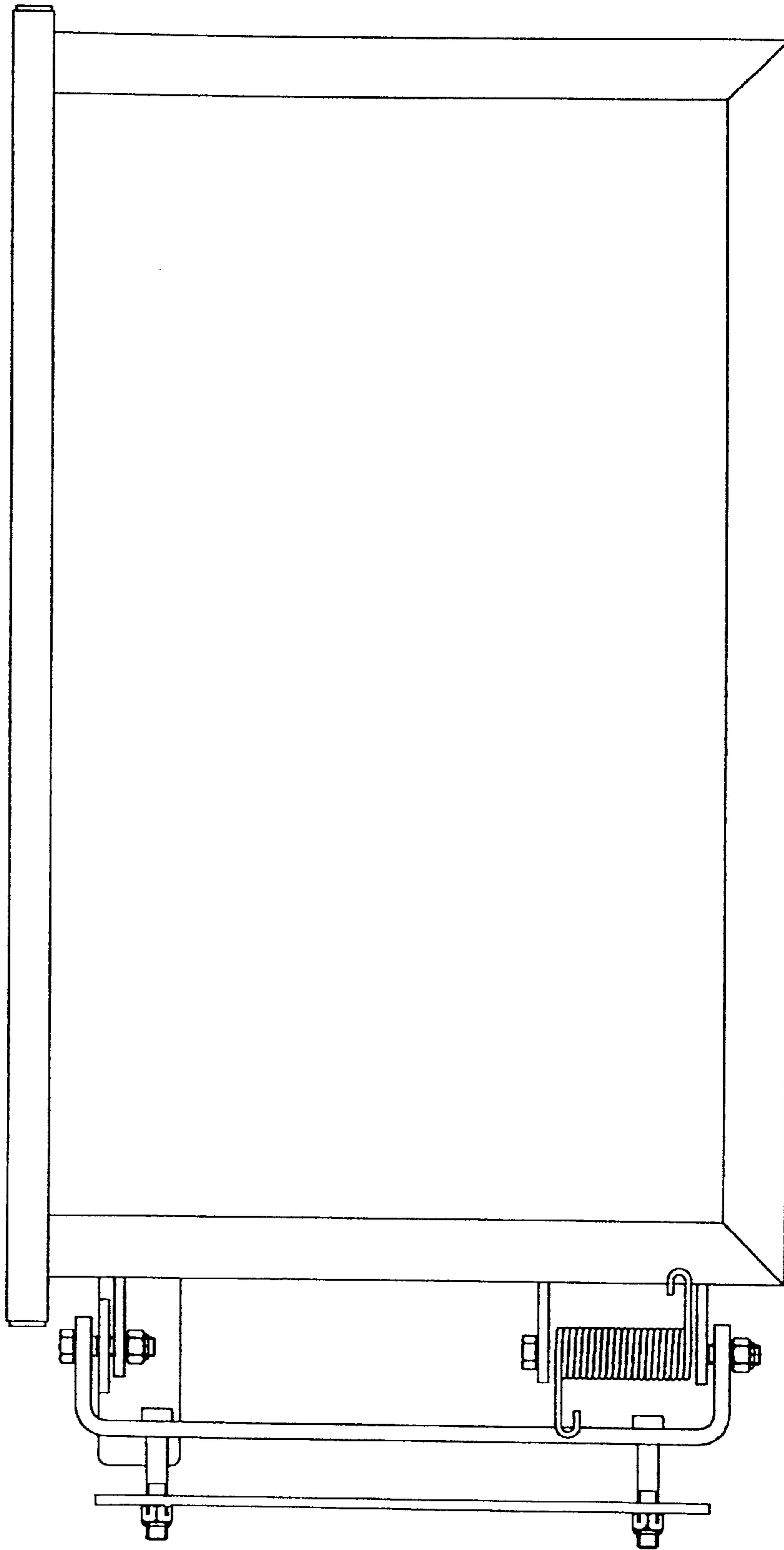


FIG. 1

FIG. 2



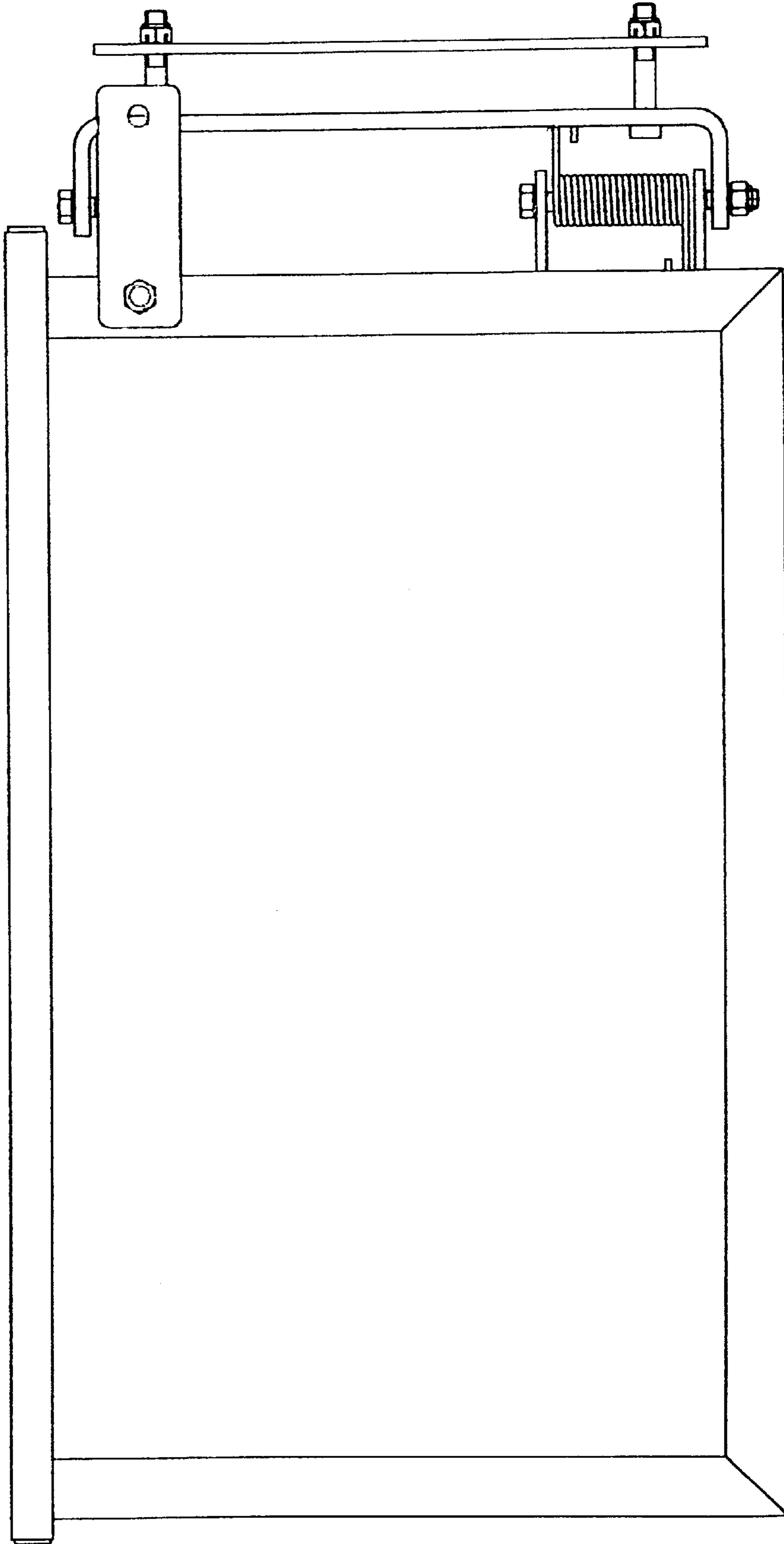


FIG. 3

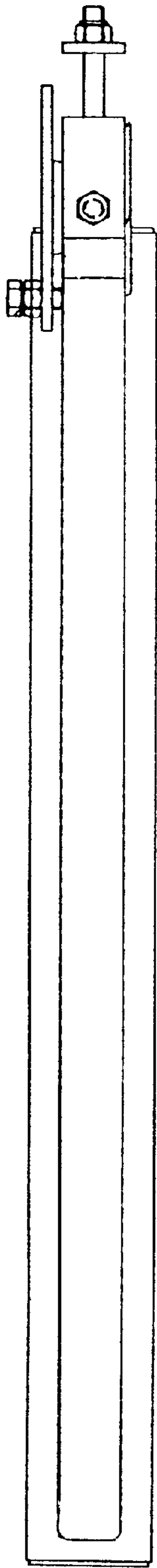


FIG. 4

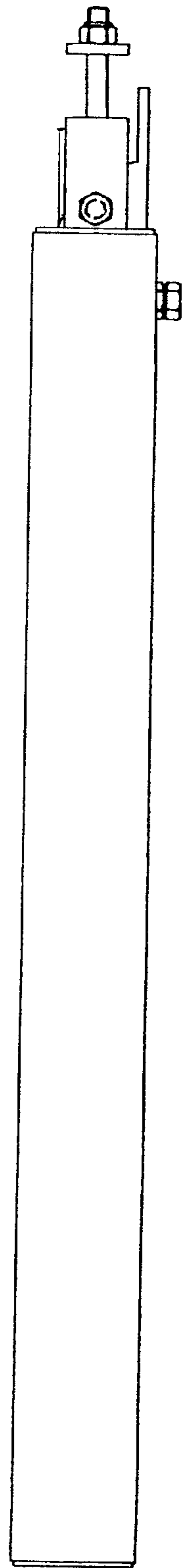


FIG. 5

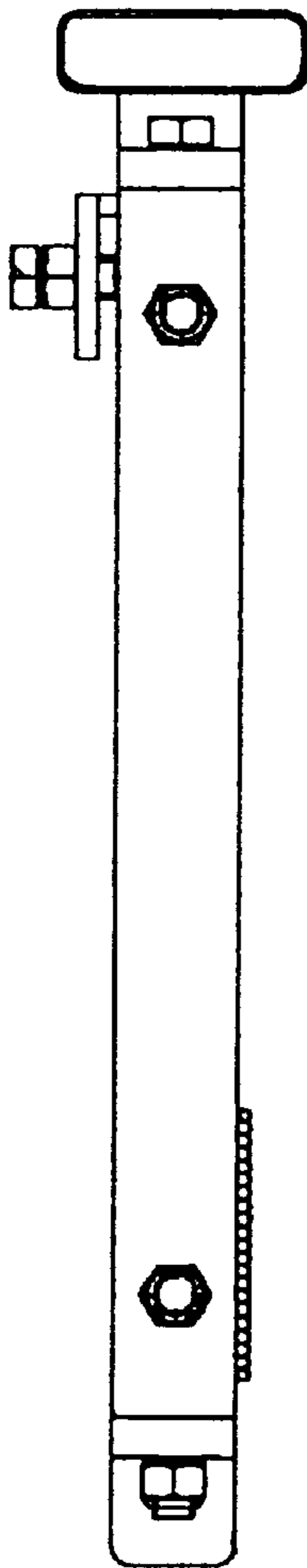


FIG. 6

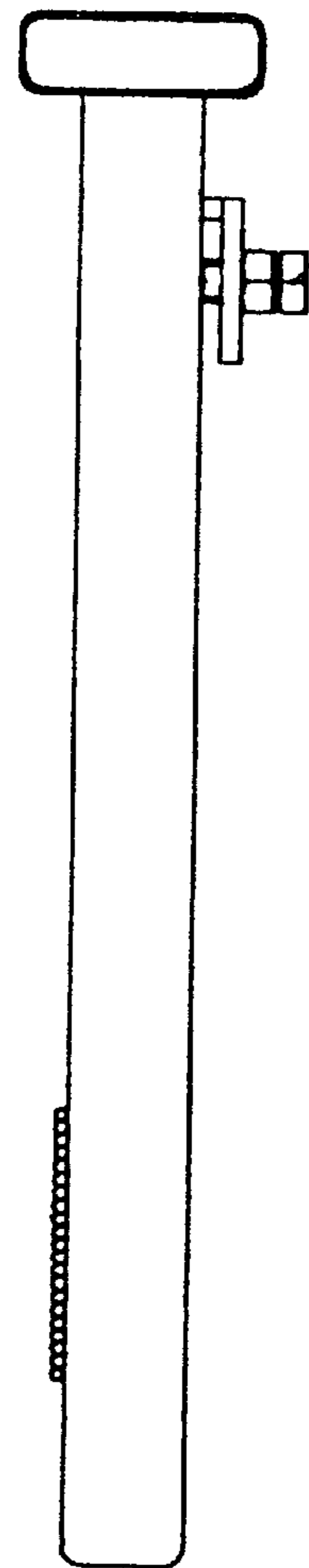


FIG. 7