



US00D485910S

(12) **United States Design Patent**
Chan

(10) **Patent No.:** **US D485,910 S**

(45) **Date of Patent:** **** Jan. 27, 2004**

(54) **MASSAGER WITH PILL CONTAINER**

D426,311 S * 6/2000 Horowitz et al. D24/215
D454,959 S * 3/2002 Harris et al. D24/215

(75) Inventor: **Wai-Yee Chan**, New Territories (CN)

* cited by examiner

(73) Assignee: **Winkler Industrial Co., Ltd.**, New Territories (CN)

Primary Examiner—Stella Reid

(74) *Attorney, Agent, or Firm*—Alix, Yale & Ristas, LLP

(**) Term: **14 Years**

(57) **CLAIM**

(21) Appl. No.: **29/180,384**

The ornamental design for a massager with pill container, as shown and described.

(22) Filed: **Apr. 23, 2003**

DESCRIPTION

(51) **LOC (7) Cl.** **28-03**

(52) **U.S. Cl.** **D24/215**

(58) **Field of Search** D24/200, 214,
D24/215; 601/48, 46, 67, 70, 72, 84, 85,
87; D3/201, 203

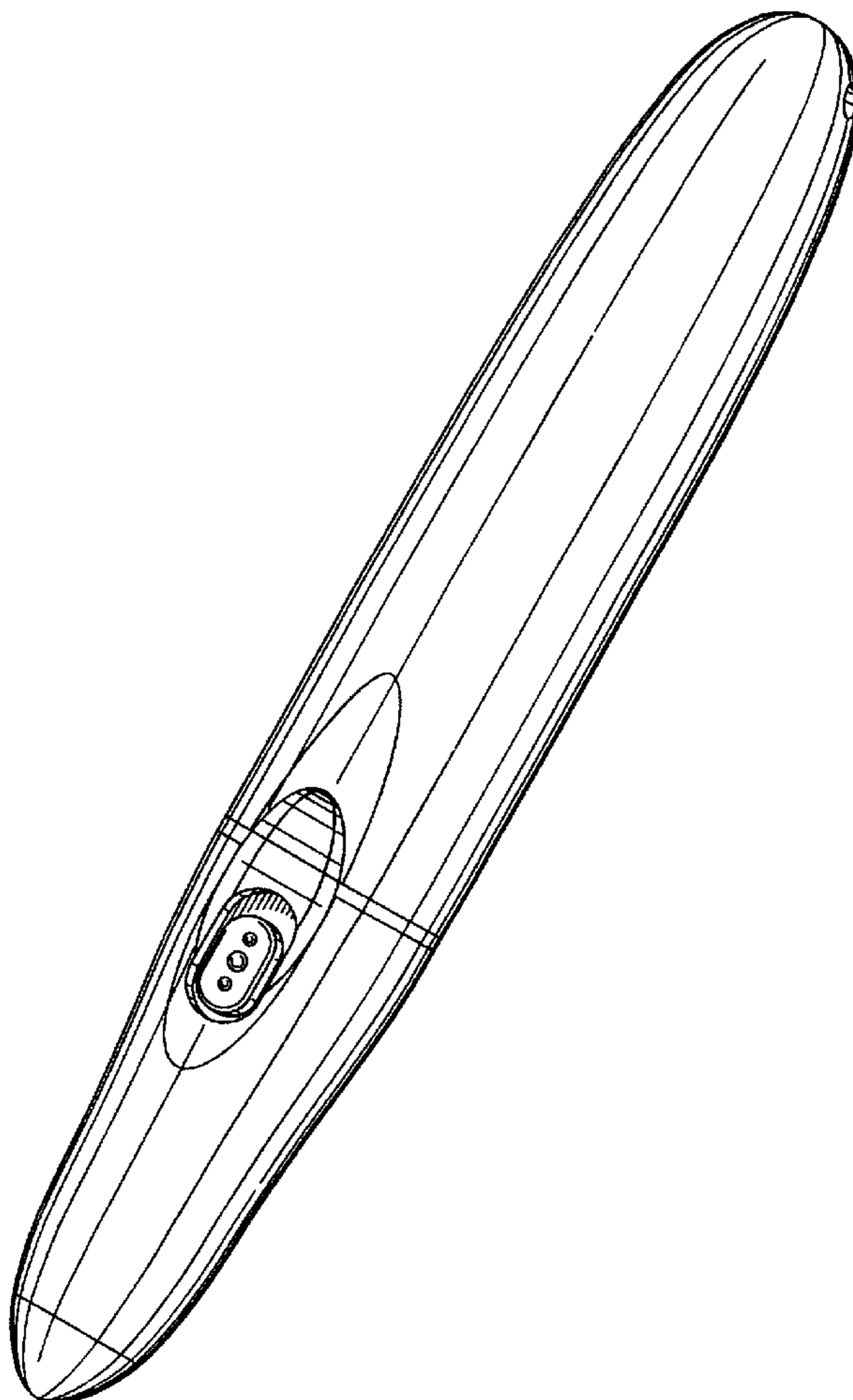
FIG. 1 is a front perspective view of a massager with pill container showing my new design;
FIG. 2 is a front elevational view thereof;
FIG. 3 is a left side elevational view thereof;
FIG. 4 is a right side elevational view thereof;
FIG. 5 is a rear elevational view thereof;
FIG. 6 is a top plan view thereof; and,
FIG. 7 is a bottom plan view thereof.

(56) **References Cited**

U.S. PATENT DOCUMENTS

D210,922 S * 4/1968 Tavel D24/214
D338,070 S * 8/1993 Lam D24/214

1 Claim, 2 Drawing Sheets



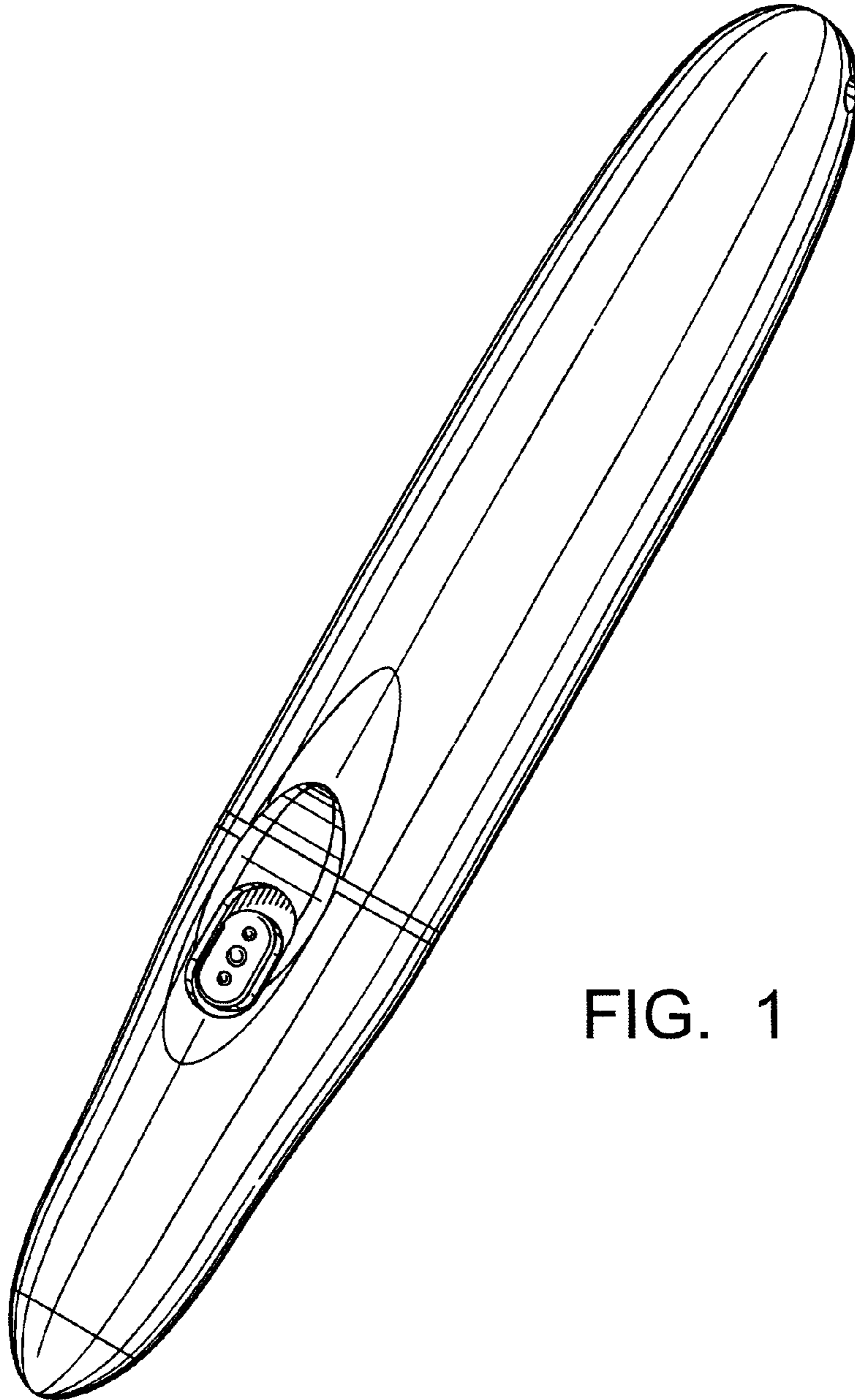


FIG. 1

FIG. 6

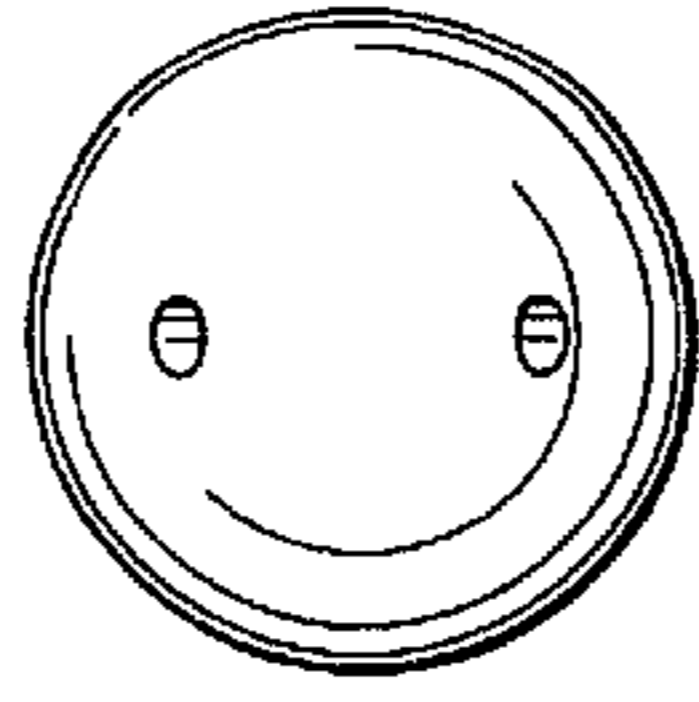


FIG. 7

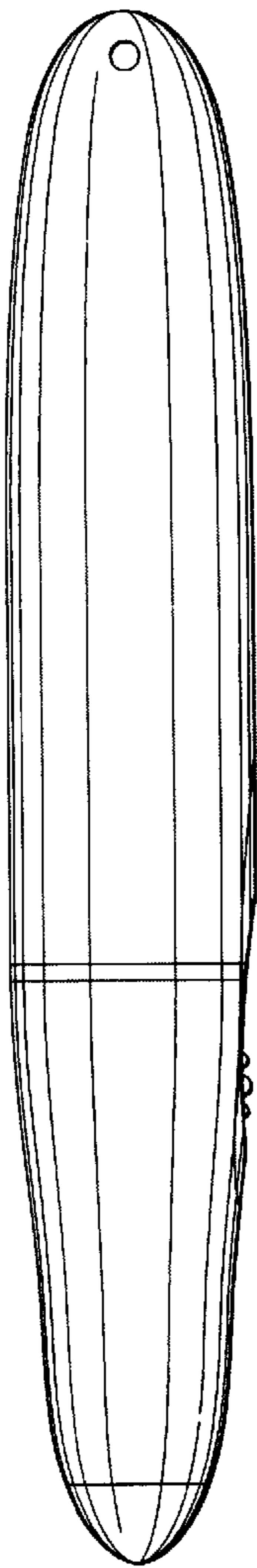
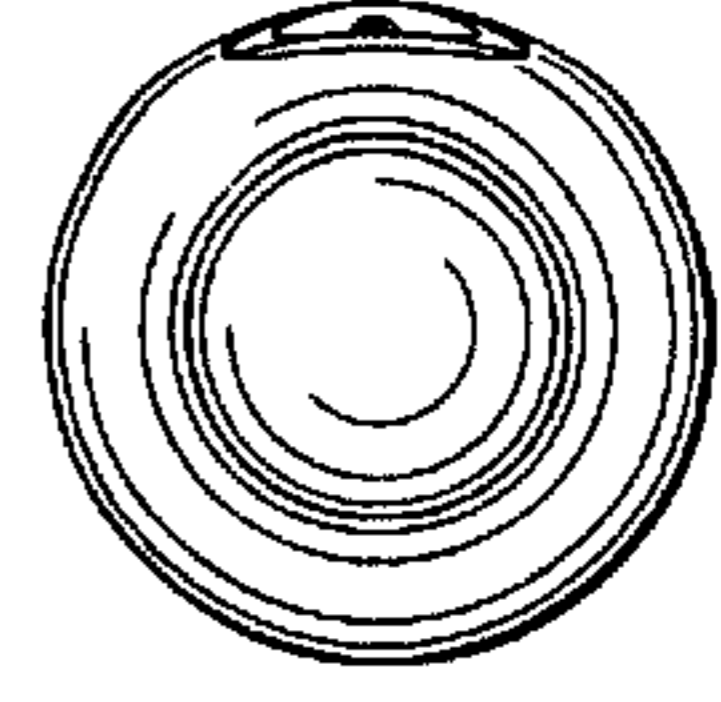


FIG. 3

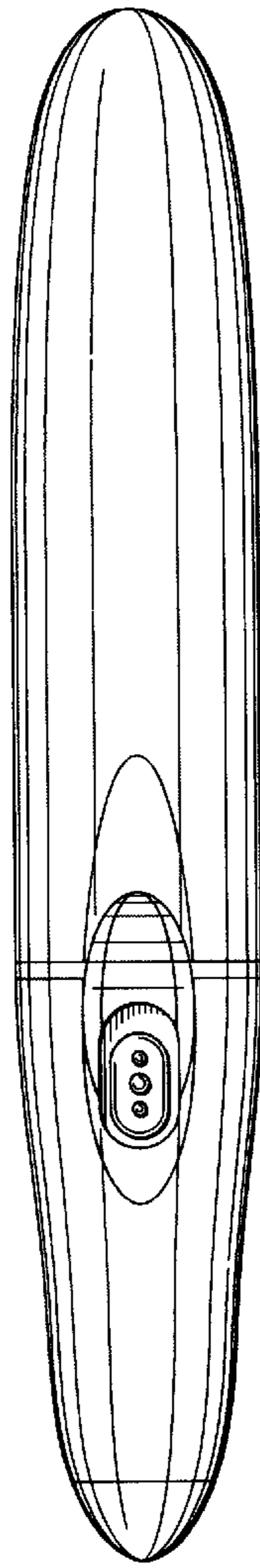


FIG. 2

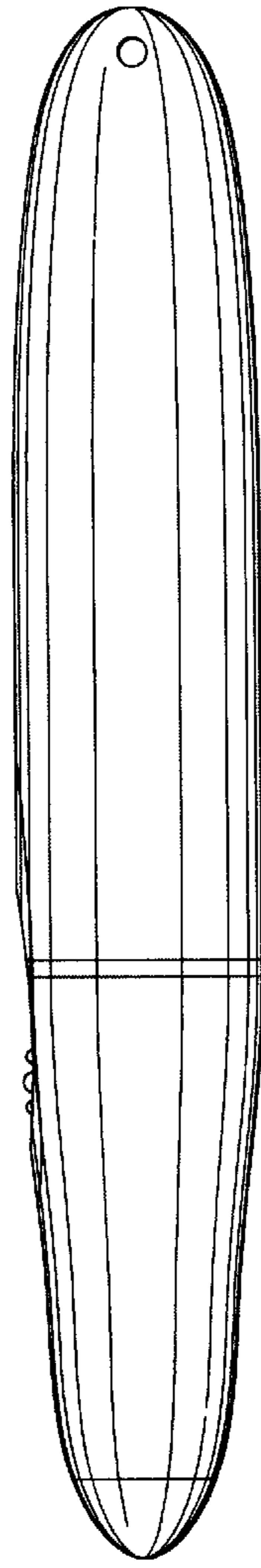


FIG. 4

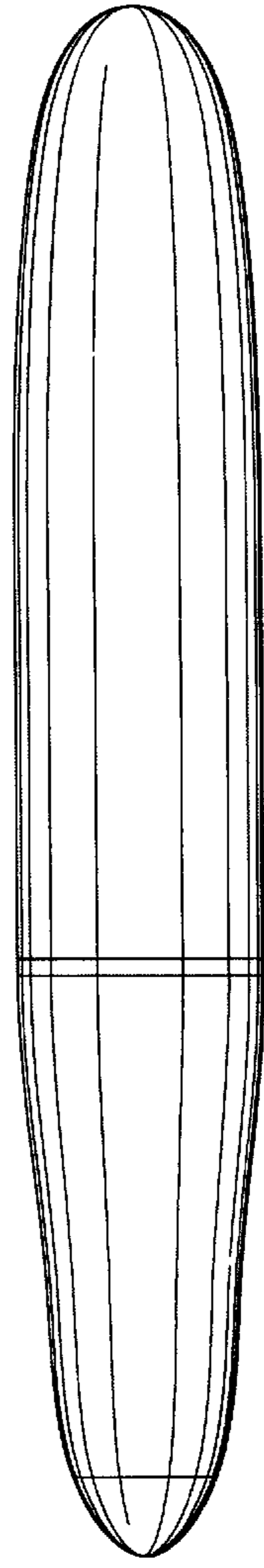


FIG. 5