



US00D485909S

(12) **United States Design Patent**
White et al.

(10) **Patent No.:** **US D485,909 S**

(45) **Date of Patent:** **** Jan. 27, 2004**

(54) **CLOSURE PLATE FOR A PELVIC BINDER**

(75) Inventors: **Leslie D. White**, Dallas, TX (US);
Michael W. Freitas, Colleyville, TX (US)

(73) Assignee: **PelvicBinder, Inc.**, Dallas, TX (US)

(**) Term: **14 Years**

(21) Appl. No.: **29/168,466**

(22) Filed: **Oct. 2, 2002**

(51) **LOC (7) Cl.** **24-04**

(52) **U.S. Cl.** **D24/190**

(58) **Field of Search** D24/190; 602/19;
128/96.1, 99.1, 100.1

(56) **References Cited**

U.S. PATENT DOCUMENTS

2,554,337 A 5/1951 Lampert
4,463,750 A 8/1984 Borschneck
4,574,789 A 3/1986 Forster

4,884,562 A 12/1989 Stone

5,062,414 A 11/1991 Grim

5,226,874 A 7/1993 Heinz et al.

5,346,461 A 9/1994 Heinz et al.

RE35,940 E 10/1998 Heinz et al.

Primary Examiner—Stella Reid

(74) *Attorney, Agent, or Firm*—Howison & Arnott, L.L.P.

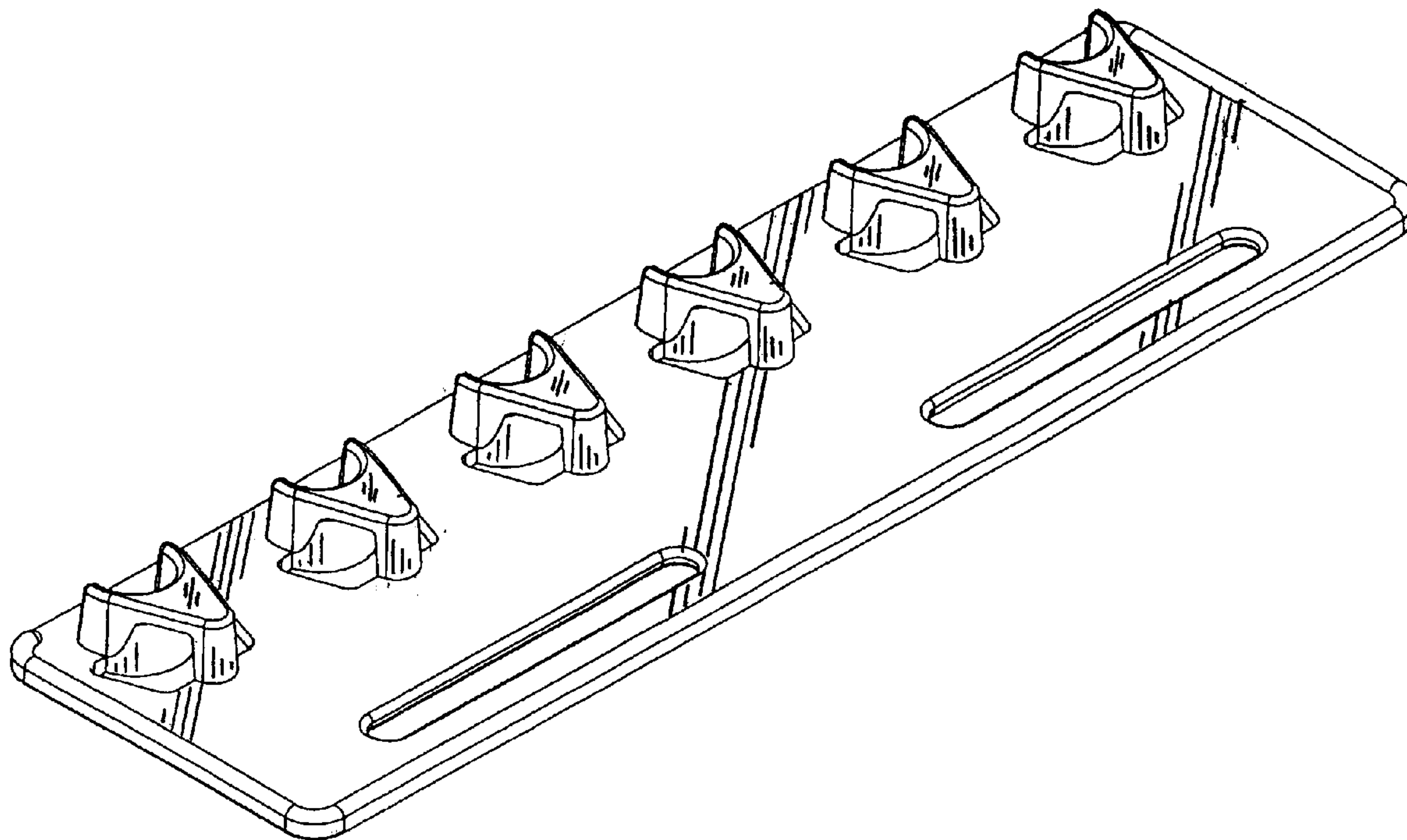
(57) **CLAIM**

The ornamental design for a closure plate for a pelvic binder, as shown and described.

DESCRIPTION

FIG. 1 is a top side perspective view of a closure plate for a pelvic binder, showing our new design; FIG. 2 is a bottom perspective view thereof; FIG. 3 is a top plan view thereof; FIG. 4 is a front elevational view thereof; FIG. 5 is a bottom plan view thereof; and, FIG. 6 is a side elevational view thereof, the opposite side elevational view being a mirror image.

1 Claim, 2 Drawing Sheets



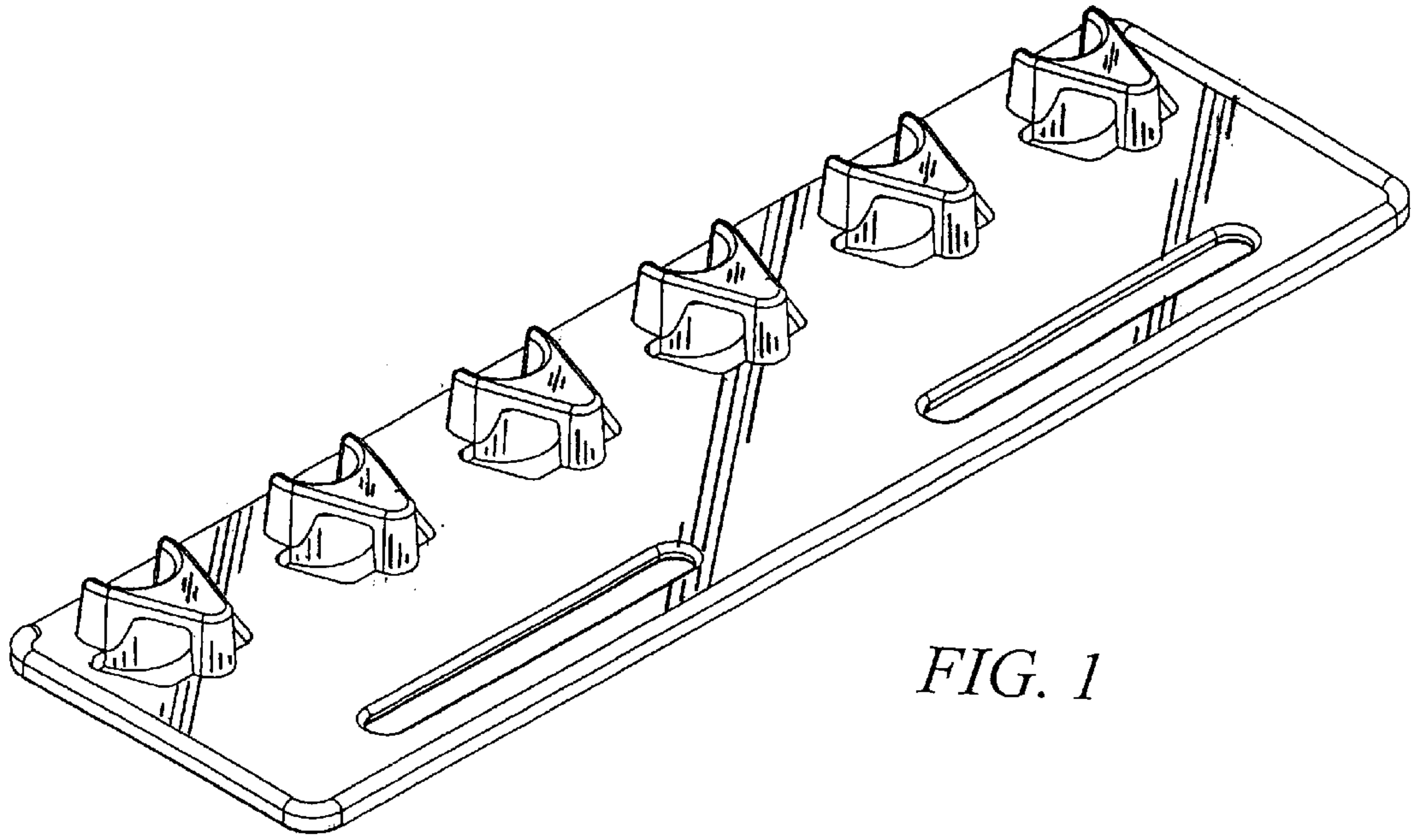


FIG. 1

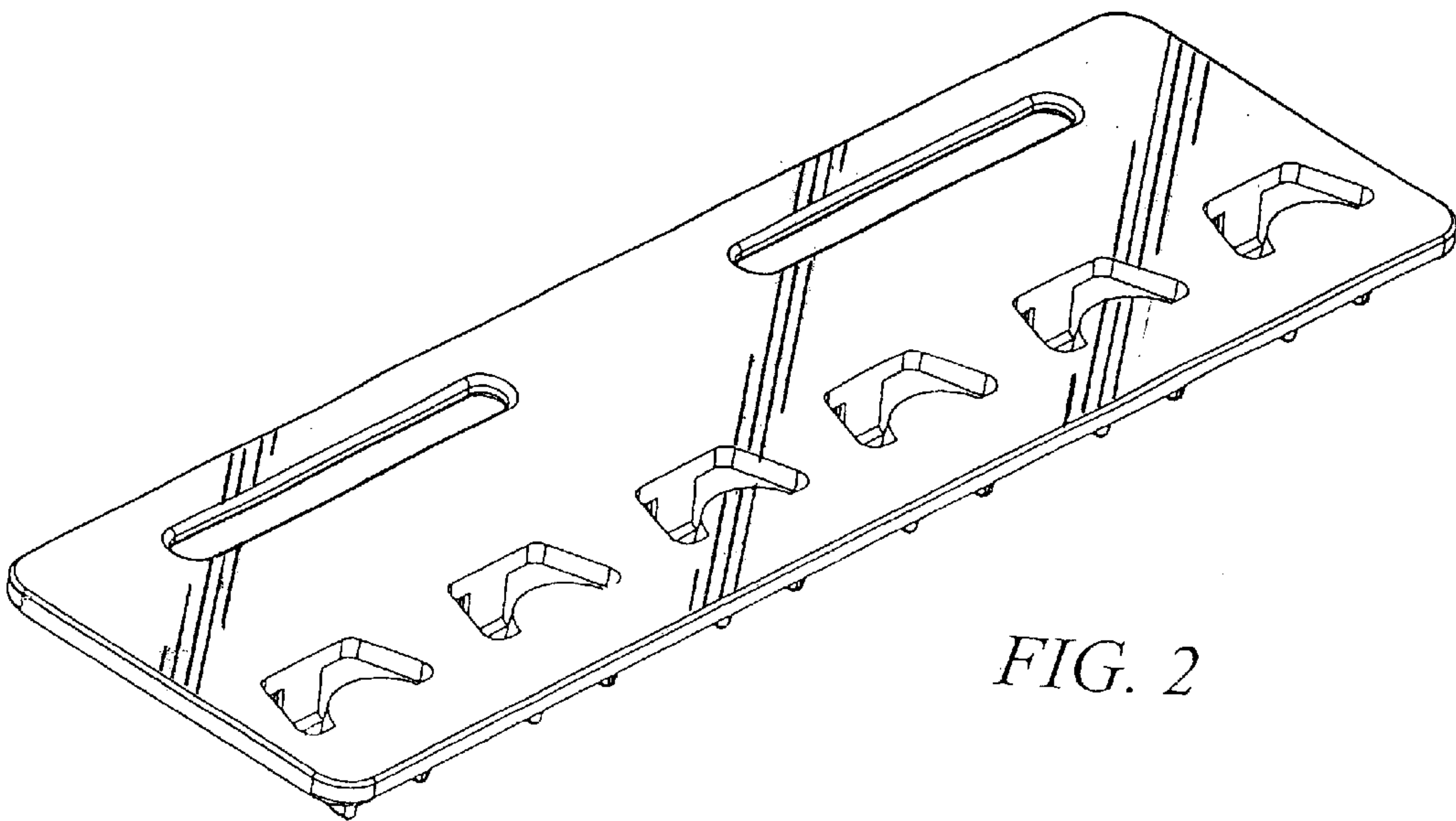


FIG. 2

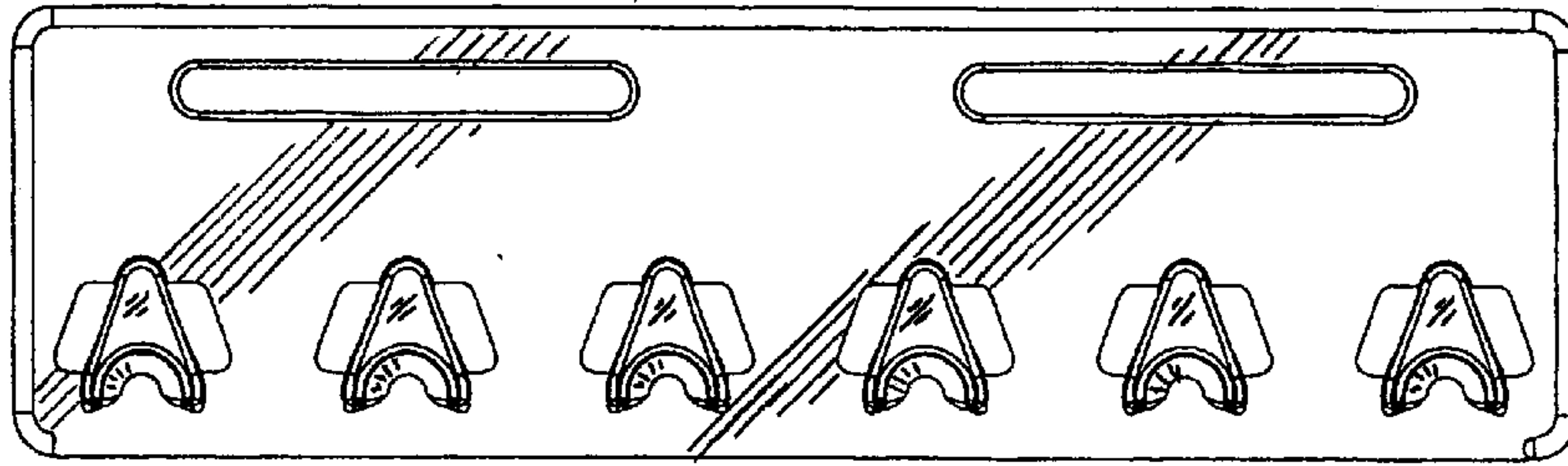


FIG. 3



FIG. 4



FIG. 6

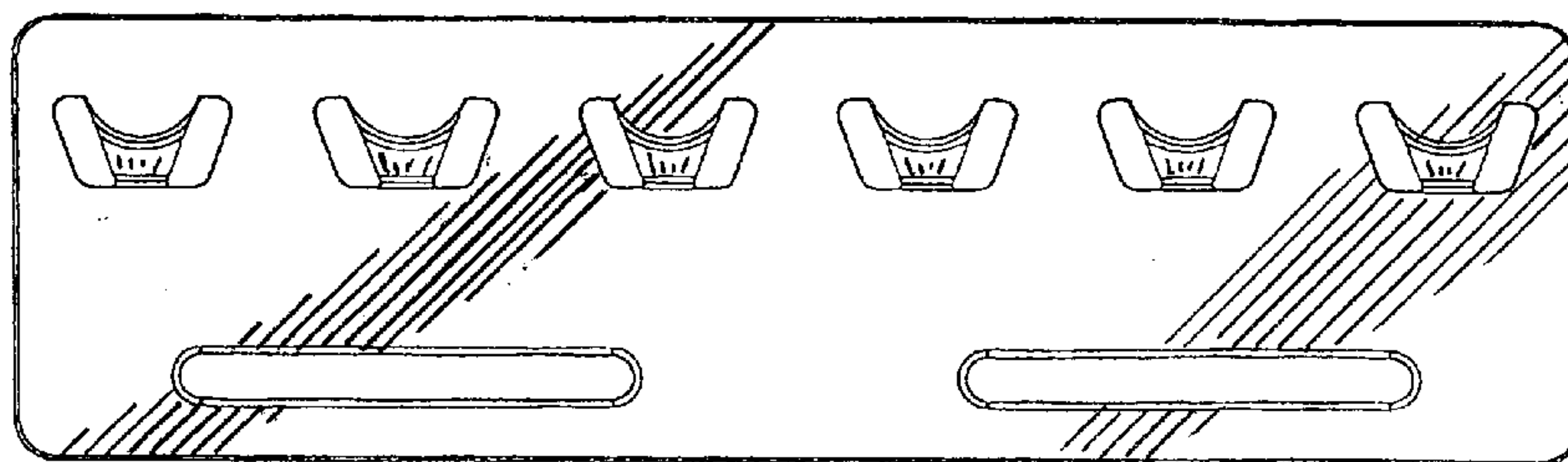


FIG. 5