



US00D485906S

(12) **United States Design Patent**
Danssaert et al.

(10) **Patent No.:** **US D485,906 S**
(45) **Date of Patent:** **** Jan. 27, 2004**

(54) **SHARPS DISPOSAL CONTAINER**

(75) Inventors: **John Danssaert**, Solana Beach, CA
(US); **Ken Stark**, San Marcos, CA (US)

(73) Assignee: **Becton Dickinson and Company**,
Franklin Lakes, NJ (US)

(**) Term: **14 Years**

(21) Appl. No.: **29/172,656**

(22) Filed: **Dec. 16, 2002**

(51) **LOC (7) Cl.** **24-02**

(52) **U.S. Cl.** **D24/131; D34/7**

(58) **Field of Search** D24/131; D34/1,
D34/7, 8, 11; D23/53; 206/366, 369, 370,
438, 365, 364, 363; 220/909, 908, 908.3

(56) **References Cited**

U.S. PATENT DOCUMENTS

2,112,465	A	*	3/1938	Maish	220/908.3
D215,617	S	*	10/1969	Heck	D34/7
4,488,643	A	*	12/1984	Pepper	206/366
D287,897	S	*	1/1987	Hanifl	D34/1
D330,765	S	*	11/1992	Laws	D24/131
5,611,451	A	*	3/1997	Mosior et al.	206/366
D431,888	S	*	10/2000	Roudebush	D34/11

* cited by examiner

Primary Examiner—Ian Simmons

(74) *Attorney, Agent, or Firm*—Jeanne P. Lukasavage

(57) **CLAIM**

The ornamental design for a sharps disposal container, as shown and described.

DESCRIPTION

FIG. 1 is a front perspective view of the sharps disposal container;

FIG. 2 is a top plan view of the sharps disposal container of FIG. 1;

FIG. 3 is a front elevation view of the sharps disposal container of FIG. 1;

FIG. 4 is a right elevation view of the sharps disposal container of FIG. 1, the left elevation view being the mirror image thereof;

FIG. 5 is a rear elevation view of the sharps disposal container of FIG. 1;

FIG. 6 is a bottom plan view of the sharps disposal container of FIG. 1; and,

FIG. 7 is a front perspective view of the sharps disposal container of FIG. 1, showing the cap in the open position.

The broken line showing in the FIGS. 1 through 5 and 7 are for illustrative purposes only and forms no part of the claimed design.

1 Claim, 7 Drawing Sheets

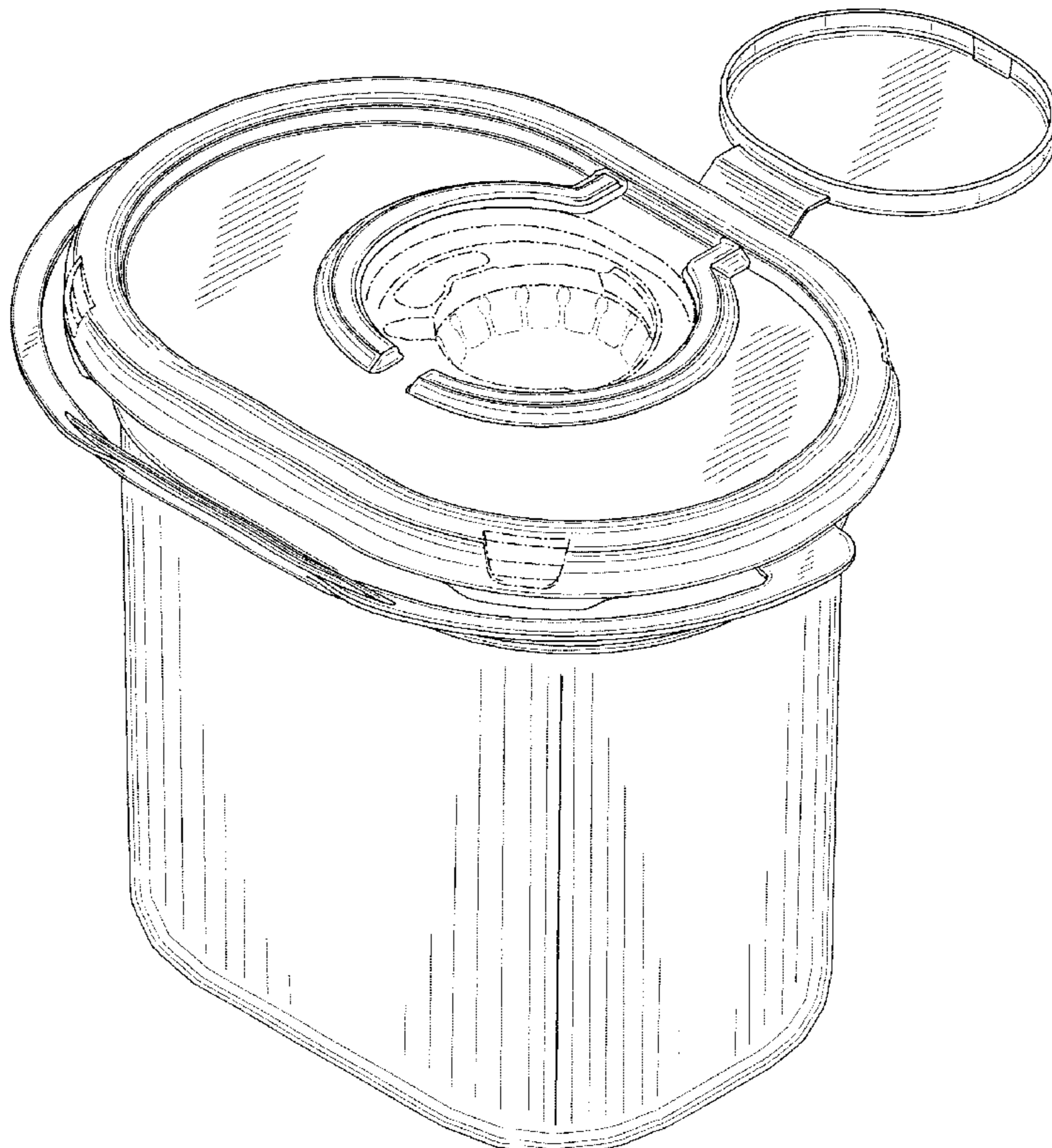


FIG. 1

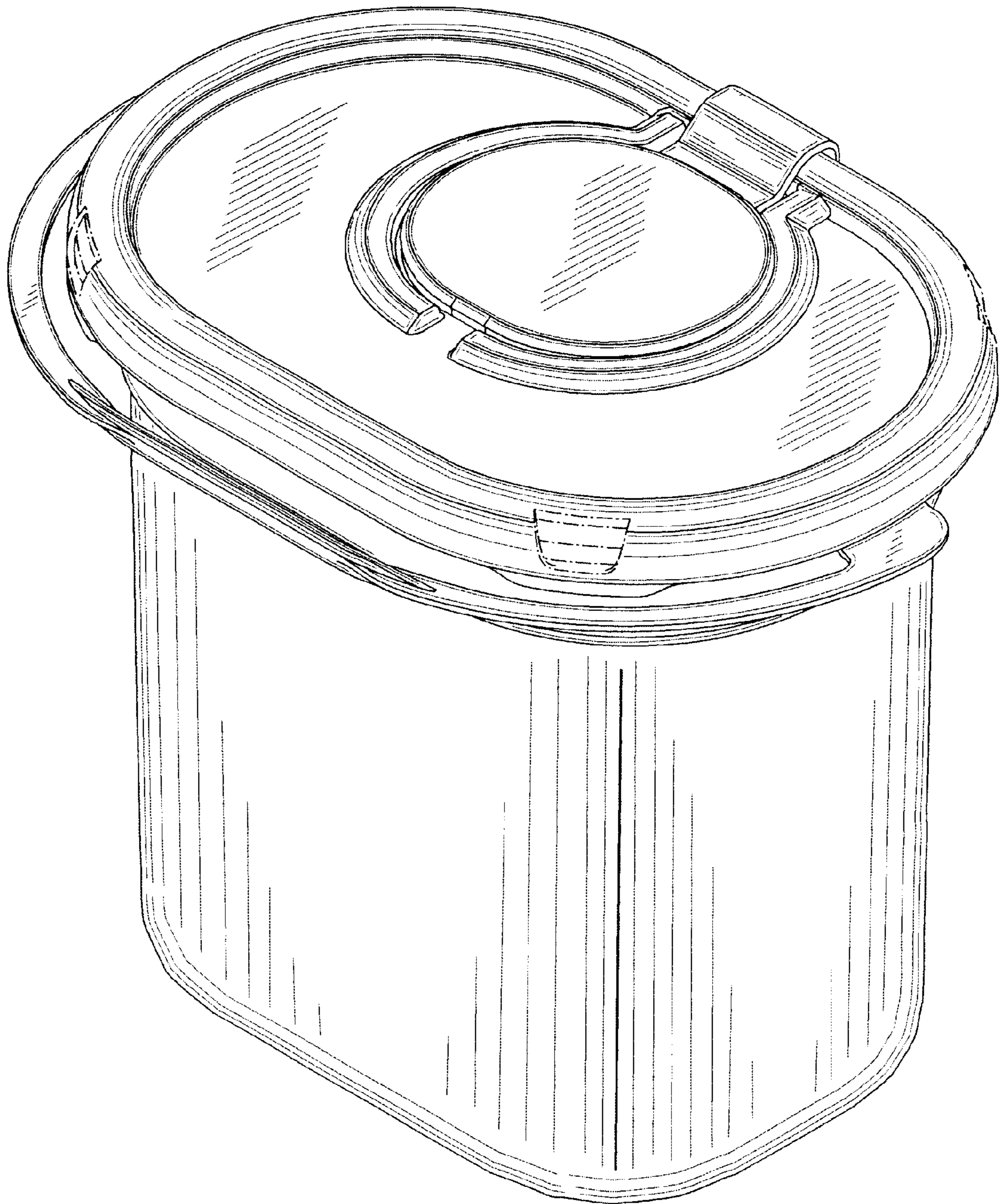


FIG. 2

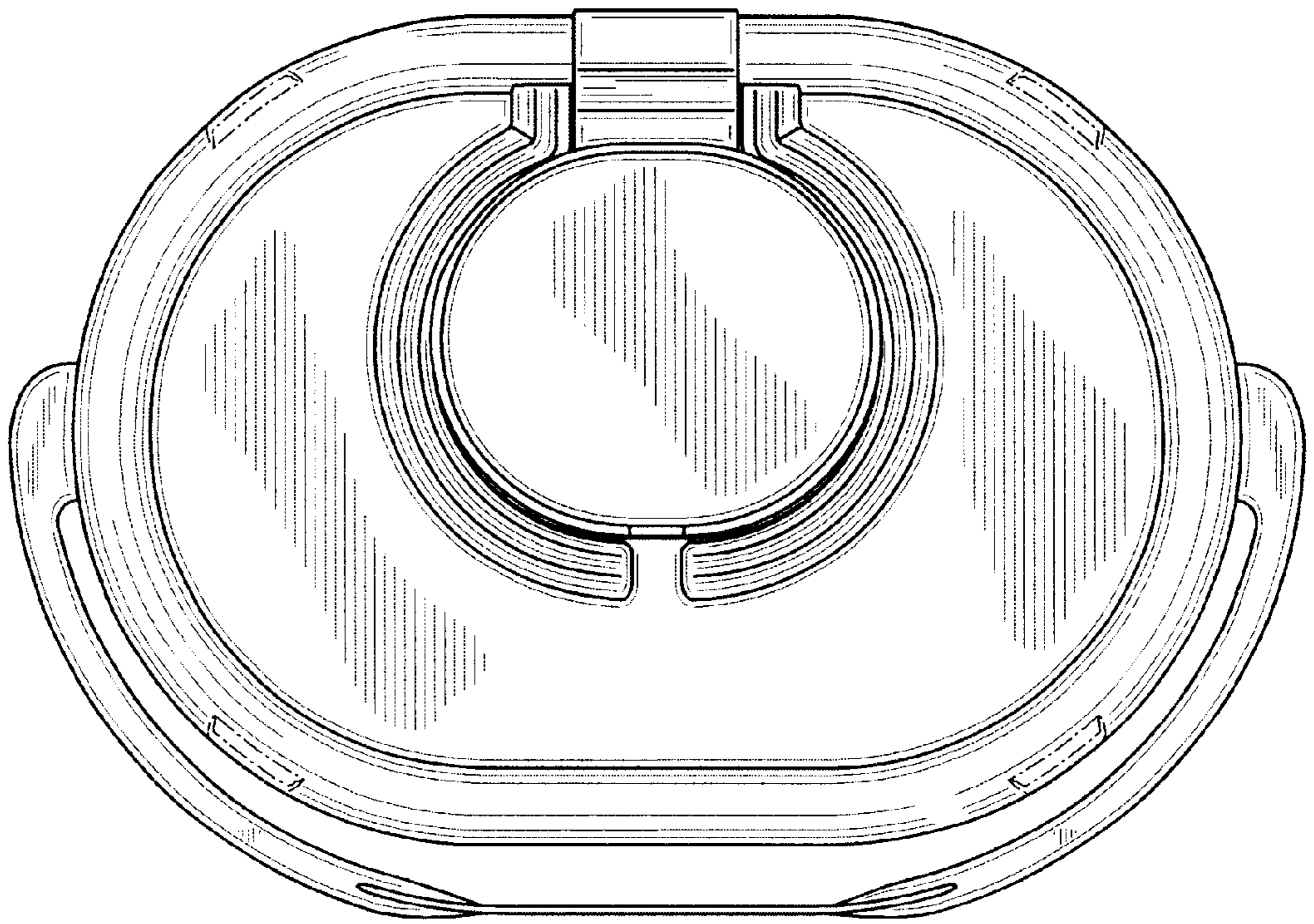


FIG. 3

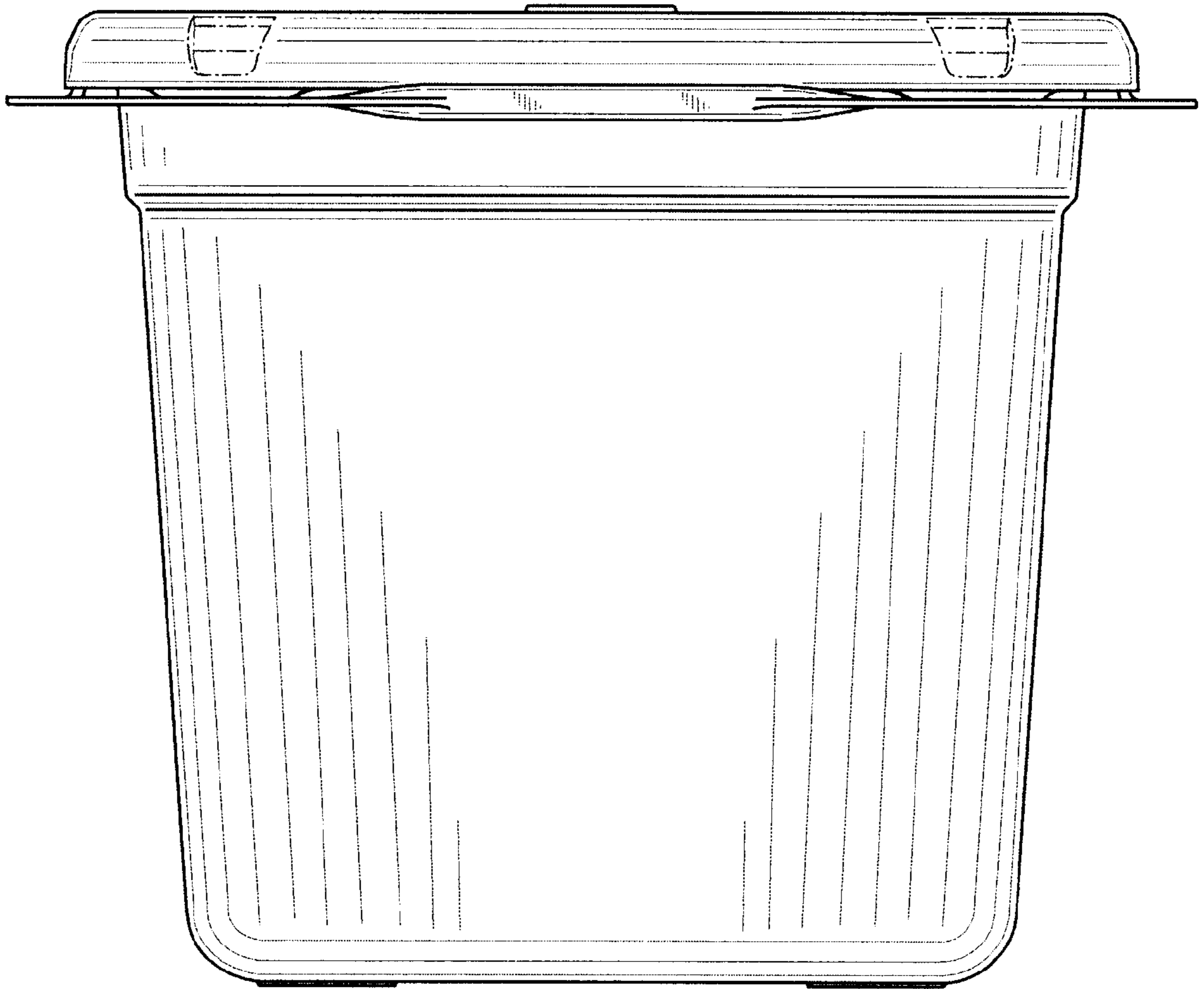


FIG. 4

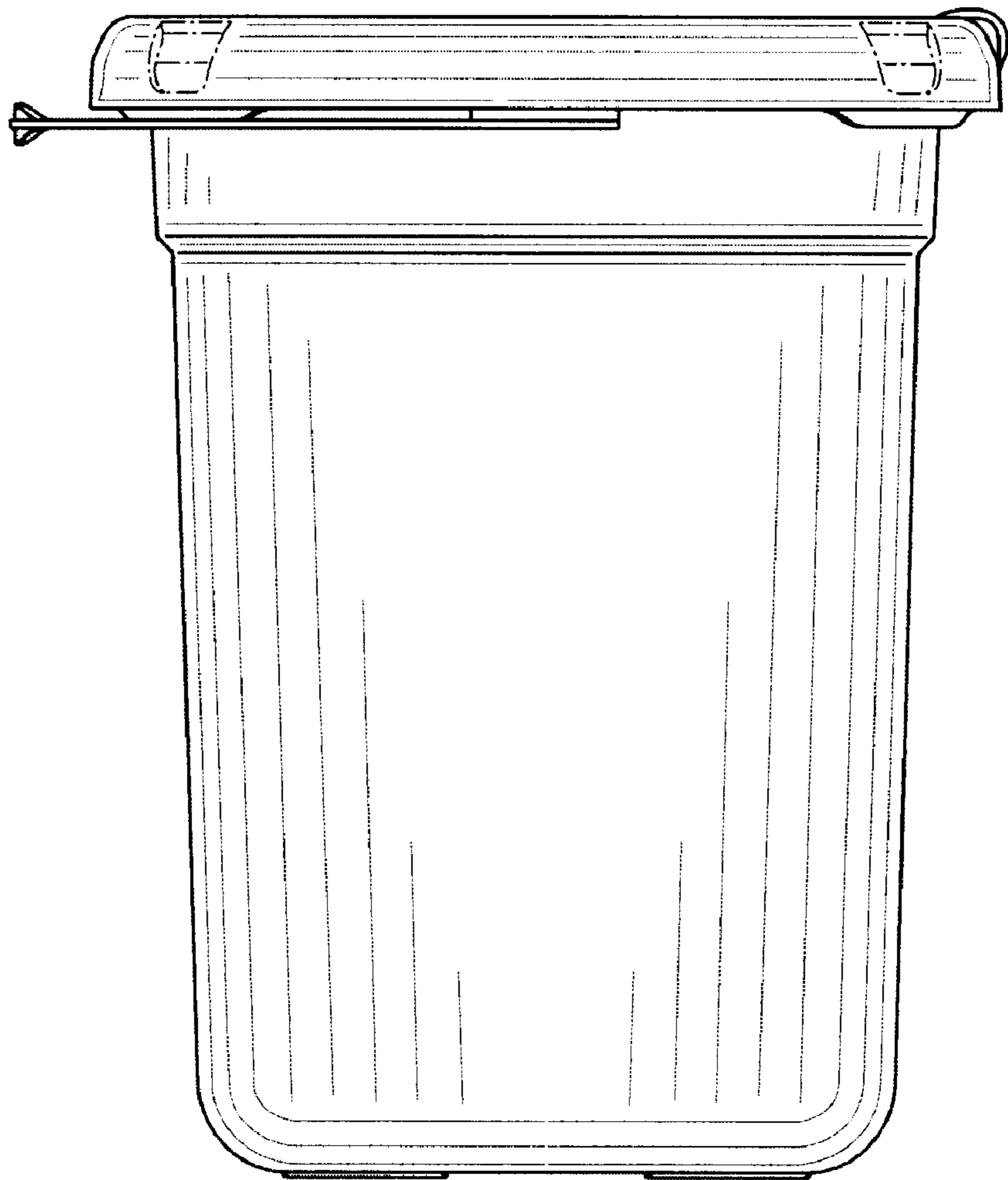


FIG. 5

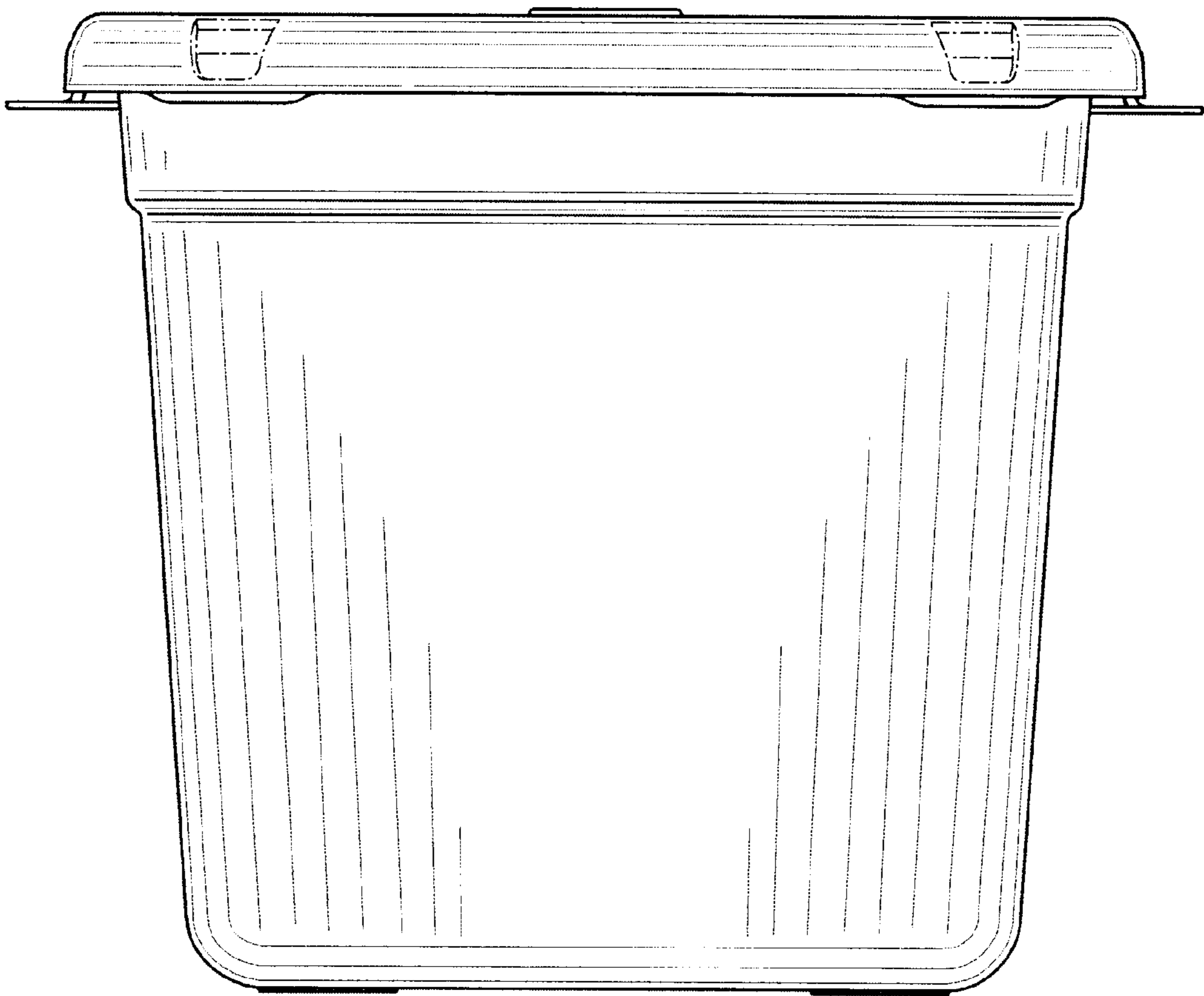


FIG. 6

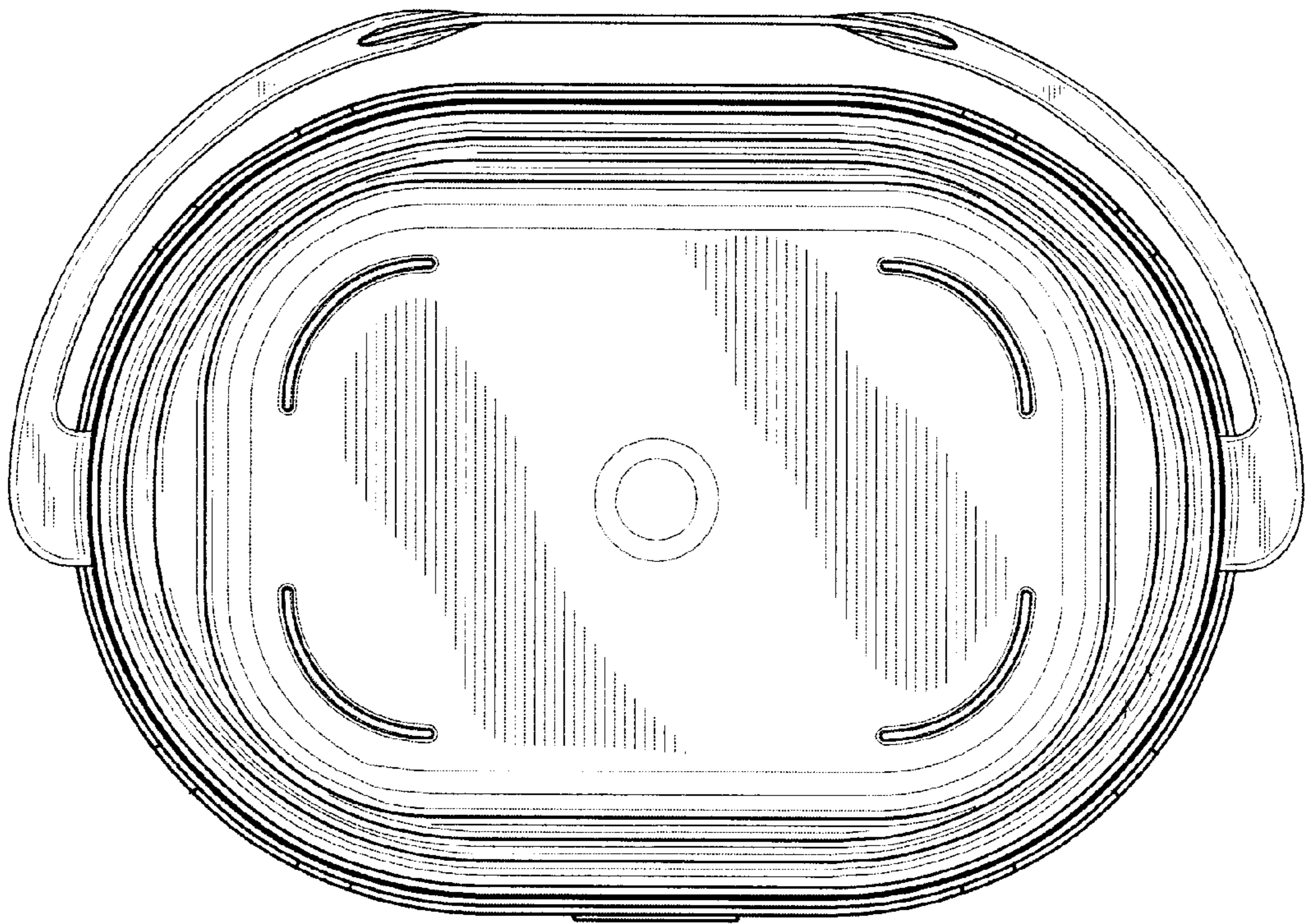


FIG. 7

