



US00D485903S

(12) **United States Design Patent**
Hsu

(10) **Patent No.:** **US D485,903 S**
(45) **Date of Patent:** **** Jan. 27, 2004**

(54) **CEILING FAN LIGHTING FIXTURE**

Primary Examiner—Lisa Lichtenstein

(76) **Inventor:** **Nien-Fu Hsu**, P.O. Box No. 6-57,
Chung-Ho, Taipei 235 (TW)

(57) **CLAIM**

(**) **Term:** **14 Years**

The ornamental design for a ceiling fan lighting fixture, as shown and described.

(21) **Appl. No.:** **29/179,144**

DESCRIPTION

(22) **Filed:** **Apr. 7, 2003**

(51) **LOC (7) Cl.** **23-04**

(52) **U.S. Cl.** **D23/411**

(58) **Field of Search** D23/411, 377,
D23/379, 385; D26/59, 72, 81-86; 416/5;
362/96

FIG. 1 is a perspective view thereof;
FIG. 2 is a front view thereof;
FIG. 3 is a back view thereof;
FIG. 4 is a left side view thereof;
FIG. 5 is a right side view thereof;
FIG. 6 is a top view thereof; and
FIG. 7 is a bottom view thereof; and,
FIG. 8 is a perspective view showing a ceiling fan lighting fixture is being assembled for illustrative purpose.
The broken line showing of environmental structure in FIG. 8 is for illustrative purposes only and forms no part of the claimed design.

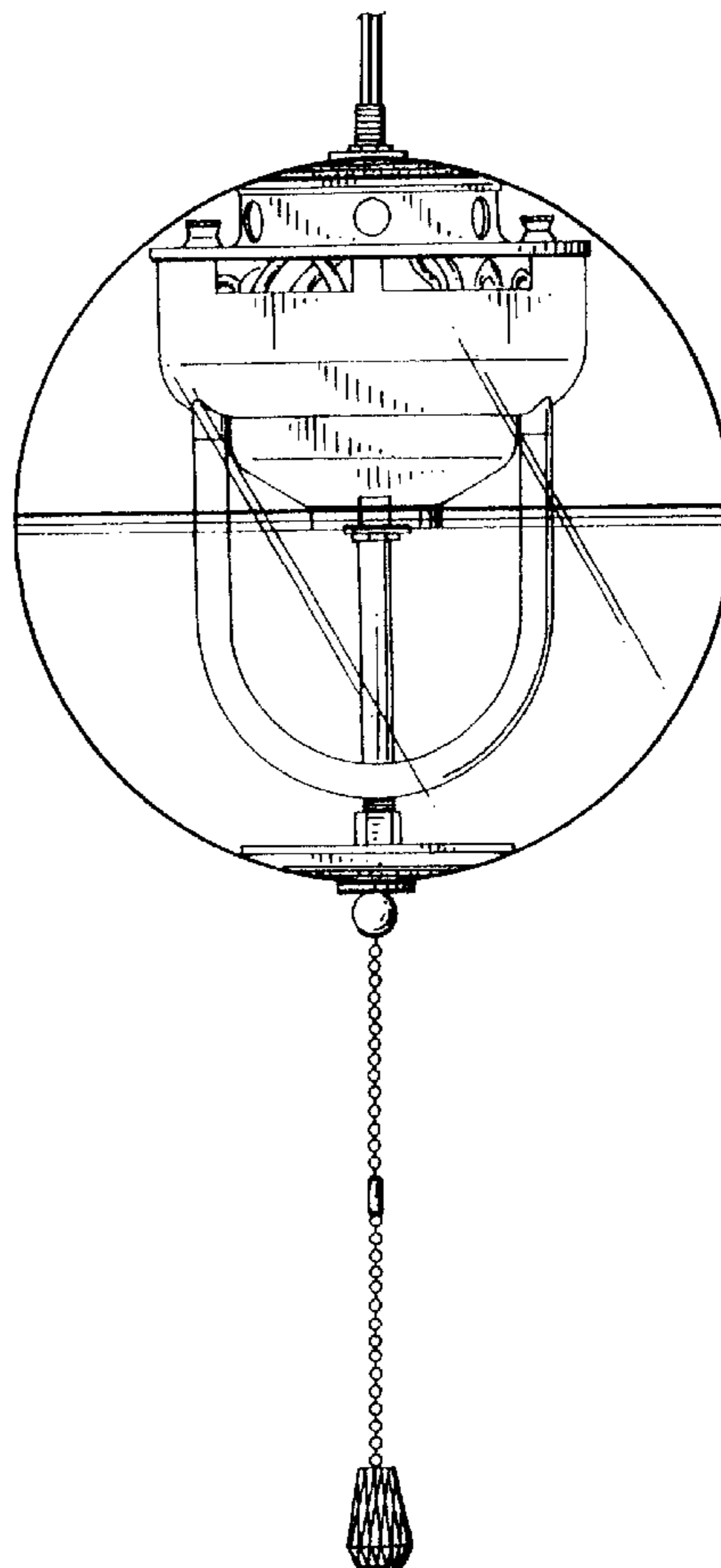
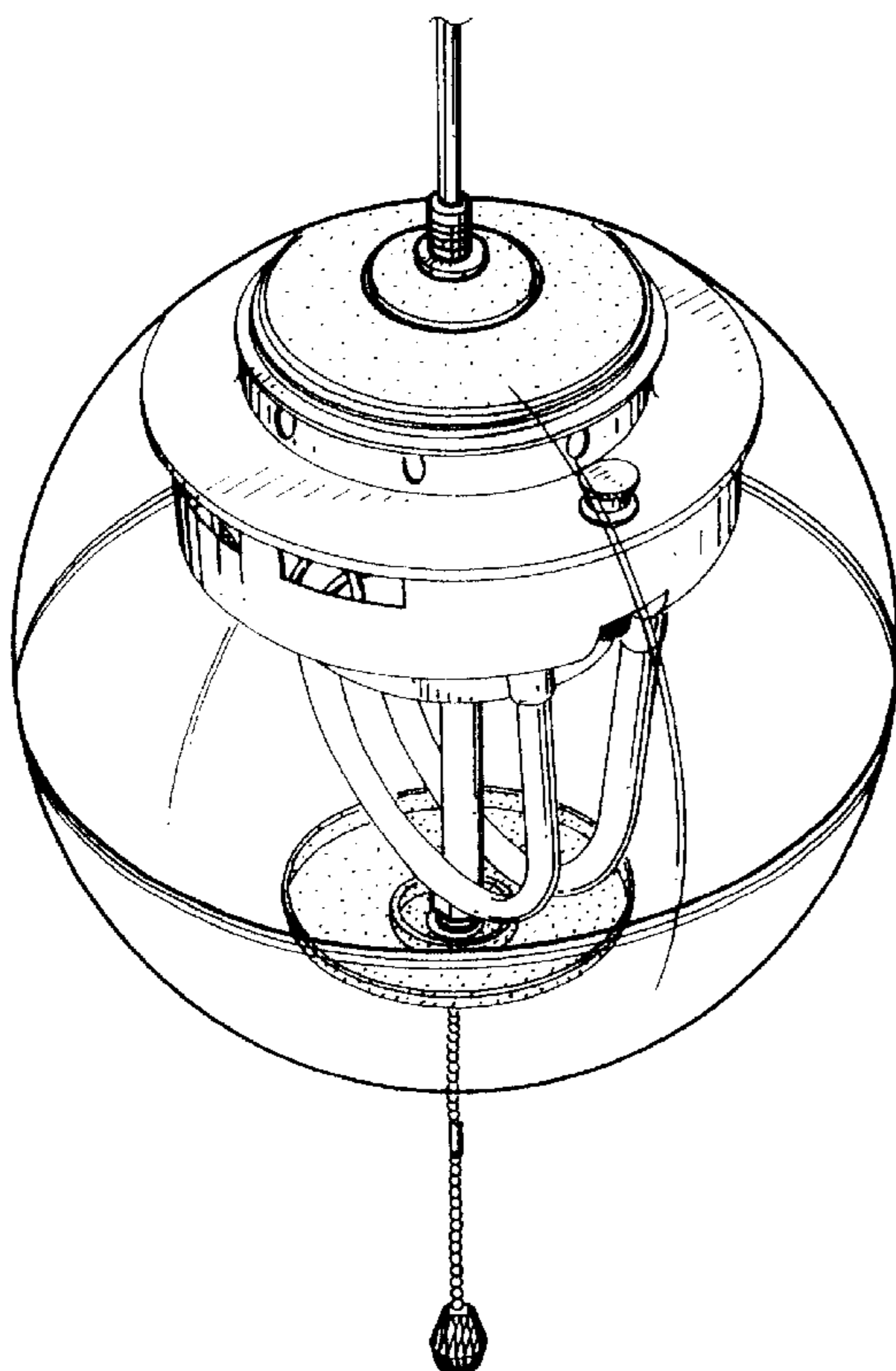
(56) **References Cited**

U.S. PATENT DOCUMENTS

- 5,302,083 A * 4/1994 Bucher et al. 416/5
- D422,072 S * 3/2000 Blateri D23/377
- D428,982 S * 8/2000 Oldenburg D23/377

* cited by examiner

1 Claim, 7 Drawing Sheets



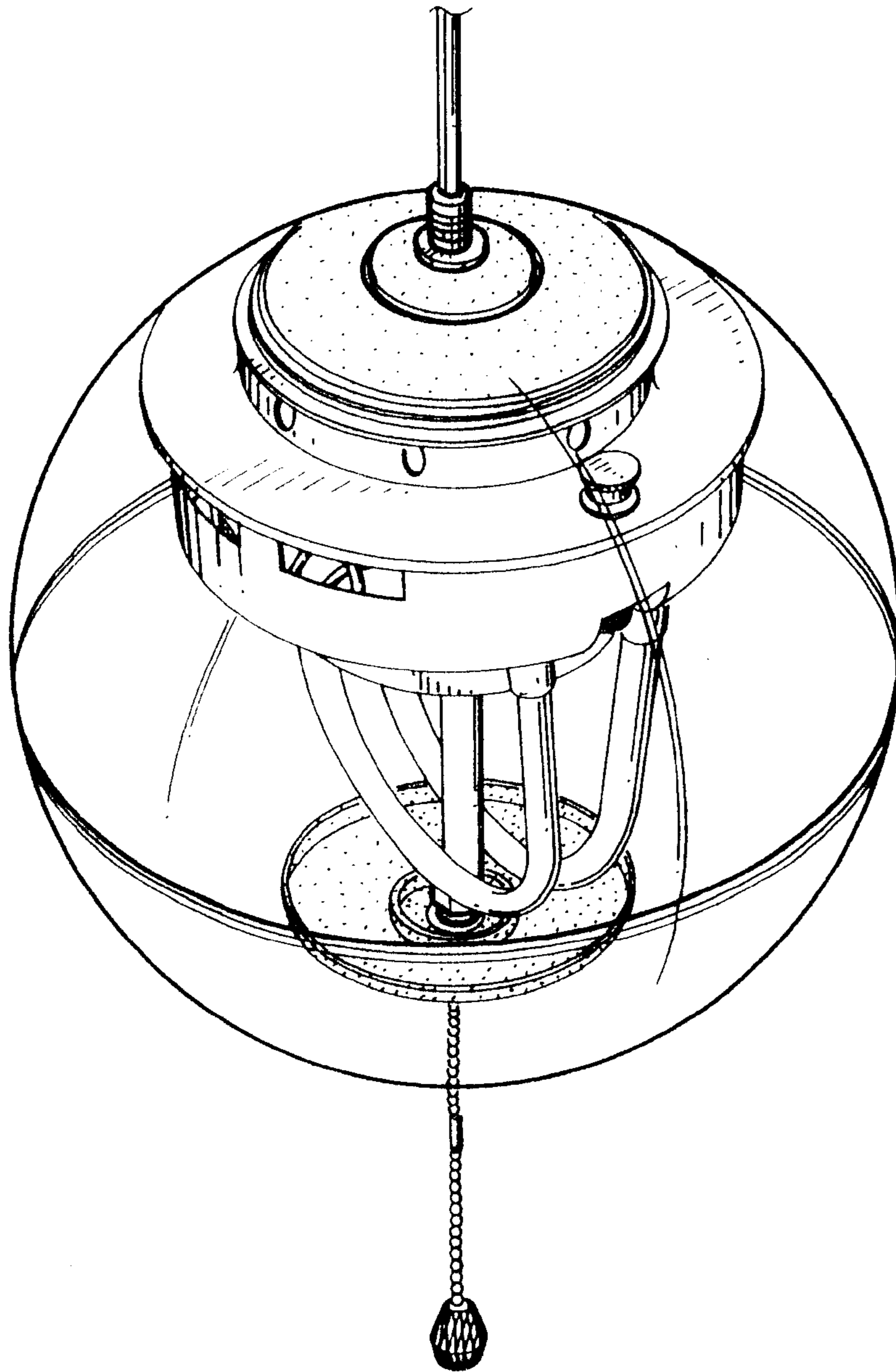


FIG. 1

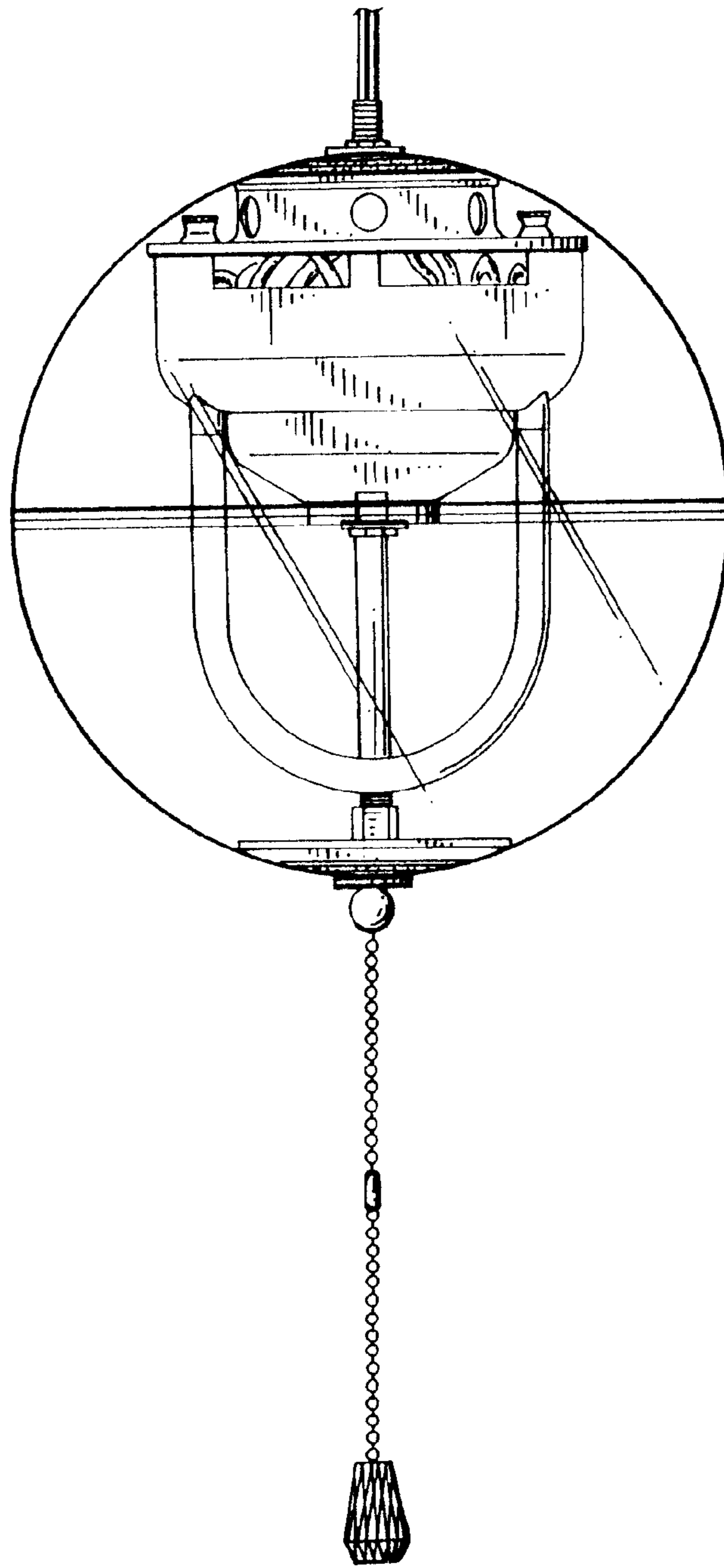


FIG. 2

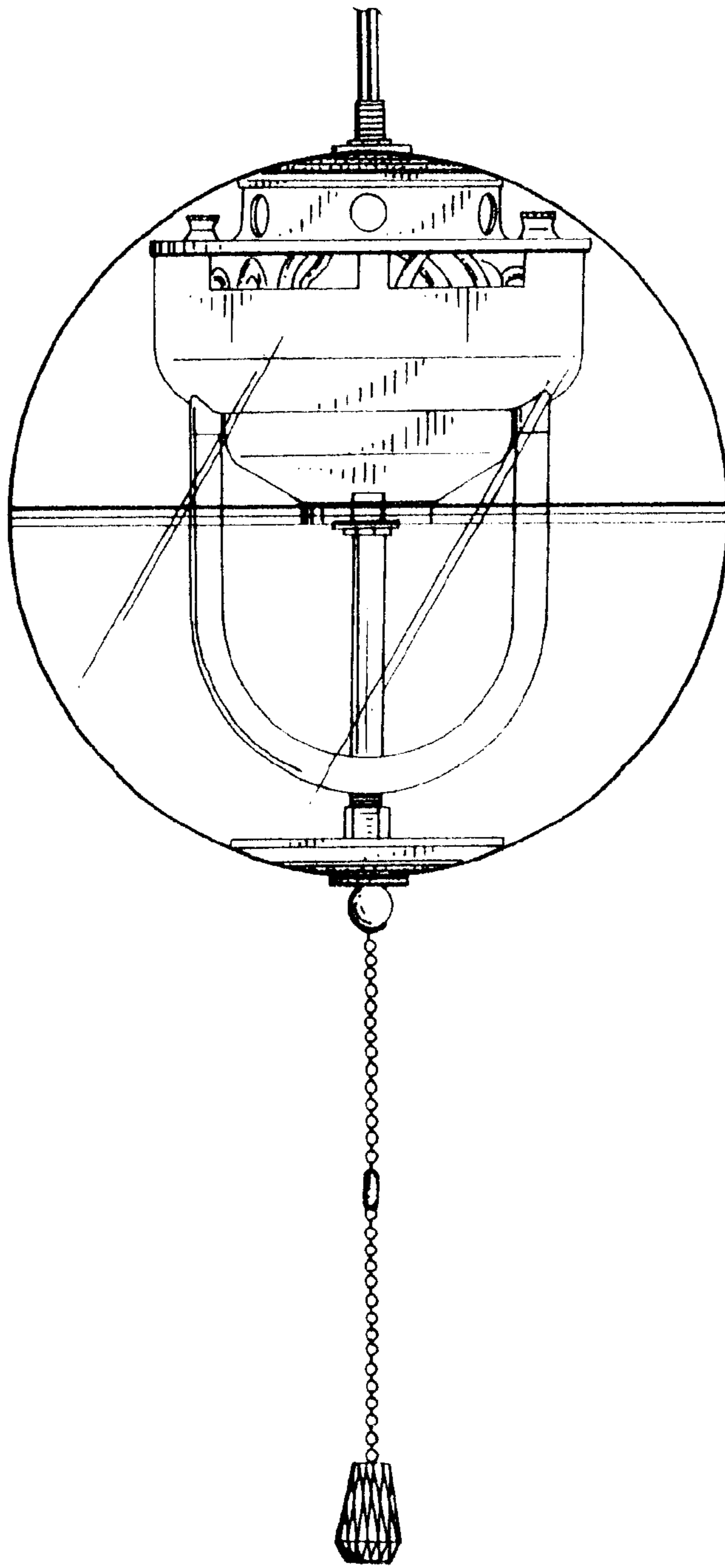


FIG.3

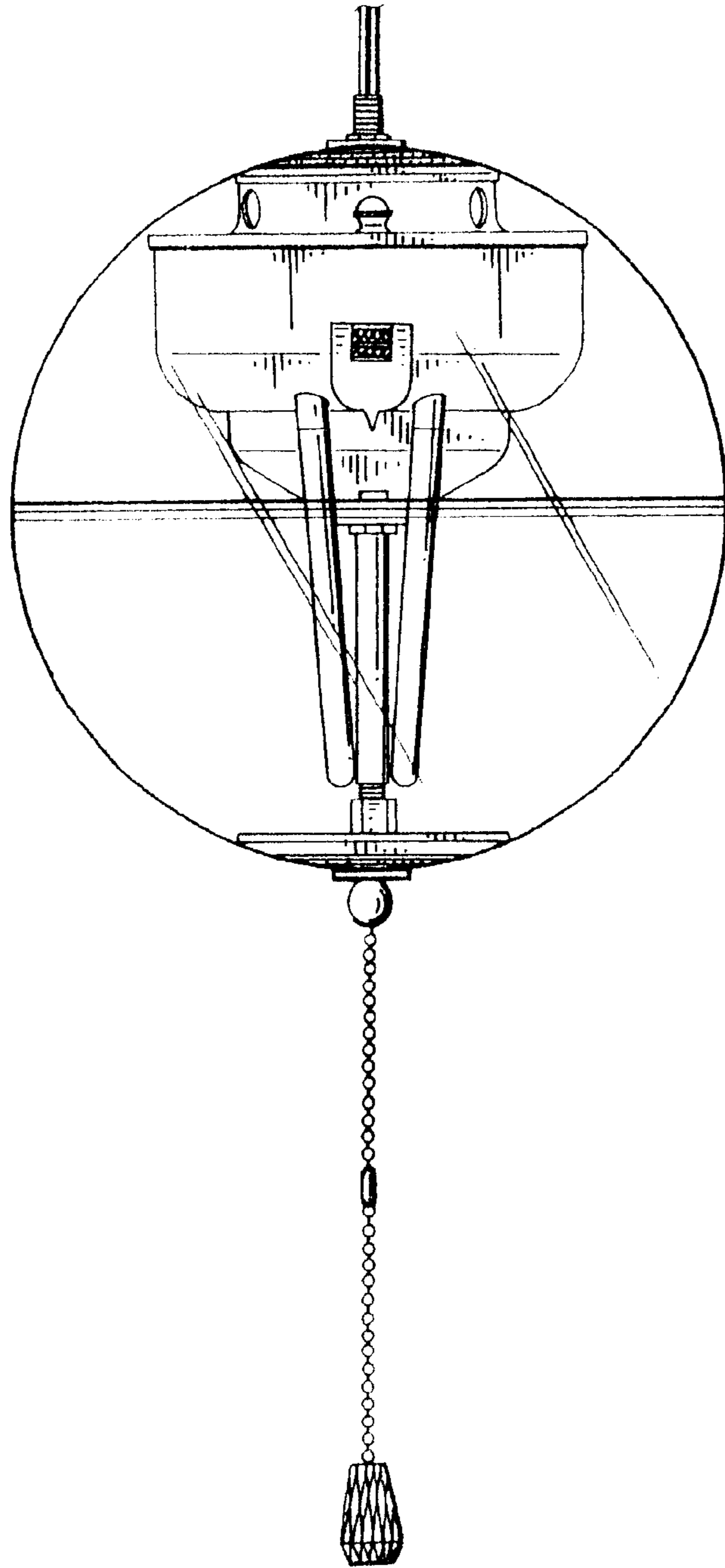


FIG.4

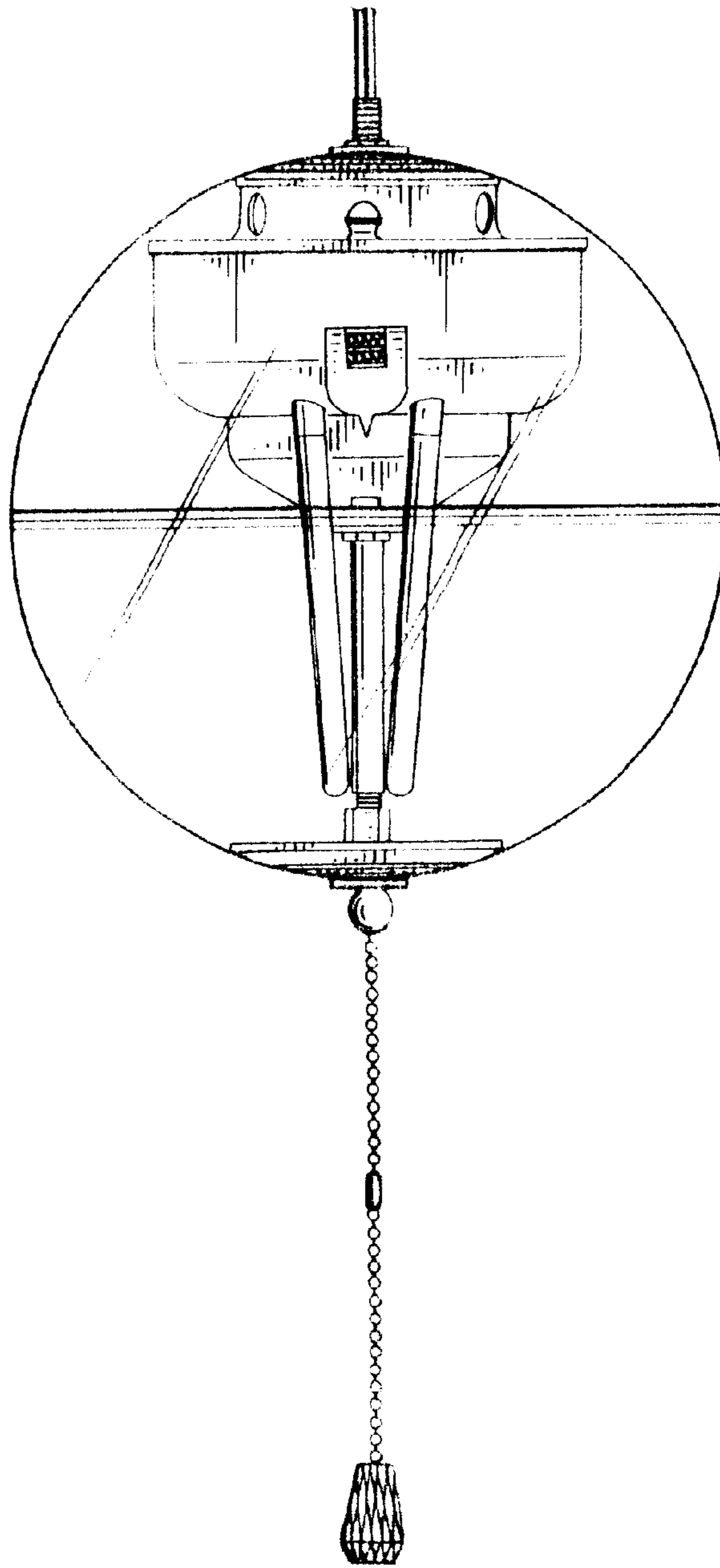


FIG.5

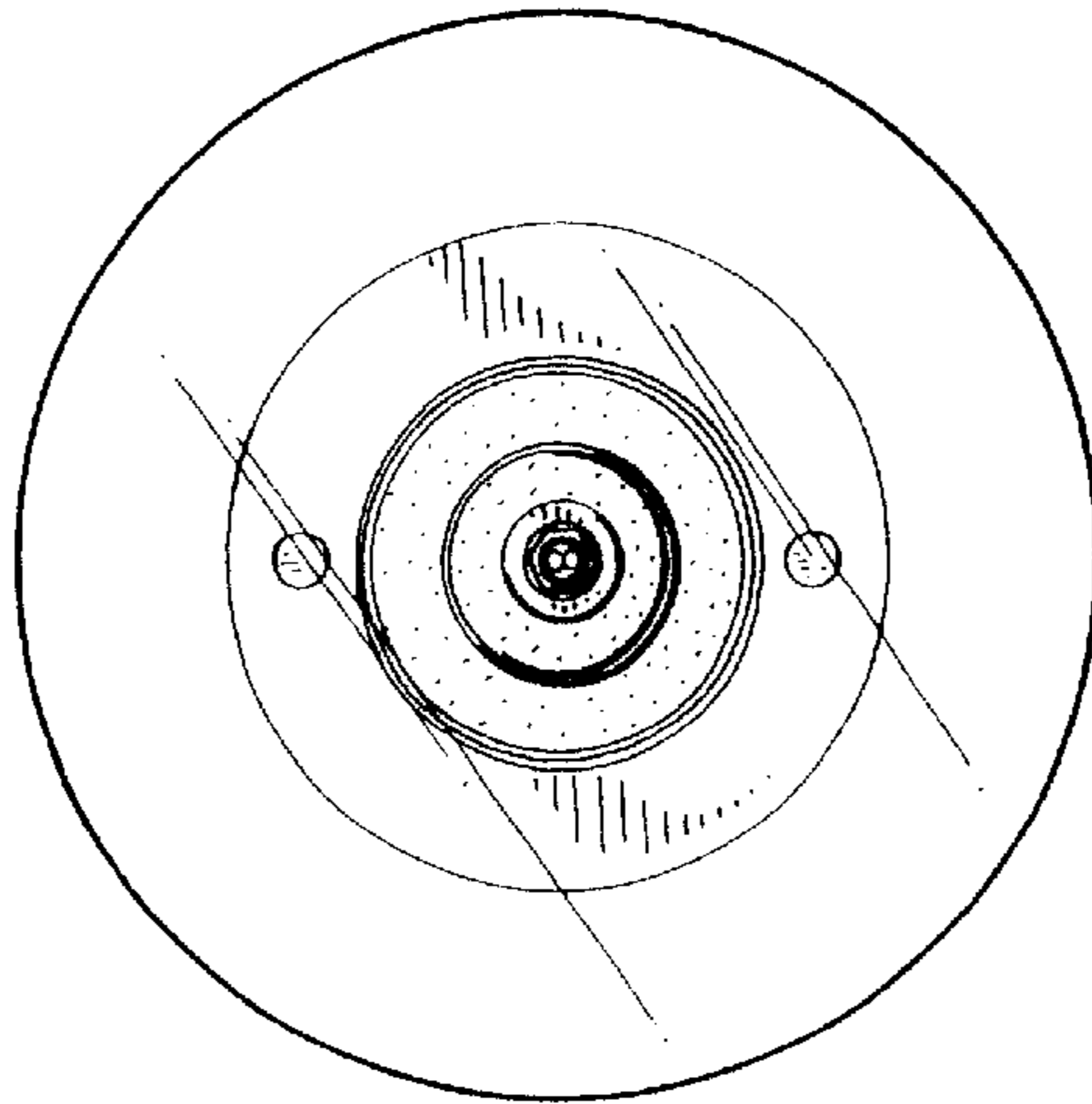


FIG. 6

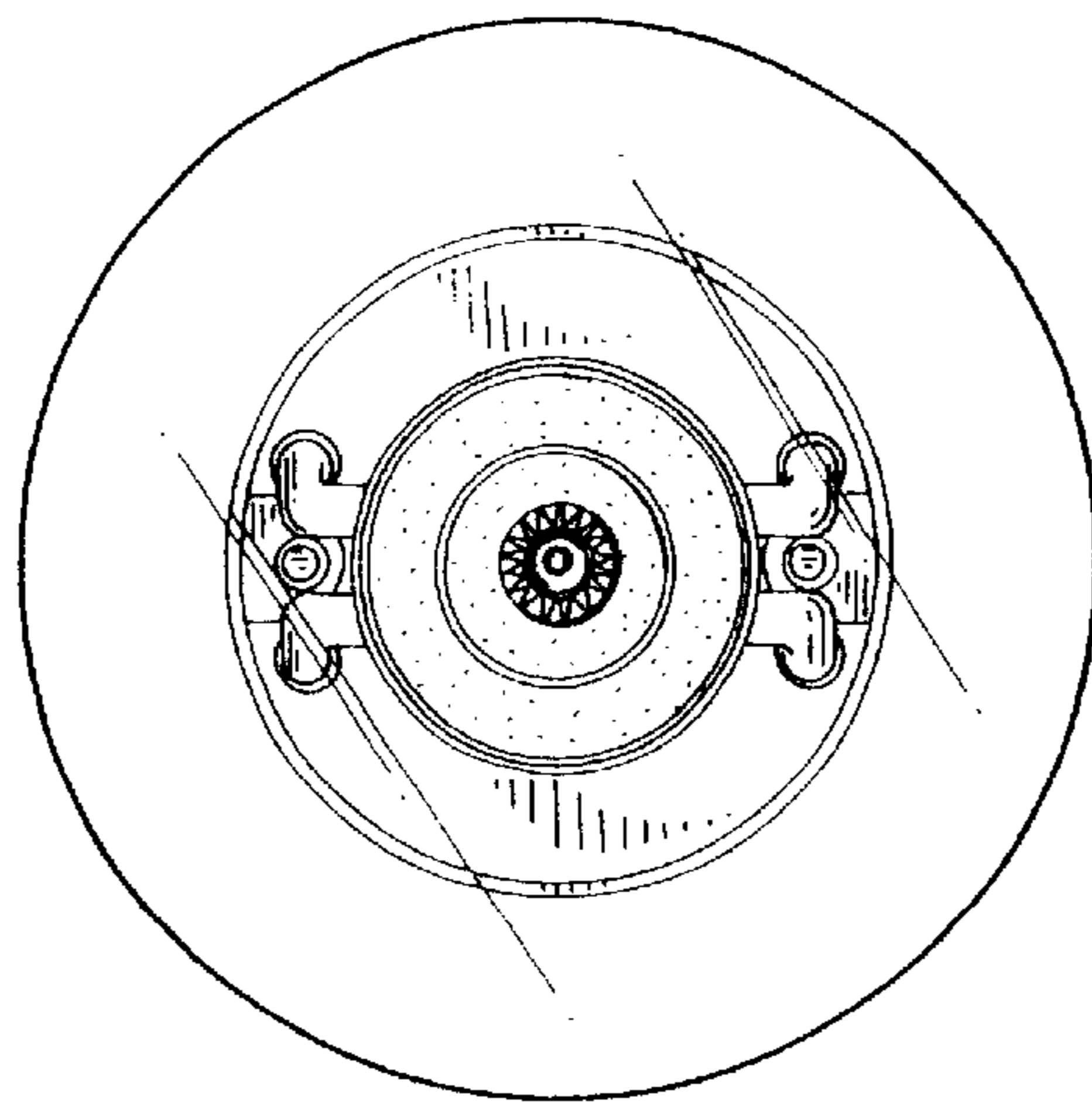


FIG. 7

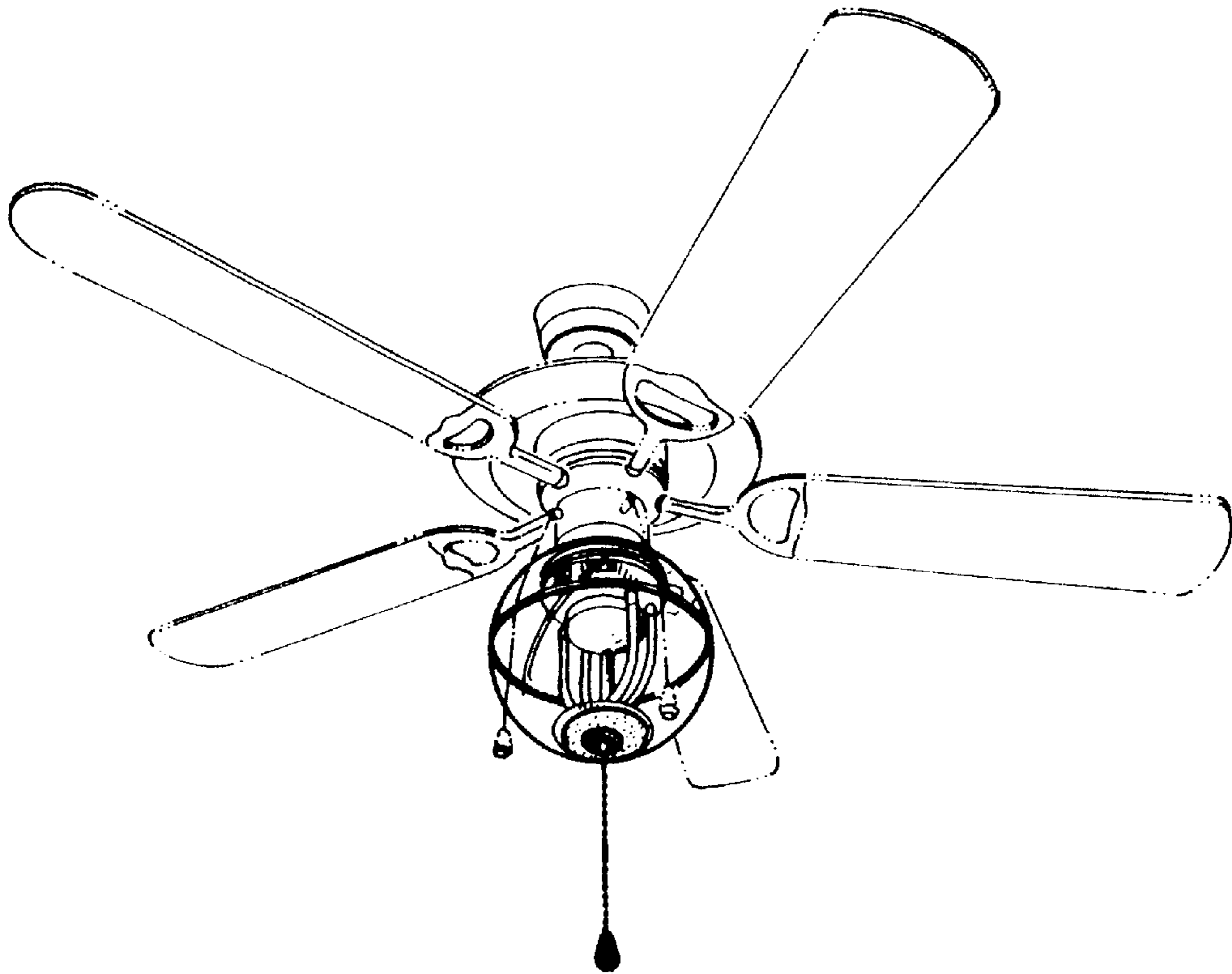


FIG. 8