



US00D485900S

(12) **United States Design Patent**
Marshall

(10) **Patent No.:** **US D485,900 S**

(45) **Date of Patent:** **** Jan. 27, 2004**

(54) **BLADE ARM FOR A CEILING FAN**

(76) **Inventor:** **John C. Marshall**, 6249 Thibodeaux Rd., Greenwell Springs, LA (US) 70739

(**) **Term:** **14 Years**

(21) **Appl. No.:** **29/175,560**

(22) **Filed:** **Feb. 7, 2003**

(51) **LOC (7) Cl.** **23-04**

(52) **U.S. Cl.** **D23/411**

(58) **Field of Search** D23/411, 377,
D23/379; D11/50, 44; 416/5, 210 R; D20/11,
10

(56) **References Cited**

U.S. PATENT DOCUMENTS

D219,536 S * 12/1970 Edenberg D11/50

D402,360 S * 12/1998 Jasper-Fayer D23/411

* cited by examiner

Primary Examiner—Lisa Lichtenstein
(74) *Attorney, Agent, or Firm*—Liniak, Berenato & White, LLC

(57) **CLAIM**

The ornamental design for a blade arm for a ceiling fan, as shown and described.

DESCRIPTION

FIG. 1 is a front plan view of a blade arm for a ceiling fan;
FIG. 2 is a rear plan view;
FIG. 3 is a left side elevational view;
FIG. 4 is a right side elevational view;
FIG. 5 is a bottom elevational view;
FIG. 6 is a top elevational view; and,
FIG. 7 is a top perspective view.

The broken line showing is for illustrative purposes only and forms no part of the claimed invention.

1 Claim, 4 Drawing Sheets

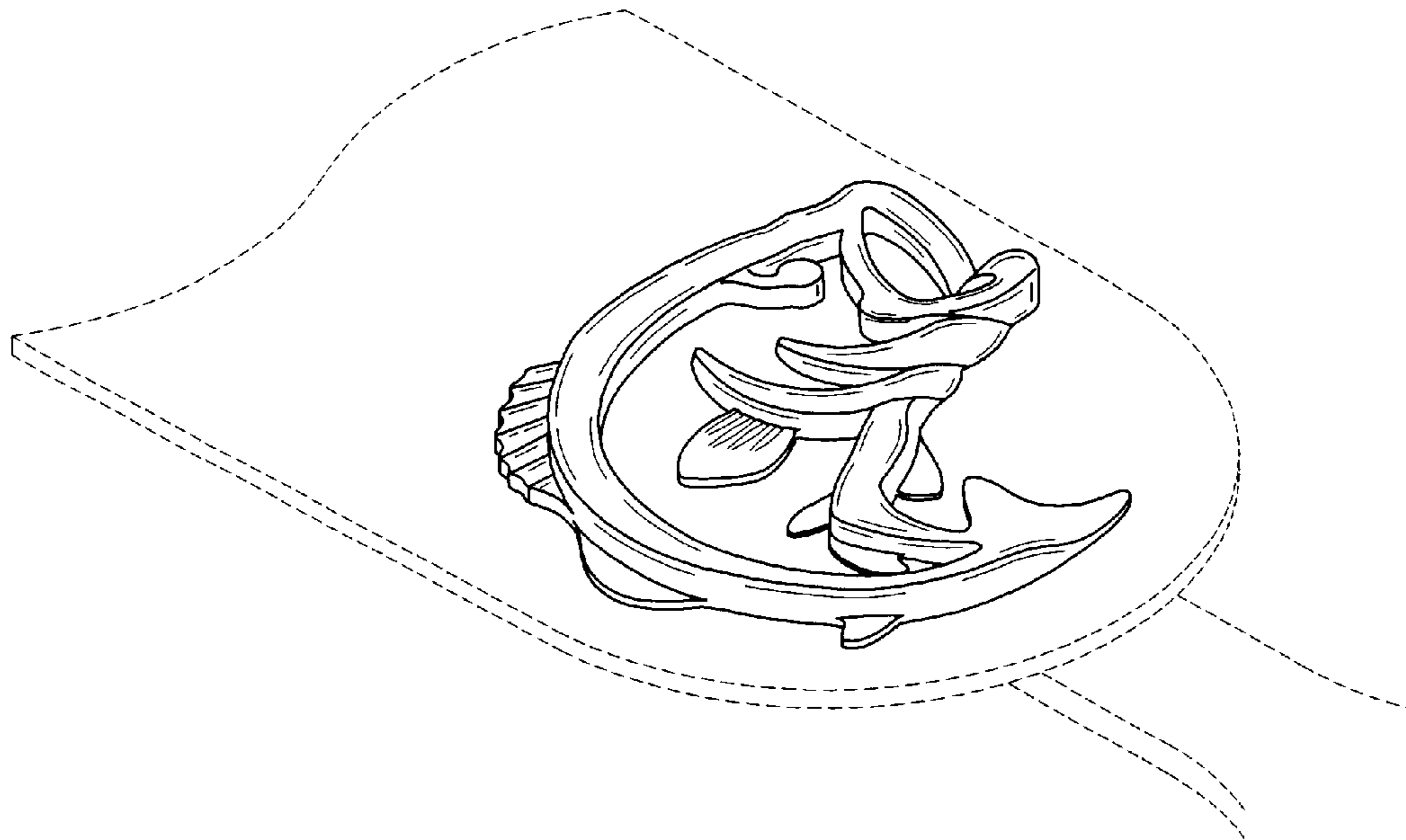


Fig. 1

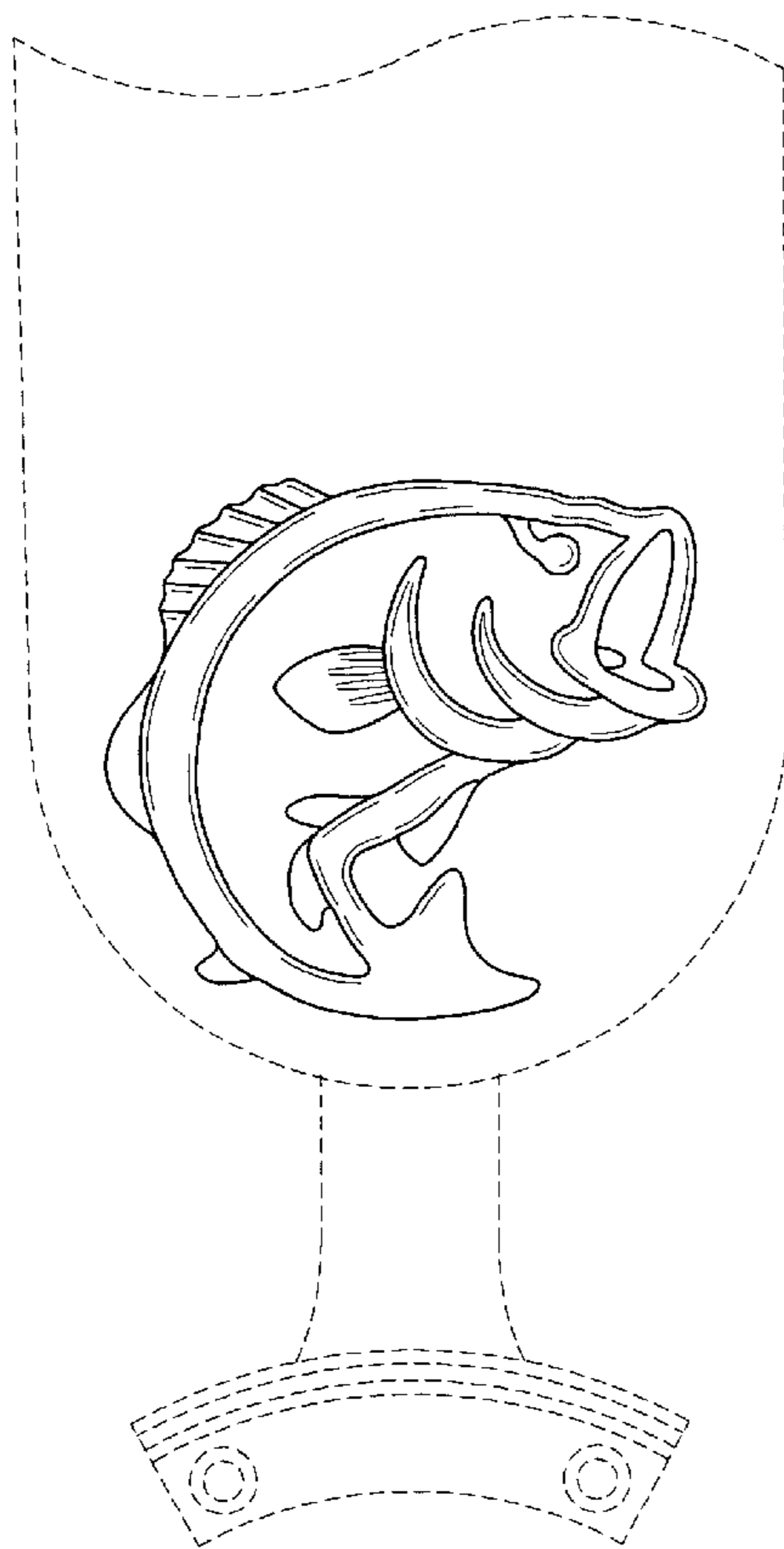


Fig. 2

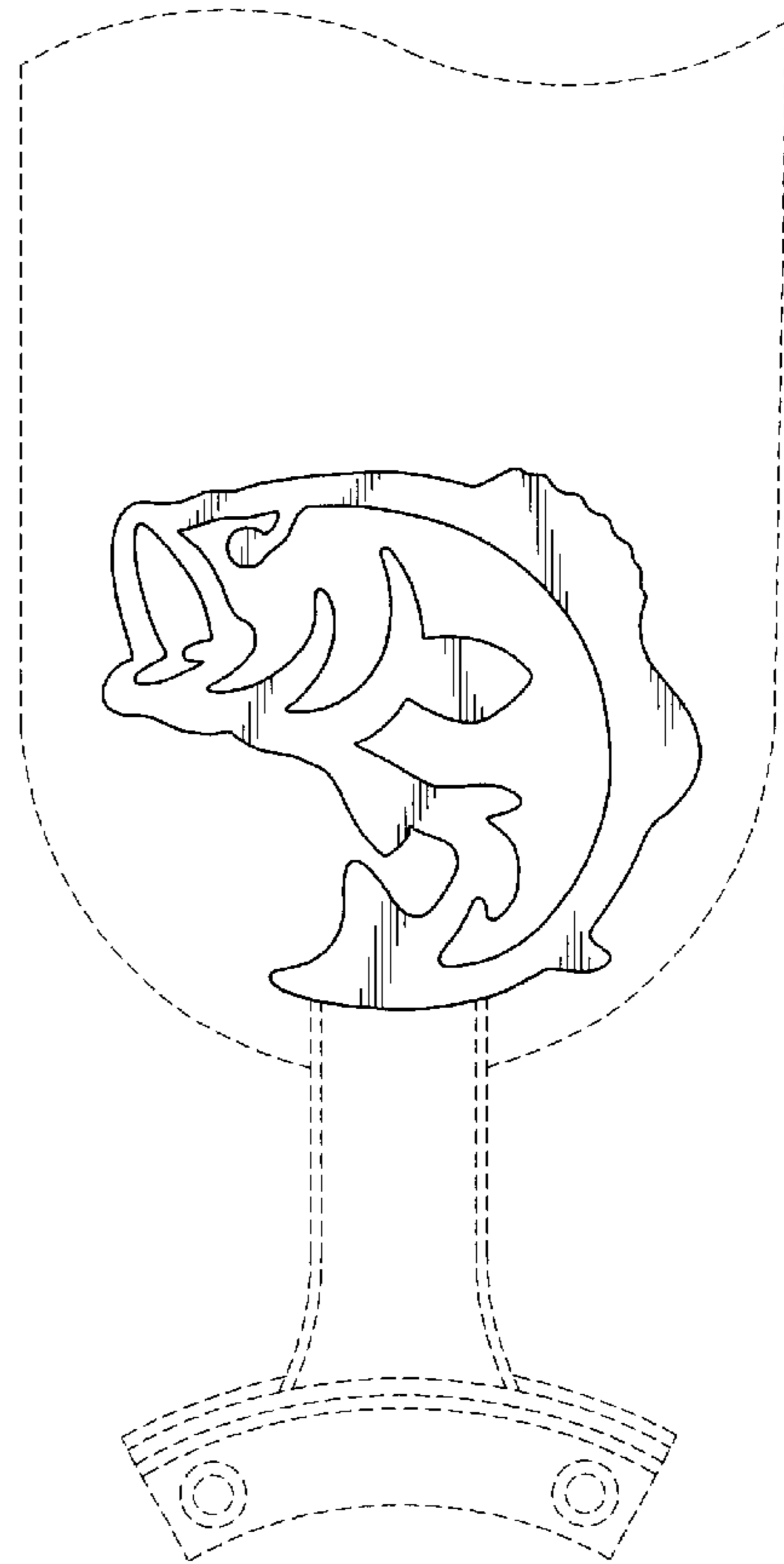


Fig. 3

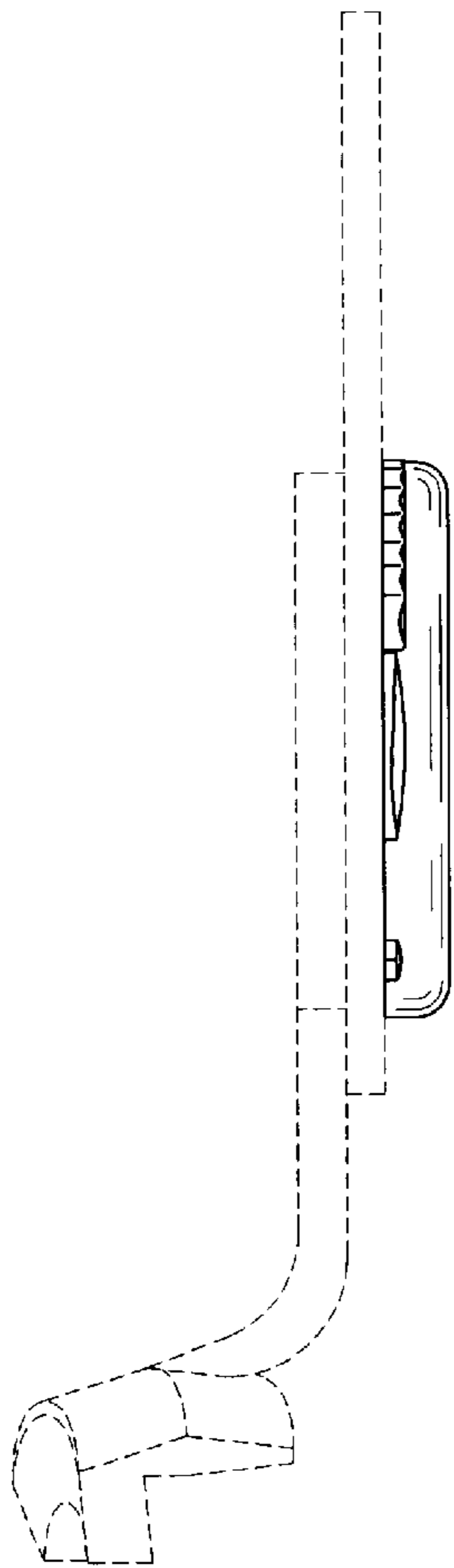


Fig. 4

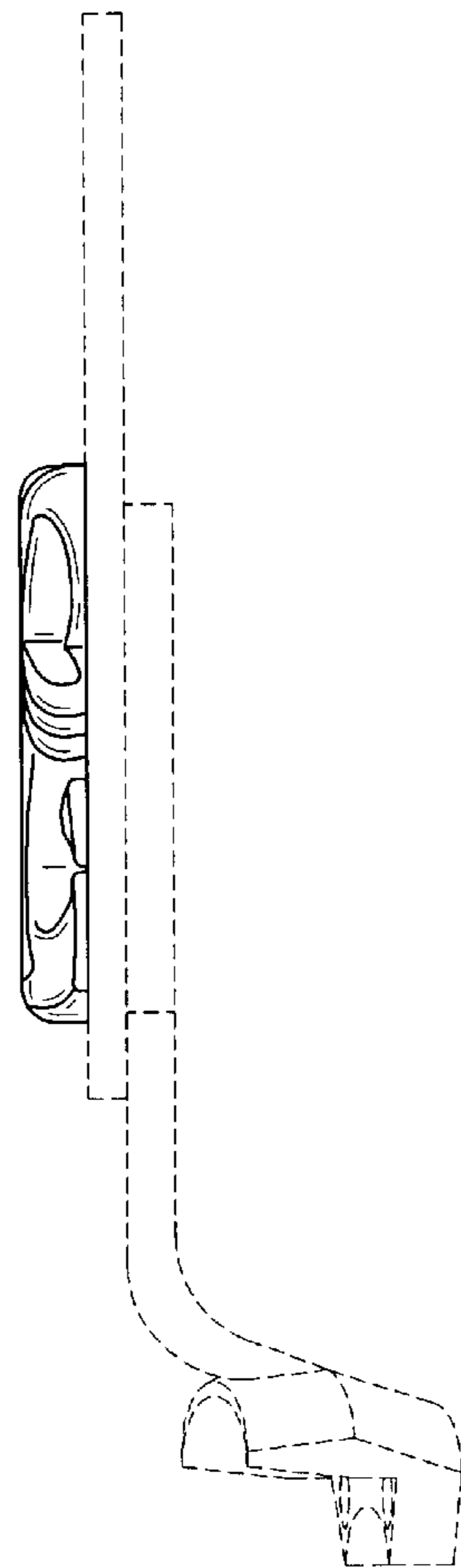


Fig. 5

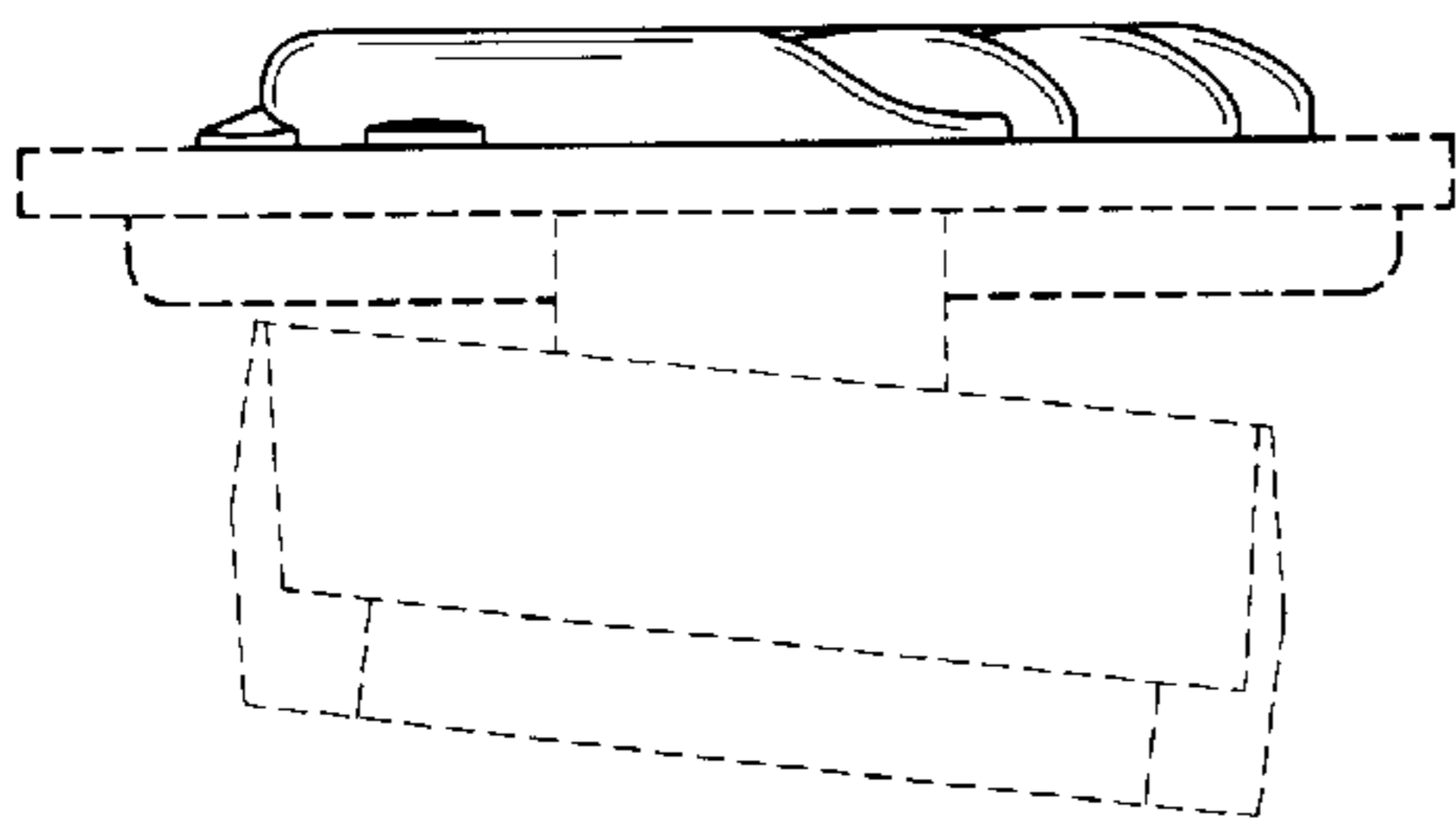


Fig. 6

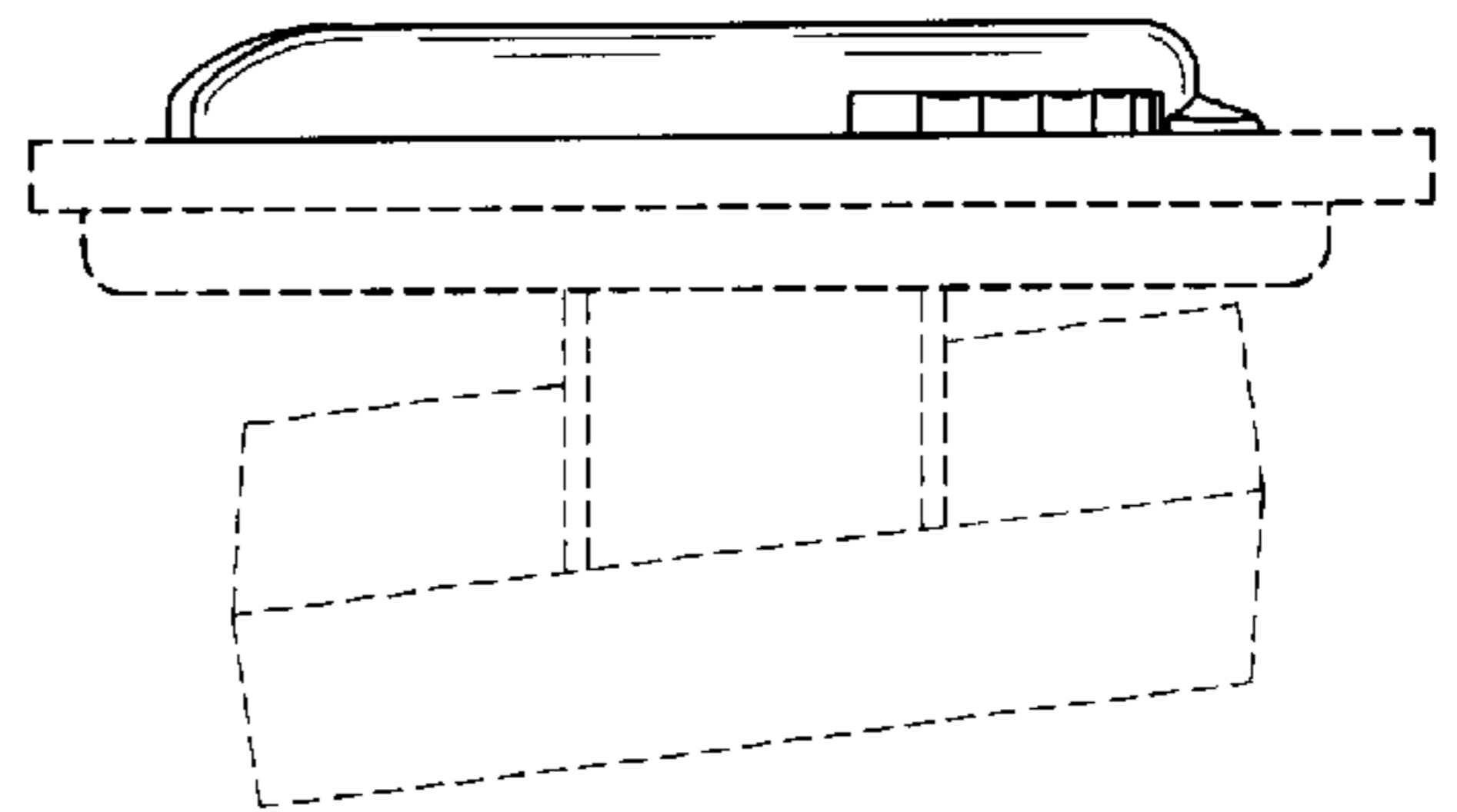


Fig. 7

