



US00D485898S

(12) **United States Design Patent**  
**Granados**

(10) **Patent No.:** **US D485,898 S**

(45) **Date of Patent:** **\*\* Jan. 27, 2004**

(54) **FAN**

6,210,101 B1 \* 4/2001 Horng ..... 415/53.1

(76) **Inventor:** **George Granados**, 3202 W. Louisiana Ave., Tampa, FL (US) 33614

\* cited by examiner

(\*\*) **Term:** **14 Years**

*Primary Examiner*—Lisa Lichtenstein  
(74) *Attorney, Agent, or Firm*—Albert Bordas; J. Sanchelima

(21) **Appl. No.:** **29/171,141**

(57) **CLAIM**

(22) **Filed:** **Nov. 18, 2002**

The ornamental design for the fan, as shown and described.

(51) **LOC (7) Cl.** ..... **23-04**

**DESCRIPTION**

(52) **U.S. Cl.** ..... **D23/378**

(58) **Field of Search** ..... D23/370, 382,  
D23/378; 416/247 R, 244 R, 223 R; 415/4.2,  
4.4, 53.1, 53.3

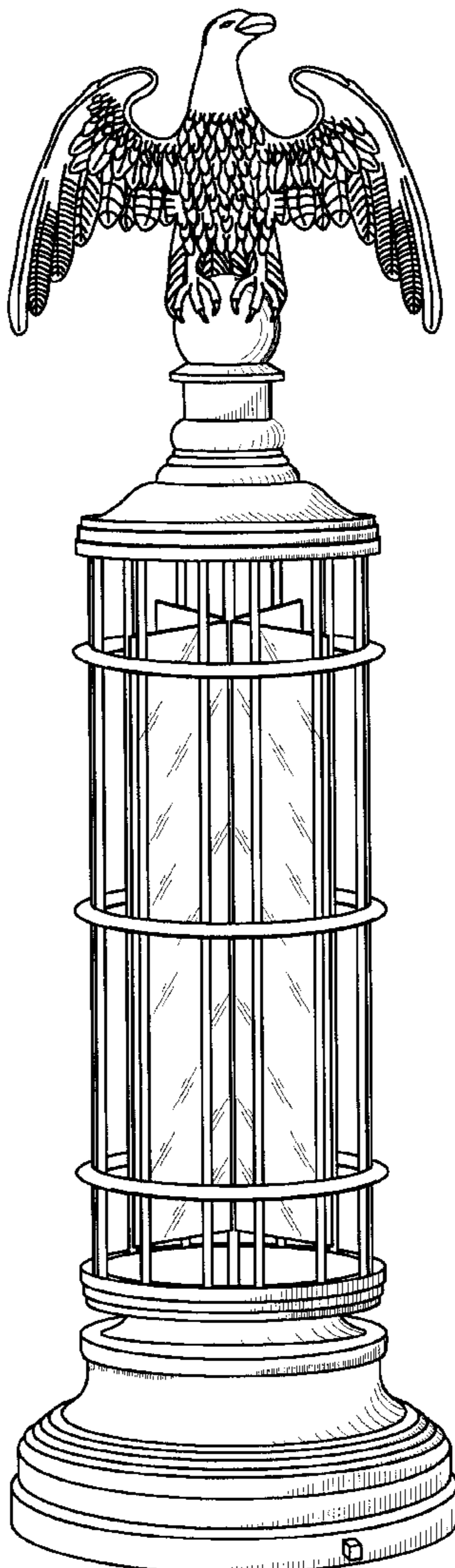
FIG. 1 is a front elevational view;  
FIG. 2 is a back view thereof;  
FIG. 3 is a left side elevational view thereof;  
FIG. 4 is a right side elevational view thereof;  
FIG. 5 is a top plan view thereof, showing an electrical cord extending therefrom; and,  
FIG. 6 is a bottom plan view of my invention.

(56) **References Cited**

**U.S. PATENT DOCUMENTS**

3,223,313 A \* 12/1965 Kinsworthy ..... 415/143  
4,142,822 A \* 3/1979 Herbert et al. .... 415/53.1

**1 Claim, 5 Drawing Sheets**



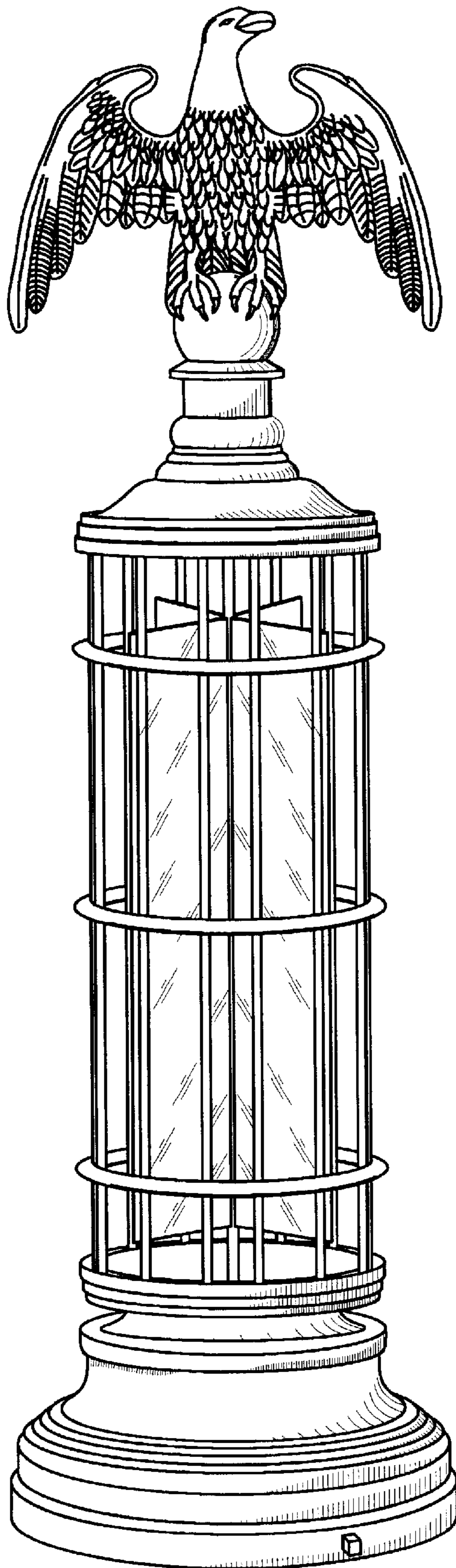


Fig. 1

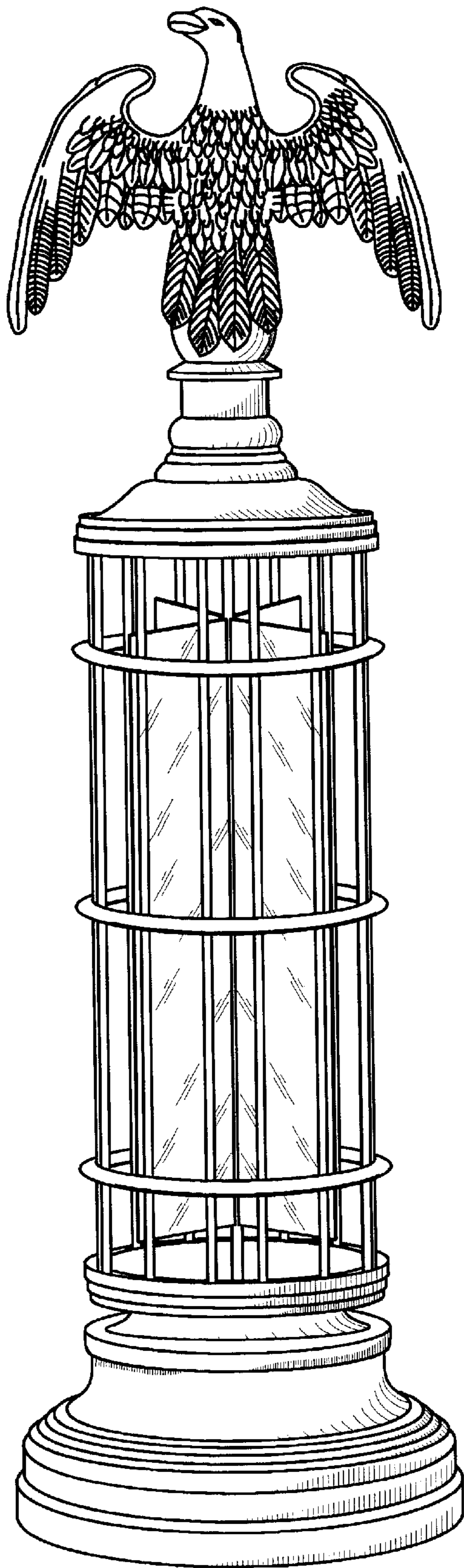


Fig. 2

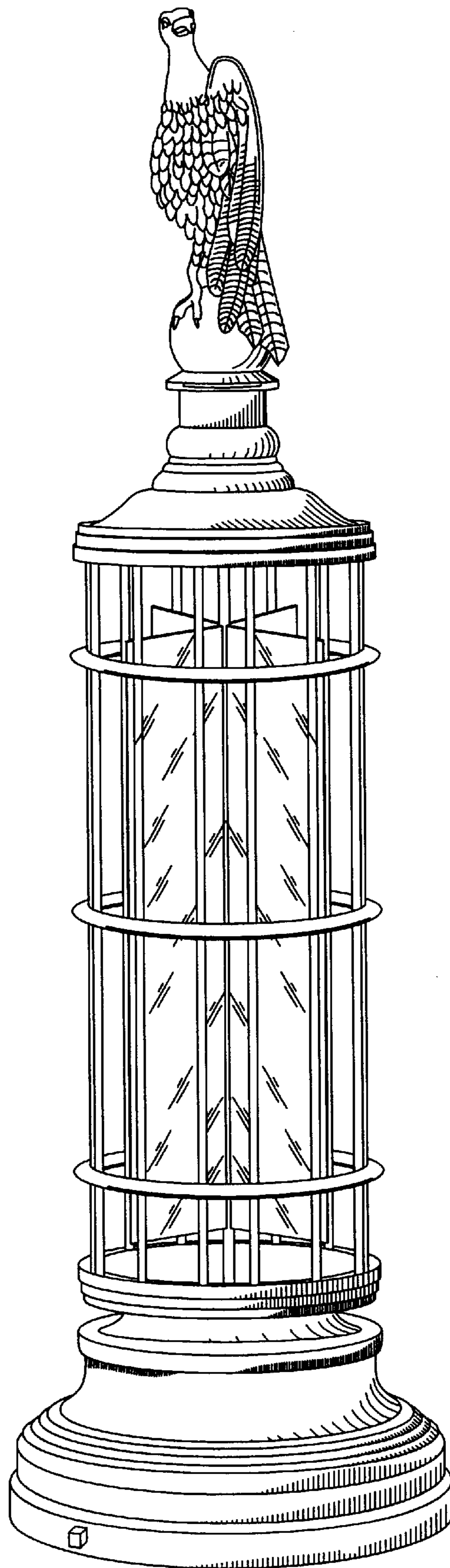


Fig. 3

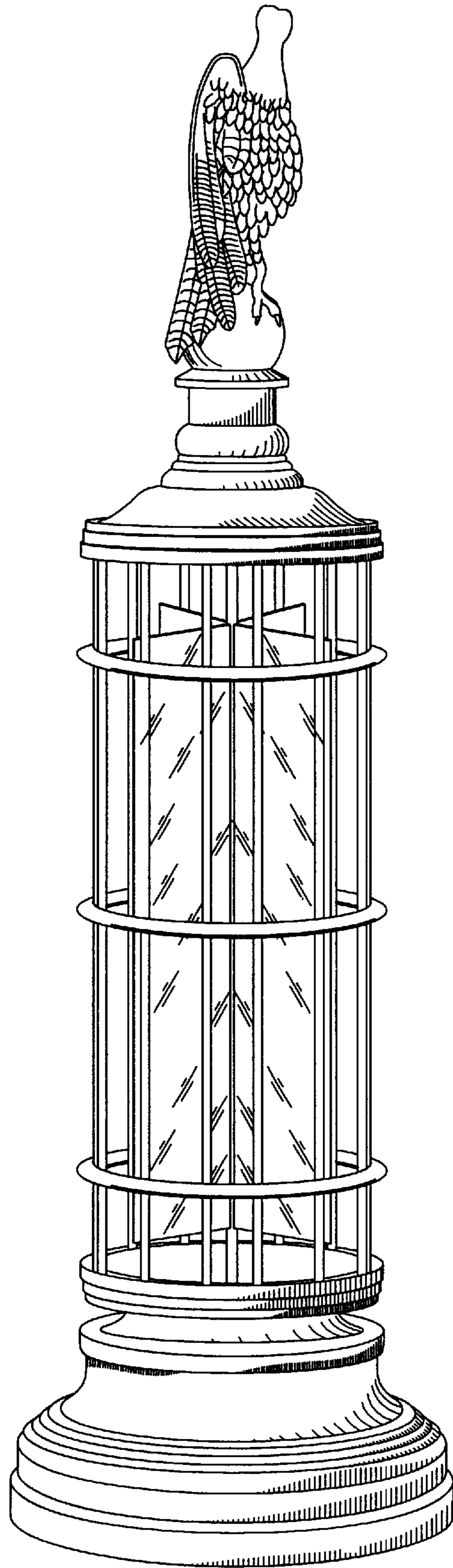


Fig. 4

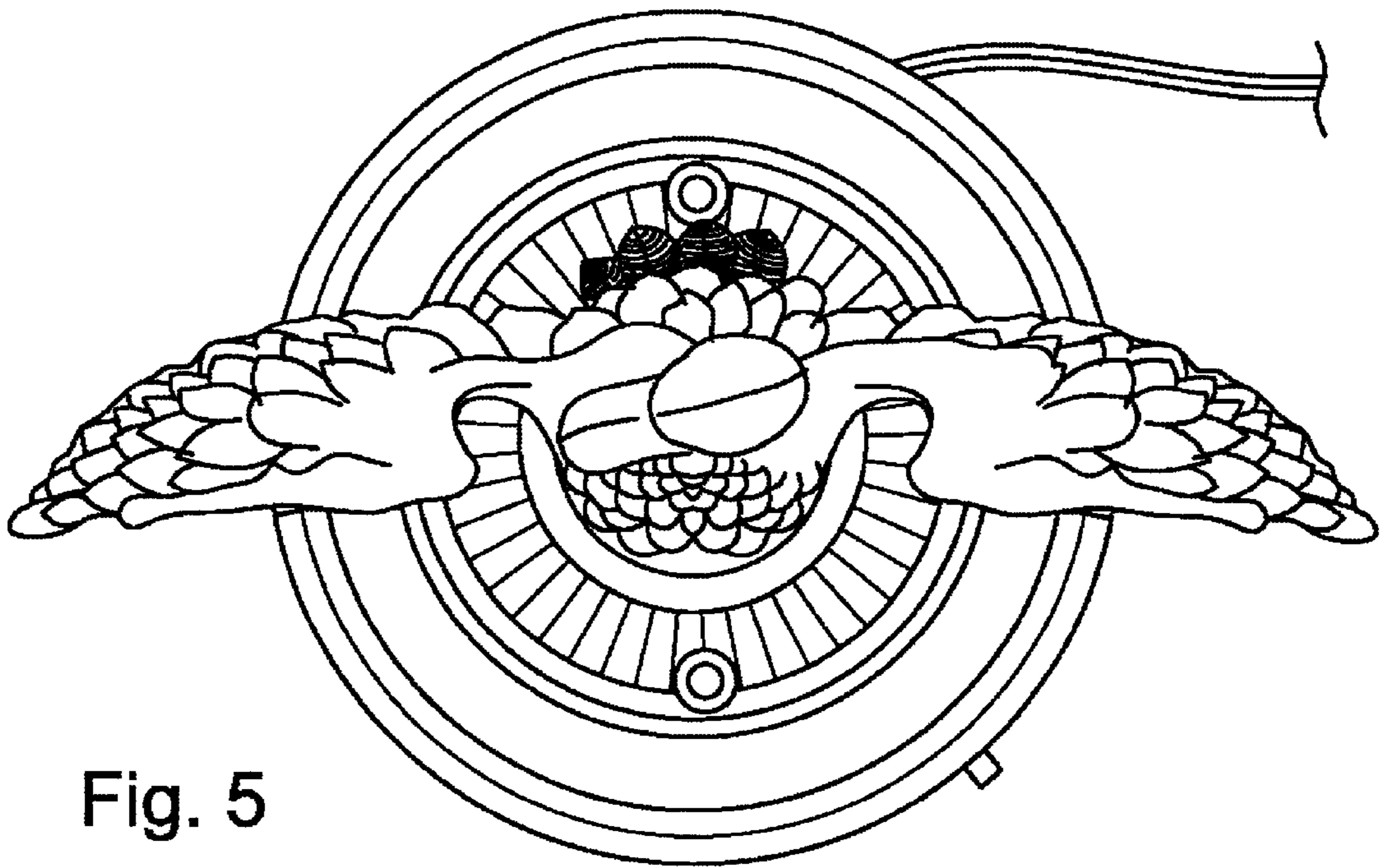


Fig. 5

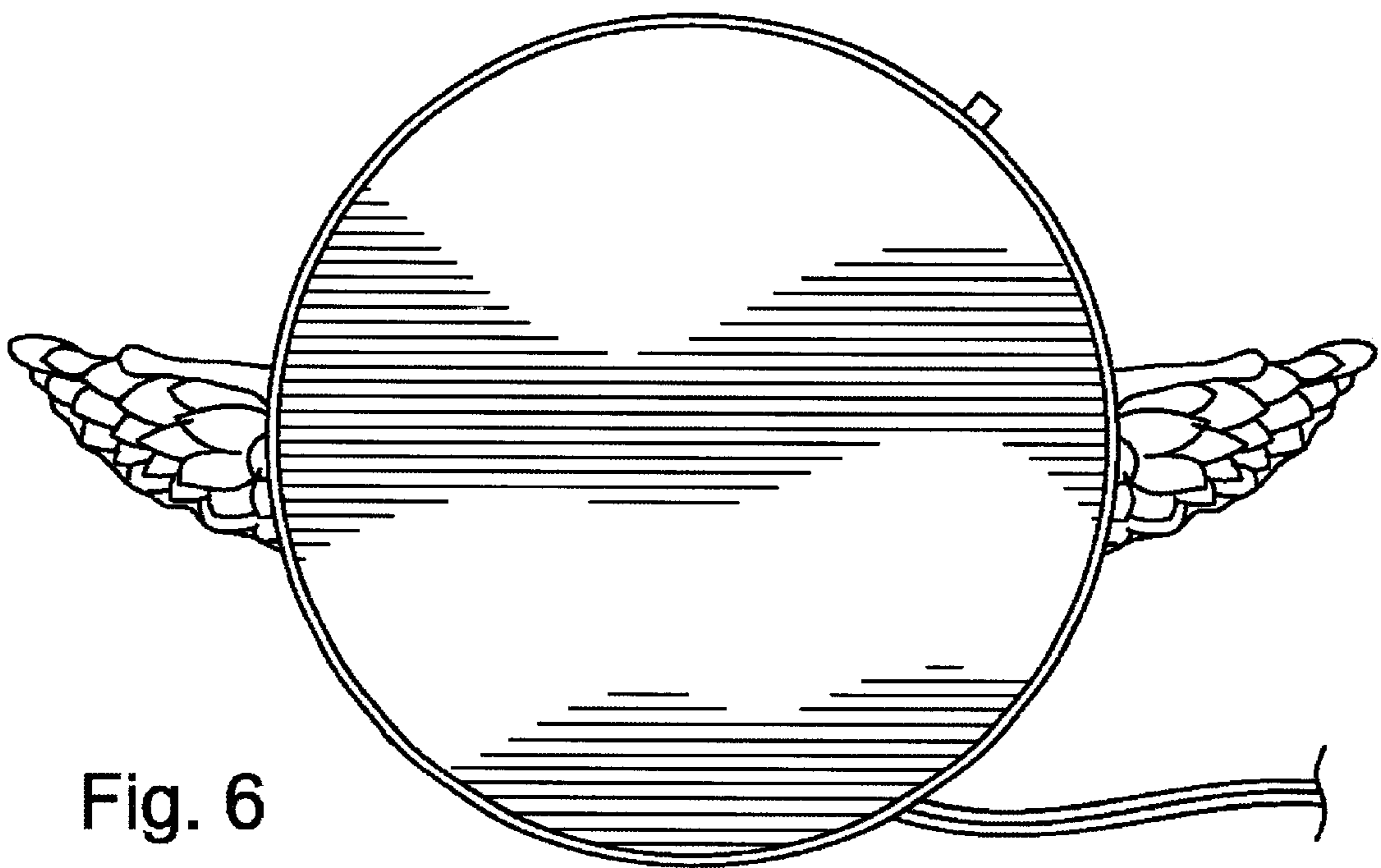


Fig. 6