



US00D485892S

(12) **United States Design Patent**  
**Smith**

(10) **Patent No.:** **US D485,892 S**

(45) **Date of Patent:** **\*\* Jan. 27, 2004**

(54) **BOWL FOR WATER CLOSET**

(75) Inventor: **Michael S. Smith**, Santa Monica, CA (US)

(73) Assignee: **Kallista, Inc.**, Kohler, WI (US)

(\*\*) Term: **14 Years**

(21) Appl. No.: **29/158,585**

(22) Filed: **Apr. 4, 2002**

(51) **LOC (7) Cl.** ..... **23-02**

(52) **U.S. Cl.** ..... **D23/309**

(58) **Field of Search** ..... D23/270-271,  
D23/273-274, 295-301, 303, 309, 313;  
4/663-664, 300, 329, 353-354, 321, 316,  
420, 420.3, 443-446, 449, 459, 460, 902,  
DIG. 11, DIG. 12, DIG. 15, DIG. 17

(56) **References Cited**

**U.S. PATENT DOCUMENTS**

D105,137 S	*	6/1937	Pieslak	.....	D23/313
D125,902 S	*	3/1941	Pieslak	.....	D23/301
D387,858 S	*	12/1997	McKeone	.....	D23/301
D441,437 S	*	5/2001	McKeone	.....	D23/301
D451,175 S	*	11/2001	Smith	.....	D23/301

**OTHER PUBLICATIONS**

Copy of Ann Sacks web page showing a "Memoirs" toilet.  
Copy of Ann Sacks web page showing a "Hampstead" toilet.

\* cited by examiner

*Primary Examiner*—Louis S. Zarfaz

*Assistant Examiner*—Robert A. Delehanty

(74) *Attorney, Agent, or Firm*—Quarles & Brady LLP

(57) **CLAIM**

The ornamental design for a bowl for water closet, as shown and described.

**DESCRIPTION**

In a preferred embodiment, the nature of this product is as a plumbing fixture which is primarily useful for receiving the liquid and solid waste of humans.

FIG. 1 is a right, top, front perspective view of a bowl for water closet embodying my new design;

FIG. 2 is a right side elevational view thereof, the left side elevational view being a mirror image of the right side shown;

FIG. 3 is a front elevational view thereof; and,

FIG. 4 is a top plan view thereof.

The broken line representations of holes in FIGS. 1 and 4, and of a lip in FIGS. 1, 2, and 4, are for the purpose of illustration only, and form no part of the claimed design.

**1 Claim, 2 Drawing Sheets**

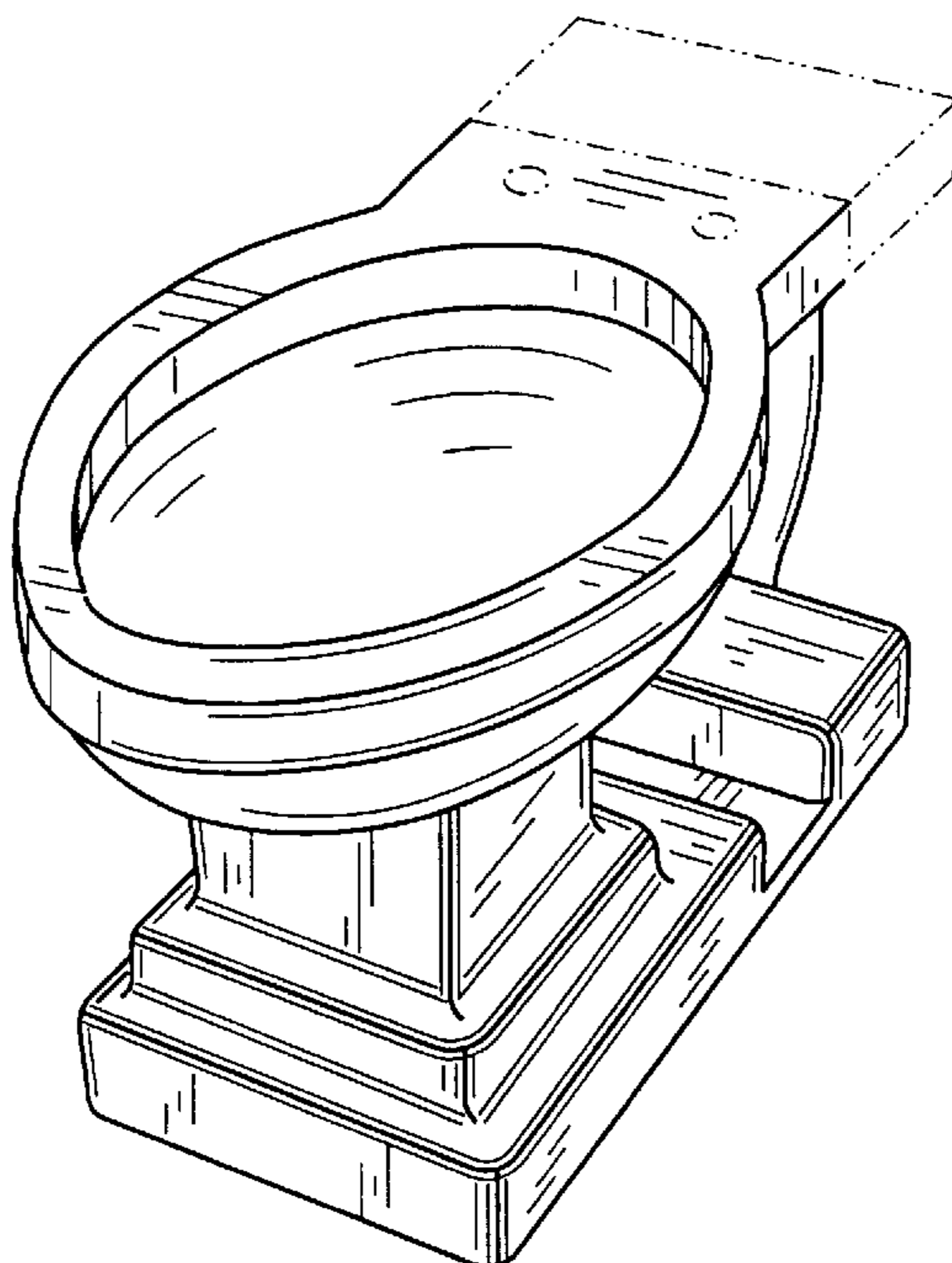


FIG. 1

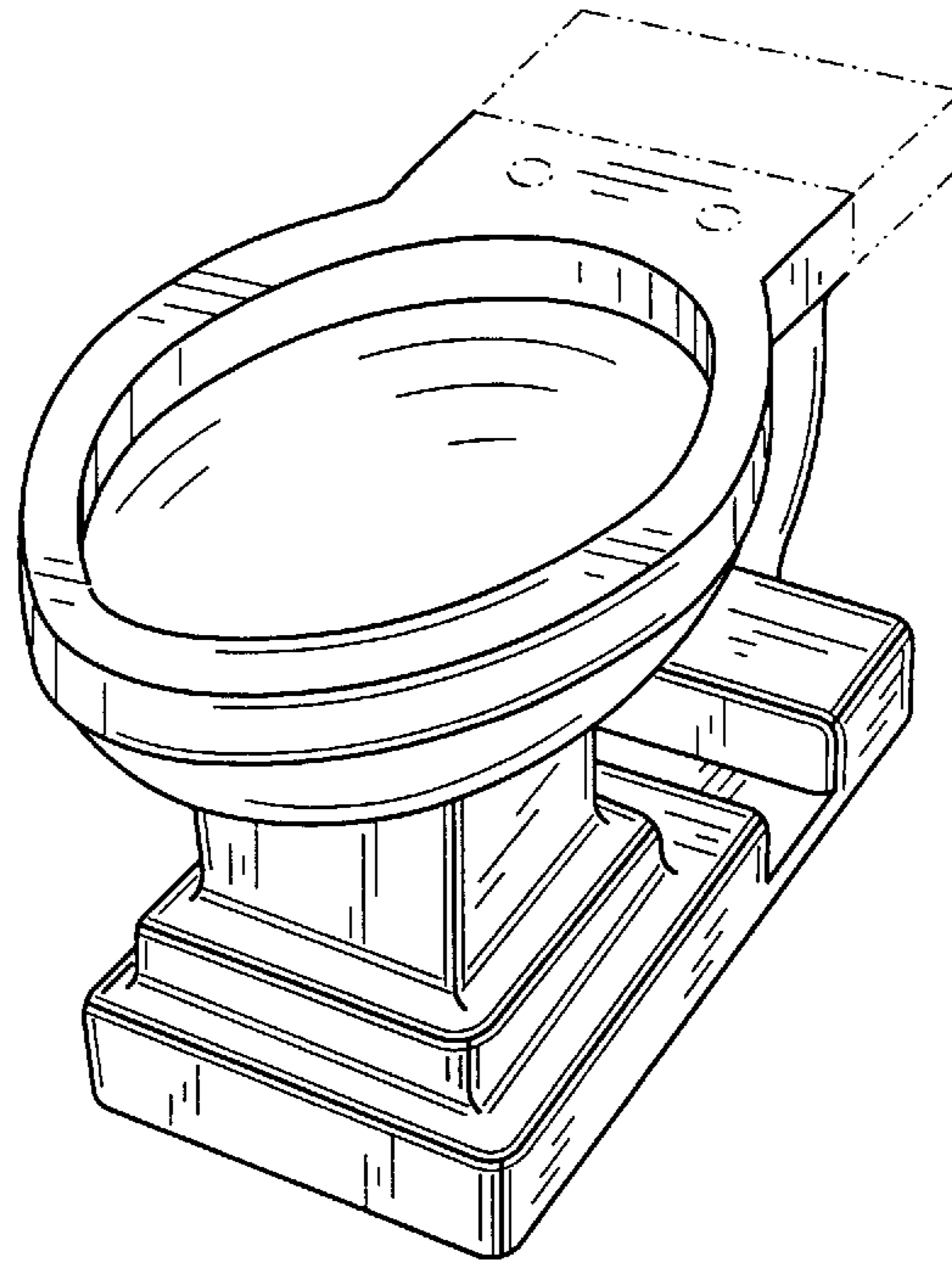


FIG. 2

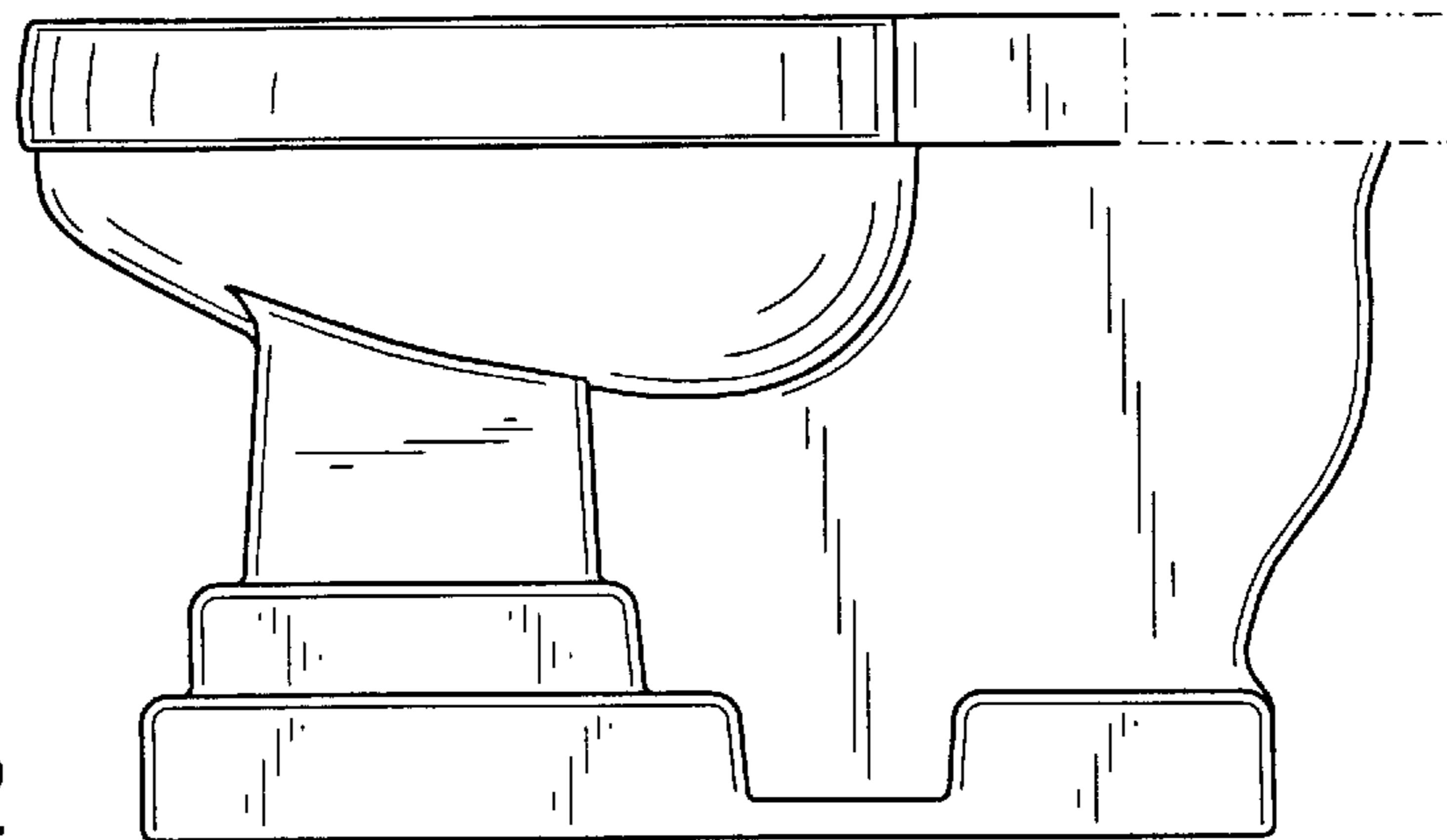
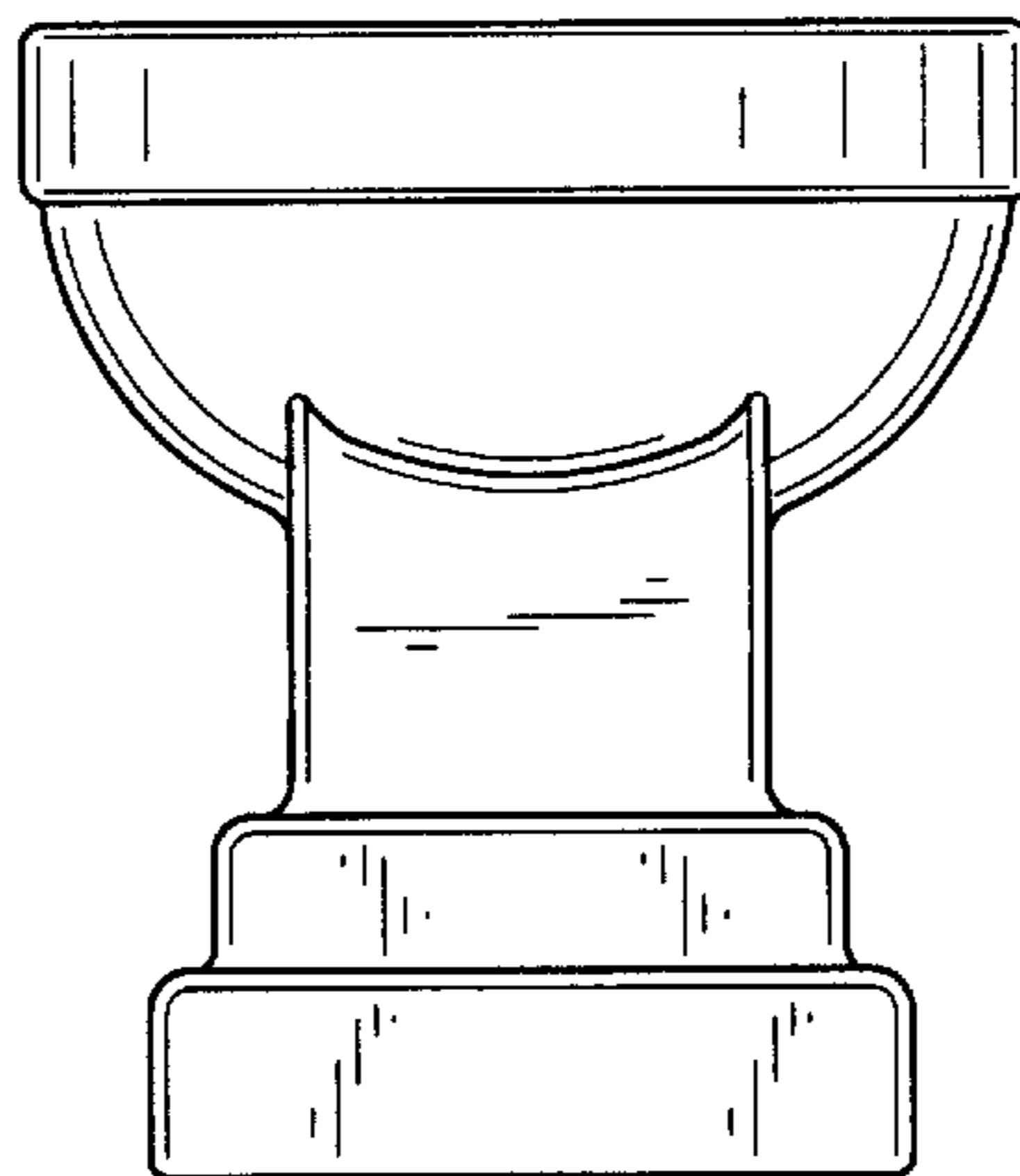


FIG. 3



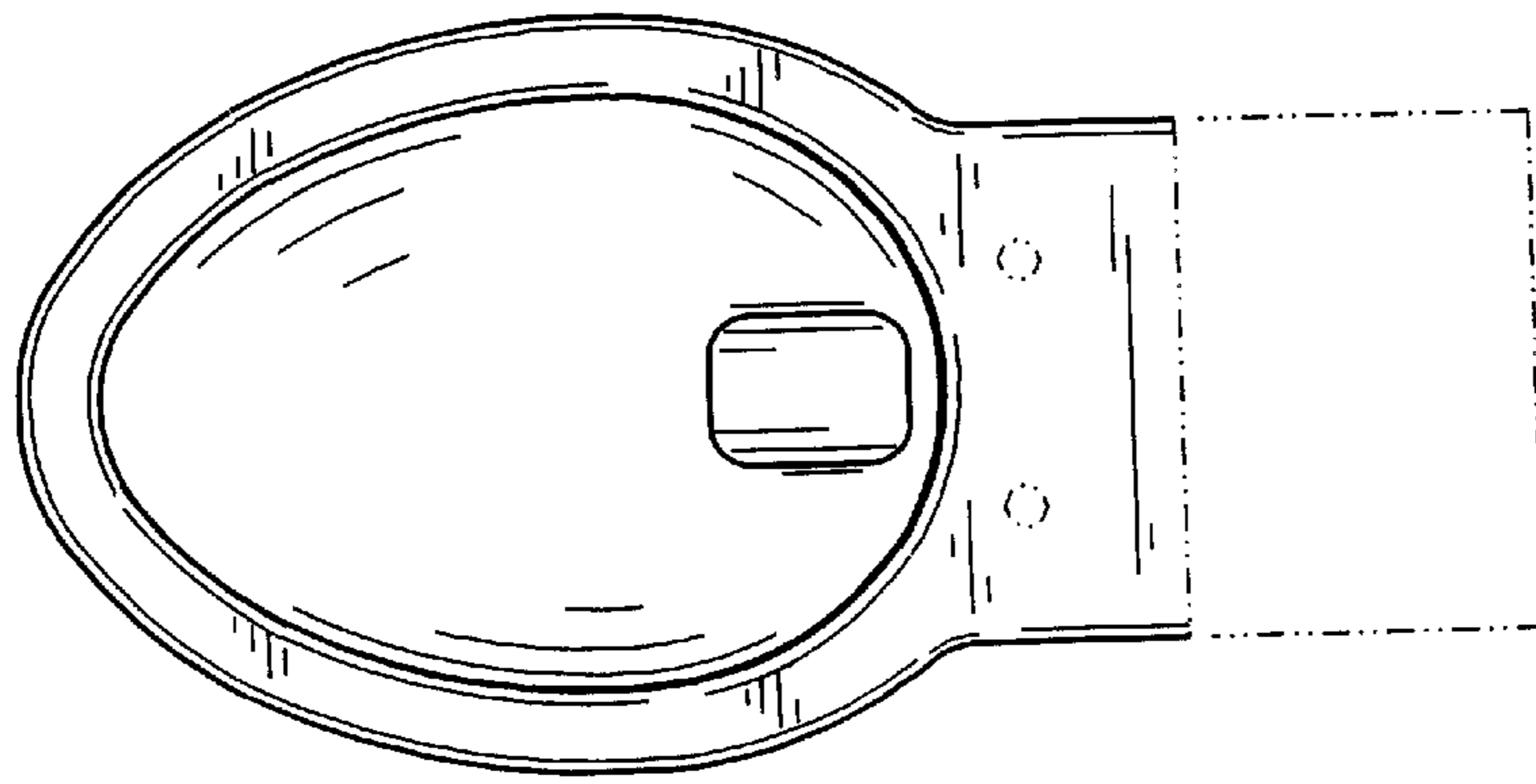


FIG. 4