



US00D485891S

(12) **United States Design Patent**
Bernsley

(10) **Patent No.:** **US D485,891 S**

(45) **Date of Patent:** **** Jan. 27, 2004**

(54) **CHILD'S DISPOSABLE TOILET SEAT ADAPTOR WITH SIDE HANDLES AND FOLD-UNDER FLAP**

(76) Inventor: **Mark Bernsley**, 22820 Calabash St., Woodland Hills, CA (US) 91364

(**) Term: **14 Years**

(21) Appl. No.: **29/181,973**

(22) Filed: **May 15, 2003**

(51) **LOC (7) Cl.** **23-02**

(52) **U.S. Cl.** **D23/296**

(58) **Field of Search** D23/270.271,
D23/274, 295-296; 4/661, 237, 902, 217,
239

(56) **References Cited**

U.S. PATENT DOCUMENTS

1,950,016	A	*	3/1934	Zuckerman	4/237	X
2,548,238	A	*	4/1951	Potts et al.	4/902	X
5,524,295	A	*	6/1996	Ford	4/239	
6,052,838	A	*	4/2000	Thom et al.	4/239	

* cited by examiner

Primary Examiner—Louis S. Zarfaz
Assistant Examiner—Robert A. Delehanty
(74) *Attorney, Agent, or Firm*—Thomas I. Rozsa; Tony D. Chen

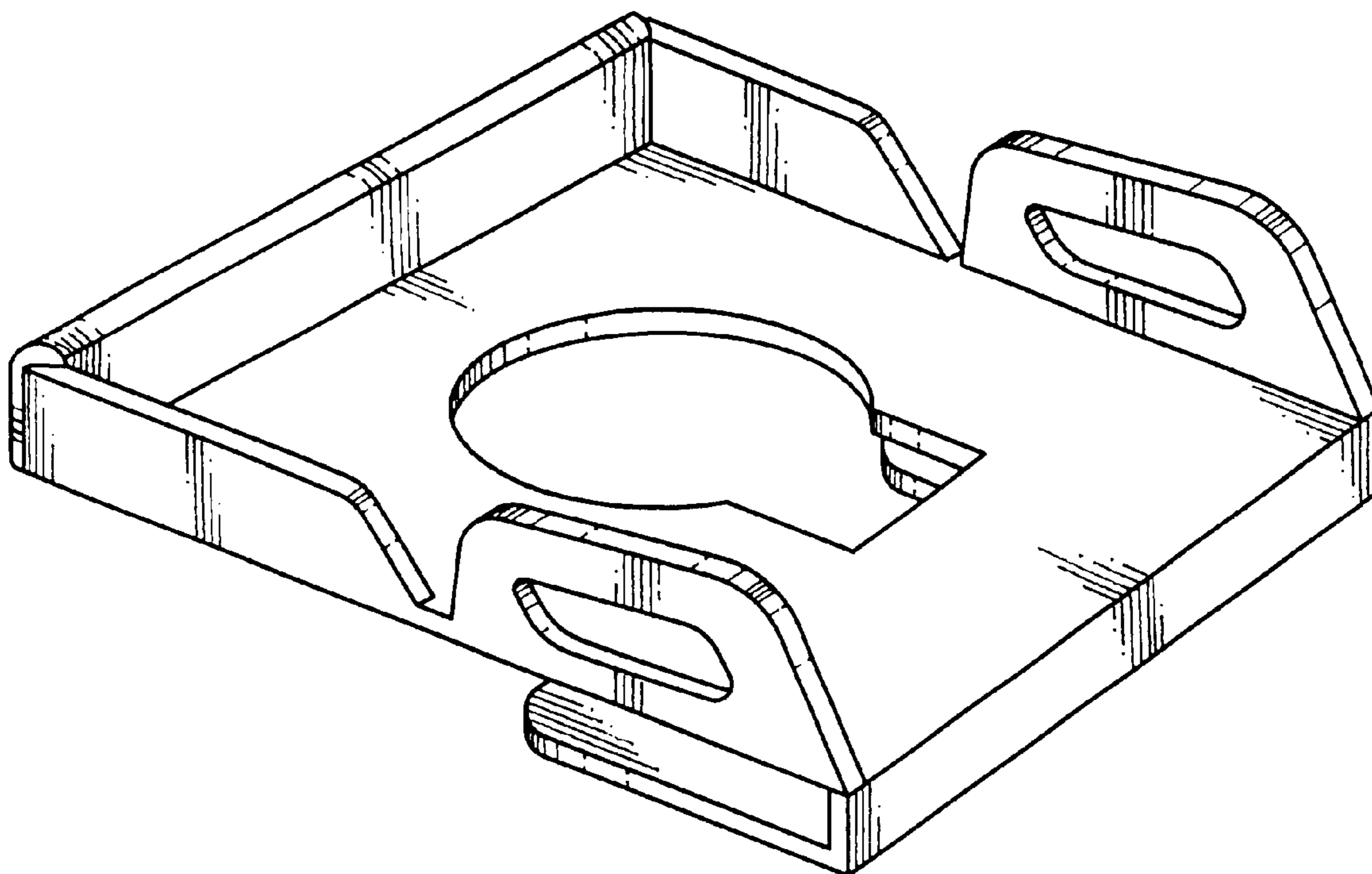
(57) **CLAIM**

The ornamental design for a child's disposable toilet seat adaptor with side handles and fold-under flap, as shown and described.

DESCRIPTION

FIG. 1 is a perspective view of a child's disposable toilet seat adaptor with side handles and fold-under flap, showing my new design;
FIG. 2 is a front elevational view thereof;
FIG. 3 is a rear elevational view thereof;
FIG. 4 is a right side elevational view thereof;
FIG. 5 is a left side elevational view thereof;
FIG. 6 is a top plan view thereof;
FIG. 7 is a bottom plan view thereof; and,
FIG. 8 is a front elevational view of the child's disposable toilet seat adaptor with side handles and fold-under flap in the disassembled condition, showing my new design.

1 Claim, 3 Drawing Sheets



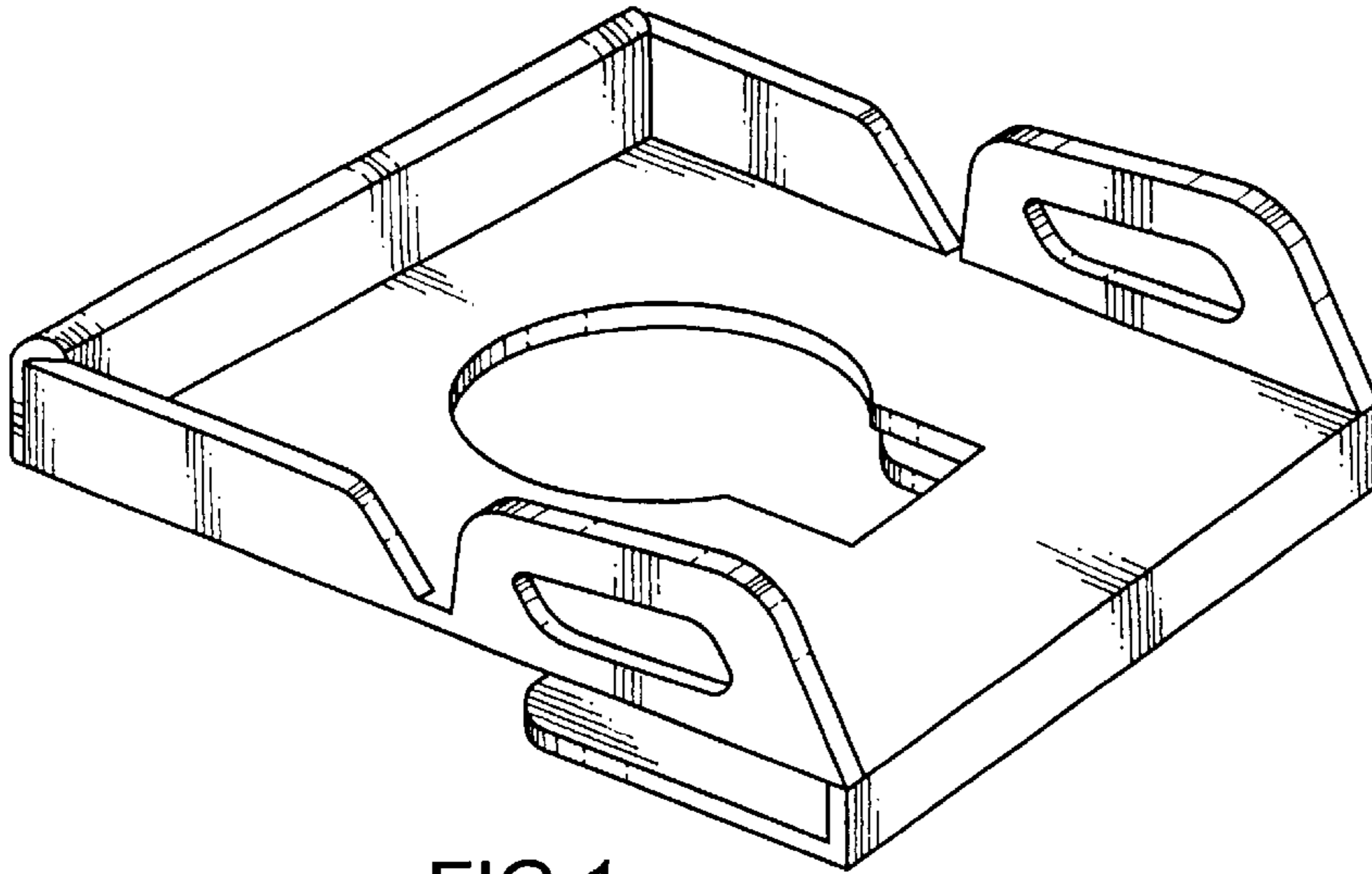


FIG. 1

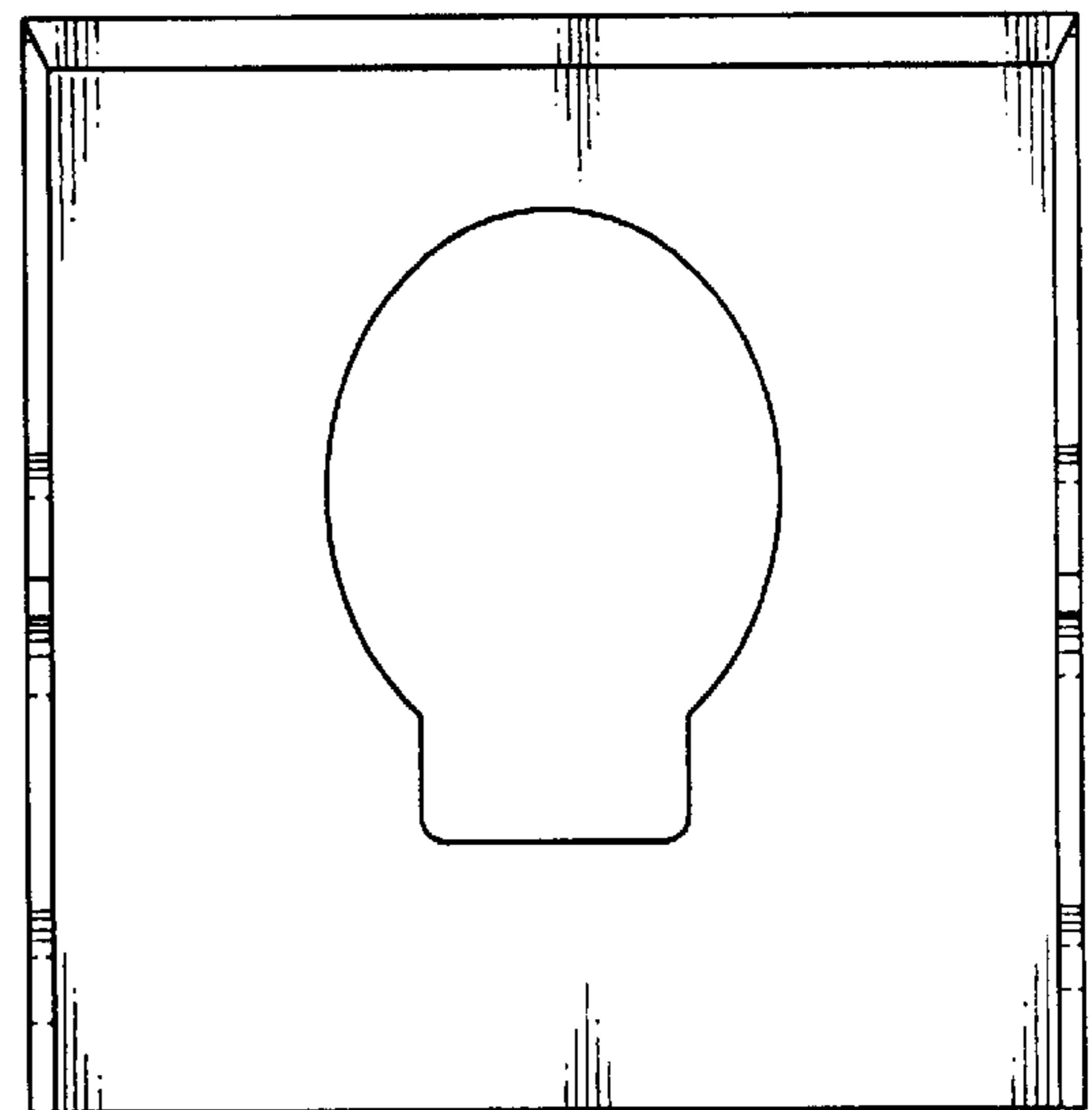


FIG. 2

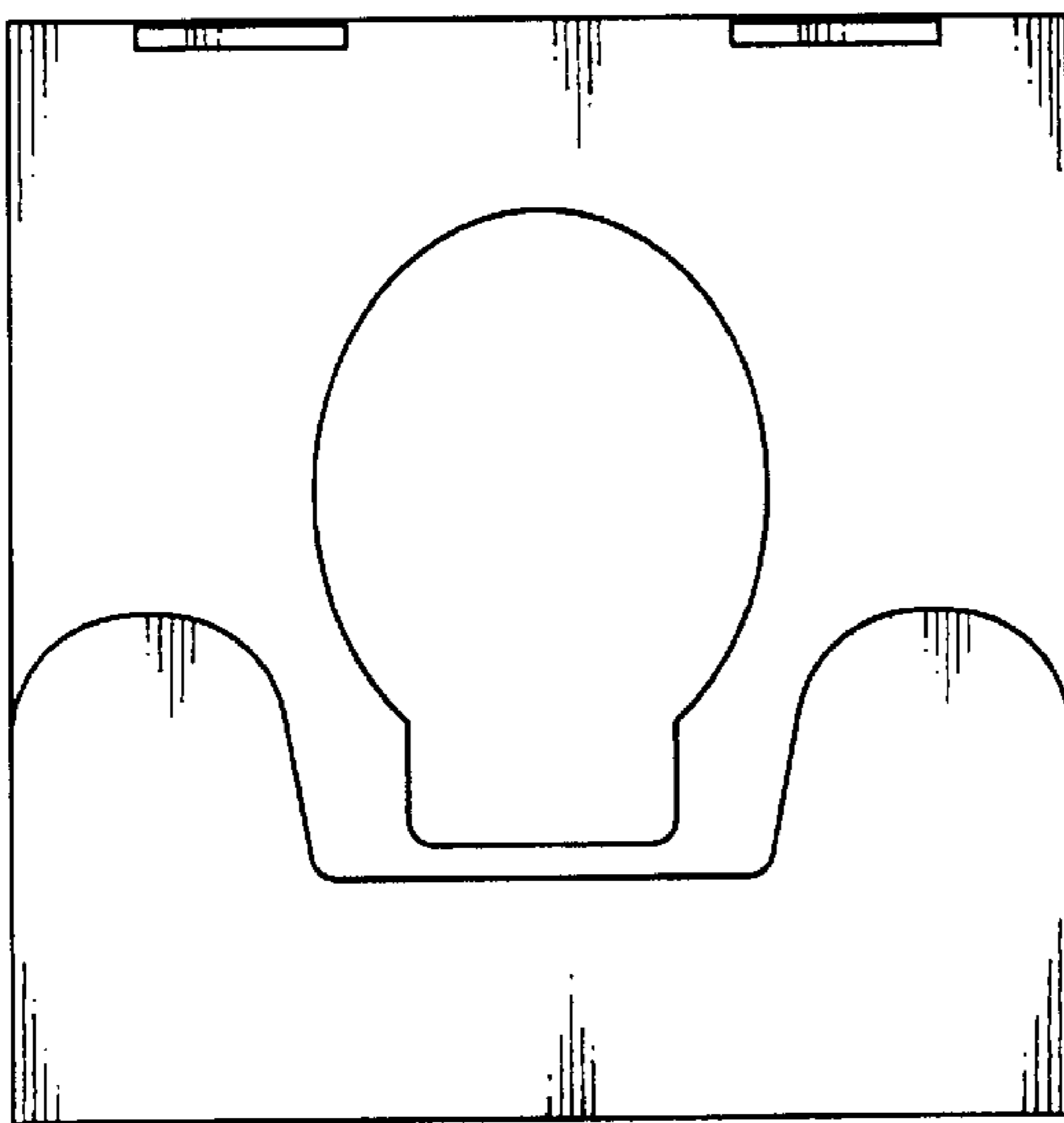


FIG. 3

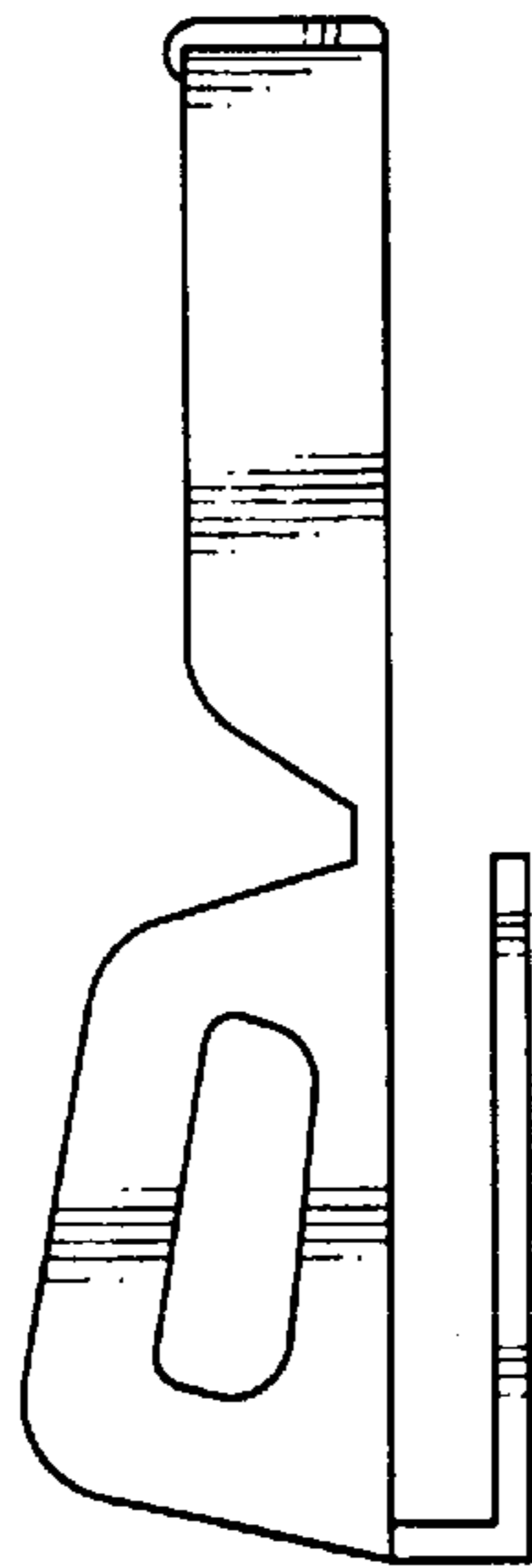


FIG. 4

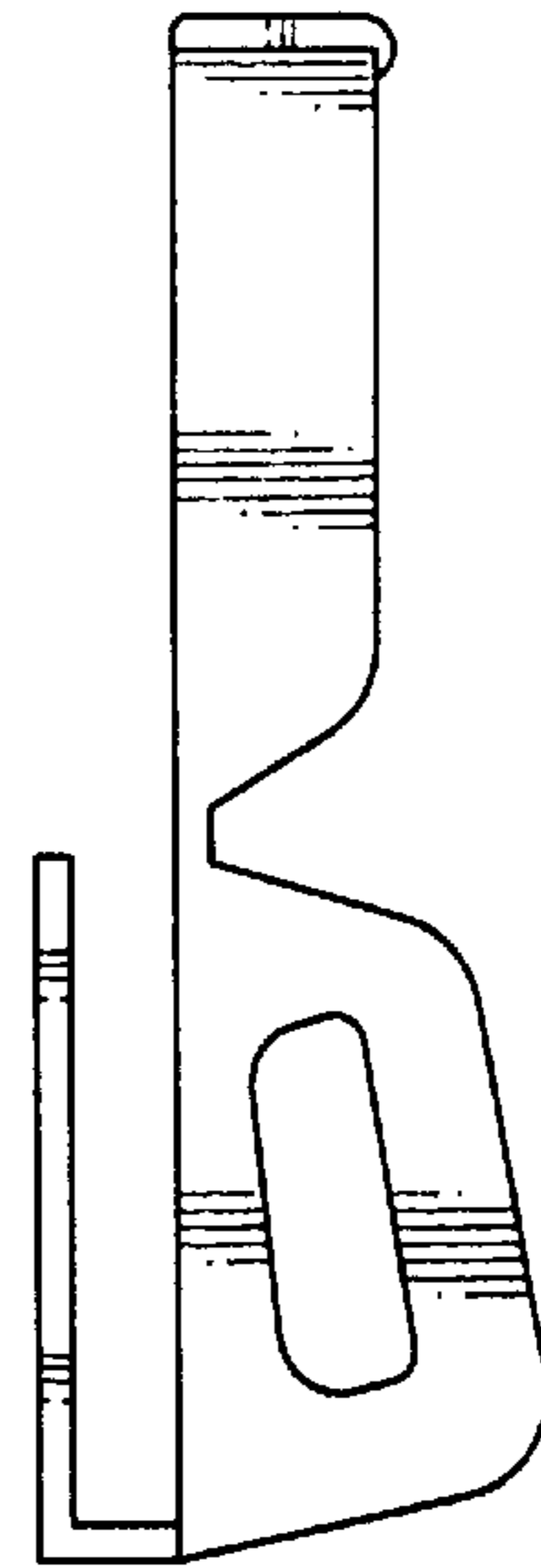


FIG. 5

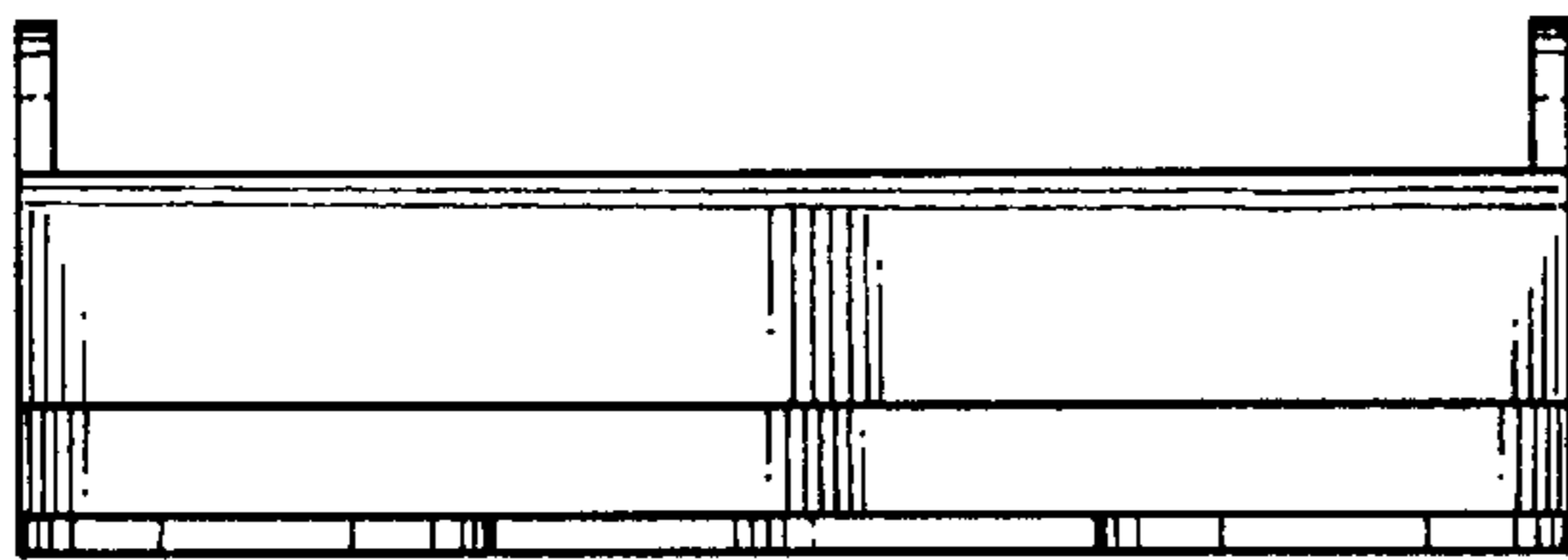


FIG. 6

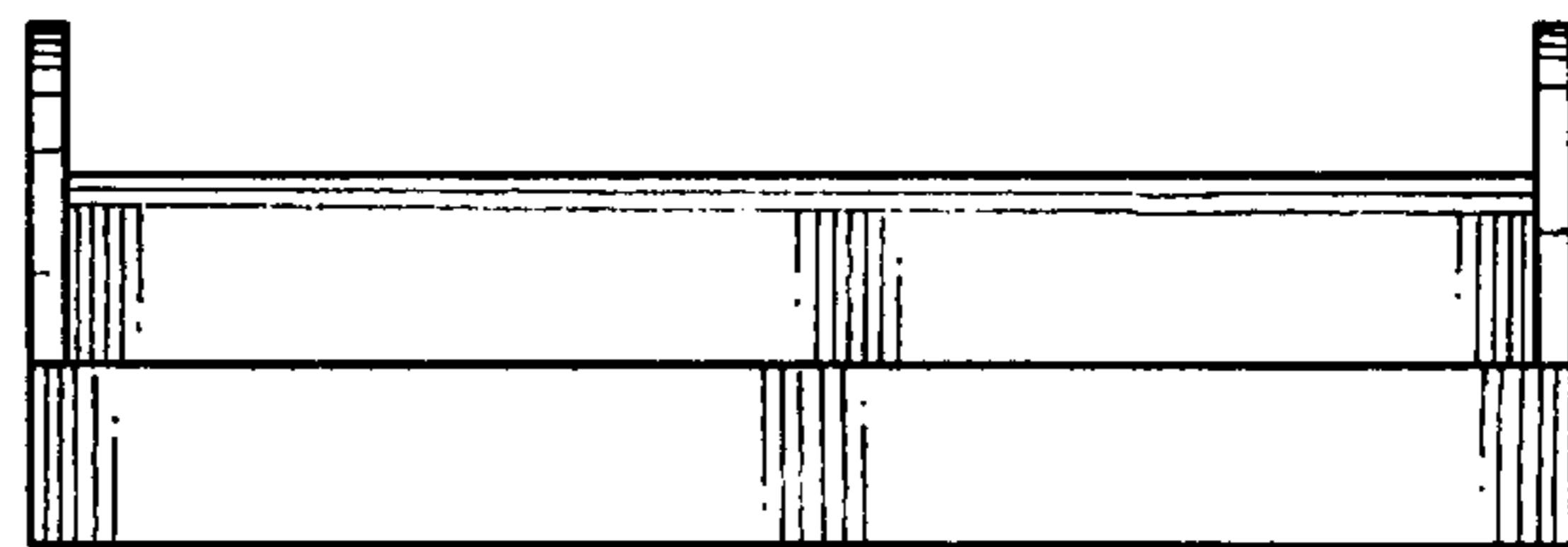


FIG. 7

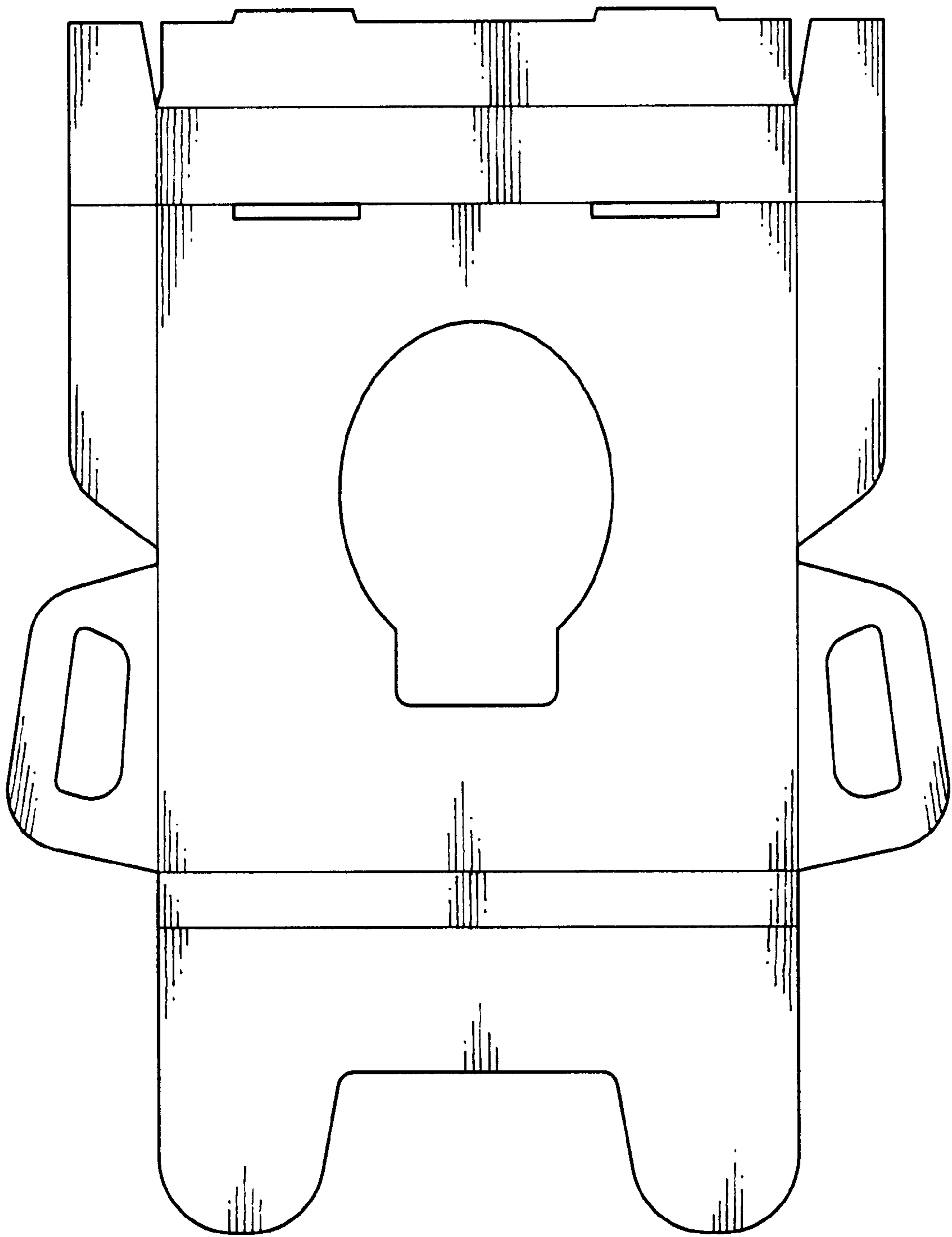


FIG.8