



US00D485889S

(12) **United States Design Patent**  
**DuBois**

(10) **Patent No.:** **US D485,889 S**

(45) **Date of Patent:** **\*\* Jan. 27, 2004**

(54) **COVER FOR AN OVERFLOW DRAIN**

*Primary Examiner*—Robin V. Taylor

(76) **Inventor:** **Kerry J. DuBois**, 210 St Peter St.,  
Houma, LA (US) 70363

(57) **CLAIM**

(\*\*) **Term:** **14 Years**

The ornamental design for a cover for an overflow drain, as shown and described.

(21) **Appl. No.:** **29/175,996**

**DESCRIPTION**

(22) **Filed:** **Feb. 19, 2003**

(51) **LOC (7) Cl.** ..... **23-01**

FIG. 1 is a top plan view of a cover for an overflow drain showing my new design.

(52) **U.S. Cl.** ..... **D23/260**

FIG. 2 is a bottom plan view of the cover for an overflow drain.

(58) **Field of Search** ..... D23/260, 261;  
4/286, 293, 255.07, 680

FIG. 3 is a side elevated view of the cover for an overflow drain.

(56) **References Cited**

**U.S. PATENT DOCUMENTS**

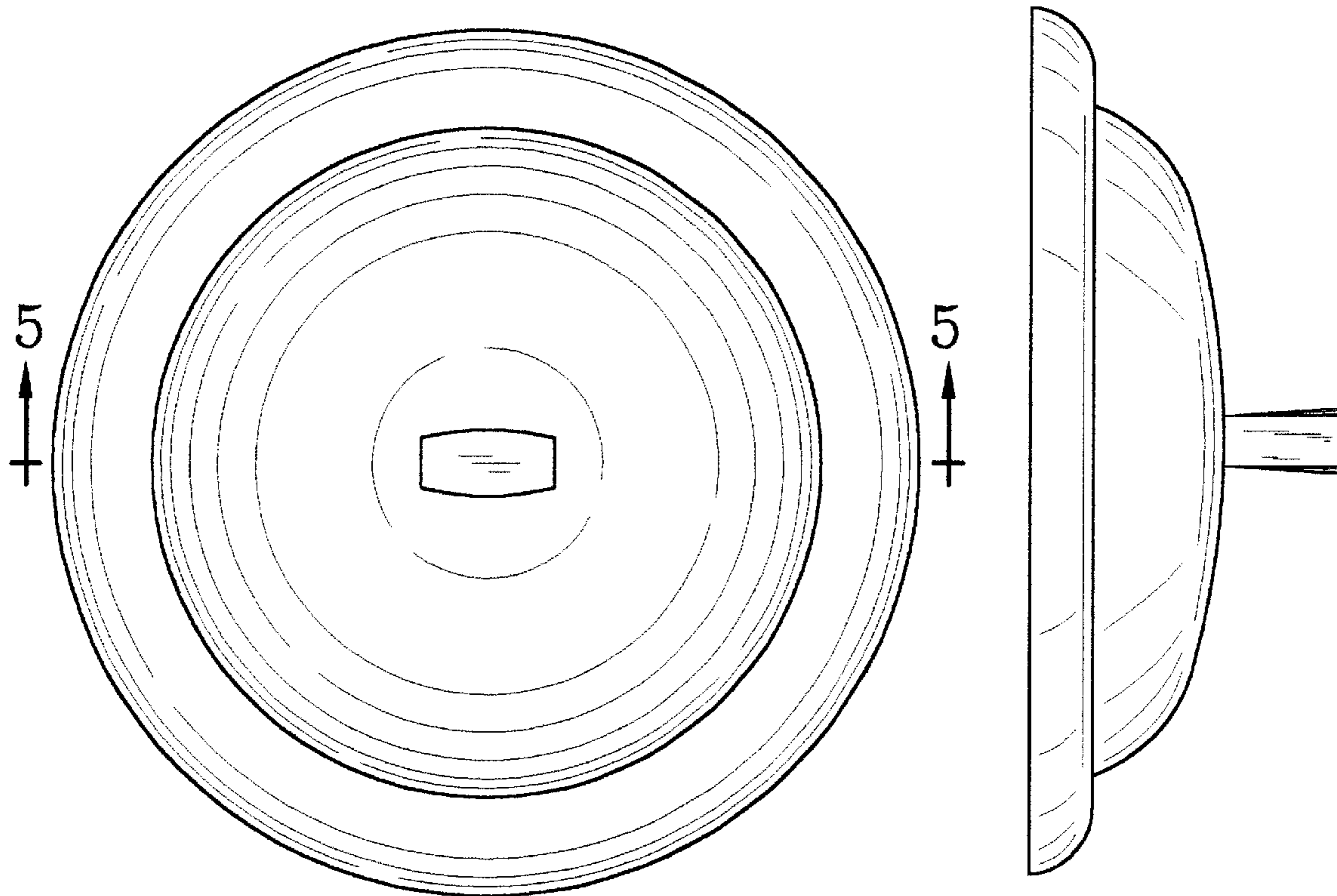
1,081,434 A	*	12/1913	Cote	.....	4/293
D305,455 S	*	1/1990	Stairs, Jr.	.....	D23/254
D336,948 S	*	6/1993	Frankel	.....	D23/261
D363,768 S	*	10/1995	Morgan	.....	D23/260
D379,403 S	*	5/1997	Jones	.....	D23/261

FIG. 4 is a side elevated view of the cover for an overflow drain; and,

FIG. 5 is a cross-sectional view taken along line 5—5 of FIG. 1 of the cover for an overflow drain.

\* cited by examiner

**1 Claim, 3 Drawing Sheets**



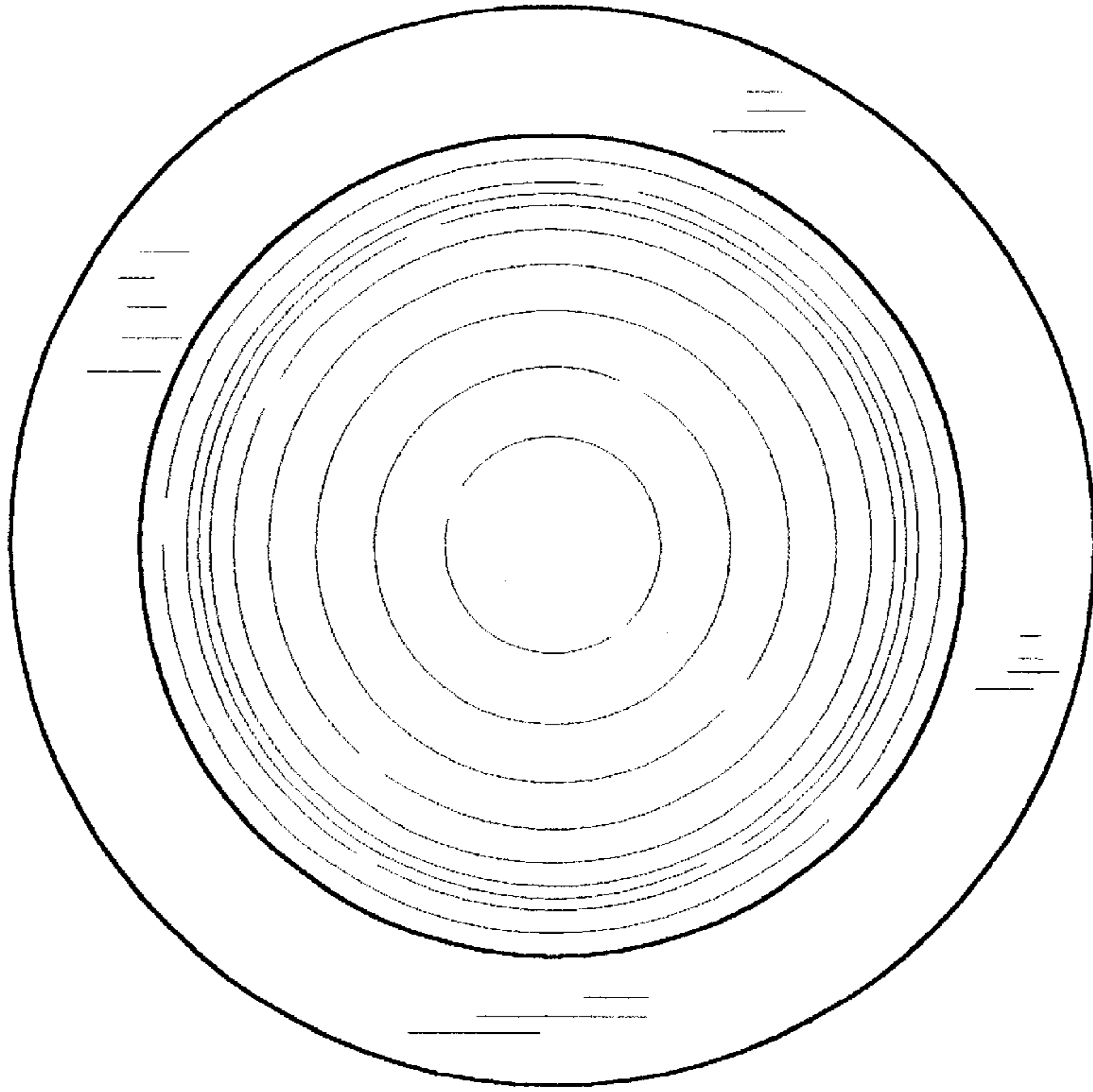


FIG. 1

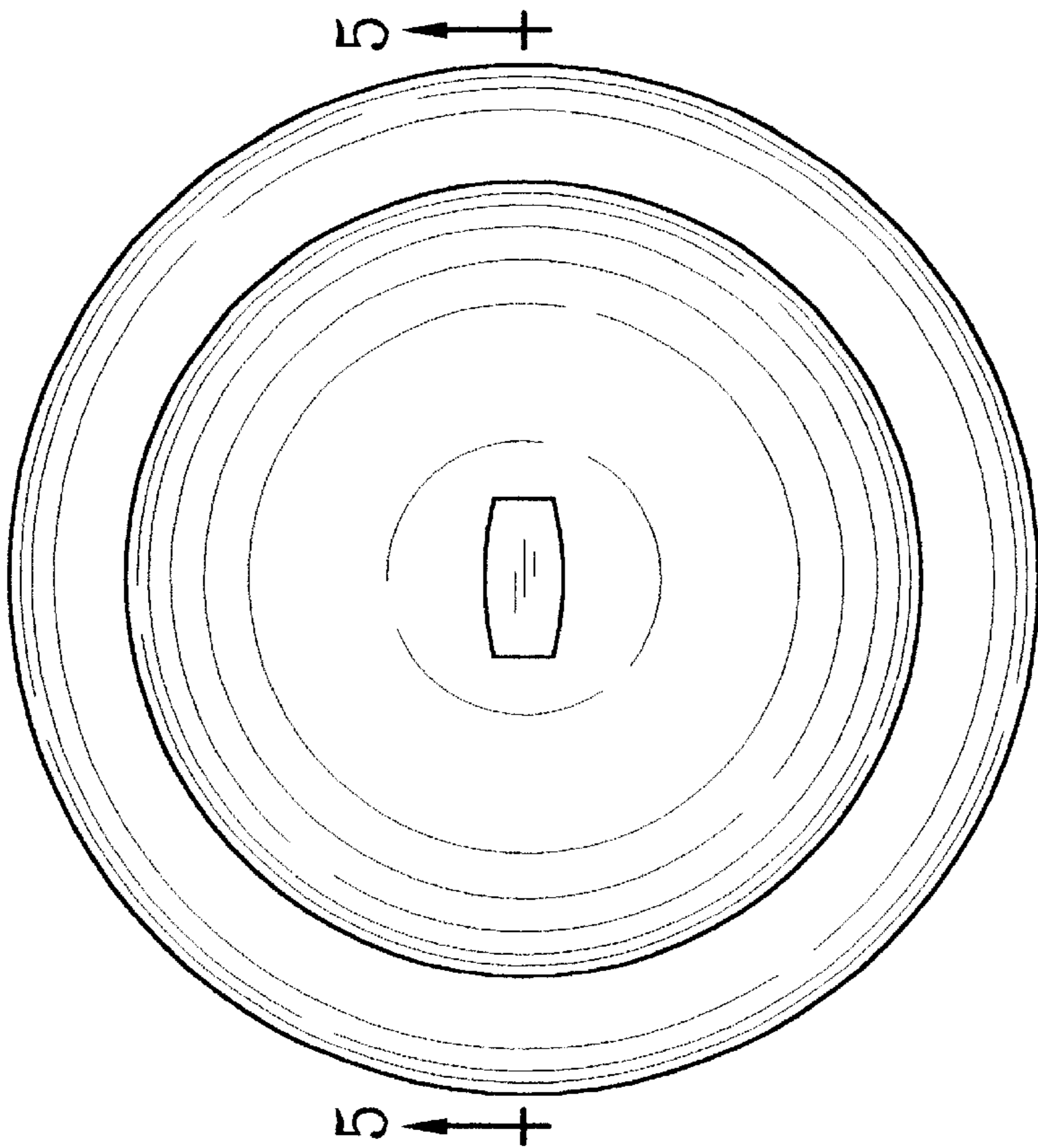


FIG. 2

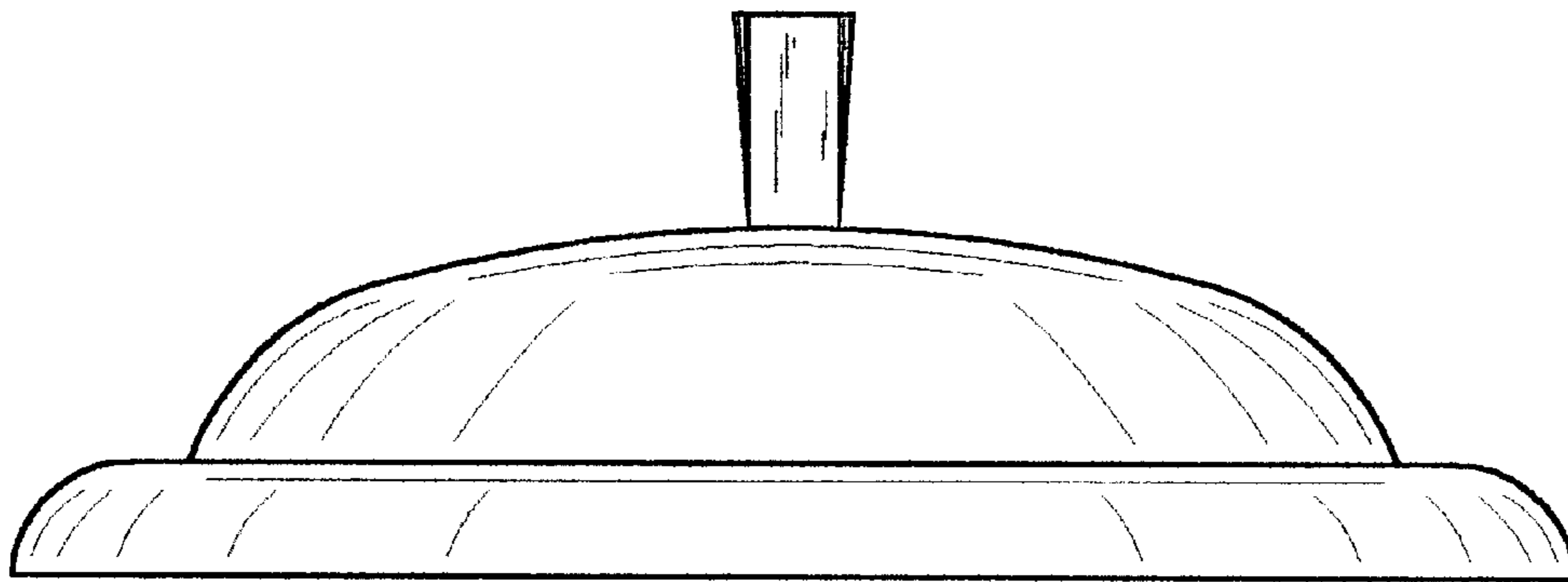


FIG. 3

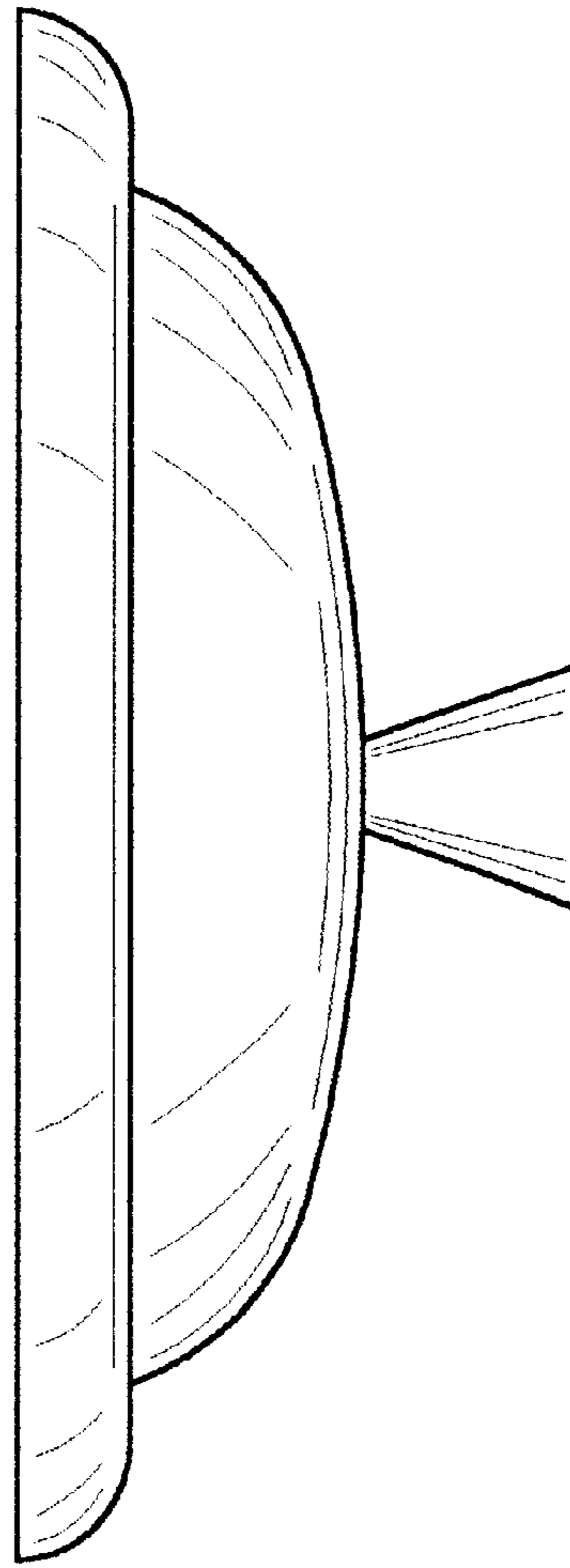


FIG. 4

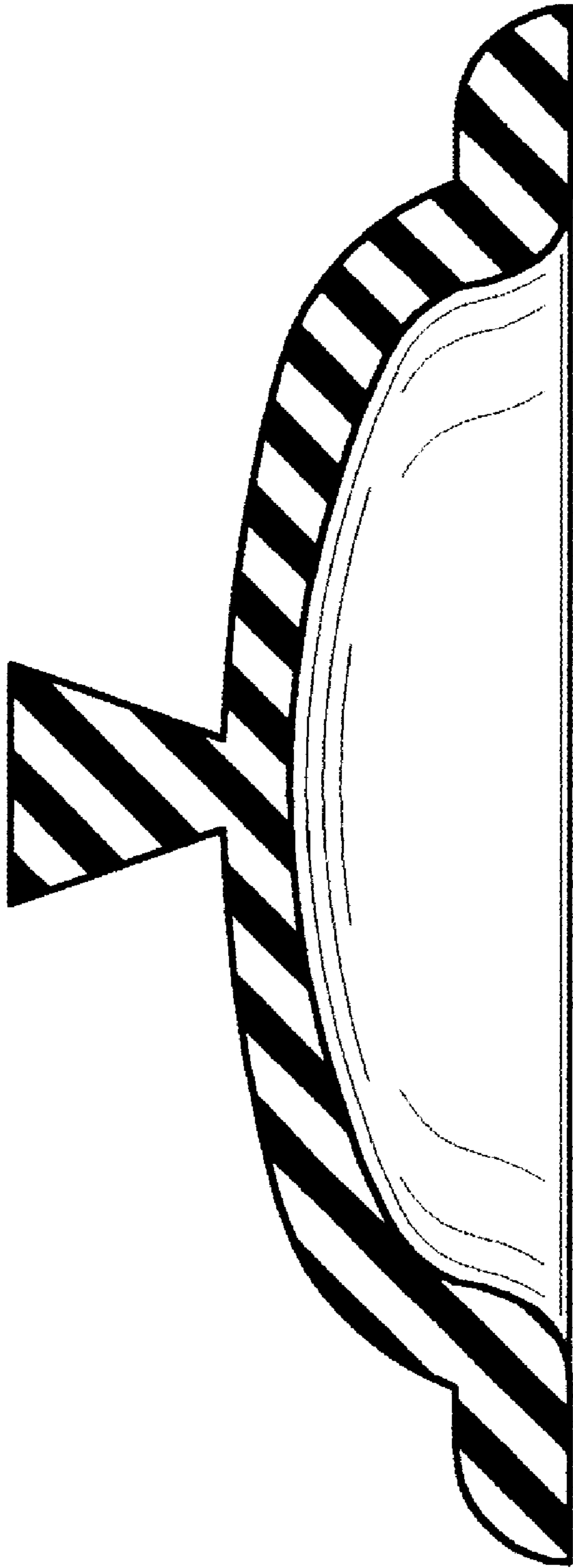


FIG. 5