



US00D485888S

(12) **United States Design Patent**  
**Moore**

(10) **Patent No.:** **US D485,888 S**

(45) **Date of Patent:** **\*\* Jan. 27, 2004**

(54) **ACTIVATION BUTTON FOR AN ELECTRONIC FAUCET**

D465,554 S \* 11/2002 Spangler et al. .... D23/238

\* cited by examiner

(75) Inventor: **Jeffrey L. Moore**, Frankfort, IN (US)

*Primary Examiner*—Louis S. Zarfes

*Assistant Examiner*—Deanne Levy

(73) Assignee: **Masco Corporation of Indiana**, Indianapolis, IN (US)

(74) *Attorney, Agent, or Firm*—Kwadjo Adusei-Poku; Lloyd D. Doigan

(\*\*) Term: **14 Years**

(57) **CLAIM**

(21) Appl. No.: **29/140,748**

The ornamental design for an activation button for an electronic faucet, as shown and described.

(22) Filed: **Apr. 24, 2001**

**DESCRIPTION**

(51) **LOC (7) Cl.** ..... **23-01**

(52) **U.S. Cl.** ..... **D23/249**

(58) **Field of Search** ..... D23/249, 238, D23/256, 250; 200/341, 338, 345; 4/678, 410, 405, 677, DIG. 3; 116/172; 250/465.1

FIG. 1 is a front perspective view of the activation button for an electronic faucet showing my new design; FIG. 2 is a left side elevation view thereof; FIG. 3 is a rear perspective view thereof; FIG. 4 is a rear elevational view thereof; FIG. 5 is a top plan view thereof; FIG. 6 is a front elevation view thereof; and, FIG. 7 is a right side elevation view thereof.

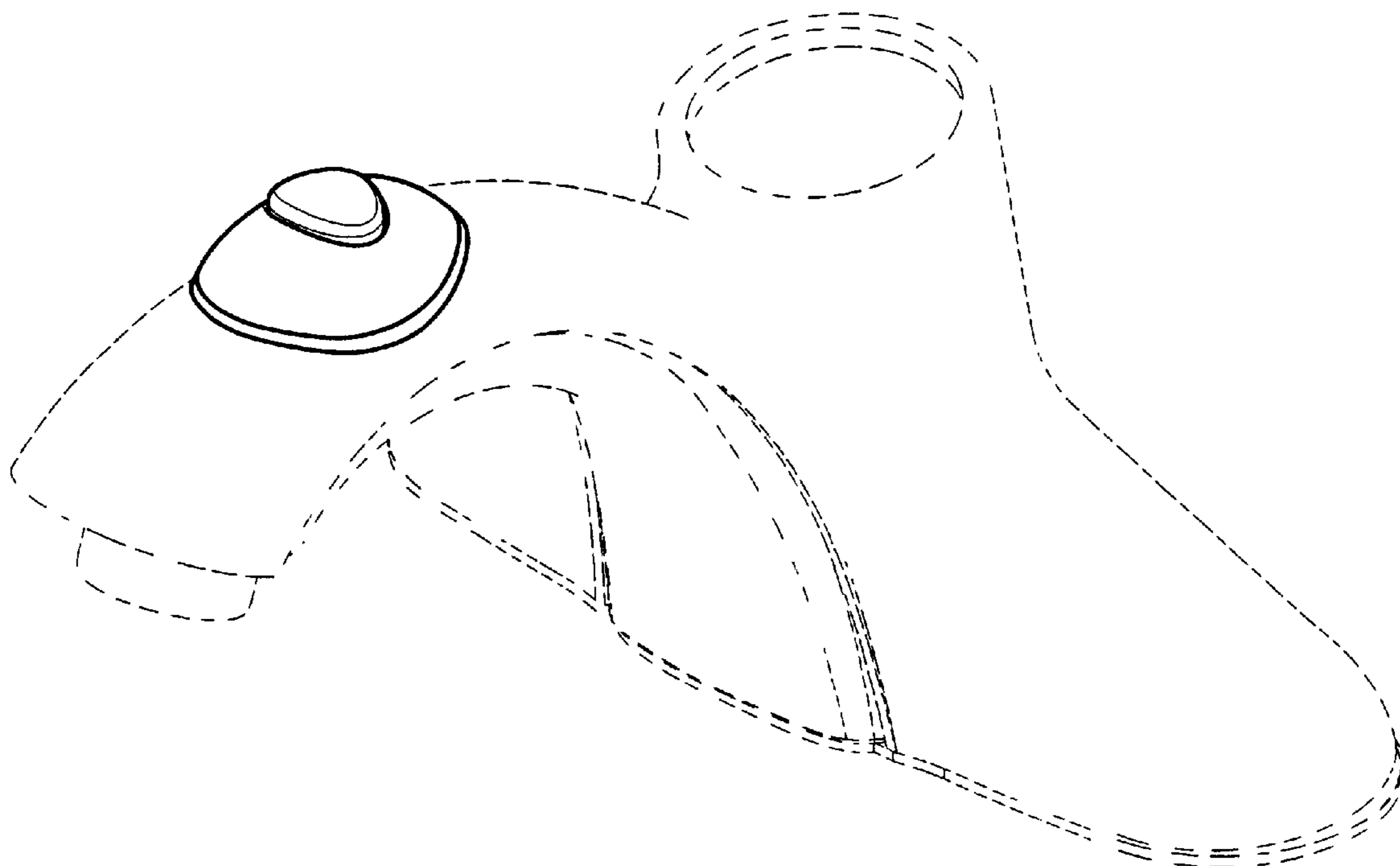
(56) **References Cited**

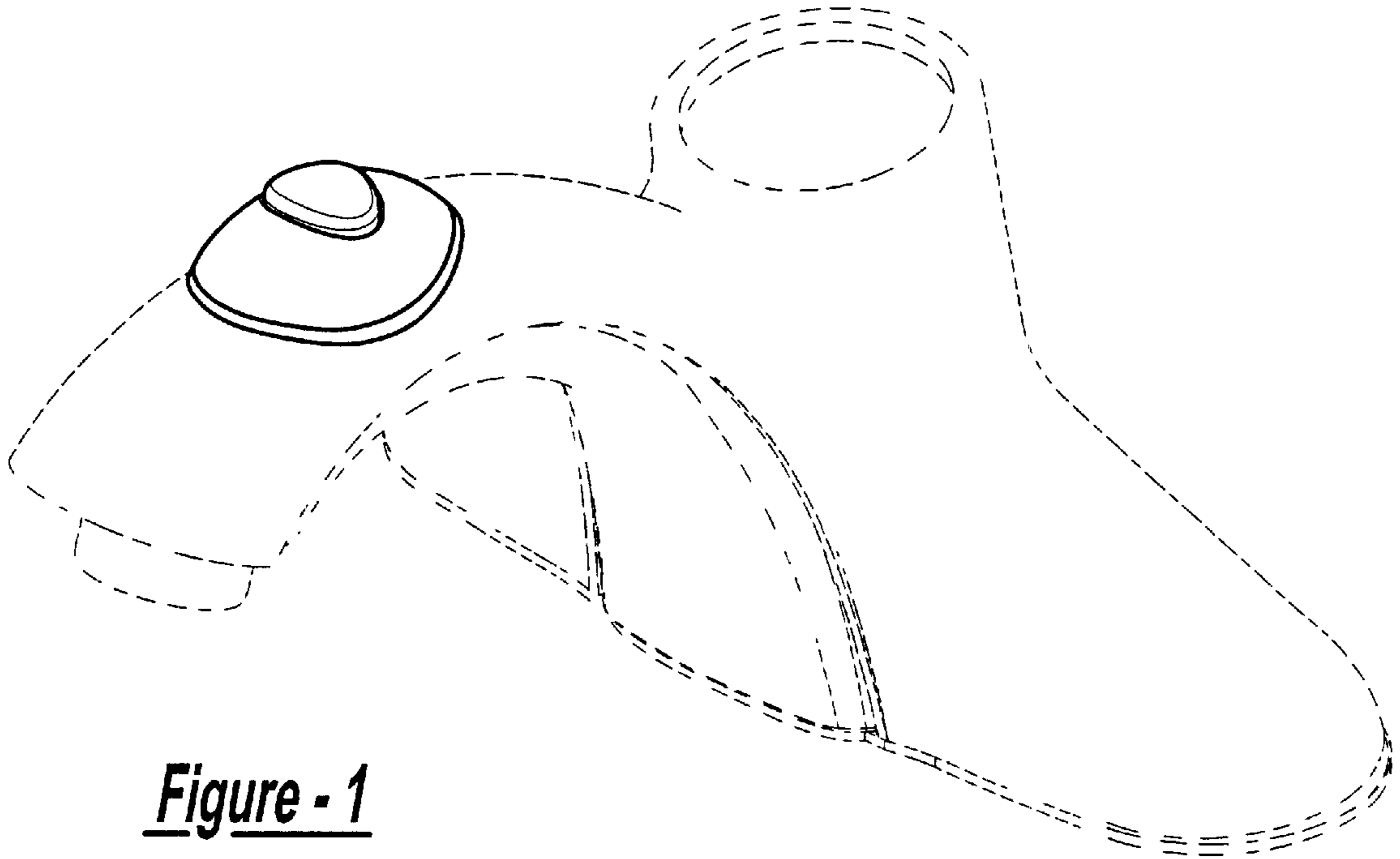
**U.S. PATENT DOCUMENTS**

D378,775 S	*	4/1997	Kergoet	.....	D23/250
D430,923 S	*	9/2000	Fleischmann	.....	D23/250
D463,845 S	*	10/2002	Spangler et al.	.....	D23/238
D464,112 S	*	10/2002	Spangler et al.	.....	D23/238
D464,709 S	*	10/2002	Spangler et al.	.....	D23/238

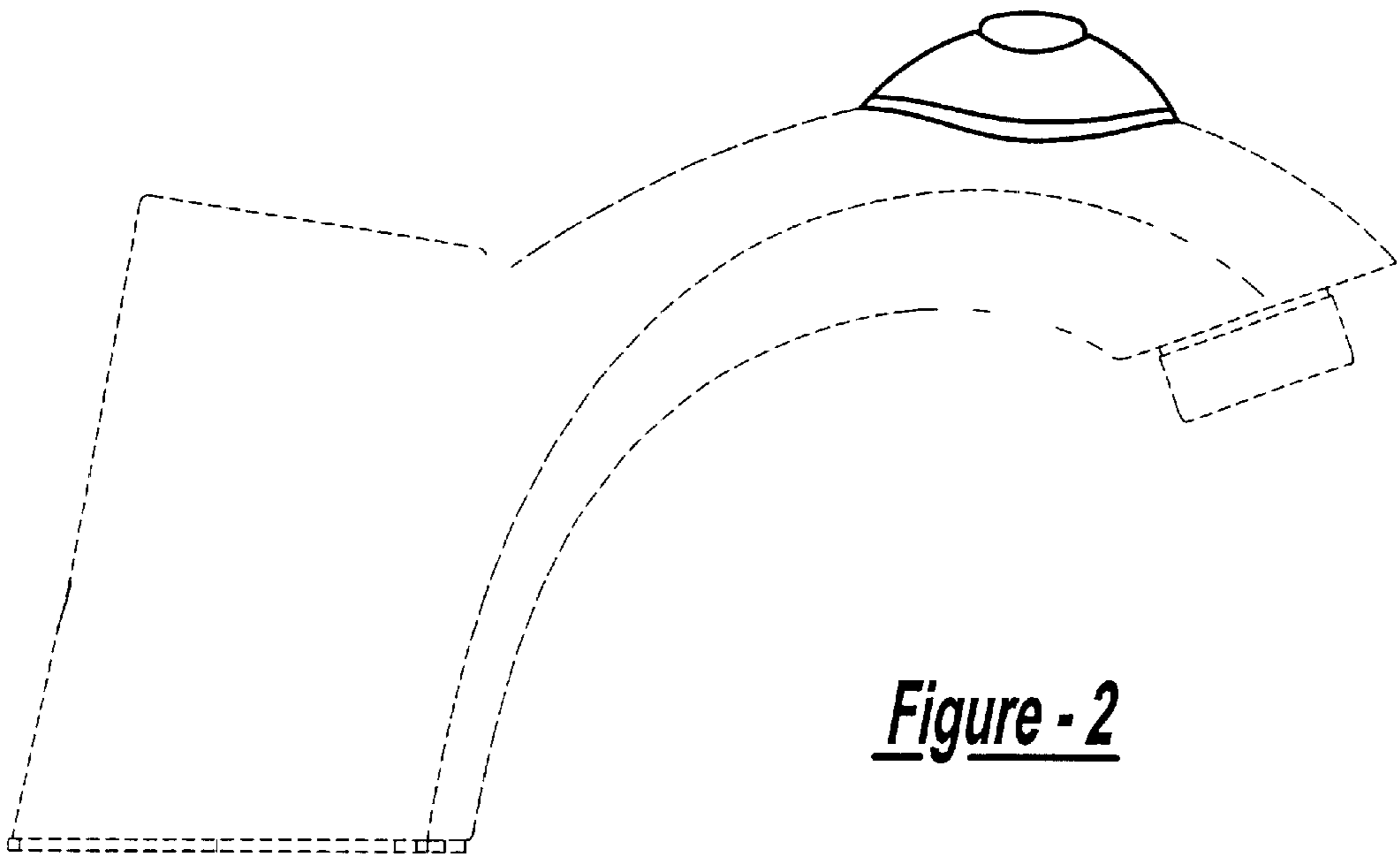
The broken line showing of the faucet in FIGS. 1-7 is for purposes of illustration only and forms no part of the claimed design.

**1 Claim, 4 Drawing Sheets**





**Figure - 1**



**Figure - 2**

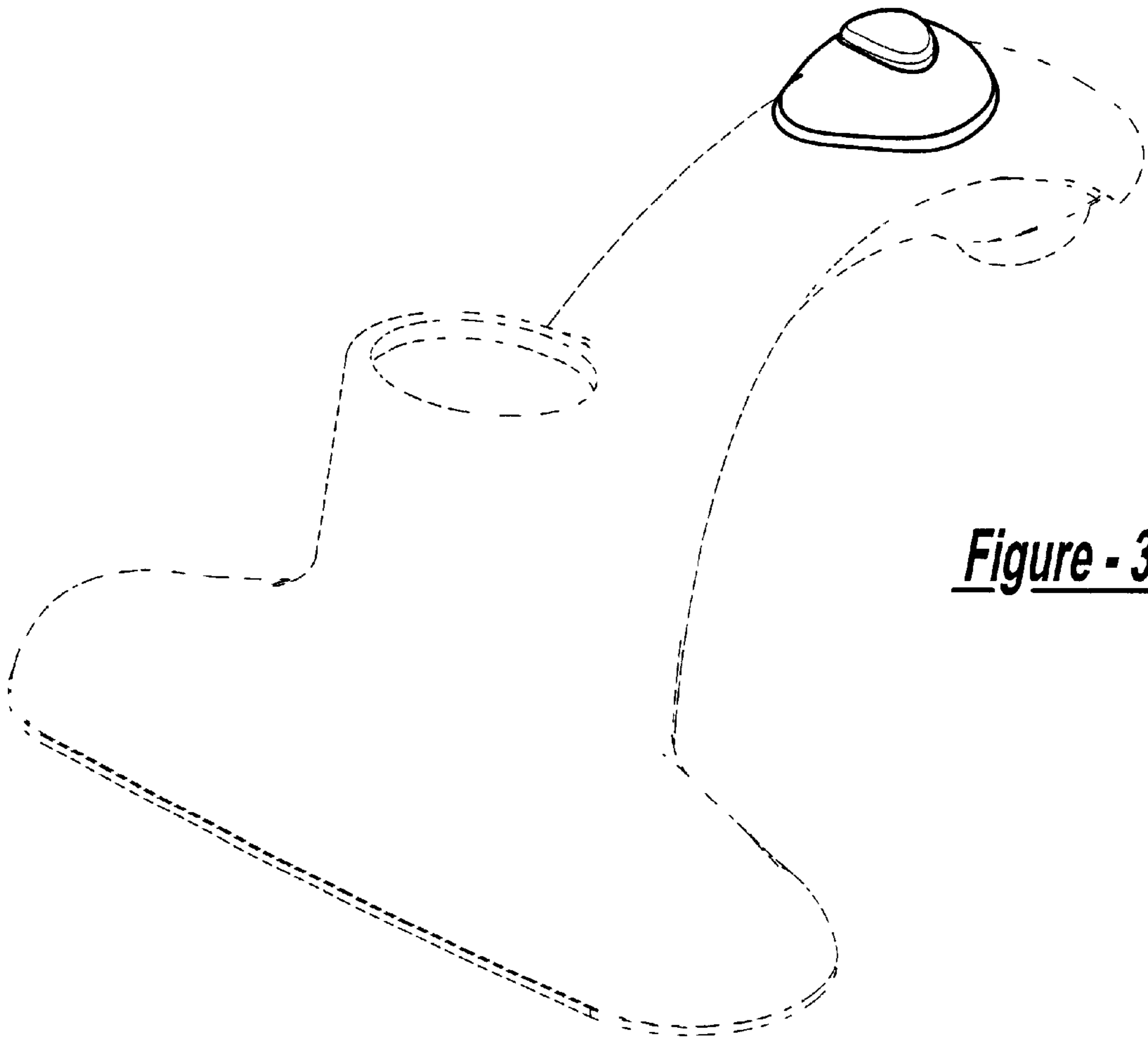


Figure - 3

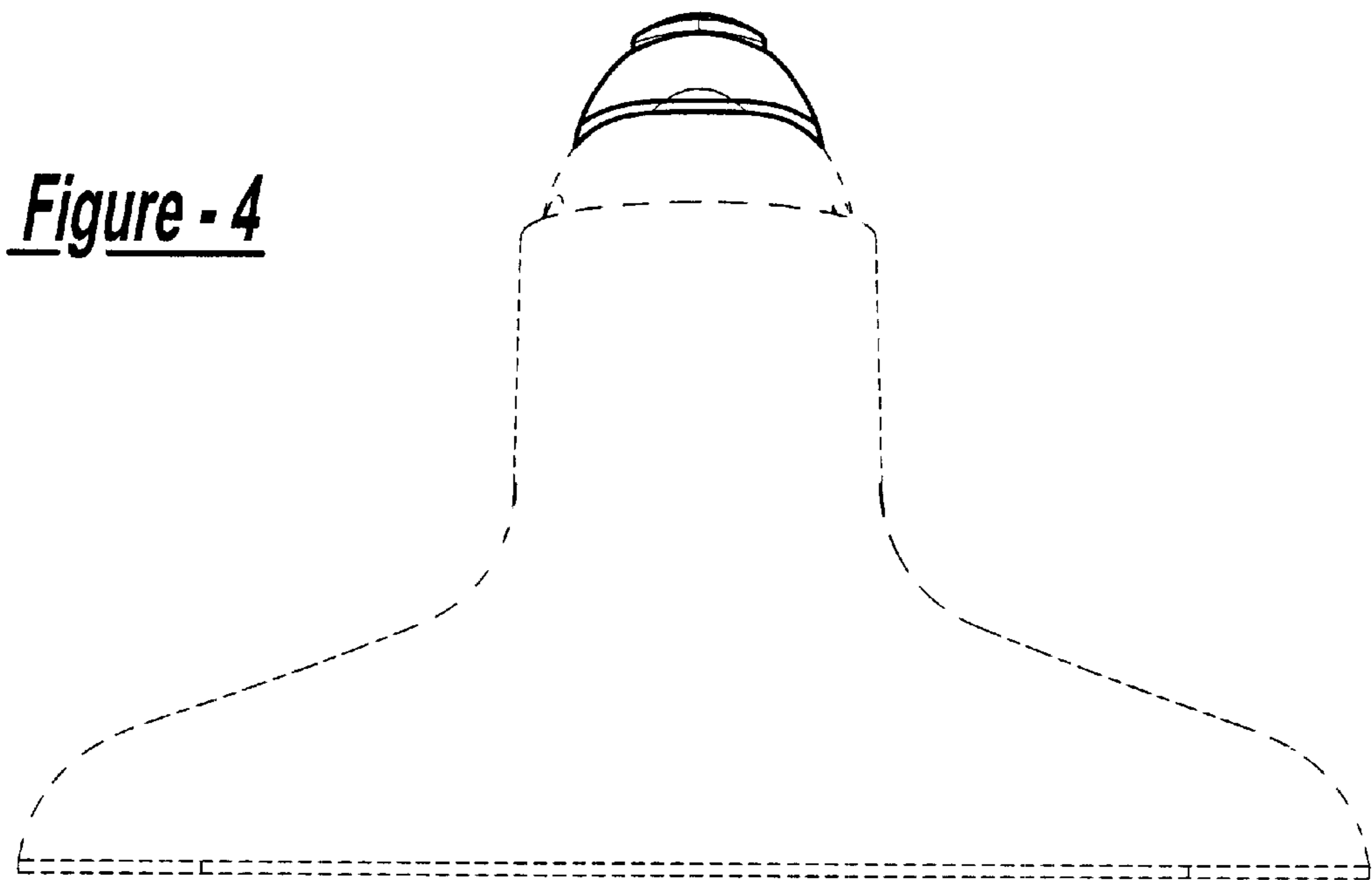


Figure - 4

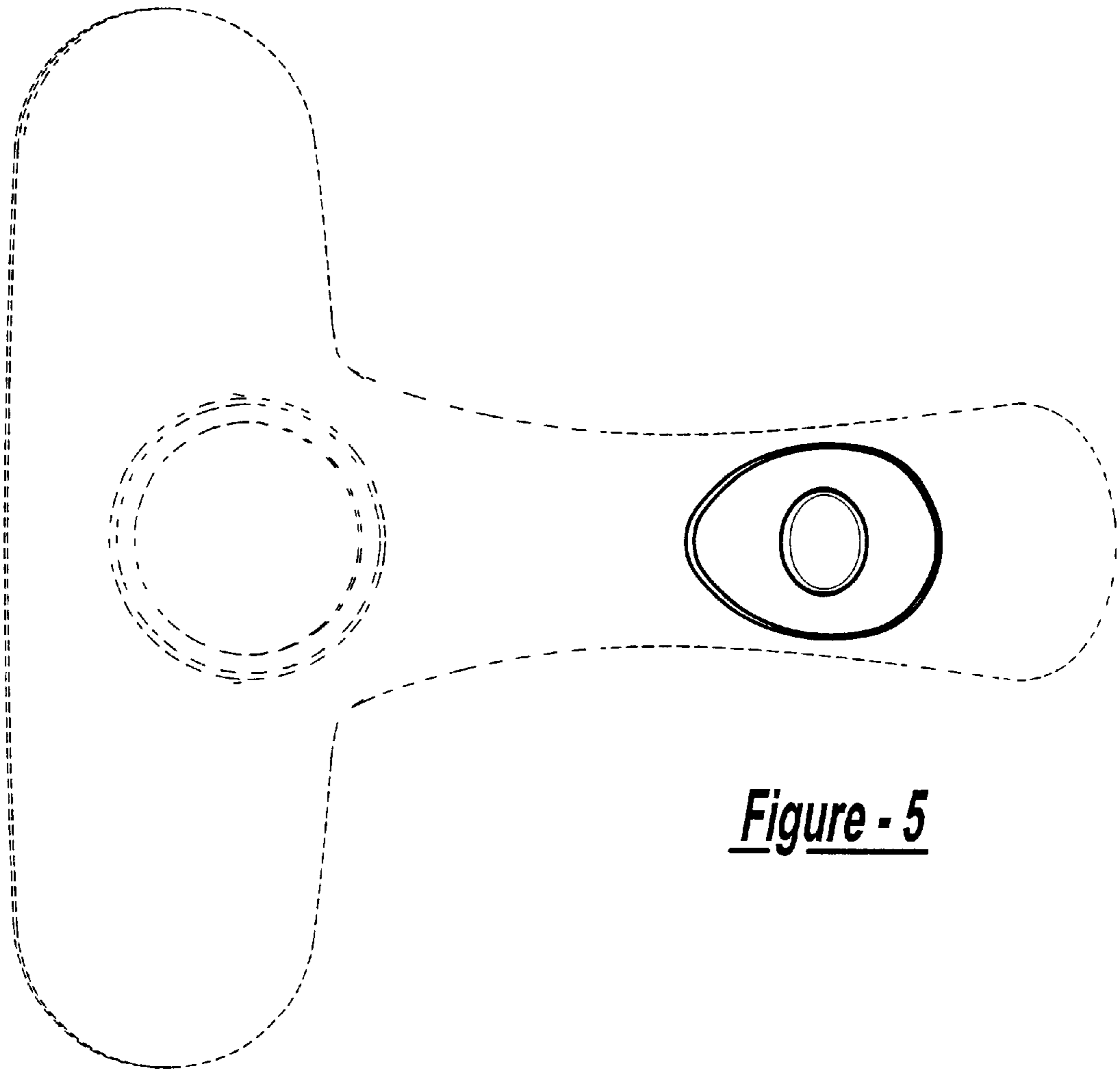


Figure - 5

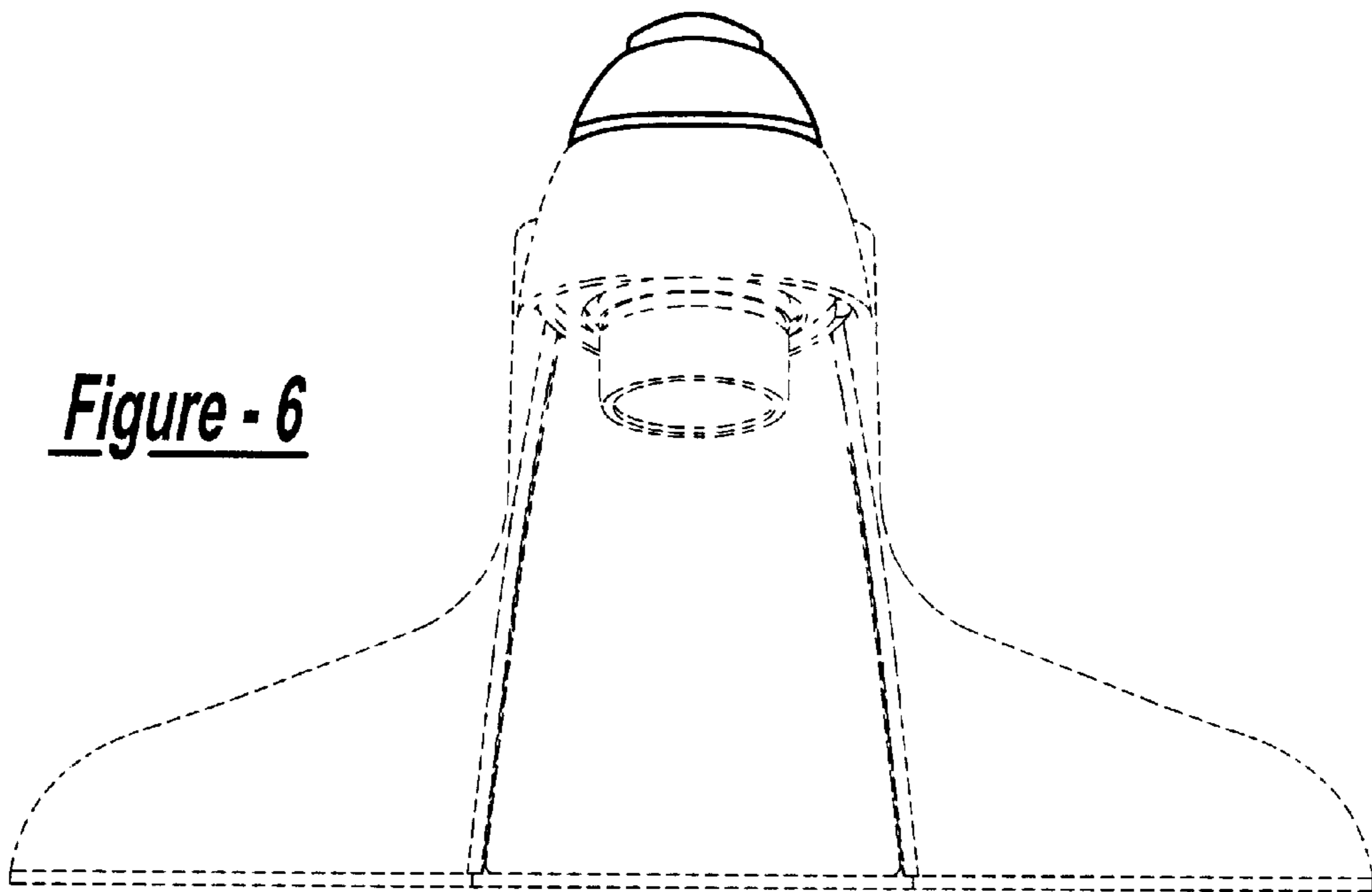


Figure - 6

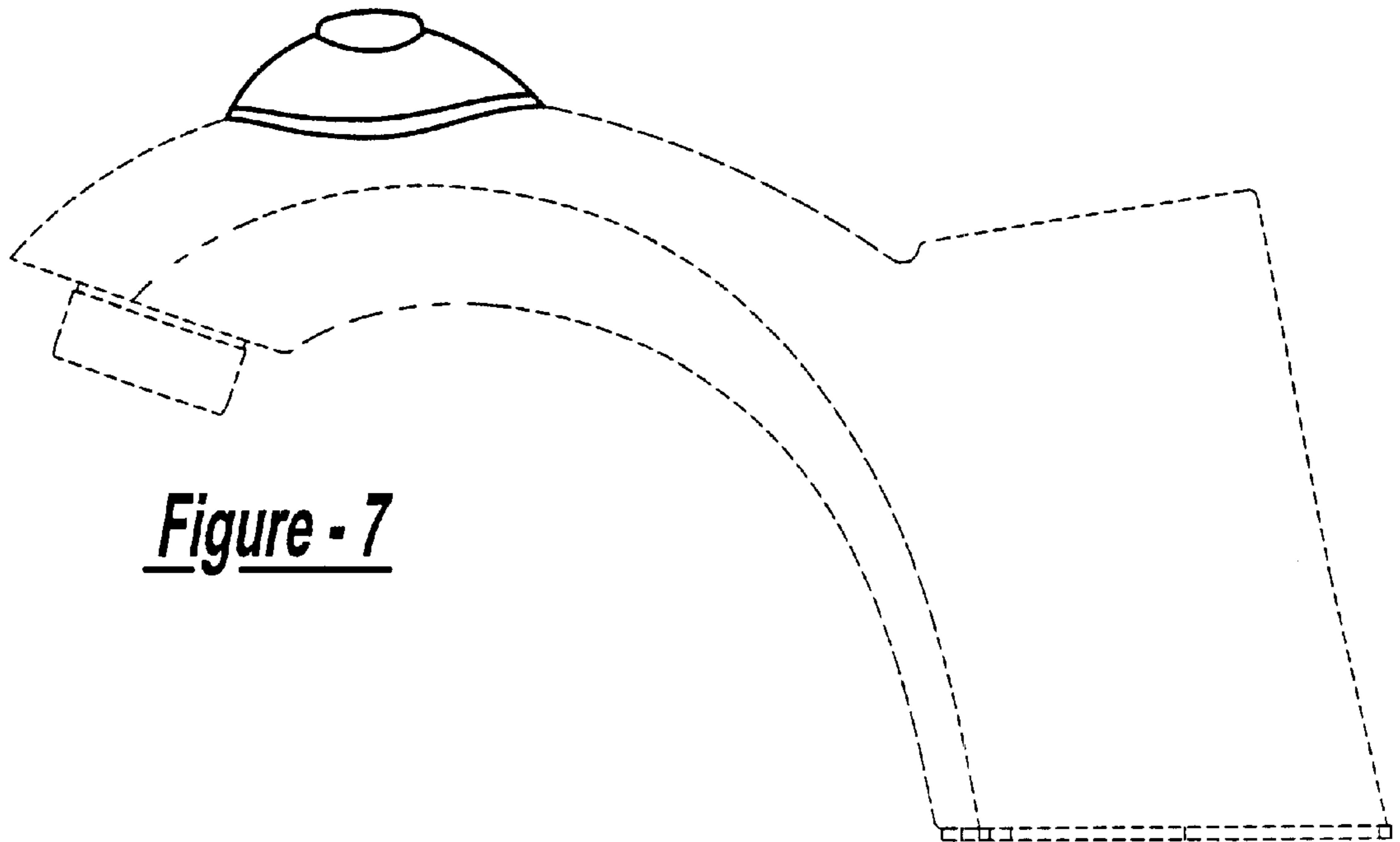


Figure - 7