



US00D485883S

(12) **United States Design Patent**  
**Admire**

(10) **Patent No.:** **US D485,883 S**

(45) **Date of Patent:** **\*\* Jan. 27, 2004**

(54) **RODENT GUARD FOR UTILITY POLES**

(74) *Attorney, Agent, or Firm*—Mark E. Brown

(75) **Inventor:** **Jerry S. Admire**, Nocona, TX (US)

(57) **CLAIM**

(73) **Assignee:** **Advanced Pedestals, Ltd.**, Gainesville, TX (US)

The ornamental design for a rodent guard for utility poles, as shown and described.

(\*\*) **Term:** **14 Years**

**DESCRIPTION**

(21) **Appl. No.:** **29/180,803**

FIG. 1 is an upper, front, left side perspective view of a rodent guard for utility poles, showing my new design; FIG. 2 is a perspective view thereof, showing the guard mounted on a utility pole with lines protruding therefrom; the environment comprising a utility pole and lines are shown in dashed lines for illustrative purposes only.

(22) **Filed:** **Apr. 30, 2003**

(51) **LOC (7) Cl.** ..... **22-06**

(52) **U.S. Cl.** ..... **D22/119**

(58) **Field of Search** ..... D22/119–125,  
D22/199; 43/1, 58, 59, 124, 131; 114/221 R;  
174/40 R

FIG. 3 is another perspective view thereof, showing the guard mounted on a utility pole with a larger bundle of lines protruding therefrom; the environment comprising a utility pole and lines are shown in dashed lines for illustrative purposes only

(56) **References Cited**

**U.S. PATENT DOCUMENTS**

2,617,378	A	*	11/1952	Osol	.....	114/221	R
4,570,564	A	*	2/1986	Salvarezza	.....	114/221	R
5,184,415	A	*	2/1993	Hattenbach et al.	.....	43/58	
5,293,721	A	*	3/1994	Richard et al.	.....	52/101	
5,570,652	A	*	11/1996	Ferland	.....	114/221	R
6,011,219	A	*	1/2000	Casmero	.....	174/40	R
D470,563	S	*	2/2003	Arai	.....	D22/119	

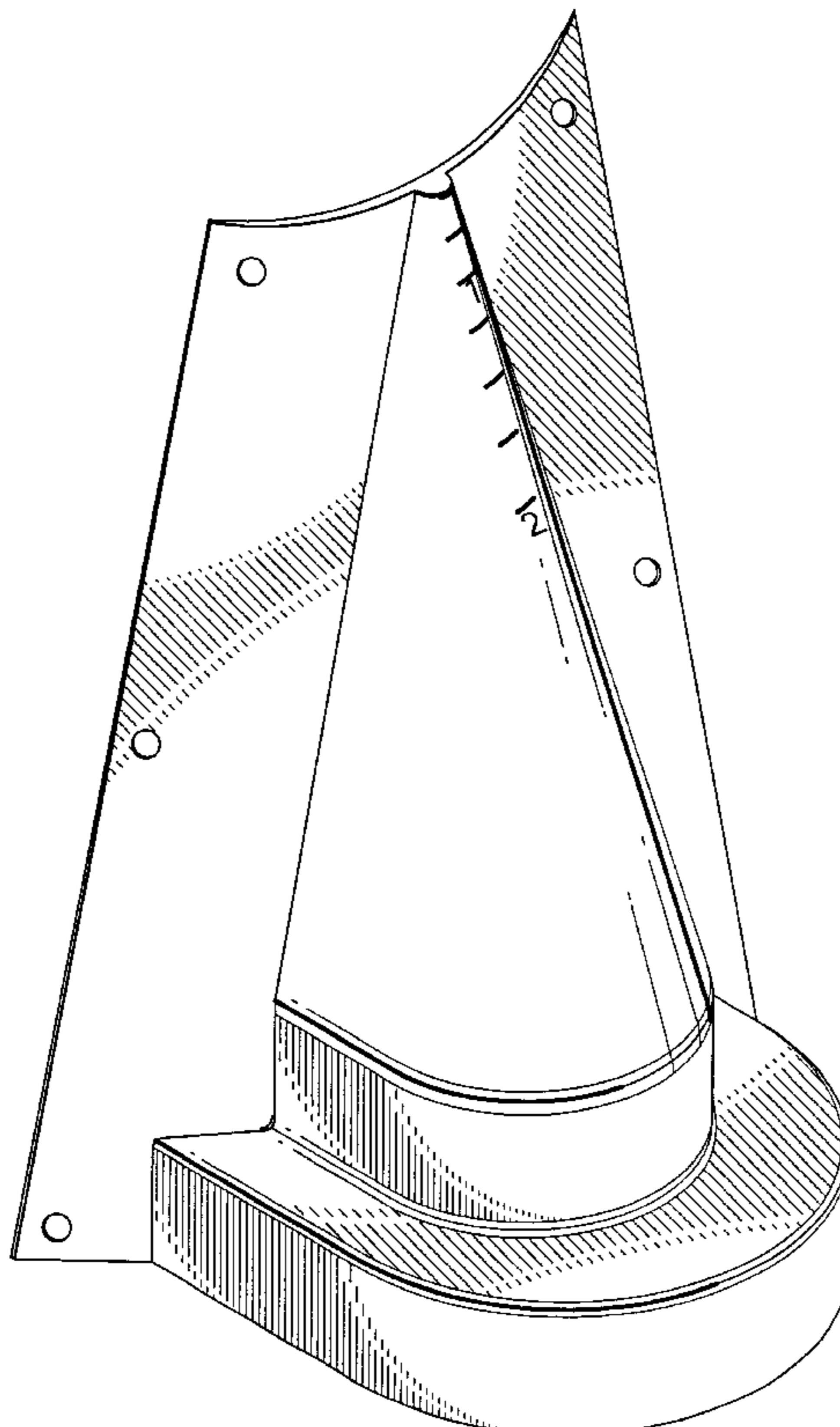
FIG. 4 is a front elevational view thereof;  
FIG. 5 is a rear elevational view thereof;  
FIG. 6 is a left side elevational view thereof, the right side elevation being a mirror image thereof;  
FIG. 7 is a top plan view thereof; and,  
FIG. 8 is a bottom plan view thereof.

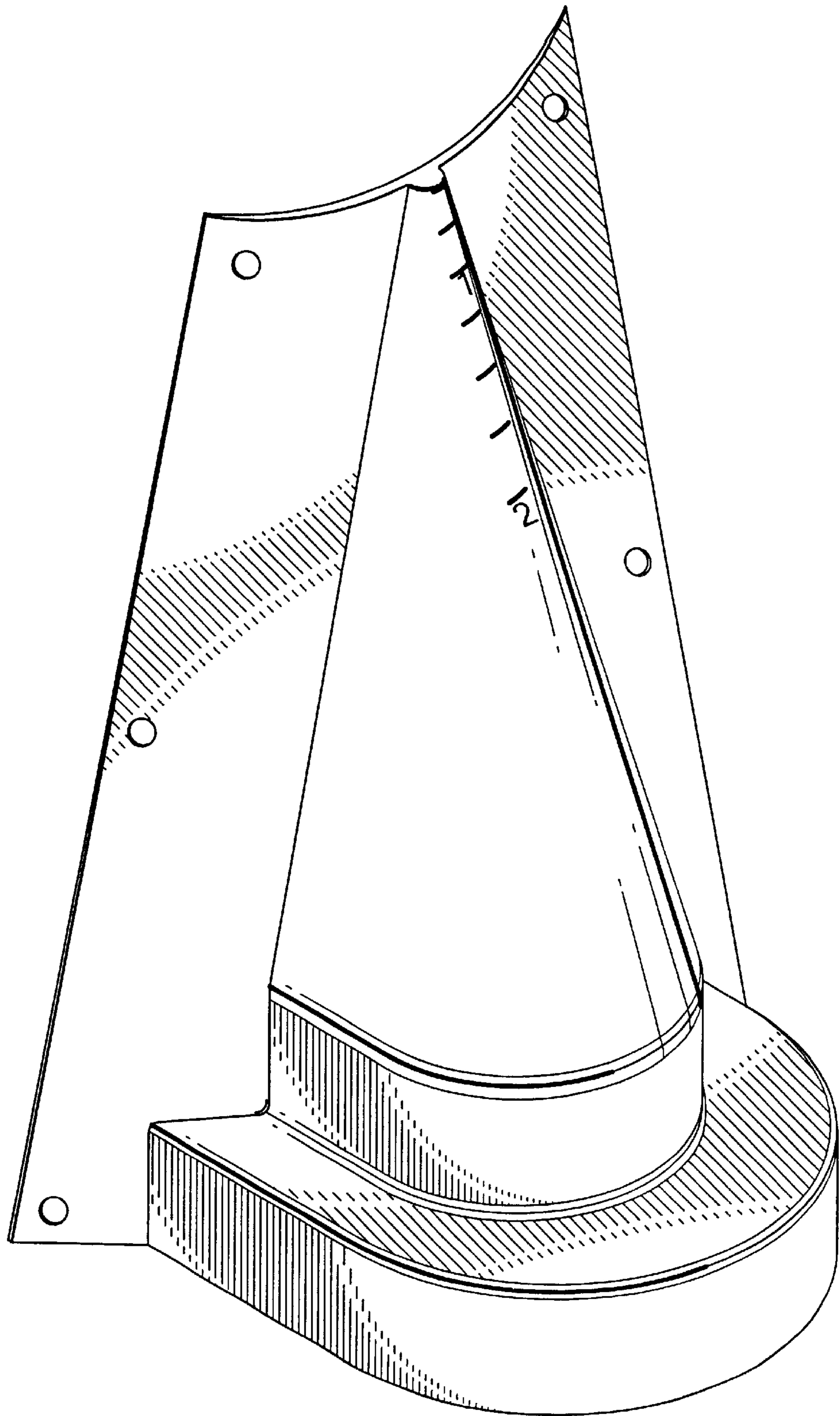
The broken line showing of environment in the drawings is for illustrative purposes only and forms no part of the claimed design.

\* cited by examiner

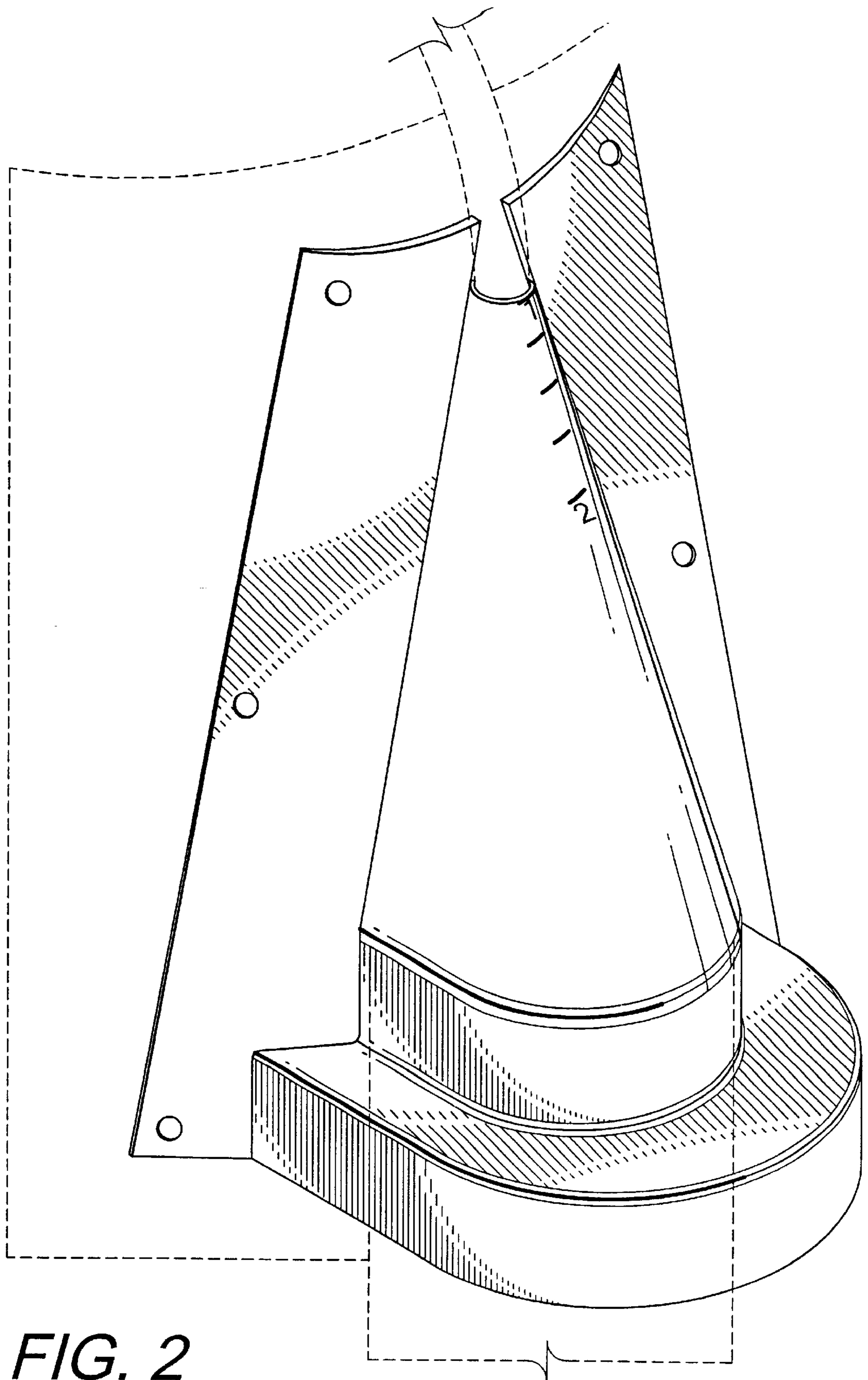
*Primary Examiner*—Catherine R. Oliver

**1 Claim, 8 Drawing Sheets**

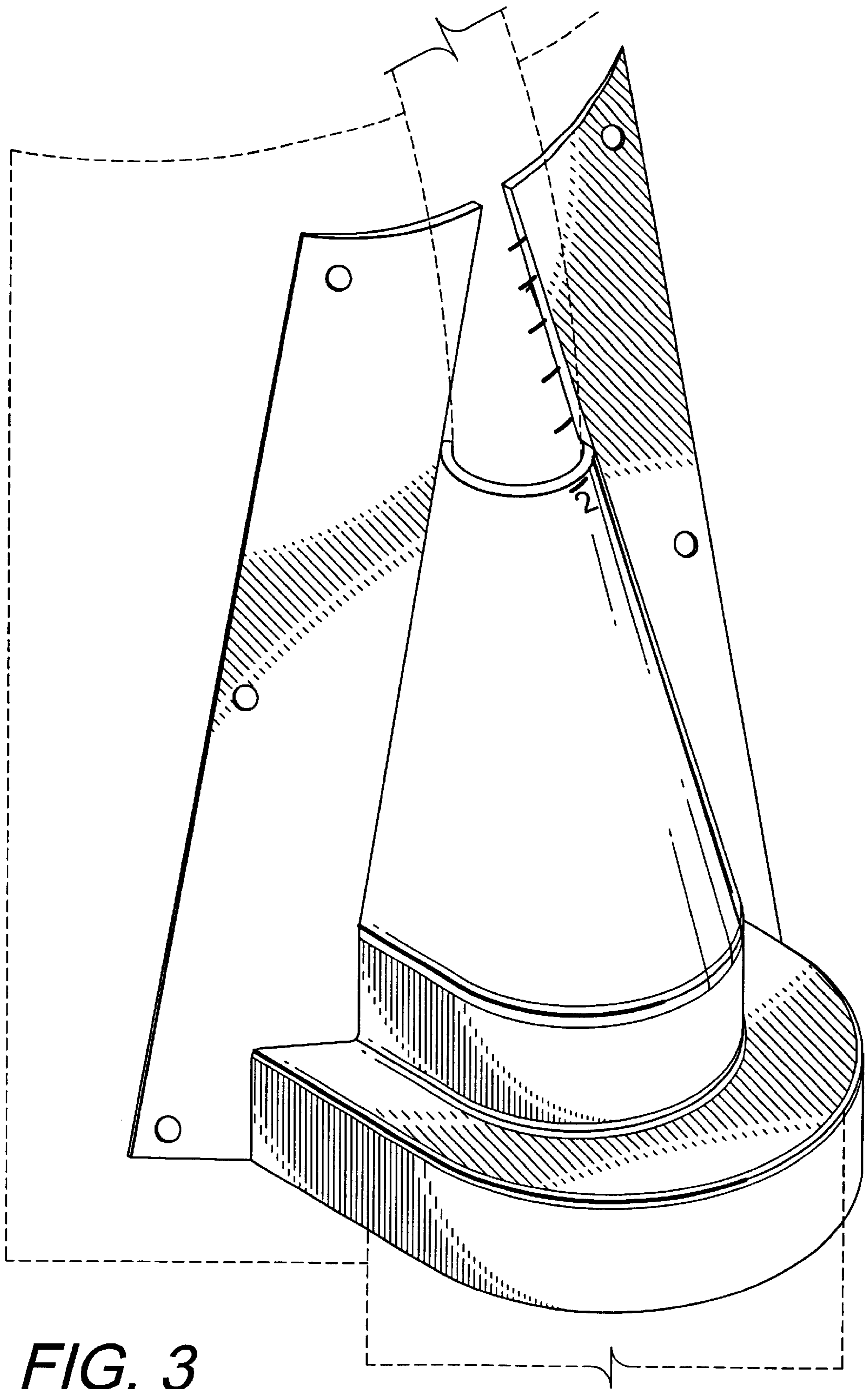




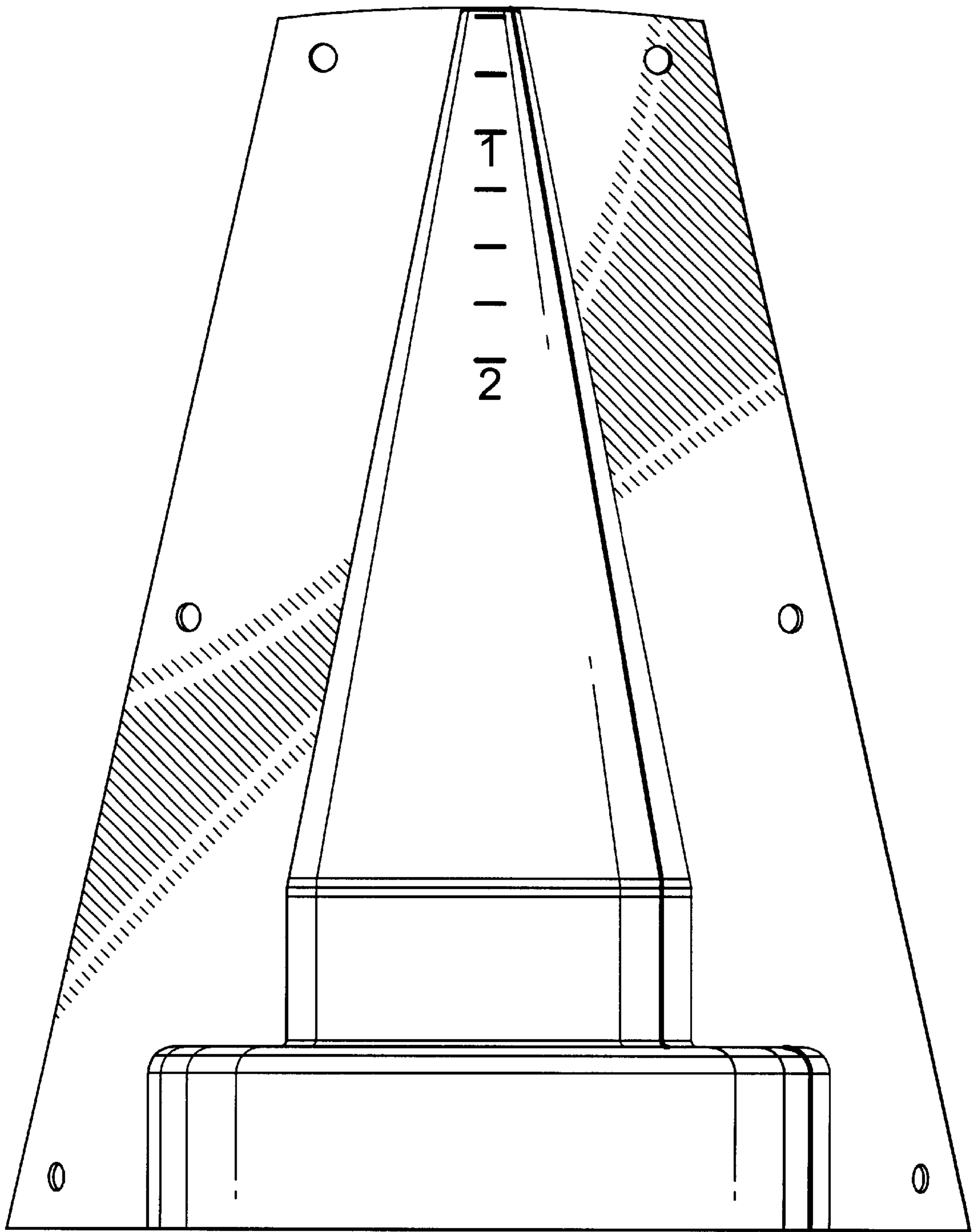
**FIG. 1**



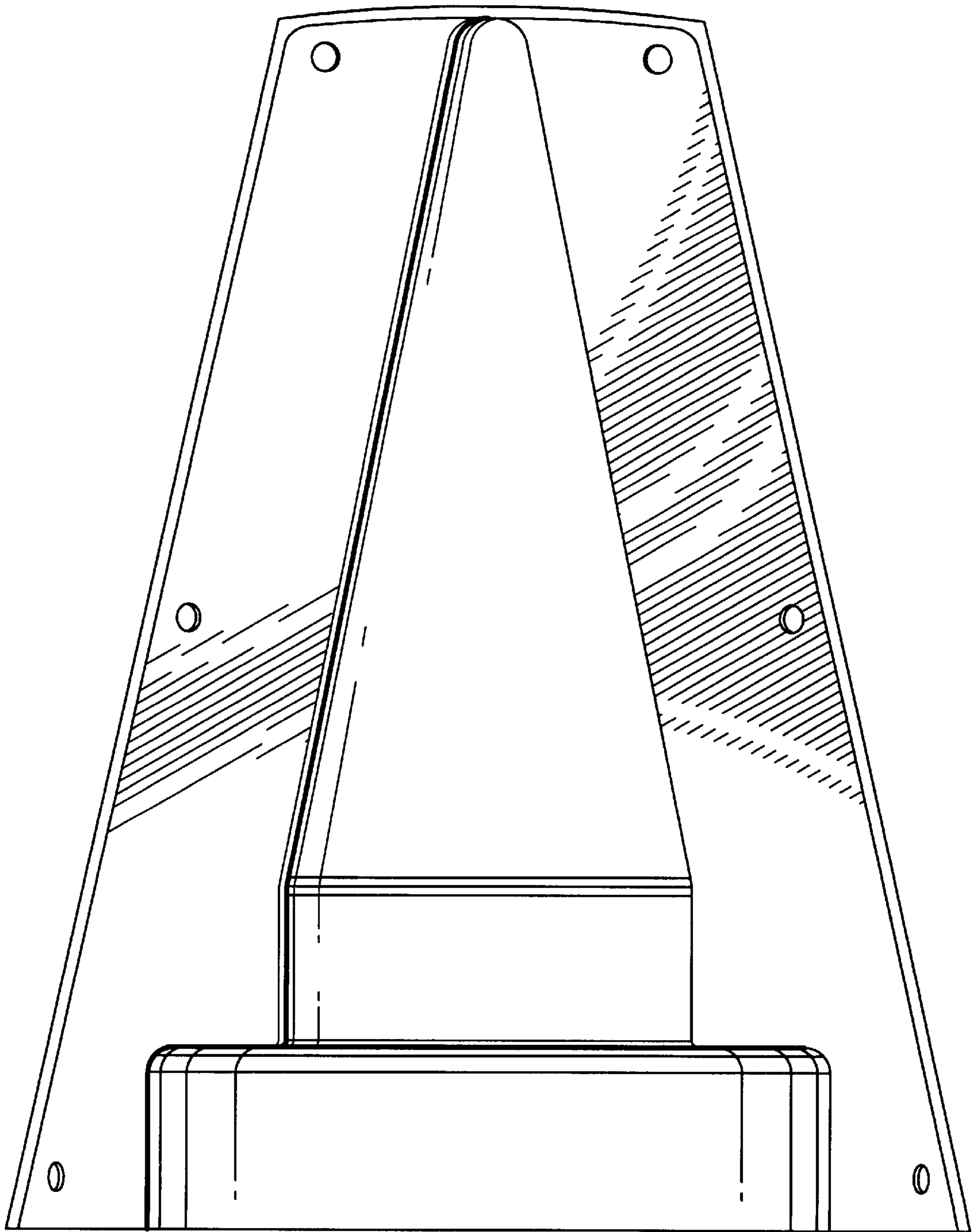
**FIG. 2**



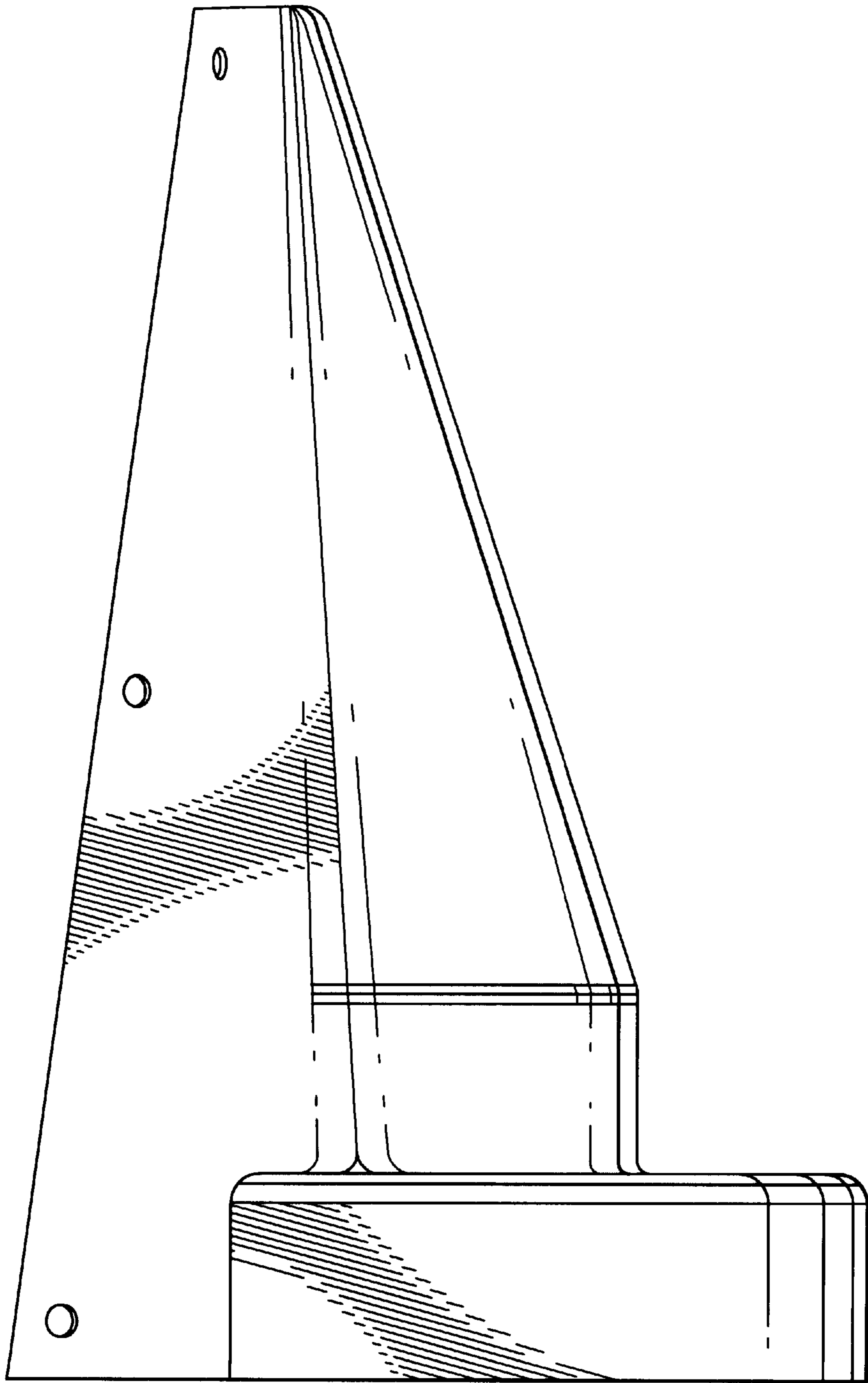
**FIG. 3**



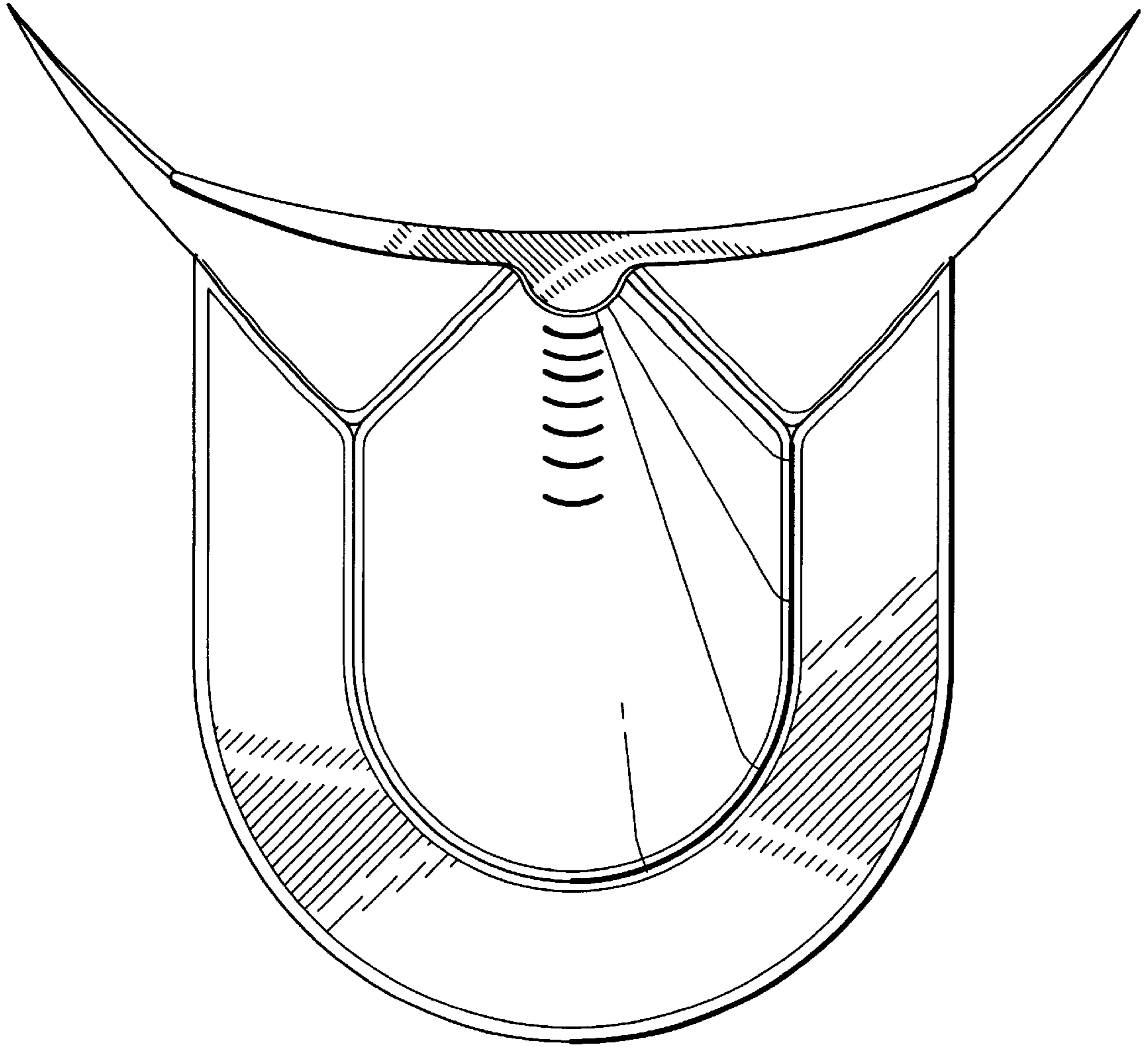
**FIG. 4**



**FIG. 5**

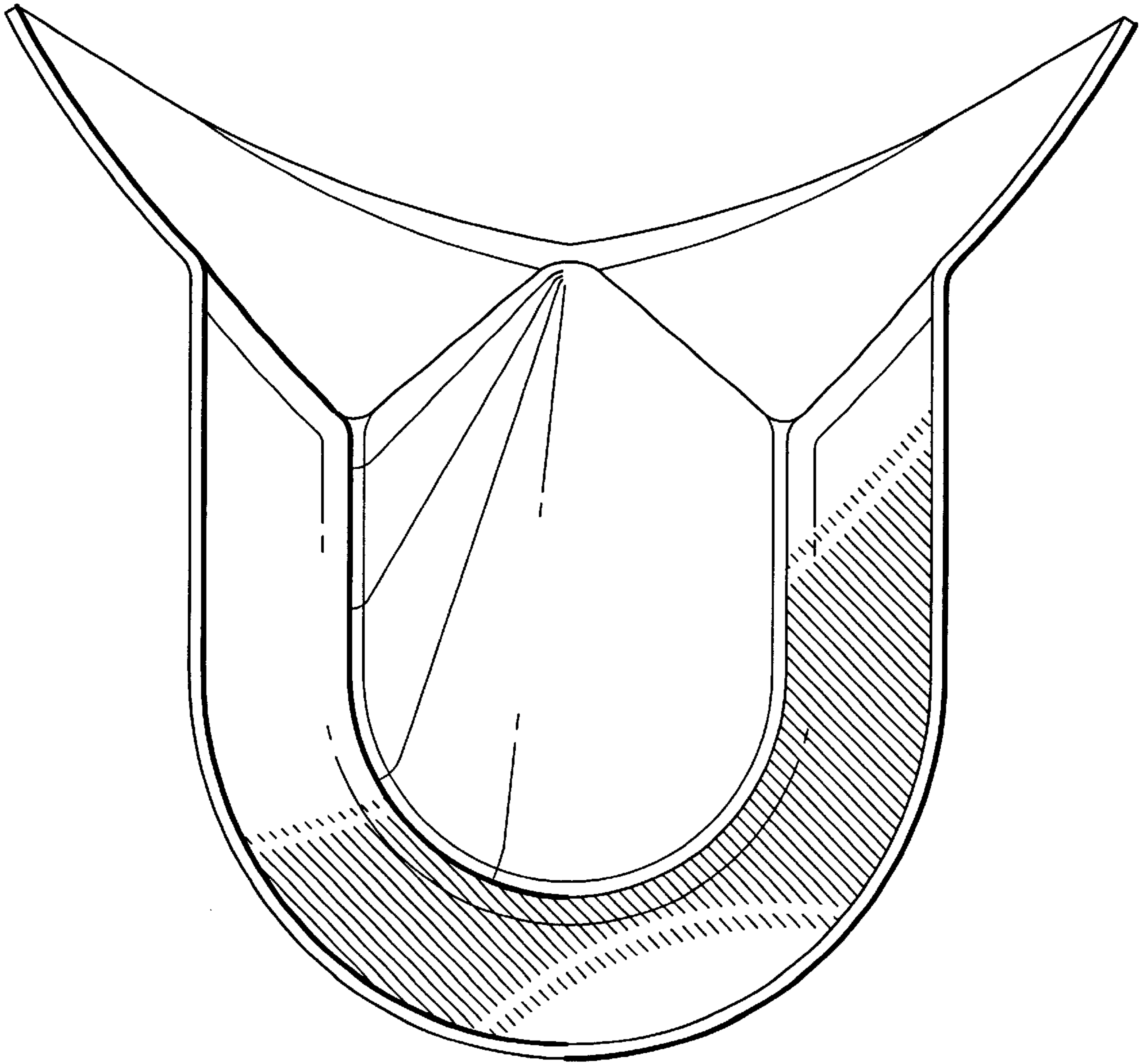


*FIG. 6*



*FIG. 7*





*FIG. 8*