



US00D485881S

(12) **United States Design Patent**
Adamczewski et al.

(10) **Patent No.:** **US D485,881 S**
(45) **Date of Patent:** **** Jan. 27, 2004**

(54) **SNOWBOARD**

(75) Inventors: **David Adamczewski**, Annecy (FR);
Jean-Philippe Guex, Cran Gevrier (FR)

(73) Assignee: **Salomon S.A.**, Metz-Tessy (FR)

(**) Term: **14 Years**

(21) Appl. No.: **29/174,487**

(22) Filed: **Jan. 21, 2003**

(30) **Foreign Application Priority Data**

Jul. 22, 2002 (WO) DM/060 754

(51) **LOC (7) Cl.** **21-02**

(52) **U.S. Cl.** **D21/766**

(58) **Field of Search** D21/766, 760,
D21/765, 421, 423; 280/607-610, 600,
601, 602, 604, 14.21-14.26, 87.042

(56) **References Cited**

U.S. PATENT DOCUMENTS

4,711,462 A	*	12/1987	Hayashi et al.	280/610
4,890,855 A		1/1990	Graillat	280/615
D308,239 S	*	5/1990	Olivier	D21/766
5,244,227 A		9/1993	Lacroix	280/609
5,280,943 A		1/1994	Commier et al.	280/609
5,335,931 A		8/1994	Lacroix et al.	280/602
5,346,244 A		9/1994	Le Masson	280/607
5,397,150 A		3/1995	Commier et al.	280/607
5,514,018 A	*	5/1996	Hara	441/65
5,573,264 A		11/1996	Deville et al.	280/602

D386,236 S	*	11/1997	Gervasoni	D21/766
D406,626 S	*	3/1999	Hauser et al.	D21/760
5,988,668 A	*	11/1999	DeVille et al.	280/602
D418,545 S	*	1/2000	Cassel	D21/766
D418,567 S	*	1/2000	Robinette	D21/760
6,293,567 B1	*	9/2001	Menges	280/14.21
6,481,741 B1		11/2002	Porte	280/609
D473,908 S	*	4/2003	Eckert	D21/766

* cited by examiner

Primary Examiner—Lucy Lieberman

(74) *Attorney, Agent, or Firm*—Greenblum & Bernstein, P.L.C.

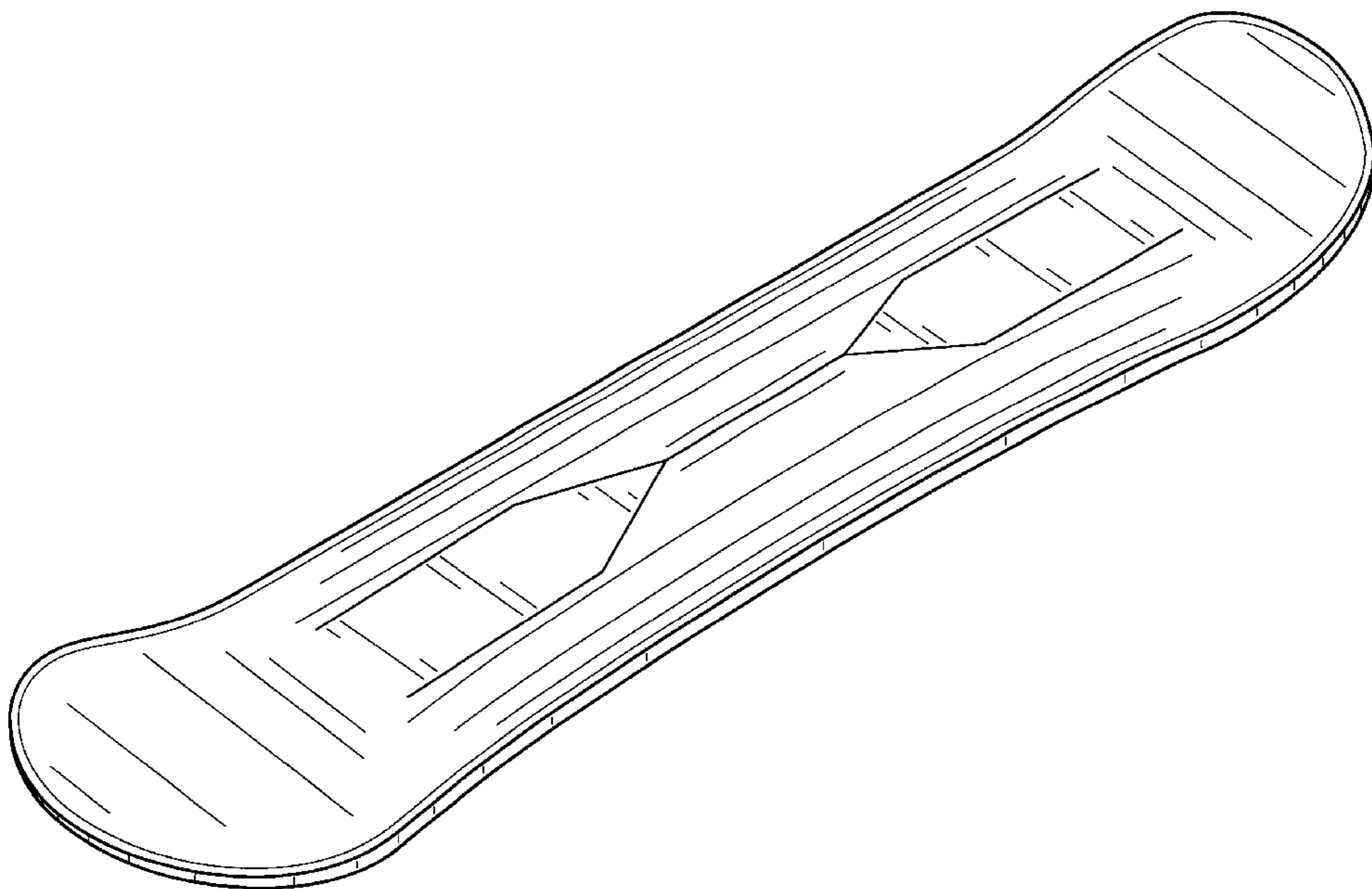
(57) **CLAIM**

I claim the ornamental design for a snowboard, as shown and described.

DESCRIPTION

FIG. 1 is a perspective view of a snowboard, showing our new design;
 FIG. 2 is a first side view thereof, the opposite, second, side view being a mirror image of the first side view;
 FIG. 3 is a top view thereof;
 FIG. 4 is a cross-sectional view, taken along line 4—4 of FIG. 3;
 FIG. 5 is a cross-sectional view, taken along line 5—5 of FIG. 3; and,
 FIG. 6 is a cross-sectional view, taken along line 6—6 of FIG. 3.
 The lower surface, not shown, forms no part of the claimed design.

1 Claim, 3 Drawing Sheets



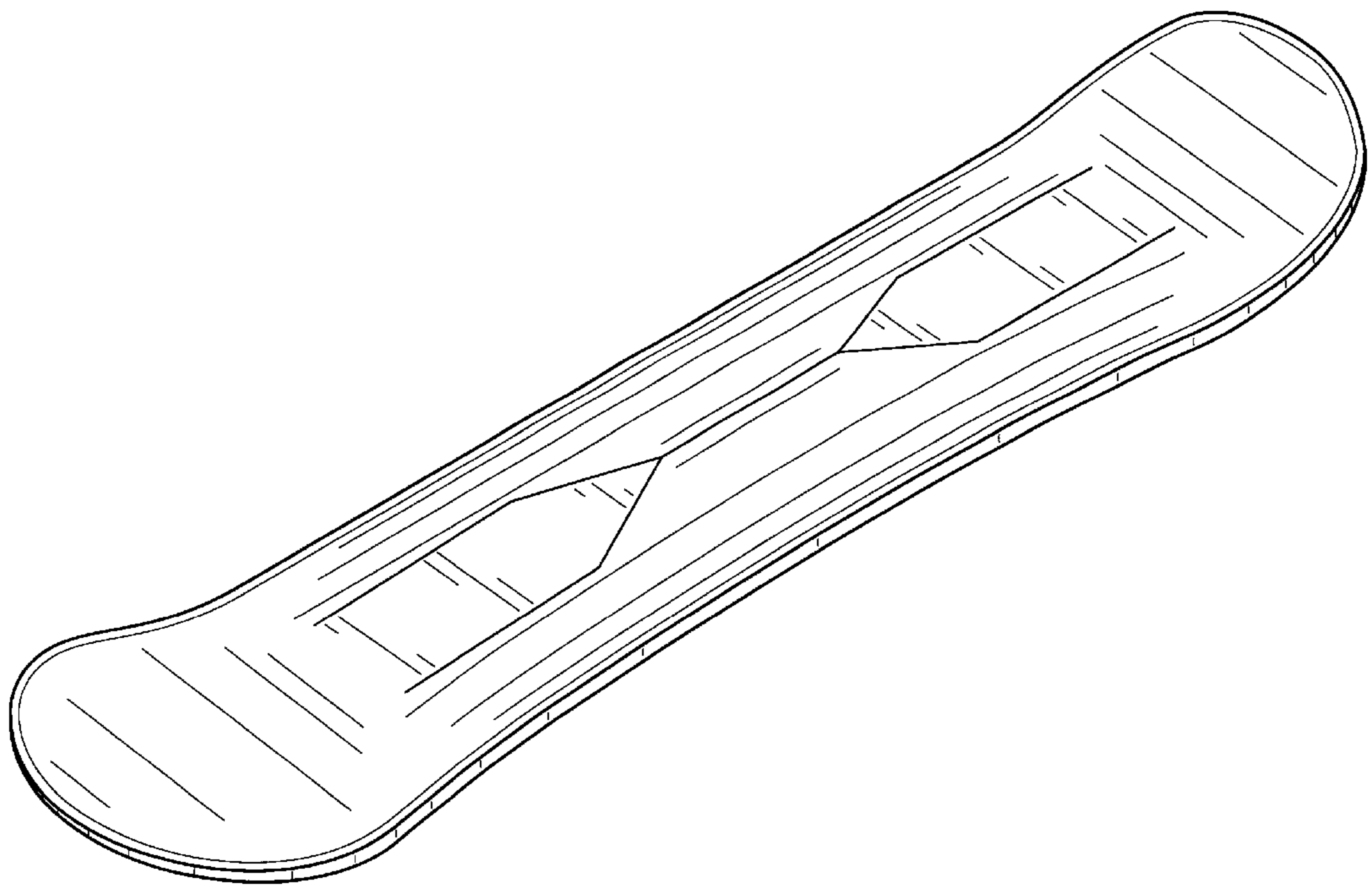


FIG. 1

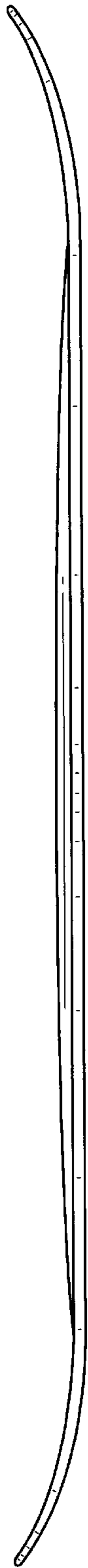


FIG. 2

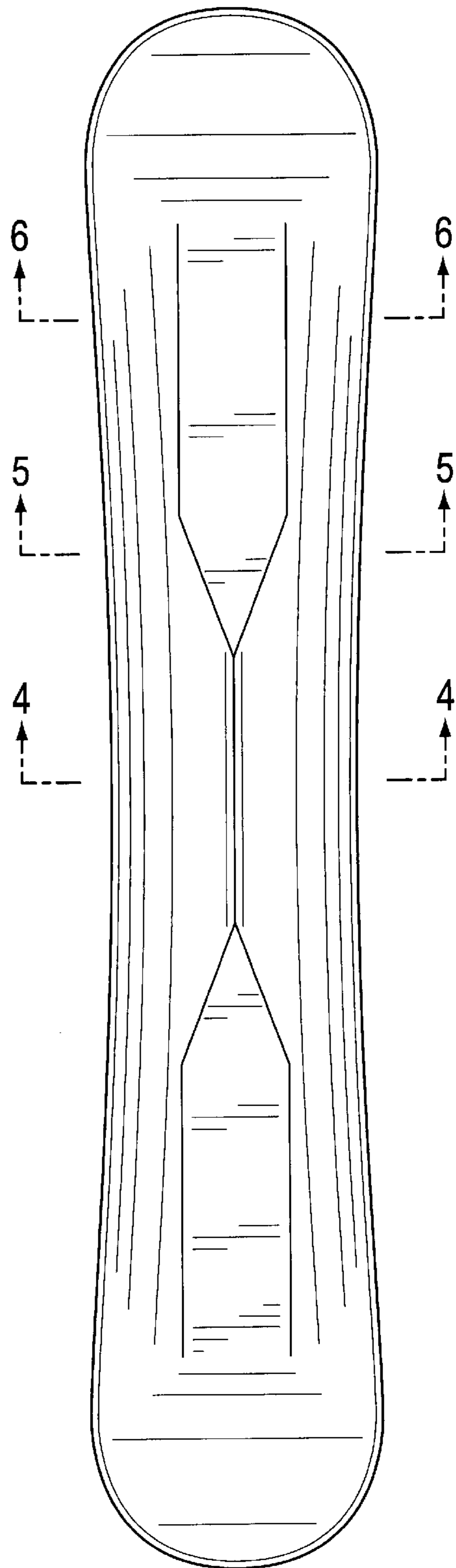


FIG. 3

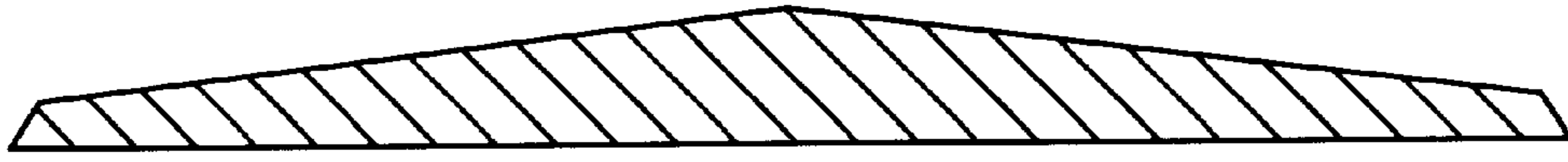


FIG. 4



FIG. 5



FIG. 6