



US00D485877S

(12) **United States Design Patent**  
**Clausen et al.**

(10) **Patent No.:** **US D485,877 S**

(45) **Date of Patent:** **\*\* Jan. 27, 2004**

(54) **IRON GOLF CLUB HEAD**

(75) Inventors: **Karl A. Clausen**, San Marcos, CA (US); **Augustin W. Rollinson**, Carlsbad, CA (US); **Robert R. Lang**, Escondido, CA (US); **Roger Cleveland**, Los Angeles, CA (US); **Larry G. Tang**, Carlsbad, CA (US)

(73) Assignee: **Callaway Golf Company**, Carlsbad, CA (US)

(\*\*) Term: **14 Years**

(21) Appl. No.: **29/181,430**

(22) Filed: **May 9, 2003**

(51) **LOC (7) Cl.** ..... **21-02**

(52) **U.S. Cl.** ..... **D21/747**

(58) **Field of Search** ..... D21/747-751;  
473/324-331, 350

(56) **References Cited**

**U.S. PATENT DOCUMENTS**

- D368,756 S \* 4/1996 Blough et al. .... D21/748
- D368,946 S \* 4/1996 Blough et al. .... D21/748
- D368,947 S \* 4/1996 Blough et al. .... D21/748
- D370,512 S \* 6/1996 Blough et al. .... D21/748

- D464,387 S \* 10/2002 Rollinson et al. .... D21/748
- D464,693 S \* 10/2002 Rollinson et al. .... D21/748
- D474,822 S \* 5/2003 Cleveland et al. .... D21/747

\* cited by examiner

*Primary Examiner*—Mitchell Siegel  
(74) *Attorney, Agent, or Firm*—Michael A. Catania; Elaine H. Lo

(57) **CLAIM**

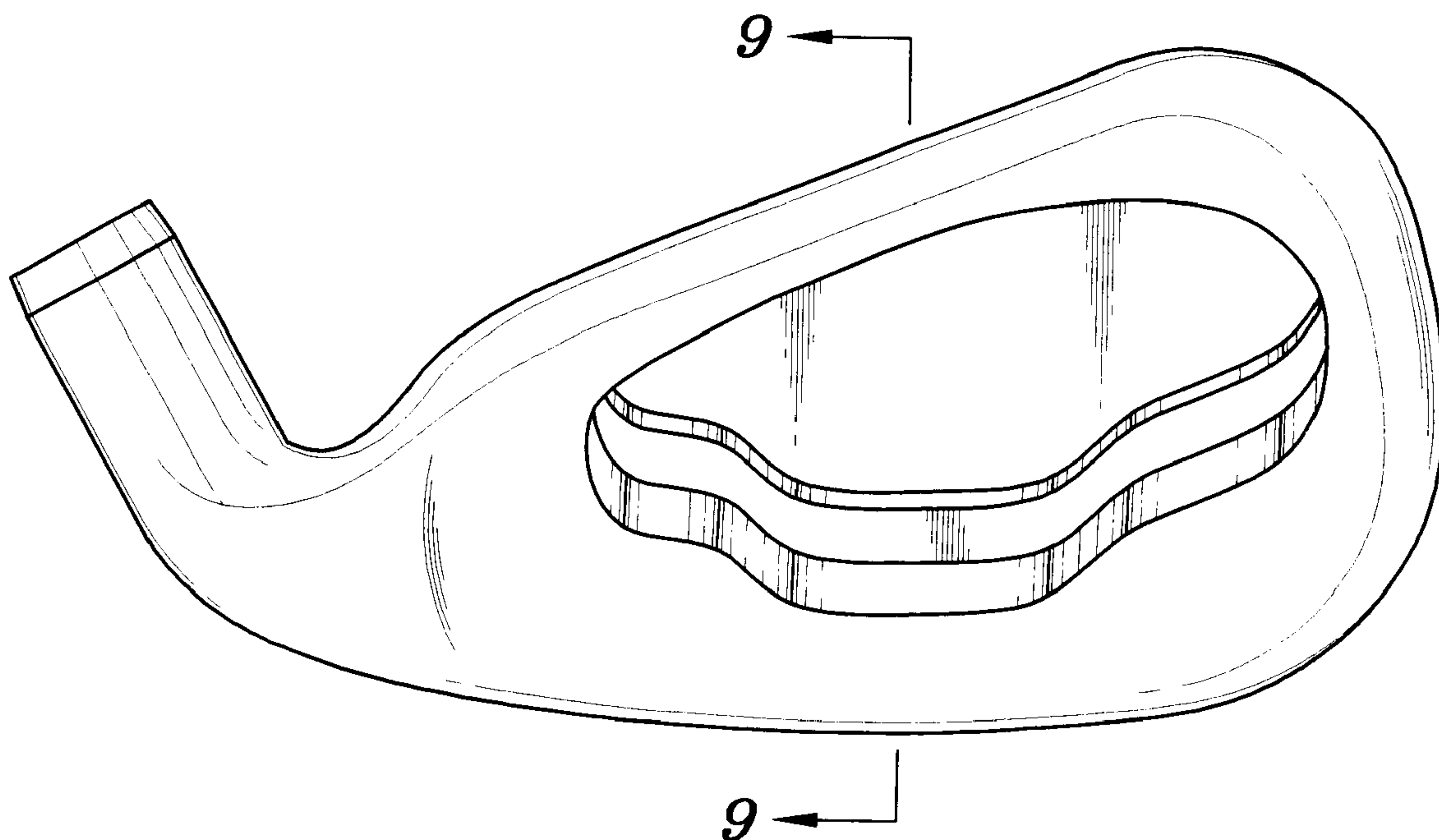
The ornamental design for a iron golf club head, as shown and described.

**DESCRIPTION**

FIG. 1 is a front perspective view thereof;  
FIG. 2 is a perspective view thereof;  
FIG. 3 is a rear elevational view thereof;  
FIG. 4 is a top plan view thereof;  
FIG. 5 is a bottom plan view thereof;  
FIG. 6 is a front elevational view thereof;  
FIG. 7 is a toe end view thereof;  
FIG. 8 is a heel end view thereof; and,  
FIG. 9 is a cross-sectional view taken generally across the lines 9—9 of FIG. 3.

The dashed lines are for illustrative purposes only and form no part of the claimed design.

**1 Claim, 3 Drawing Sheets**



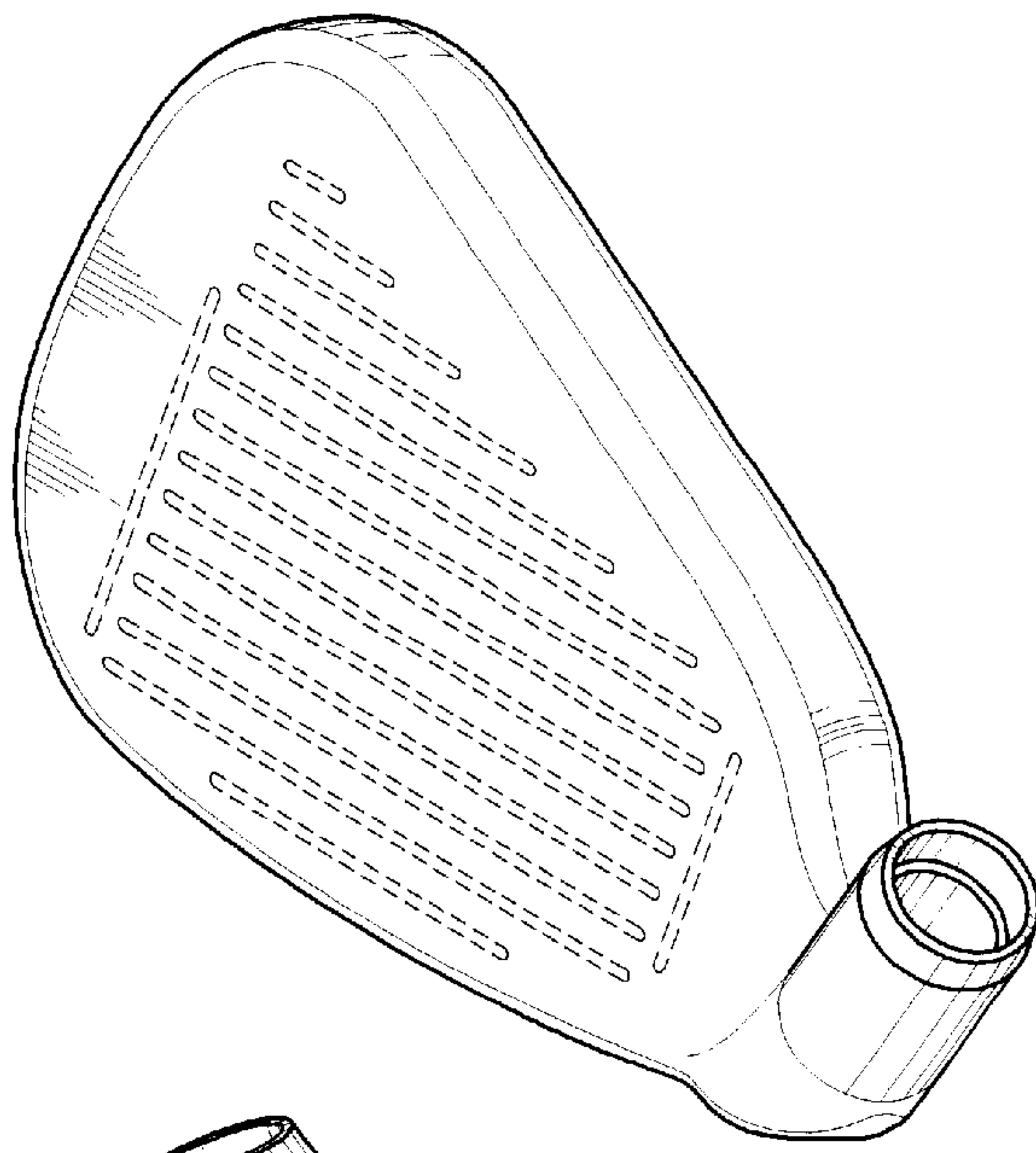


FIG. 1

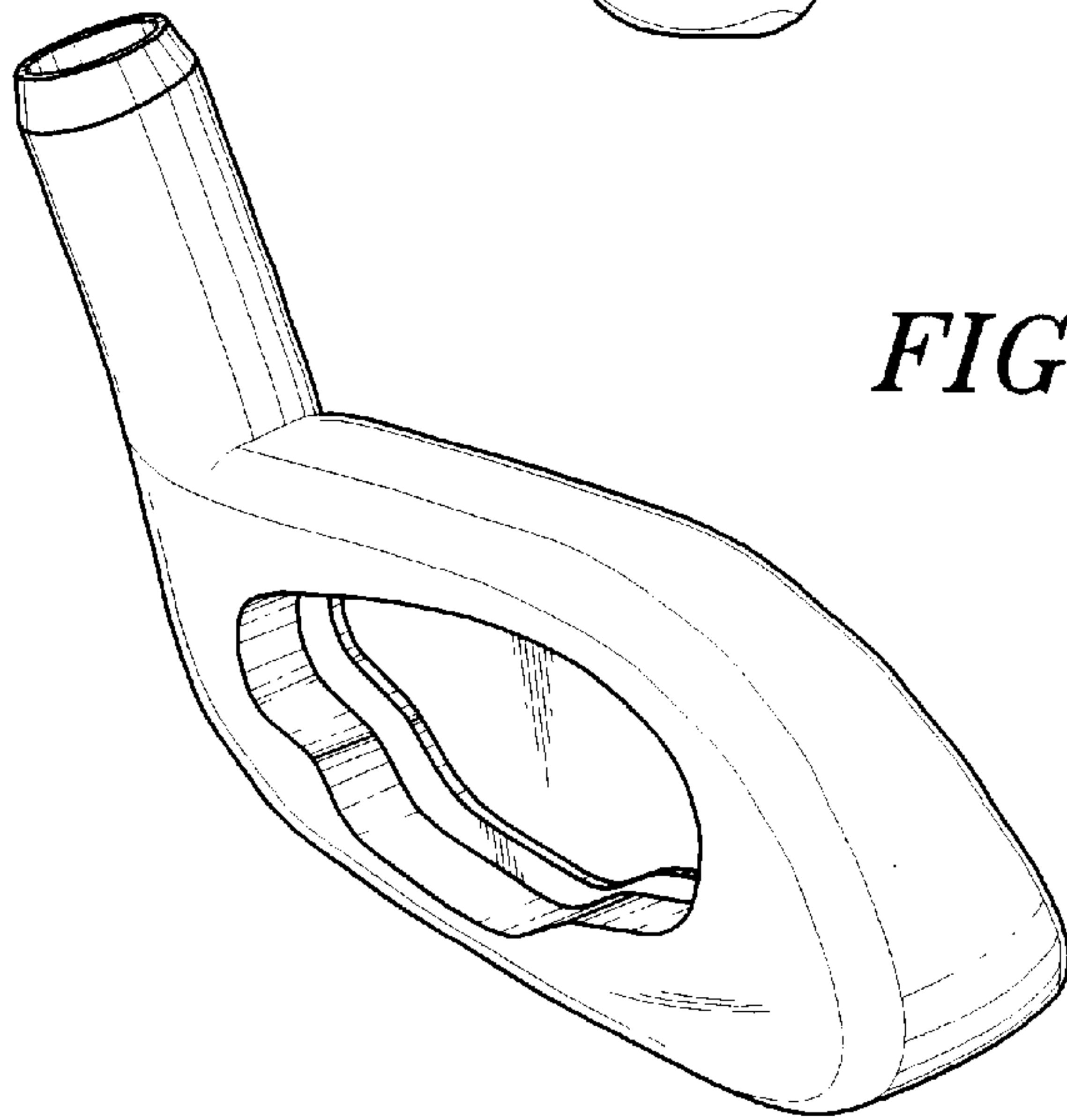


FIG. 2

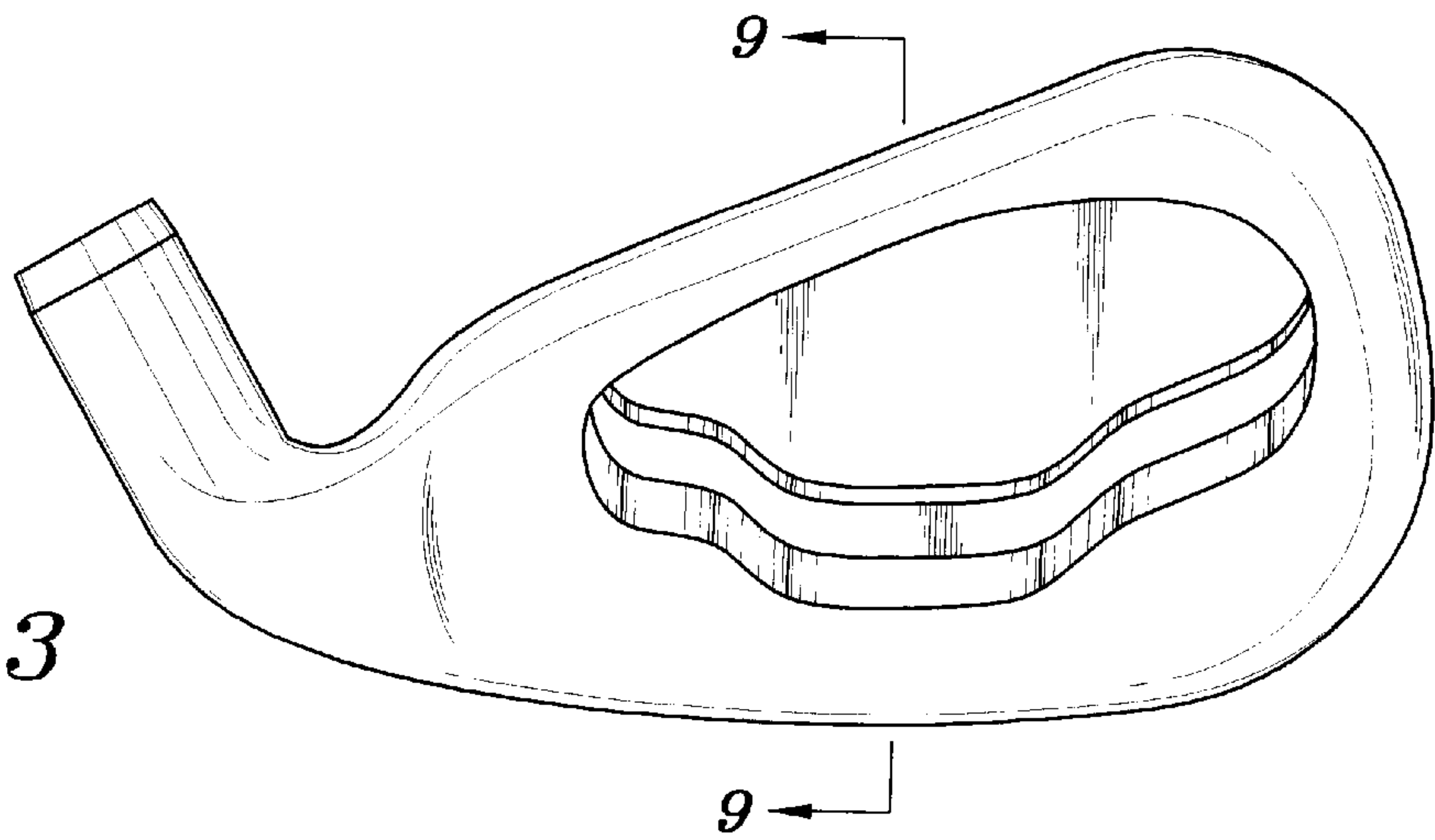
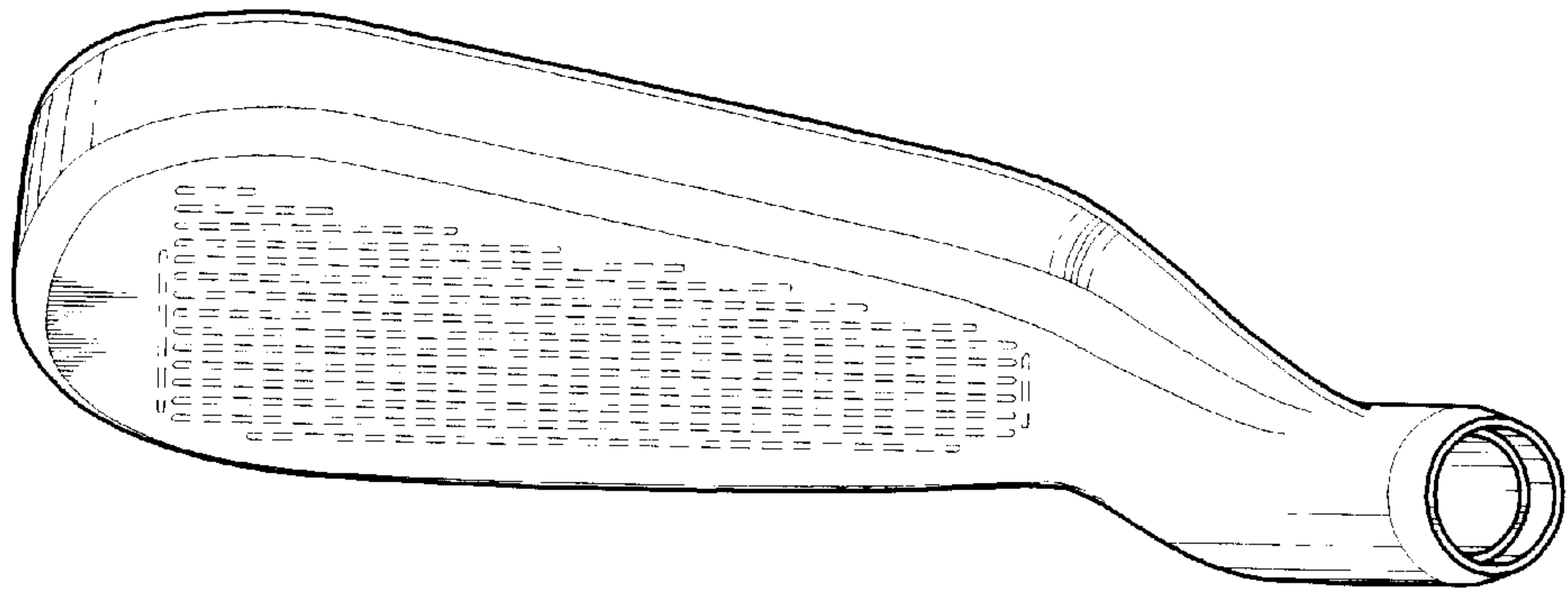
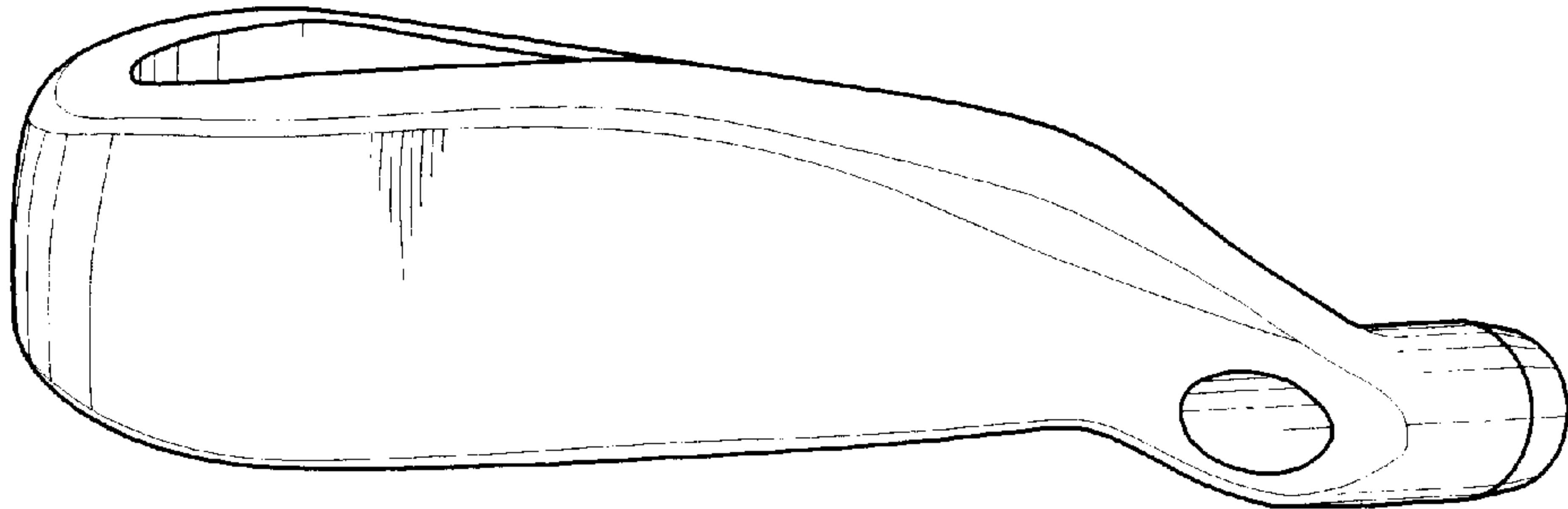


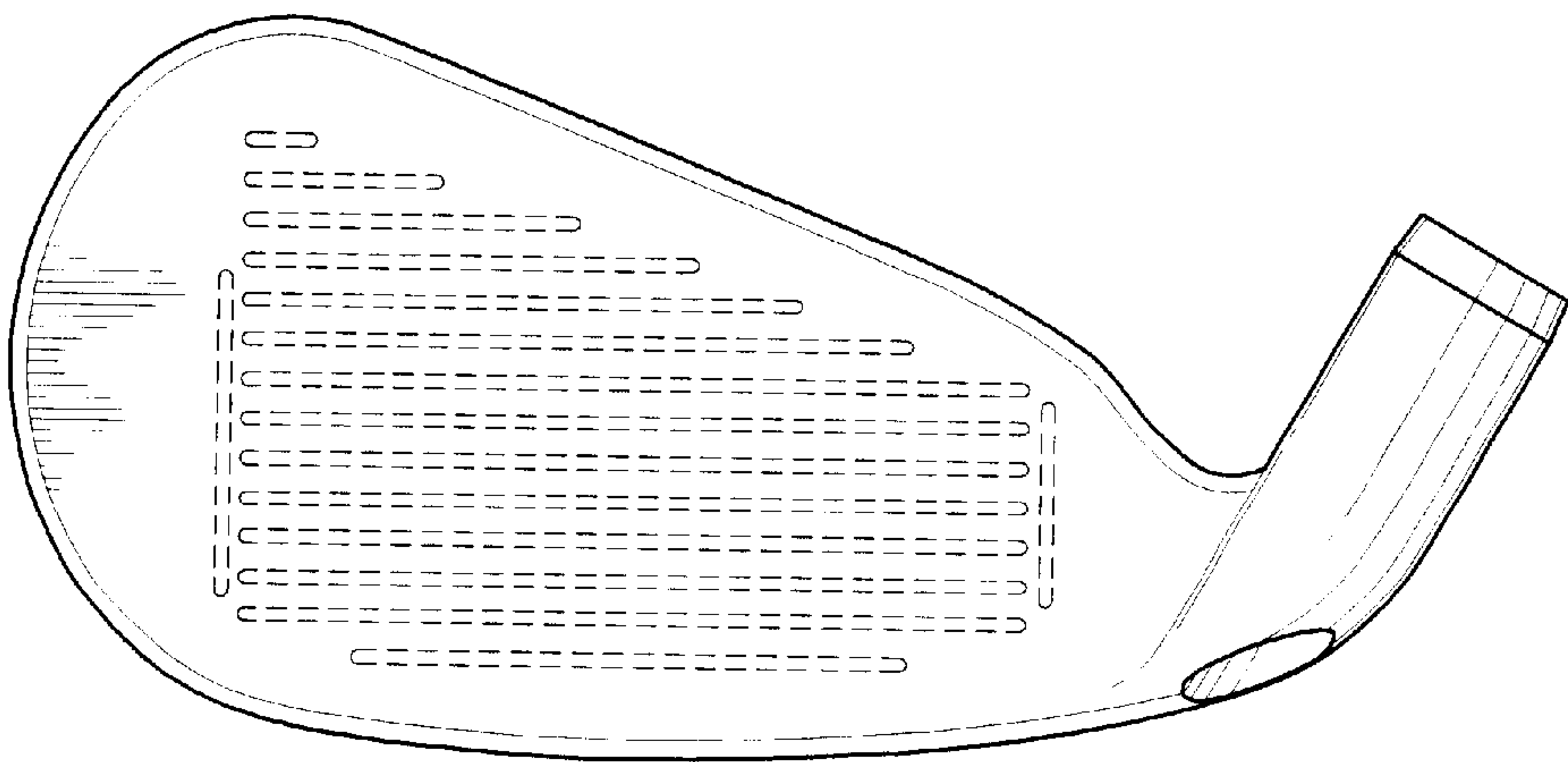
FIG. 3



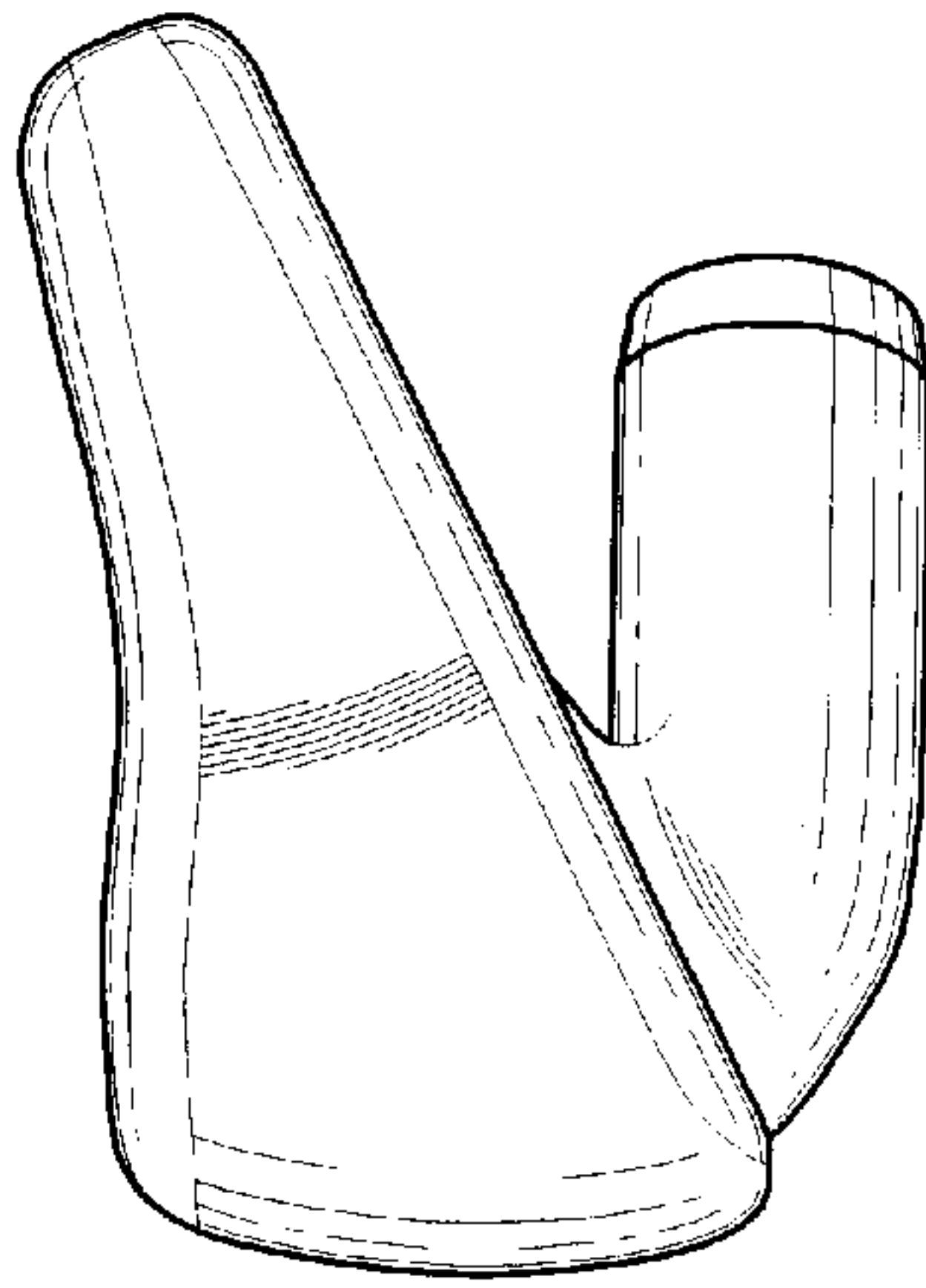
*FIG. 4*



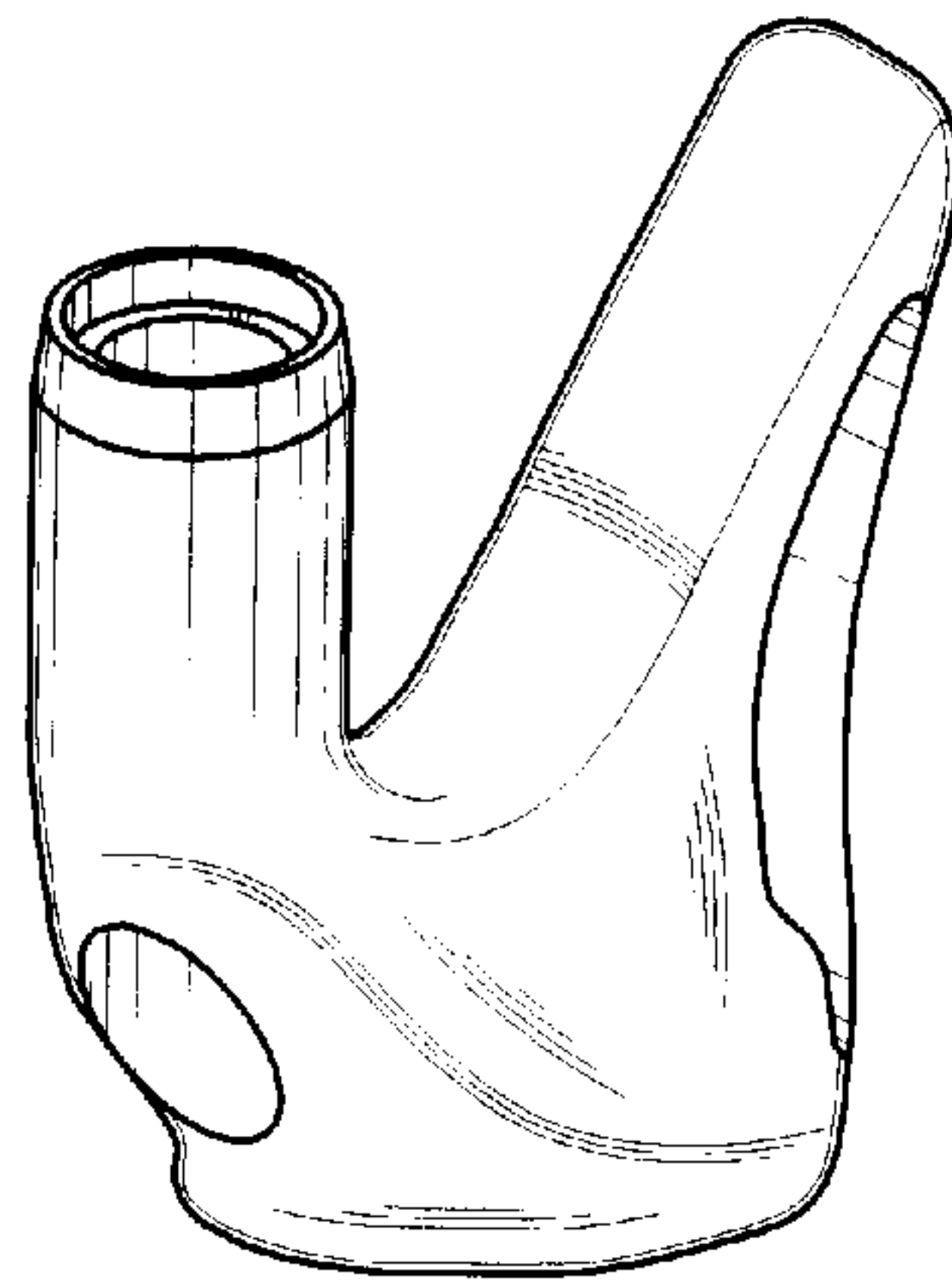
*FIG. 5*



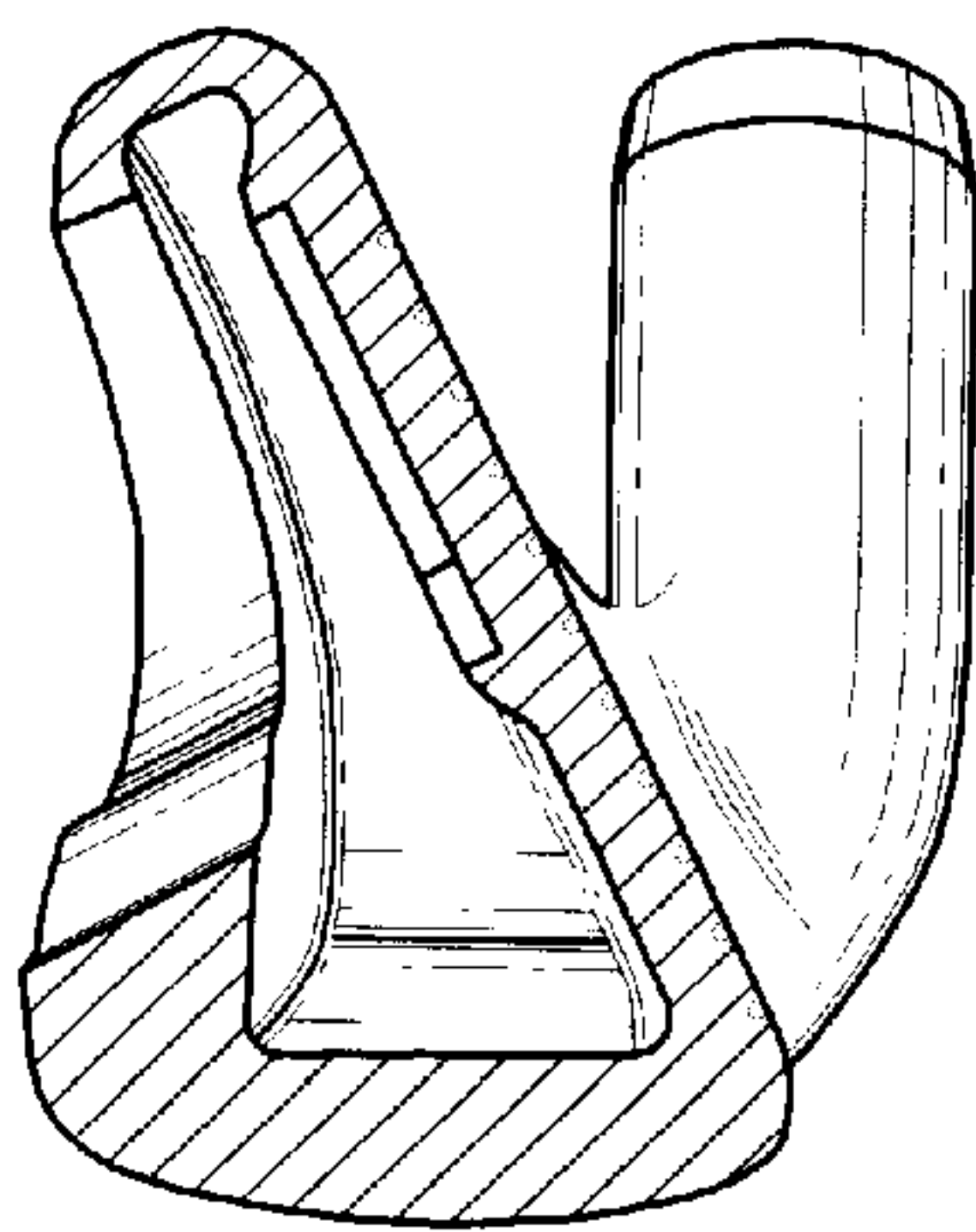
*FIG. 6*



*FIG. 7*



*FIG. 8*



*FIG. 9*