



US00D485875S

(12) **United States Design Patent**
White

(10) **Patent No.:** **US D485,875 S**

(45) **Date of Patent:** **** Jan. 27, 2004**

(54) **BASKETBALL BACKBOARD**

(75) Inventor: **Ronald White**, North Prairie, WI (US)

(73) Assignee: **Huffy Corporation**, Miamisburg, OH (US)

(**) Term: **14 Years**

(21) Appl. No.: **29/175,508**

(22) Filed: **Feb. 6, 2003**

(51) **LOC (7) Cl.** **21-02**

(52) **U.S. Cl.** **D21/703**

(58) **Field of Search** D21/699, 701-705;
473/433, 447-449, 476, 479-489

(56) **References Cited**

U.S. PATENT DOCUMENTS

3,964,743 A	*	6/1976	Salsich, Sr.	473/481
4,424,968 A	*	1/1984	Smith	473/481
D338,934 S	*	8/1993	Vander Weide	D21/702
5,324,027 A	*	6/1994	Nye	473/484
D362,881 S	*	10/1995	Schickert et al.	D21/703
D371,813 S	*	7/1996	Schickert et al.	D21/703
5,839,982 A	*	11/1998	Hying et al.	473/481
D402,338 S	*	12/1998	Davis	D21/701

6,004,231 A * 12/1999 Schickert et al. 473/481

* cited by examiner

Primary Examiner—Philip S. Hyder

Assistant Examiner—C Tuttle

(74) *Attorney, Agent, or Firm*—Howrey Simon Arnold & White, LLP; Michael J. Bell

(57) **CLAIM**

The ornamental design for a basketball backboard, as shown and described.

DESCRIPTION

FIG. 1 is a perspective view of a basketball backboard embodying my design.

FIG. 2 is a front elevational view thereof;

FIG. 3 is a rear elevational view thereof;

FIG. 4 is a right side elevational view thereof;

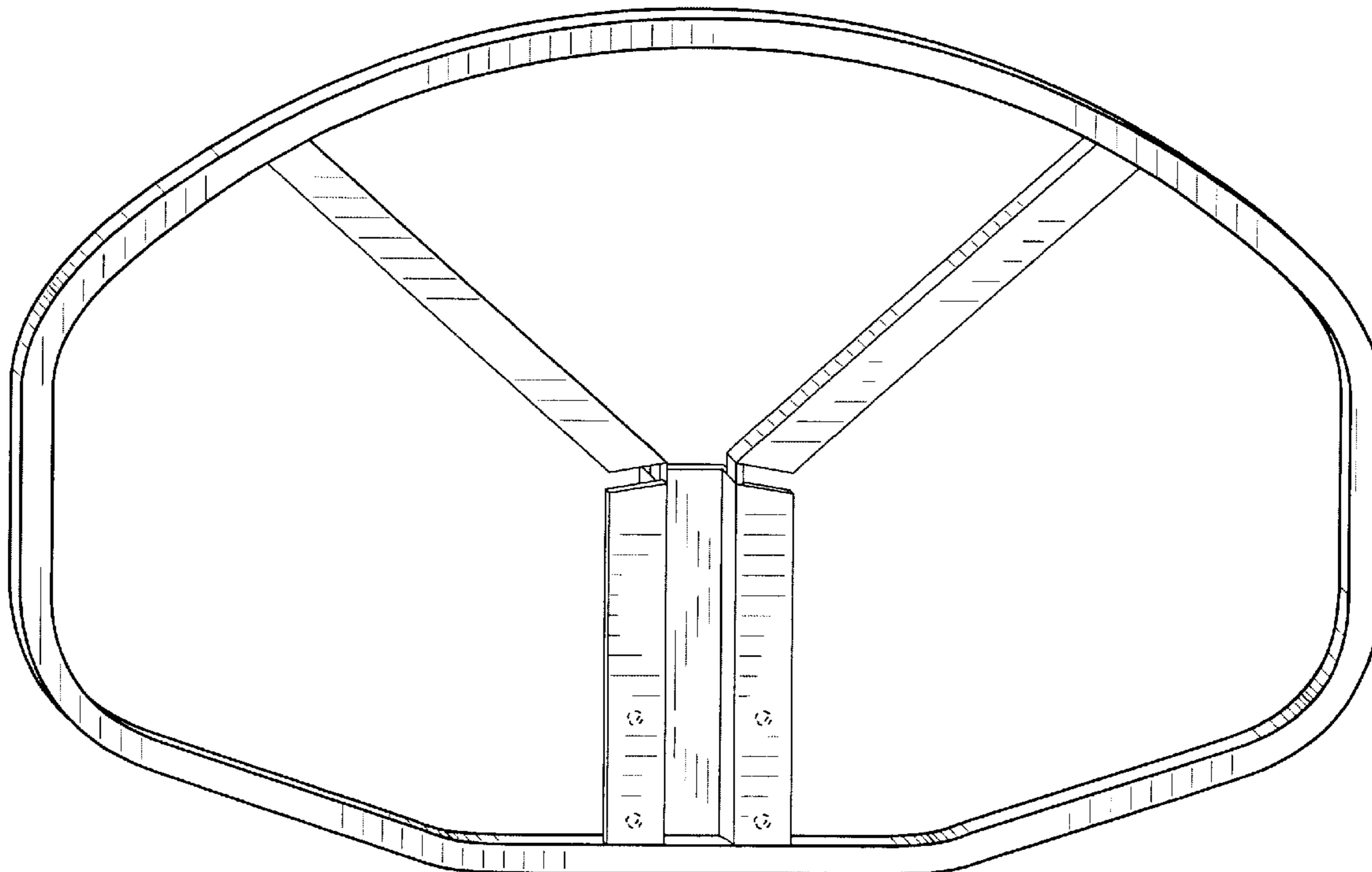
FIG. 5 is a left side elevational view thereof;

FIG. 6 is a top plan view thereof; and,

FIG. 7 is a bottom plan view thereof.

The portions shown in broken lines in FIGS. 1-3 are for illustrative purposes only and forms no part of the claimed design.

1 Claim, 5 Drawing Sheets



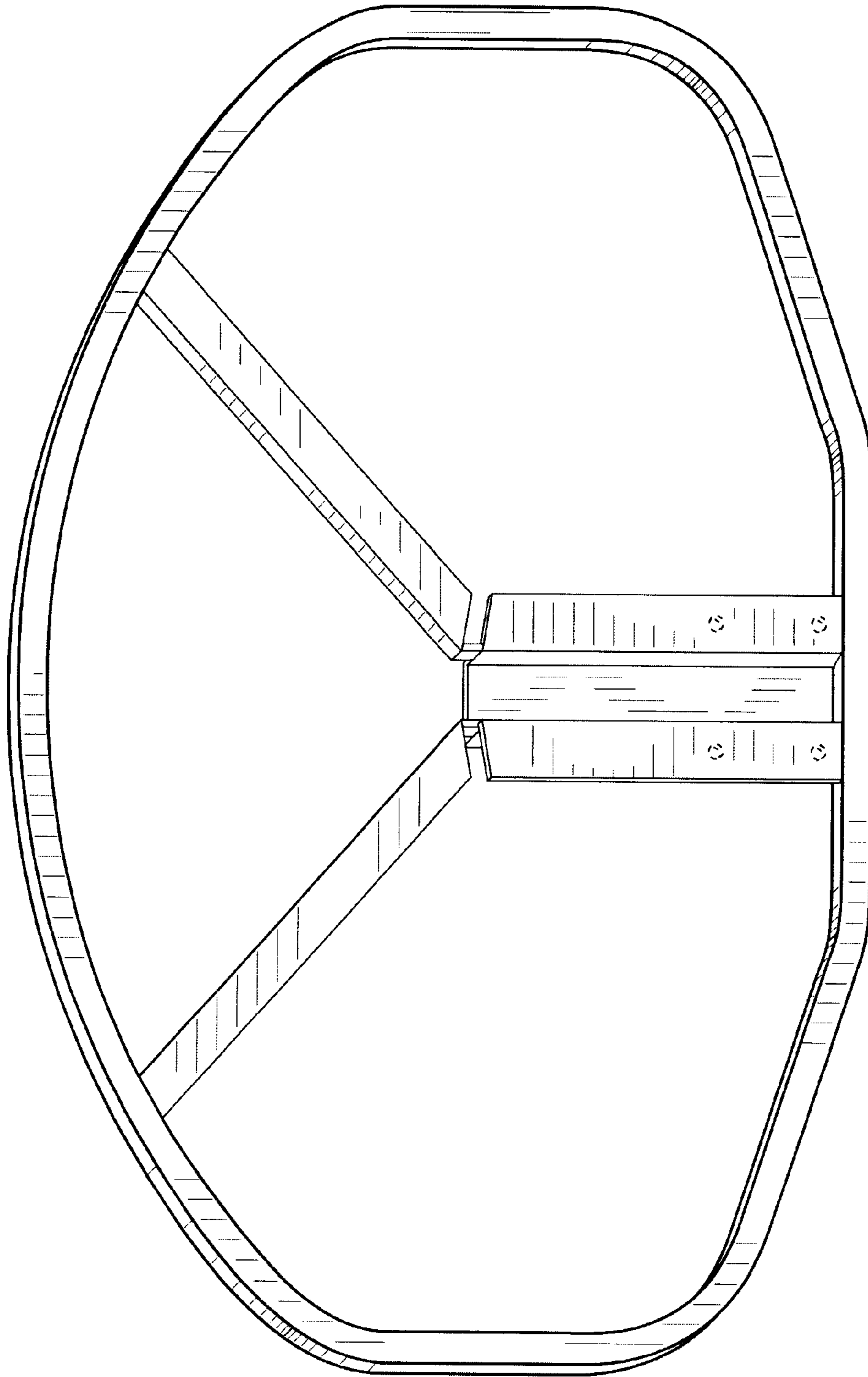


FIG. 1

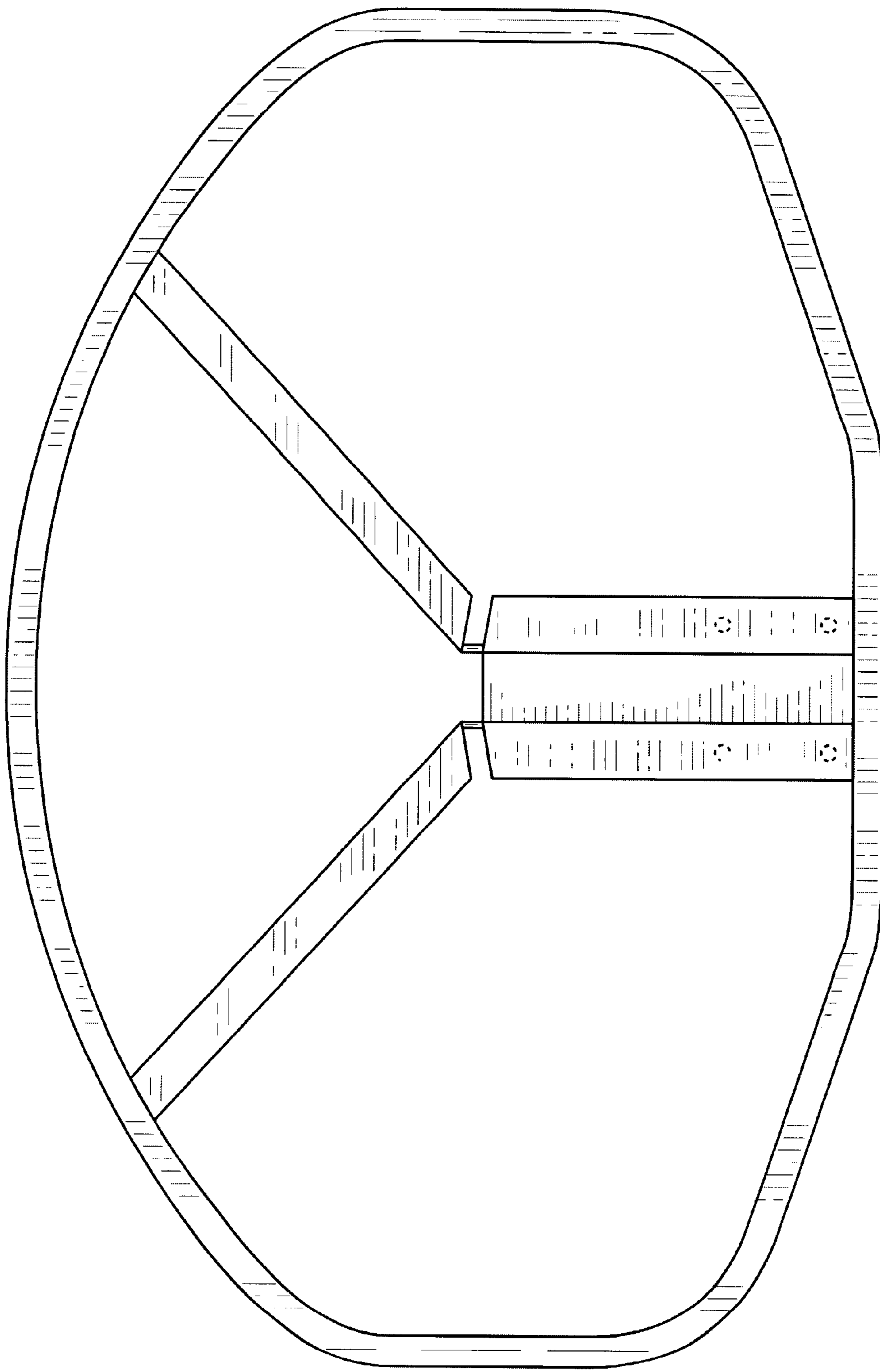


FIG. 2

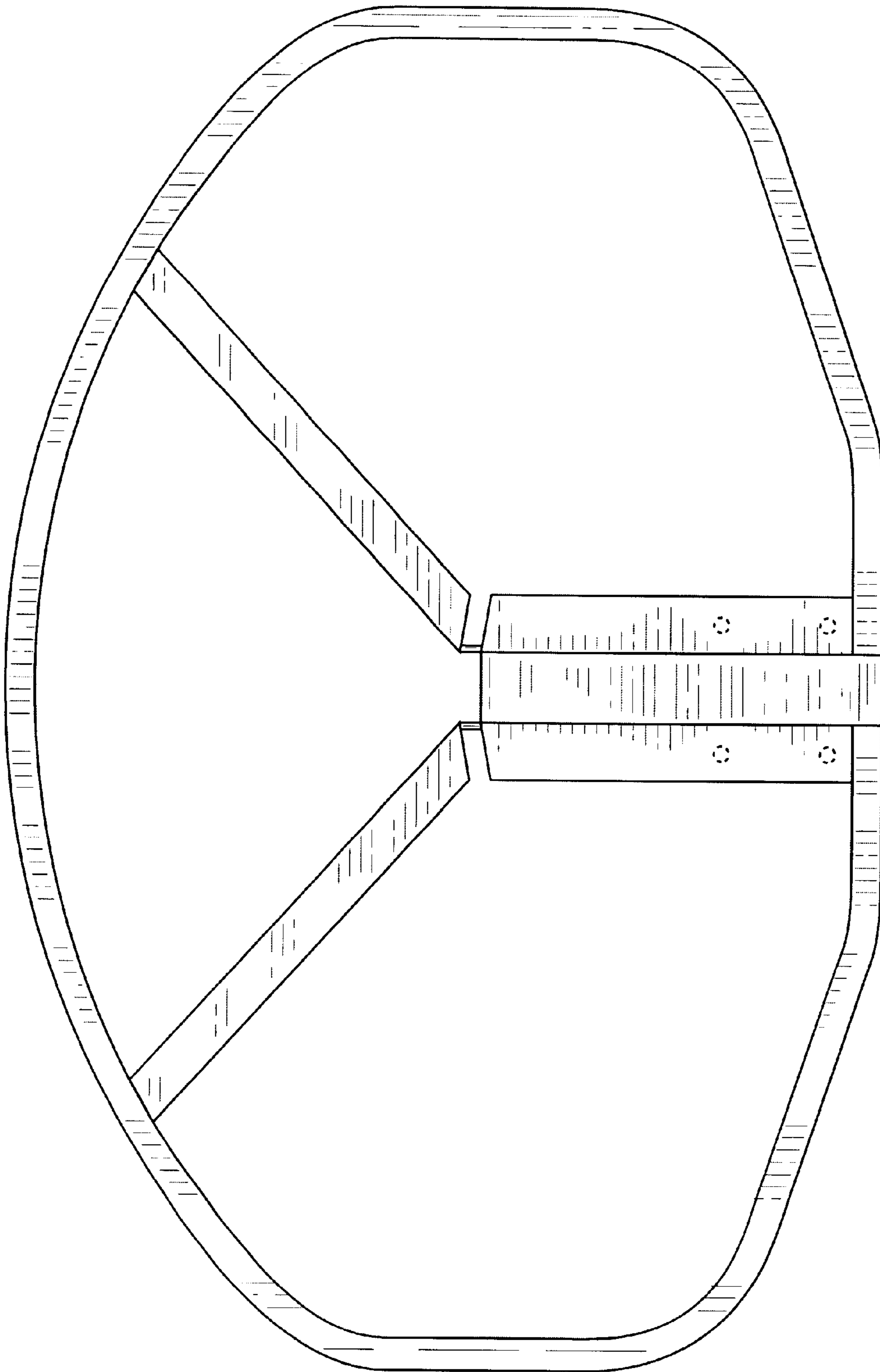


FIG. 3



FIG. 4



FIG. 5



FIG. 6

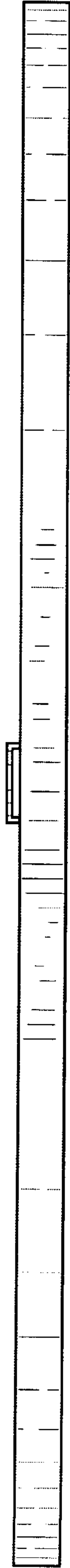


FIG. 7