



US00D485872S

(12) **United States Design Patent**
Yaschur

(10) **Patent No.:** **US D485,872 S**

(45) **Date of Patent:** **** Jan. 27, 2004**

(54) **TOY WATER GUN**

D438,916 S * 3/2001 Wan D21/572

(75) Inventor: **Jefferey C. Yaschur**, Smyrna, GA (US)

OTHER PUBLICATIONS

(73) Assignee: **Johnson Research & Development Co., Inc.**, Atlanta, GA (US)

Hong Kong toys, p. 265, Feb. 1997.*

(**) Term: **14 Years**

* cited by examiner

Primary Examiner—Raphael Barkai

(21) Appl. No.: **29/180,301**

(74) *Attorney, Agent, or Firm*—Baker Donelson

(22) Filed: **Apr. 17, 2003**

(57) **CLAIM**

The ornamental design for a toy water gun, as shown and described.

(51) **LOC (7) Cl.** **21-01**

(52) **U.S. Cl.** **D21/572**

(58) **Field of Search** D21/567-575;
D14/428; D23/225-226; 446/473, 475,
406, 267, 180, 219, 430; 222/78, 79; 239/526,
587.5, 211, 237; 124/16, 22, 73-76, 83-85

DESCRIPTION

FIG. 1 is a right side view of a toy water gun showing my new design.

FIG. 2 is a left side view thereof.

FIG. 3 is a top view thereof.

FIG. 4 is a bottom view thereof.

FIG. 5 is a front view thereof; and,

FIG. 6 is a rear view thereof.

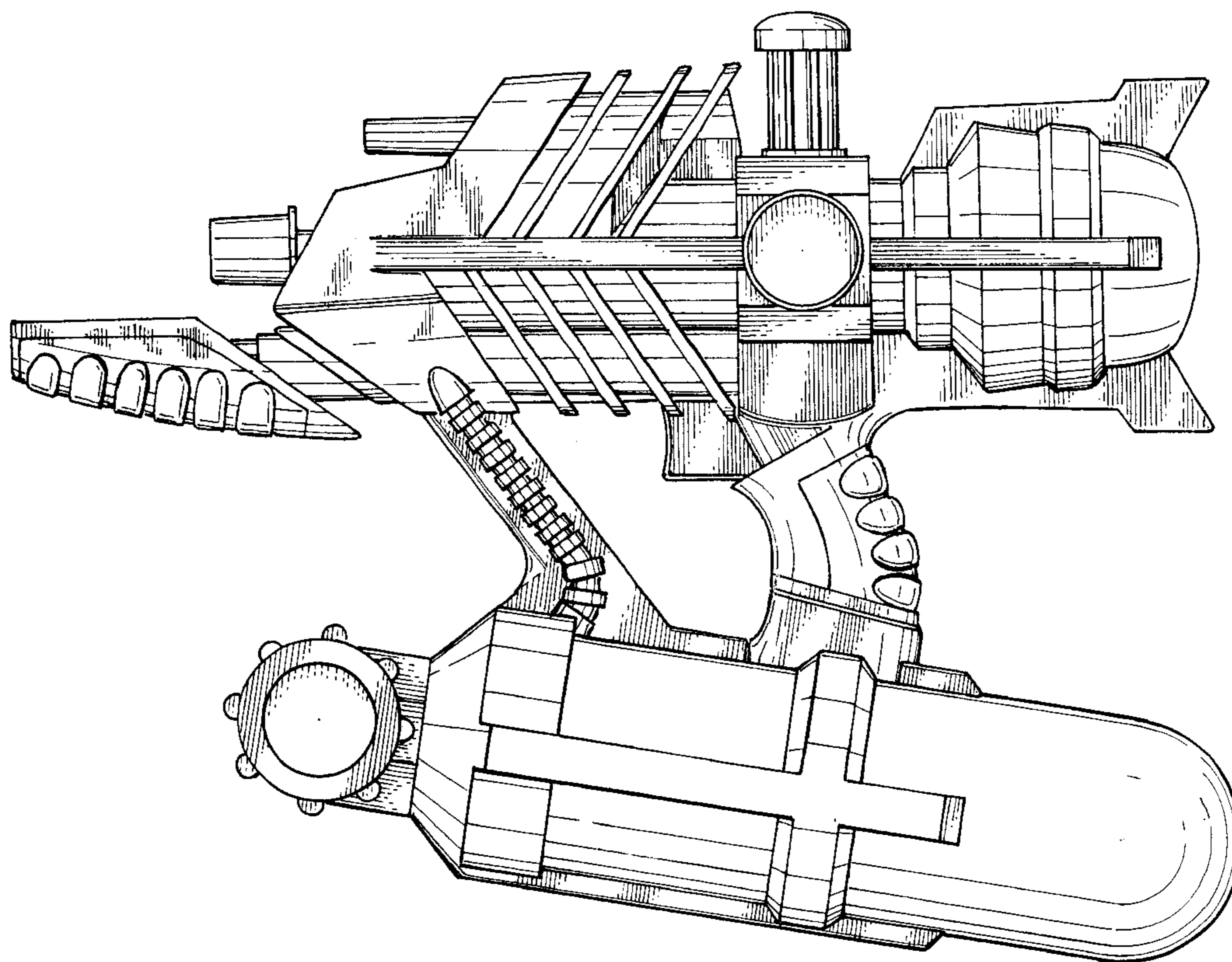
(56) **References Cited**

U.S. PATENT DOCUMENTS

D426,593 S * 6/2000 Zimmerman D21/572

D428,077 S * 7/2000 Zimmerman D21/575

1 Claim, 4 Drawing Sheets



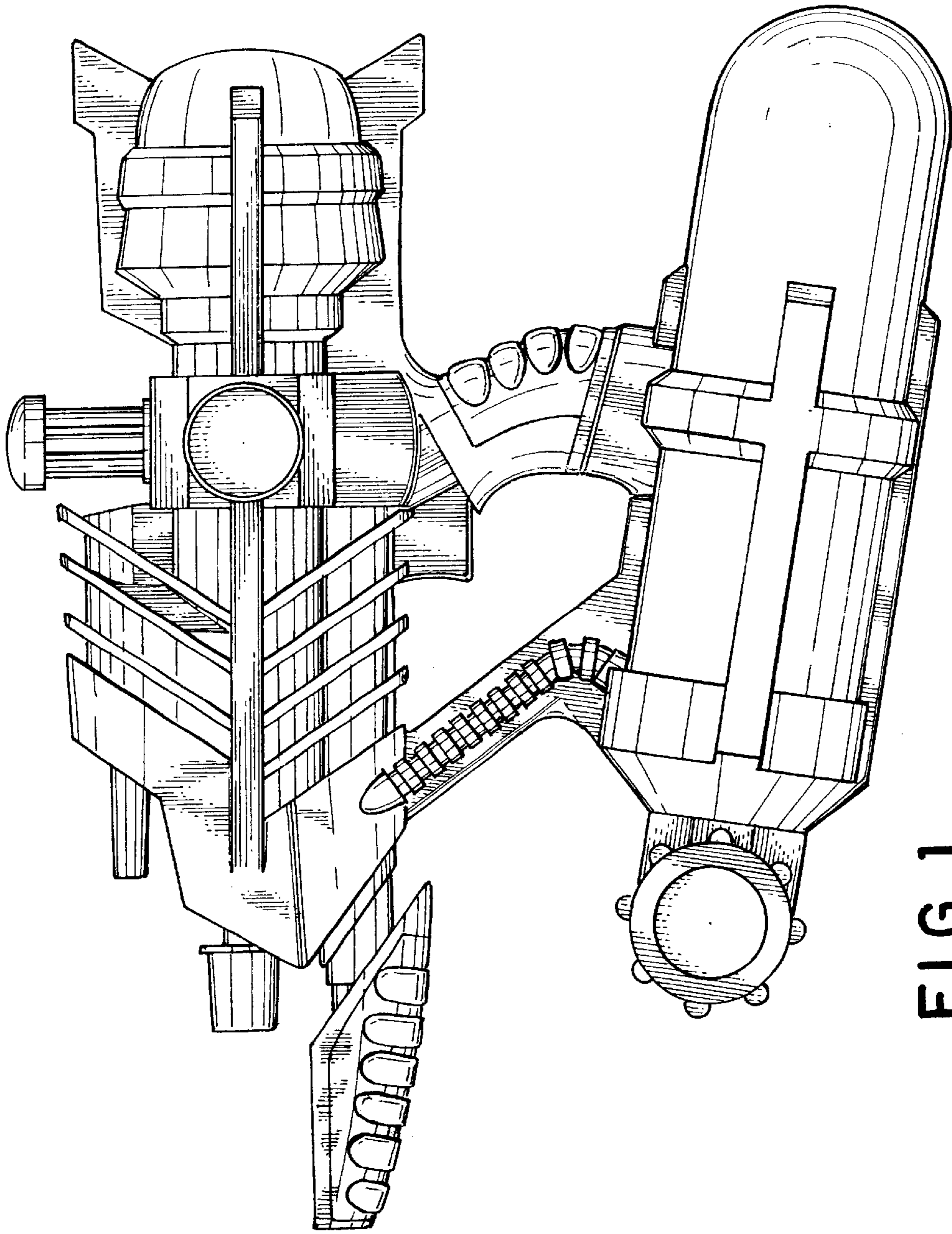


FIG. 1

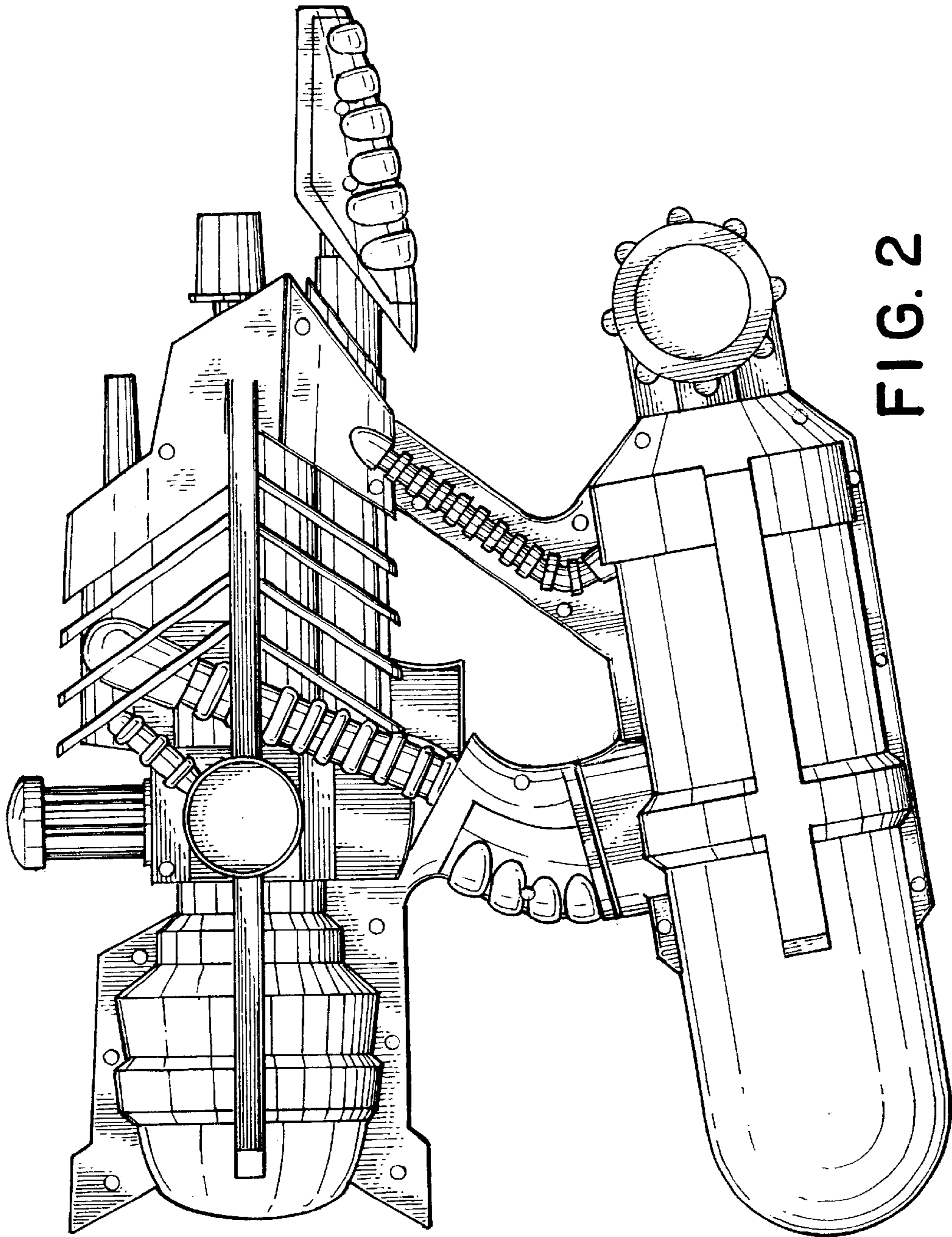


FIG. 2

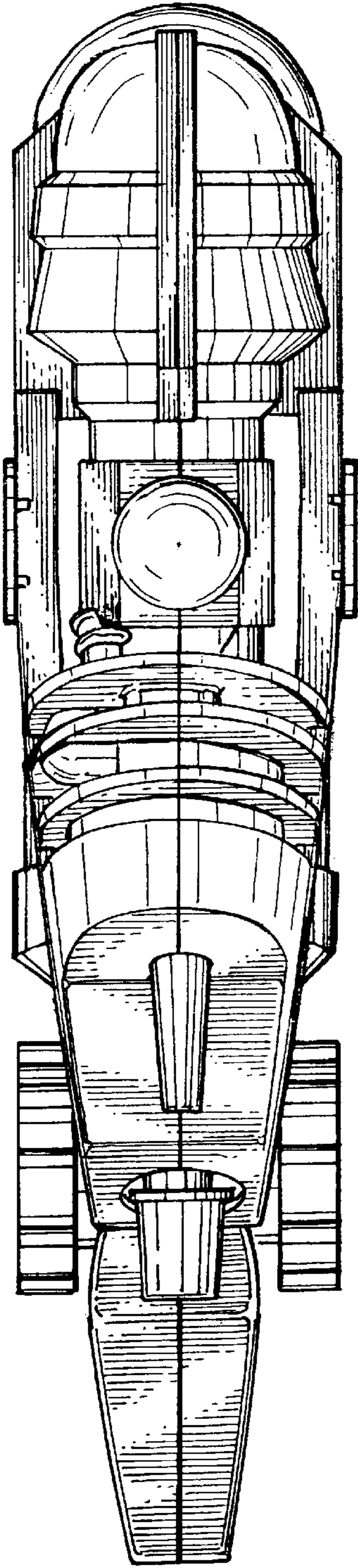


FIG. 3

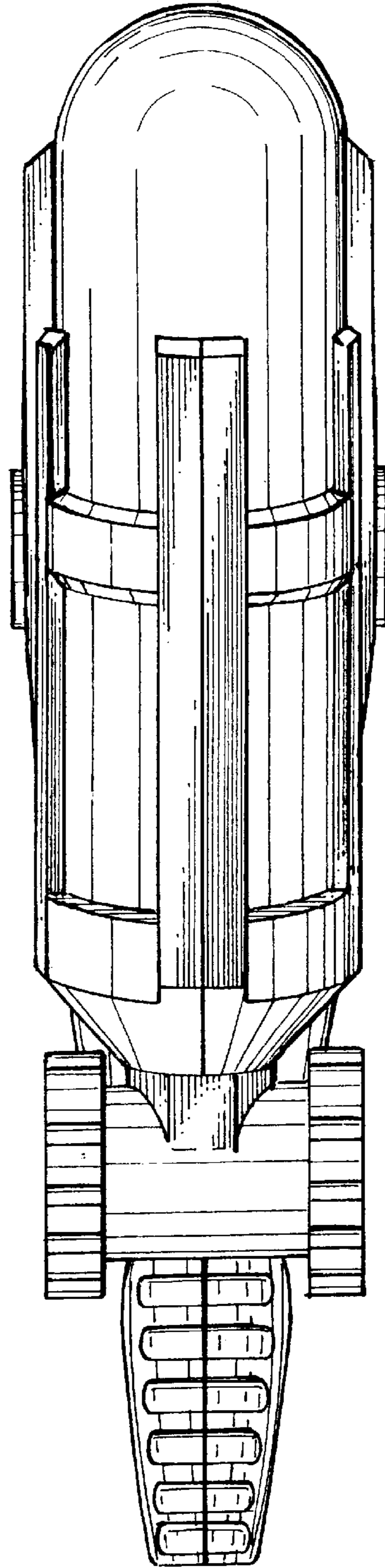


FIG. 4

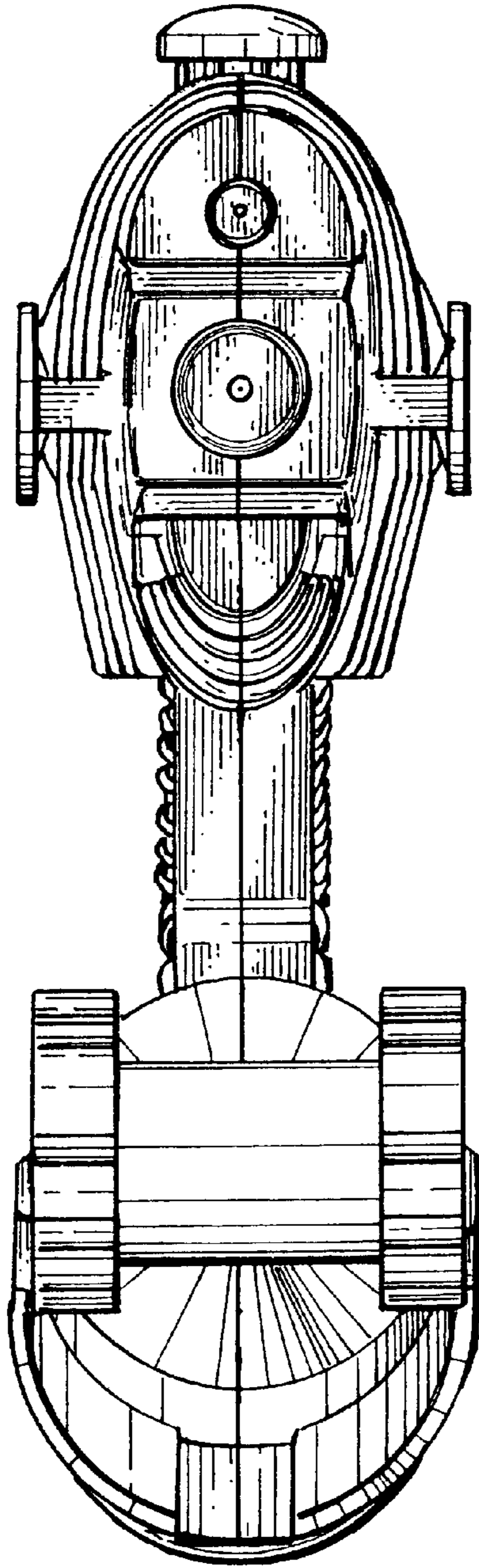


FIG. 5

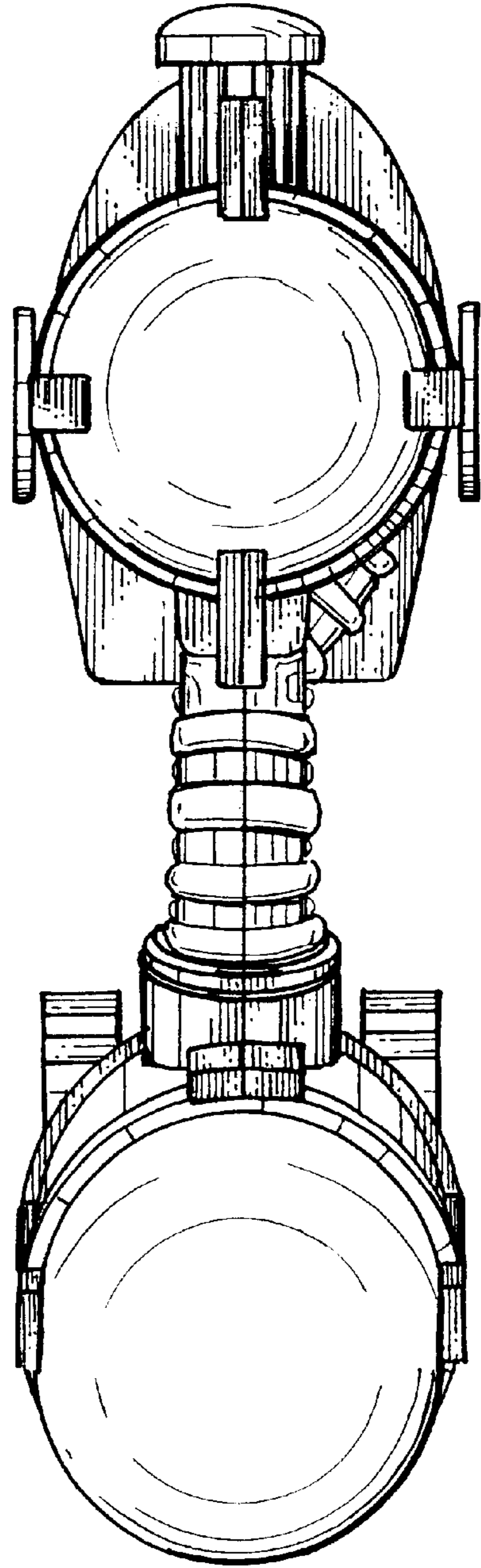


FIG. 6