



US00D485871S

(12) **United States Design Patent**
Horchler

(10) **Patent No.:** **US D485,871 S**

(45) **Date of Patent:** **** Jan. 27, 2004**

(54) **RIDE-ON VEHICLE**

(75) Inventor: **Jack Horchler**, Mokena, IL (US)

(73) Assignee: **Tek Nek Toys International, Inc.**,
Mokena, IL (US)

(**) Term: **14 Years**

(21) Appl. No.: **29/177,206**

(22) Filed: **Mar. 5, 2003**

(51) **LOC (7) Cl.** **21-01**

(52) **U.S. Cl.** **D21/424**

(58) **Field of Search** D21/419-435,
D21/533, 548-551, 561, 562; D12/16, 87-88;
446/424, 425, 428, 447, 451, 456, 465,
470, 471; 280/87.01, 87.021, 47.11, 1.13,
828, 7.17

(56) **References Cited**

U.S. PATENT DOCUMENTS

4,261,588	A	*	4/1981	Kassai	280/7.17
4,714,261	A	*	12/1987	Kassai	280/87.021
D320,239	S	*	9/1991	Kassai	D21/424
D352,741	S	*	11/1994	Nakai	D21/424
D469,820	S	*	2/2003	Lanchais	D21/433

* cited by examiner

Primary Examiner—Raphael Barkai

(74) *Attorney, Agent, or Firm*—Michael Best & Friedrich LLP

(57) **CLAIM**

The ornamental design for a ride-on vehicle, as shown.

DESCRIPTION

FIG. 1 is a front perspective view of the ride-on vehicle.
FIG. 2 is a left side elevation view of the ride-on vehicle depicted in FIG. 1.

FIG. 3 is right side elevation view of the ride-on vehicle depicted in FIG. 1.

FIG. 4 is a rear elevation view of the ride-on vehicle depicted in FIG. 1.

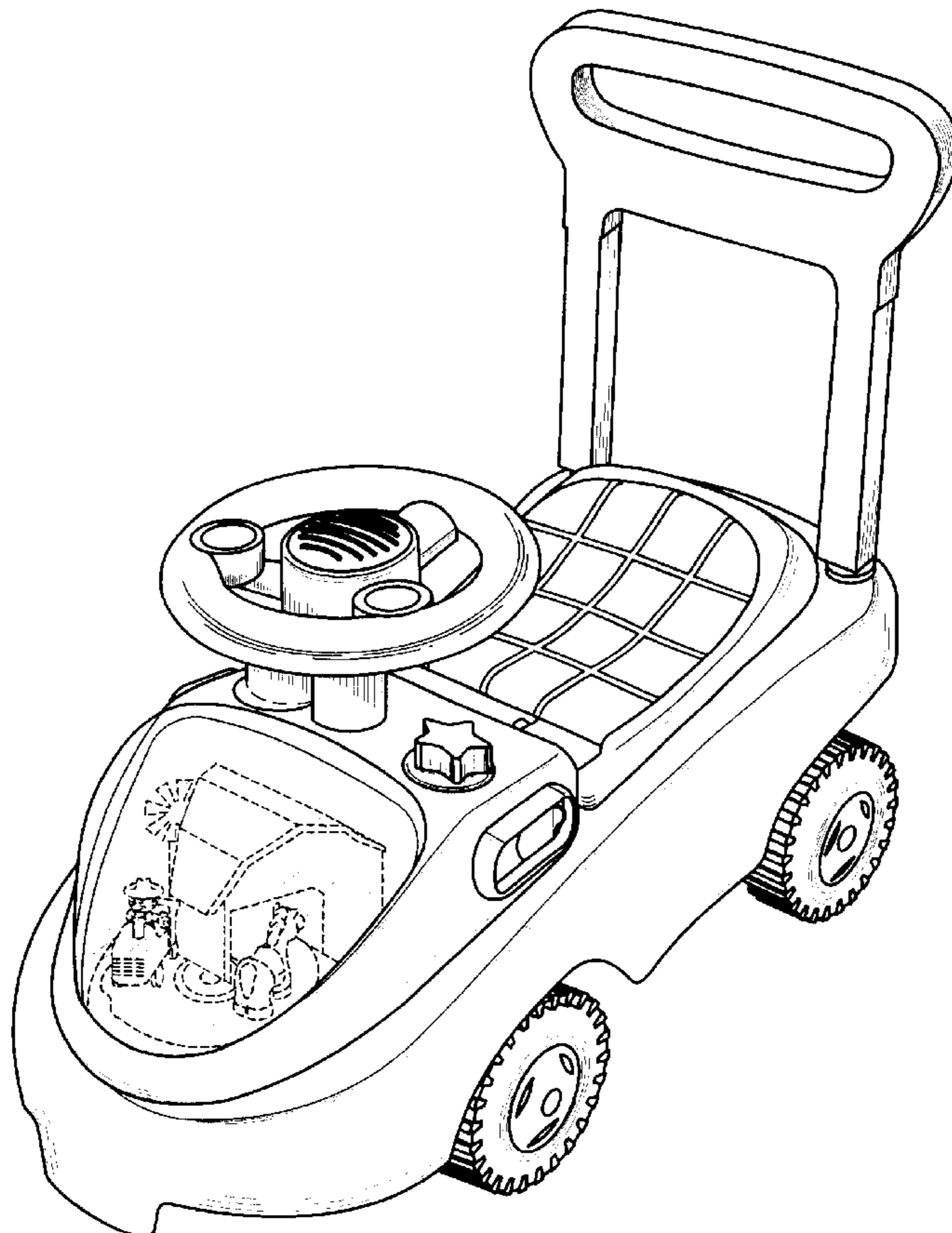
FIG. 5 is a front elevation view of the ride-on vehicle depicted in FIG. 1.

FIG. 6 is a top plan view of the ride-on vehicle depicted in FIG. 1.

FIG. 7 is a bottom plan view of the ride-on vehicle depicted in FIG. 1.

The broken lines shown in FIGS. 1, 2, 3, 5 and 6 are for illustrative purposes only and form no part of the claimed design.

1 Claim, 3 Drawing Sheets



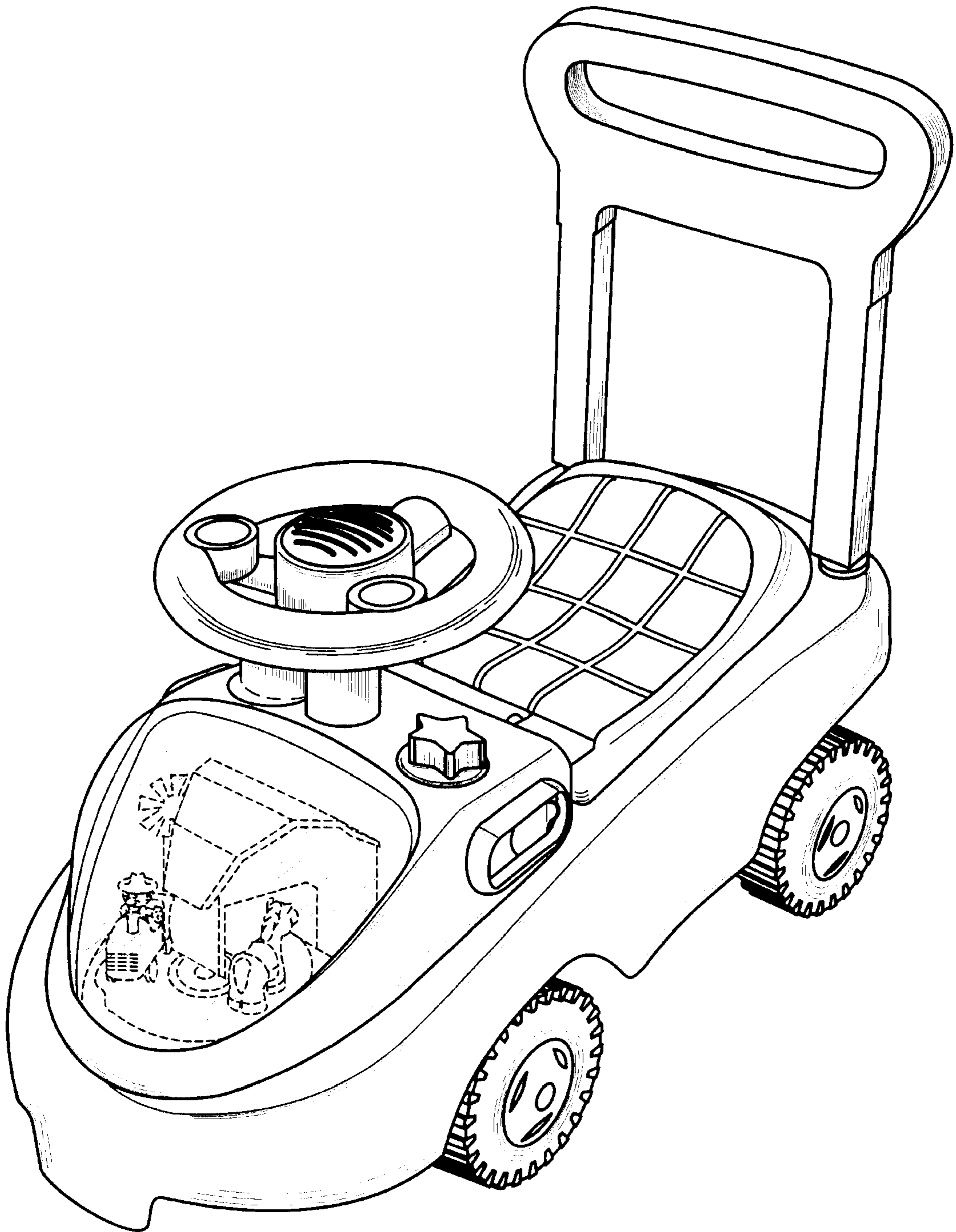


FIG. 1

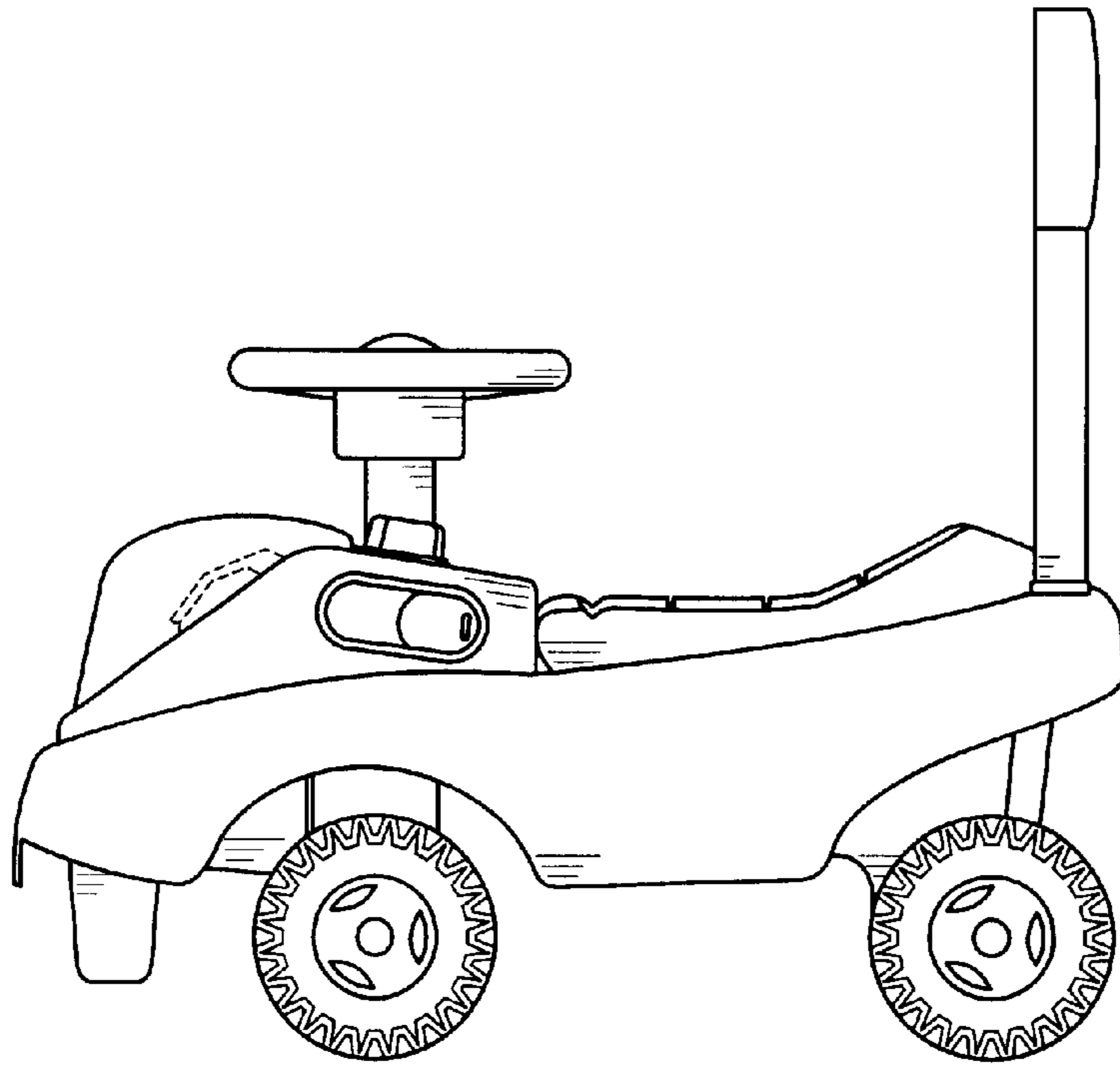


FIG. 2

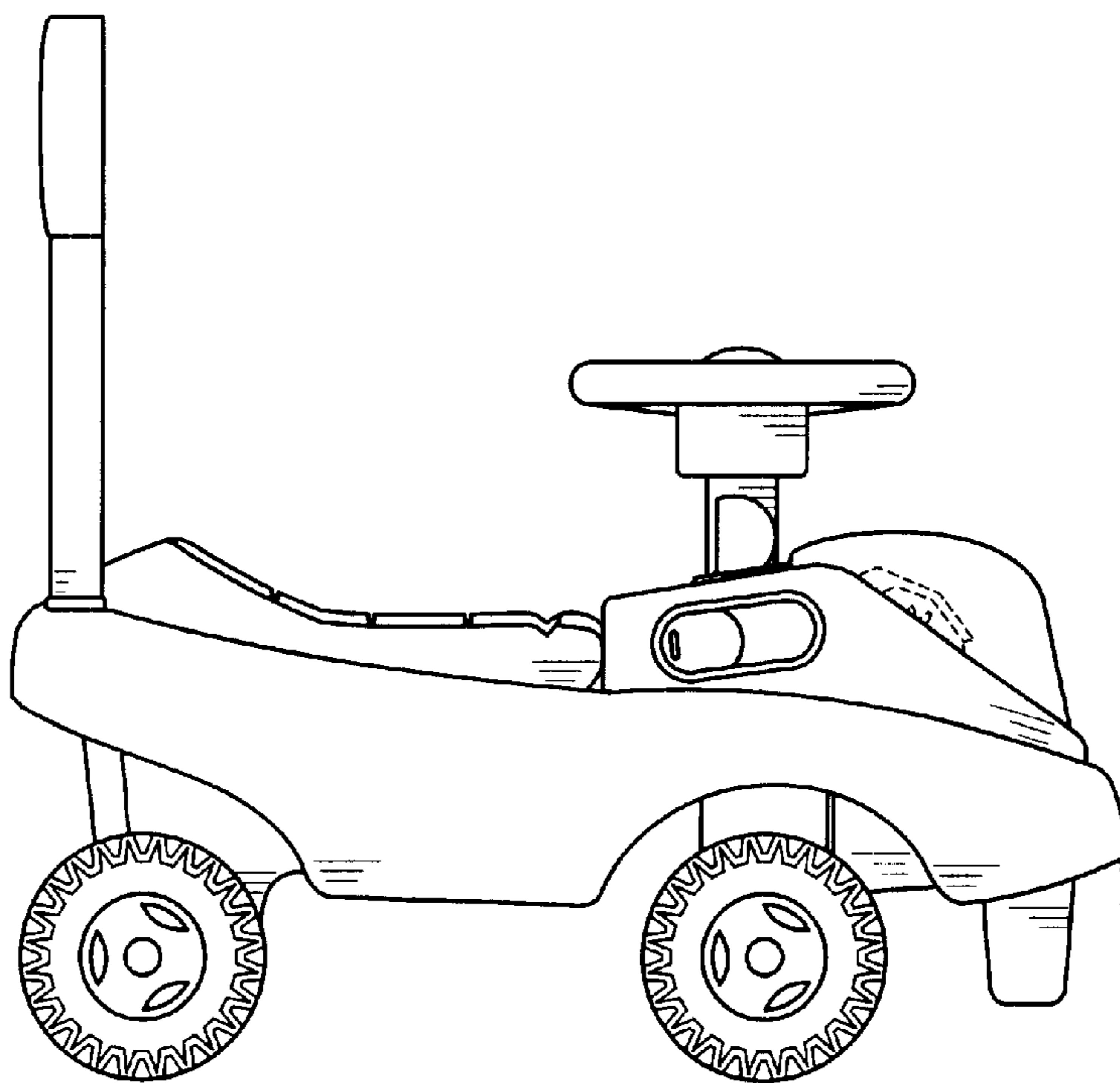


FIG. 3

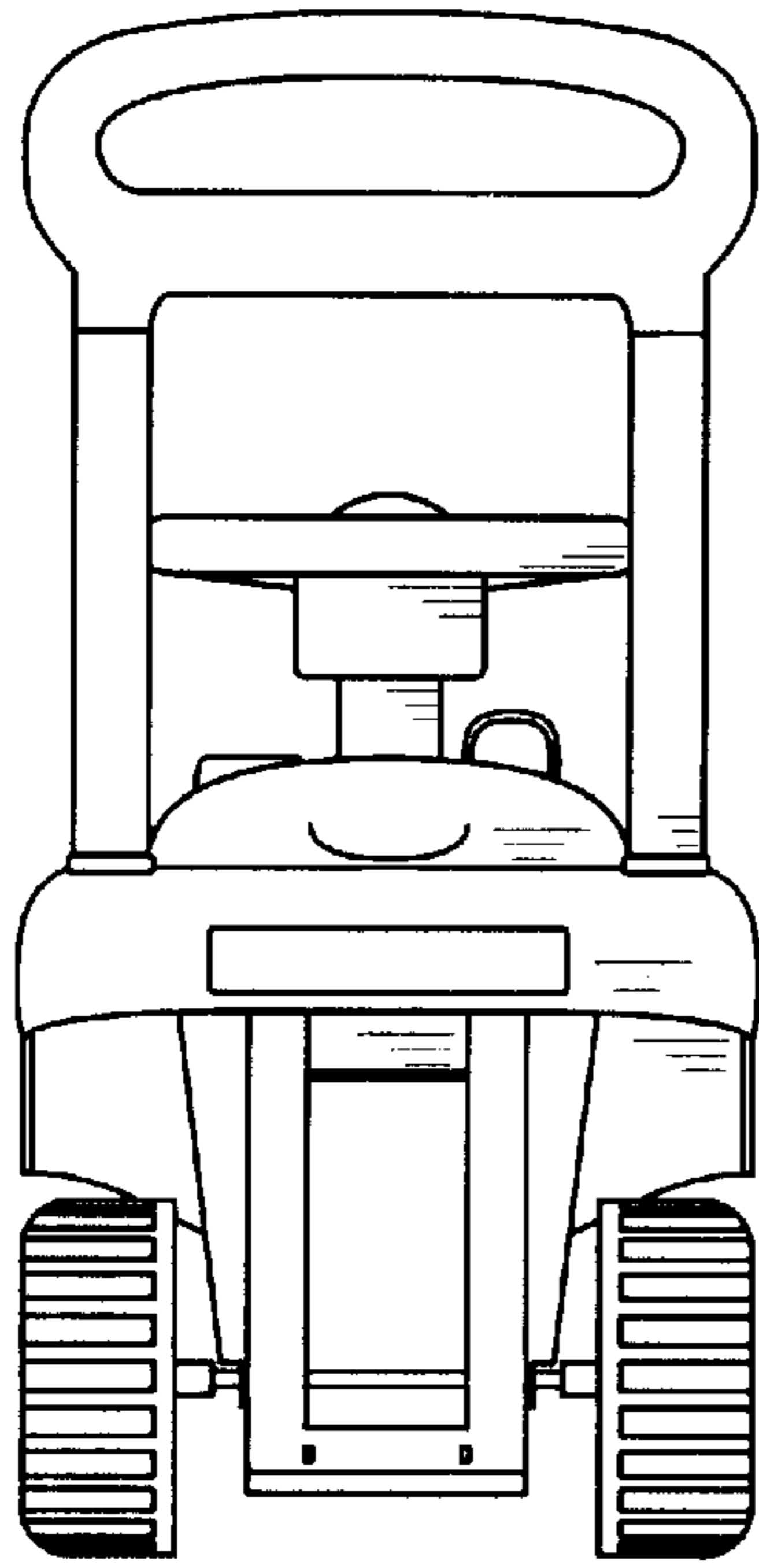


FIG. 4

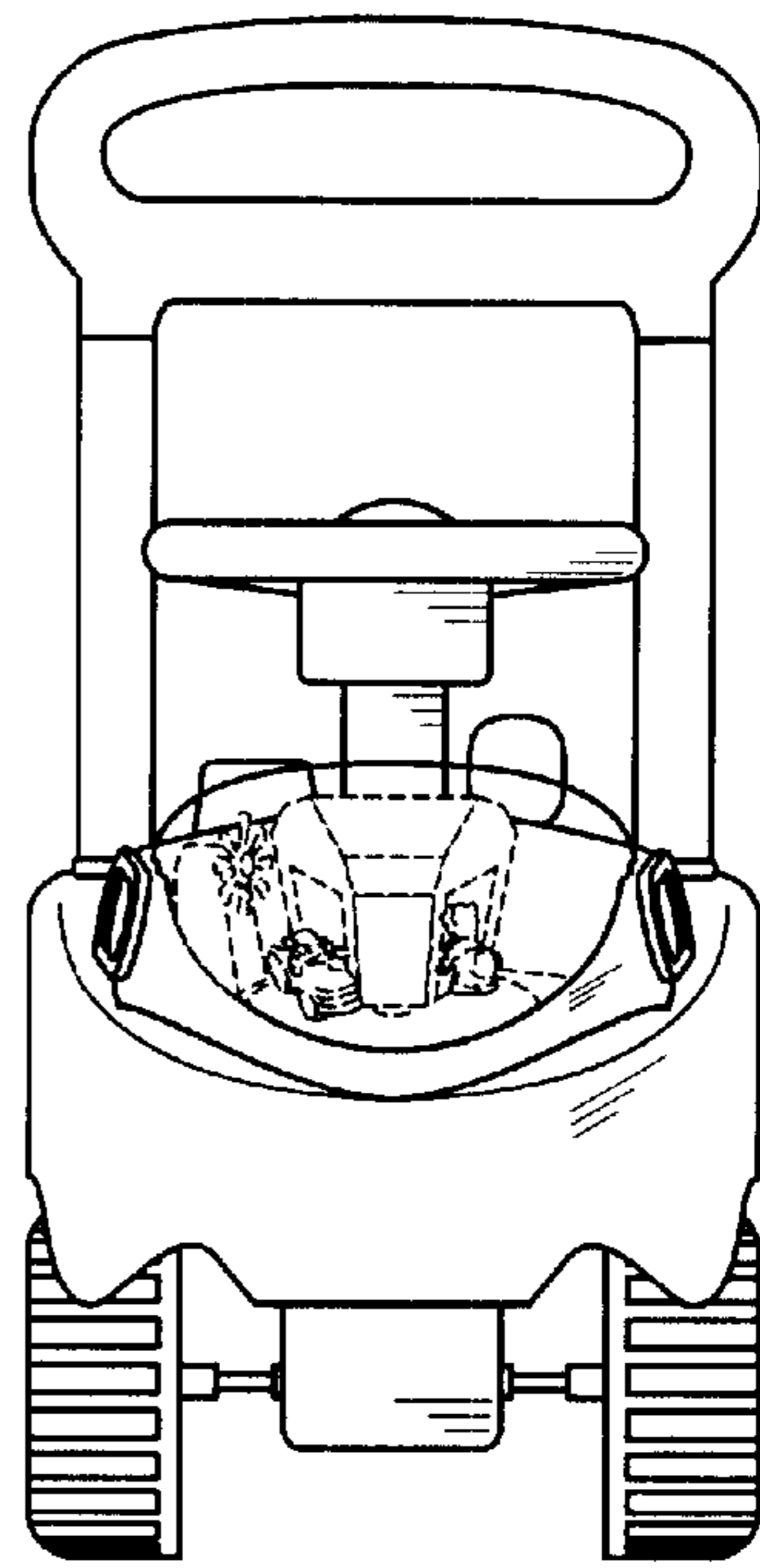


FIG. 5

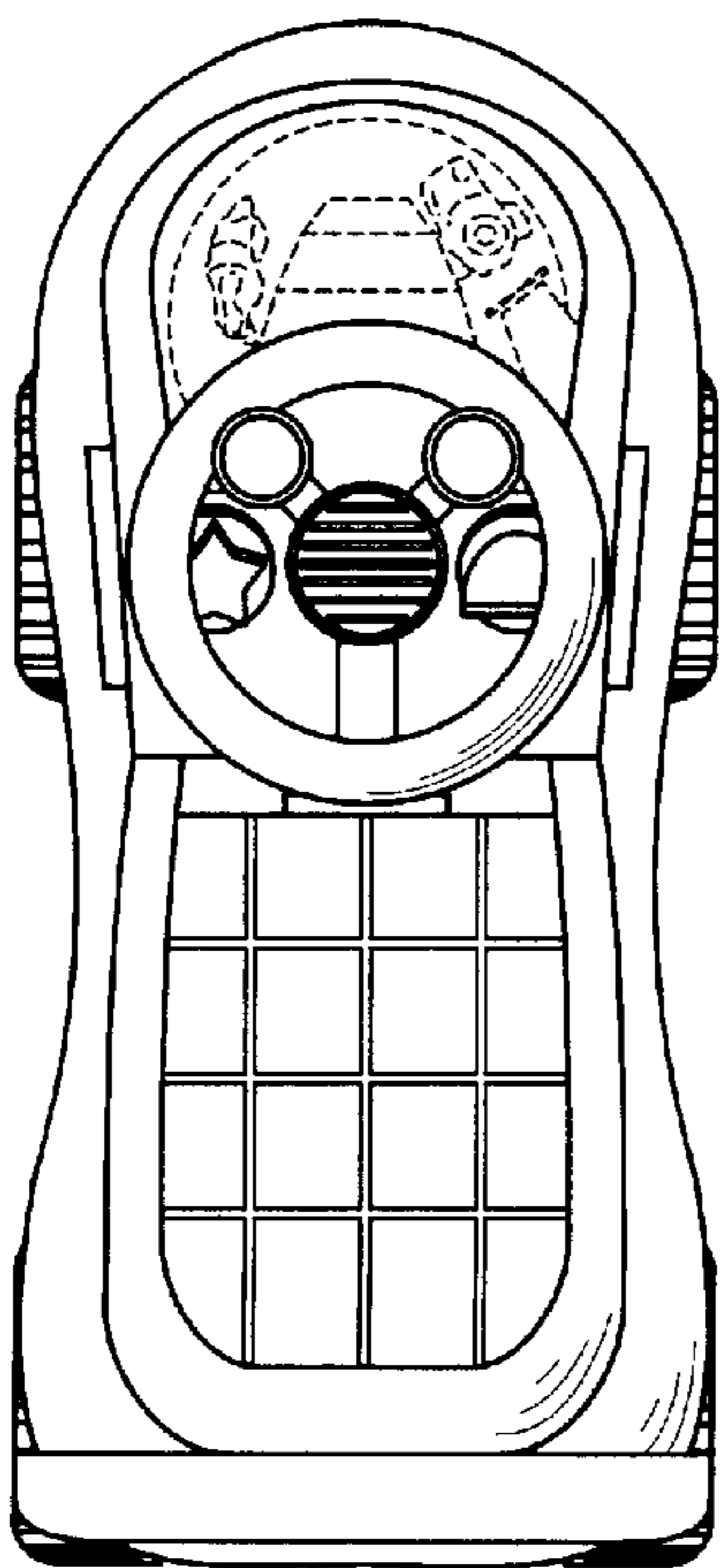


FIG. 6

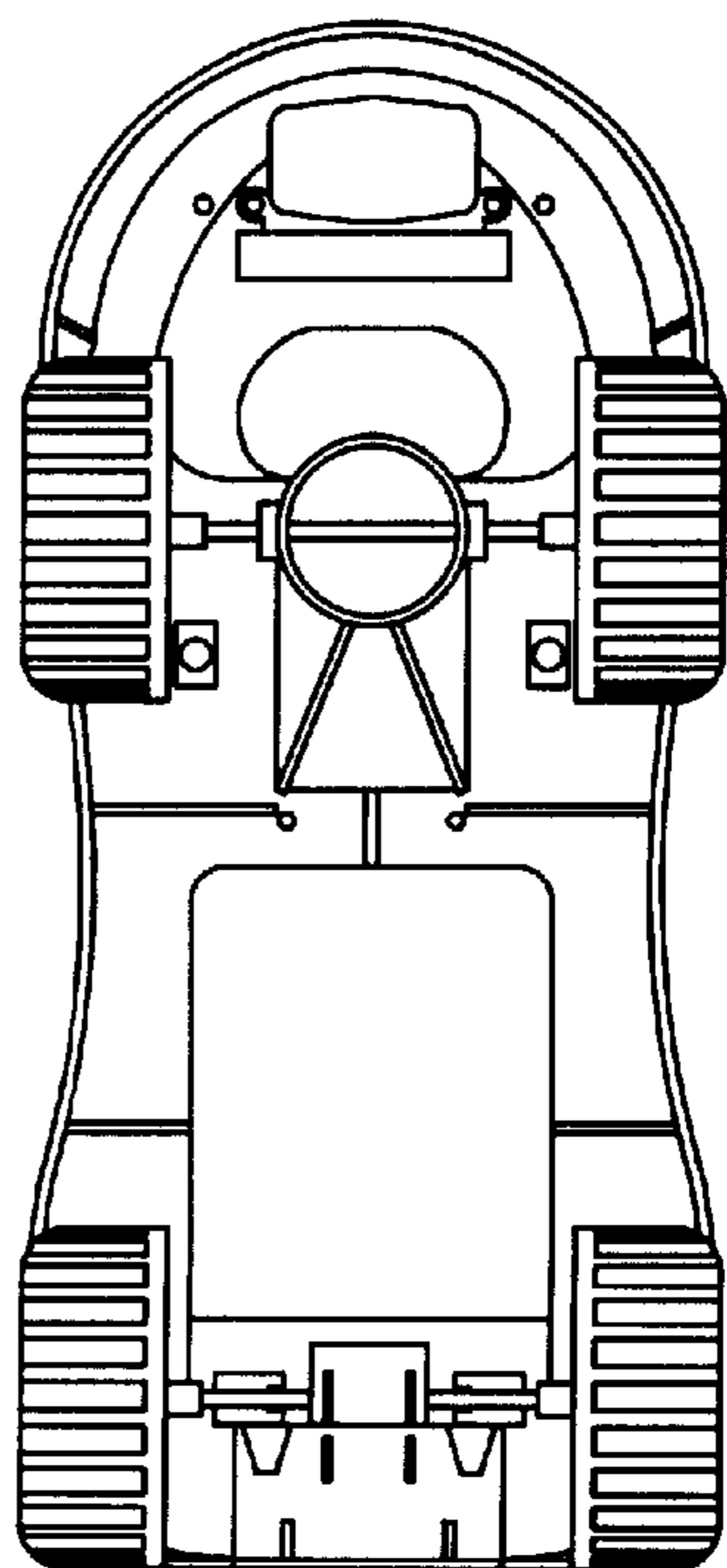


FIG. 7