



US00D485870S

(12) **United States Design Patent**
Norman et al.

(10) **Patent No.:** **US D485,870 S**

(45) **Date of Patent:** **** Jan. 27, 2004**

(54) **AIRPLANE SHAPED ROCKING APPARATUS**

(76) Inventors: **George P. Norman**, 17045 Hilton Dr., Southfield, MI (US) 48075; **Nathan E. Norman**, 17045 Hilton Dr., Southfield, MI (US) 48075

(**) Term: **14 Years**

(21) Appl. No.: **29/150,488**

(22) Filed: **Nov. 19, 2001**

(51) **LOC (7) Cl.** **21-01**

(52) **U.S. Cl.** **D21/414**

(58) **Field of Search** D21/398, 521, D21/412, 522, 414, 533, 419, 814, 424, 831, 427, 833, 430, 447-450, 483, 519; D6/345, 348, 358, 388; D12/6, 9, 319; 446/29, 71, 76, 230, 232, 236, 396; 472/130, 135, 95, 102; 297/181, 258.1, 271.6, DIG. 7; 280/1.21

(56) **References Cited**

U.S. PATENT DOCUMENTS

D54,879 S	*	4/1920	Van Wuyckhuysse	D21/414
D55,608 S	*	7/1920	Grill	D21/430
D55,743 S	*	7/1920	Carls et al.	D21/430
1,789,680 A		1/1931	Gwinnett		
D162,245 S	*	2/1951	Smith	D21/414
2,658,753 A	*	11/1953	Dawson	472/130

4,505,472 A		3/1985	Lorenc et al.		
D315,929 S	*	4/1991	Bush	D21/414
5,173,072 A		12/1992	Ozawa		
5,328,410 A		7/1994	Amburgey et al.		
5,482,494 A		1/1996	Ishimoto		
5,591,086 A		1/1997	Kast		
5,738,539 A		4/1998	Caveney et al.		
D429,772 S	*	8/2000	Hsia	D21/414
6,106,362 A		8/2000	Keller et al.		
6,152,828 A		11/2000	Tomita et al.		

* cited by examiner

Primary Examiner—Philip S. Hyder

Assistant Examiner—C. Tuttle

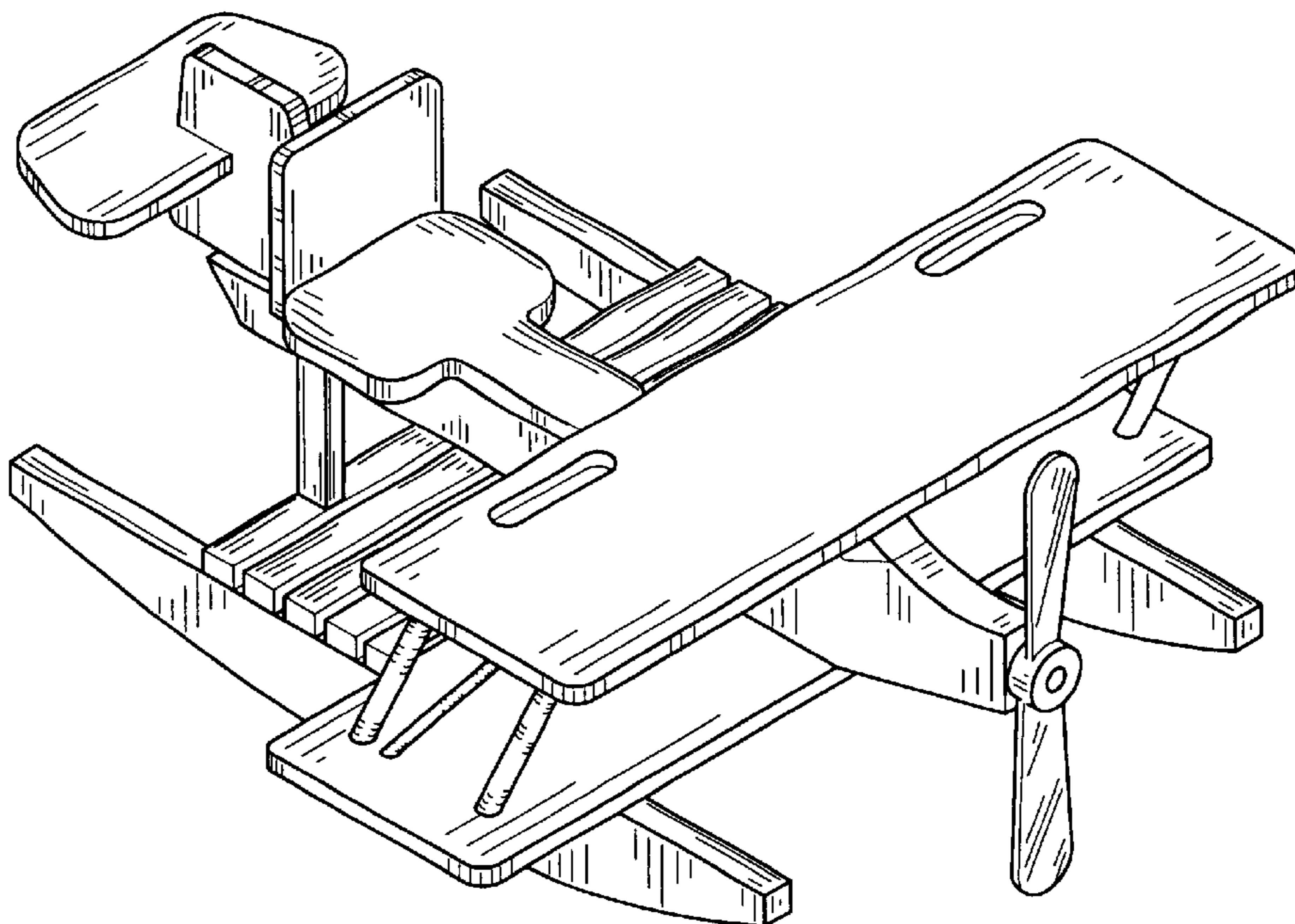
(57) **CLAIM**

The ornamental design for a airplane shaped rocking apparatus, as shown and described.

DESCRIPTION

FIG. 1 is a perspective view of a airplane shaped rocking apparatus showing our new design; FIG. 2 is a left side elevational view thereof; FIG. 3 is a right side elevational view thereof; FIG. 4 is a top plan view thereof; FIG. 5 is a bottom plan view thereof; FIG. 6 is a front elevational view; and, FIG. 7 is a rear elevational view thereof.

1 Claim, 4 Drawing Sheets



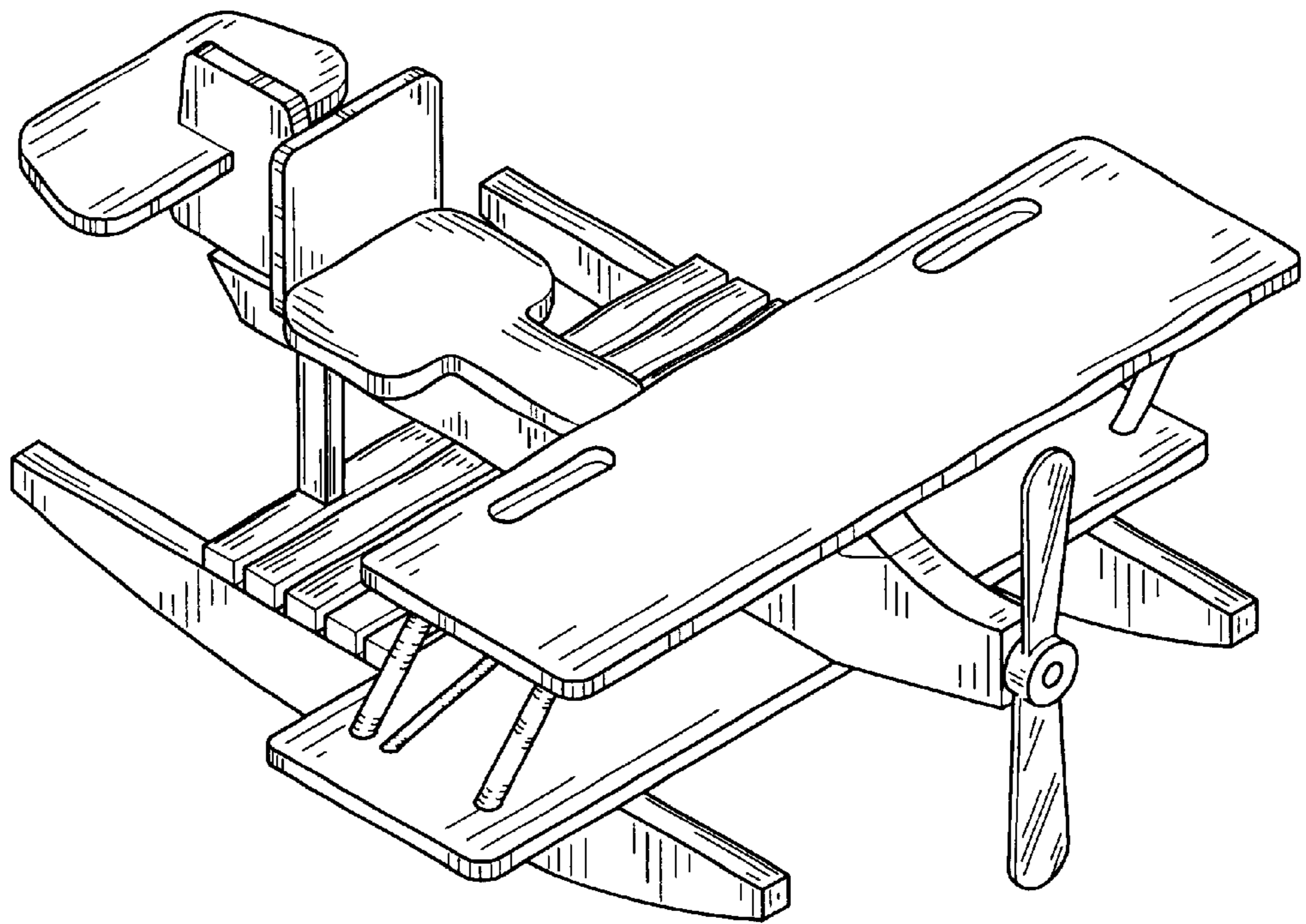


Figure 1

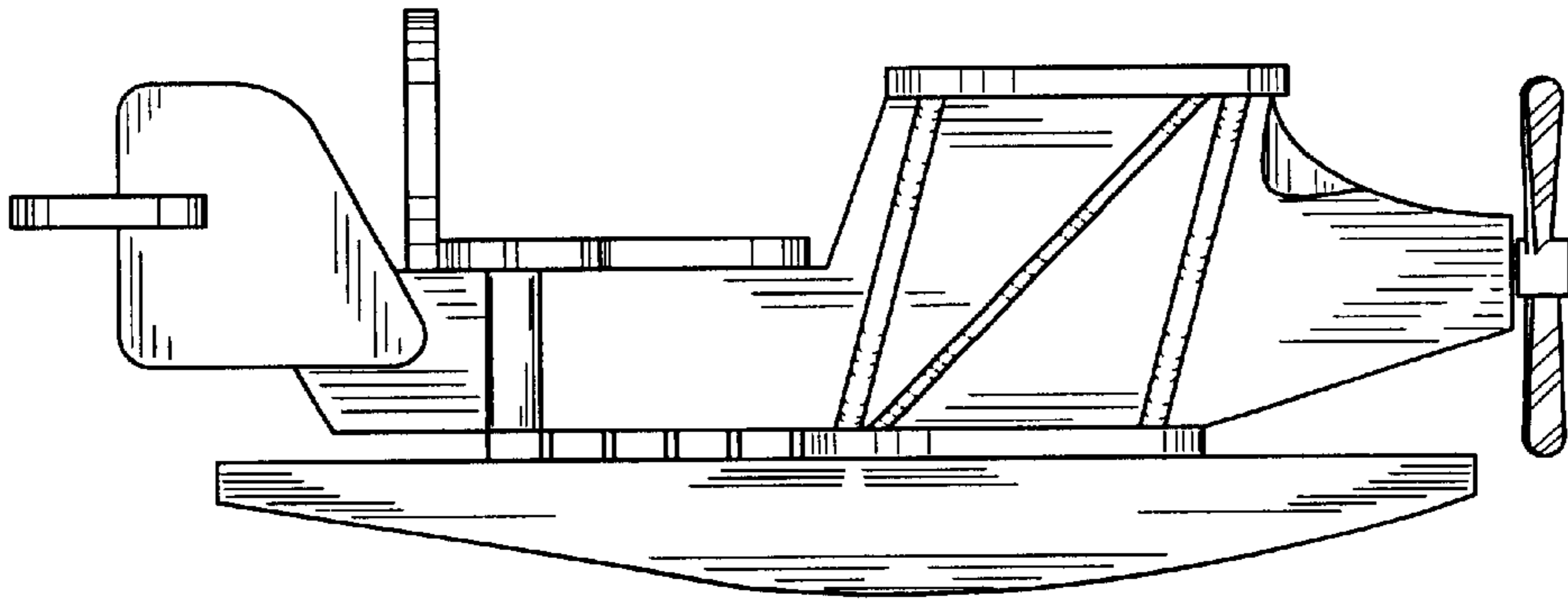


Figure 2

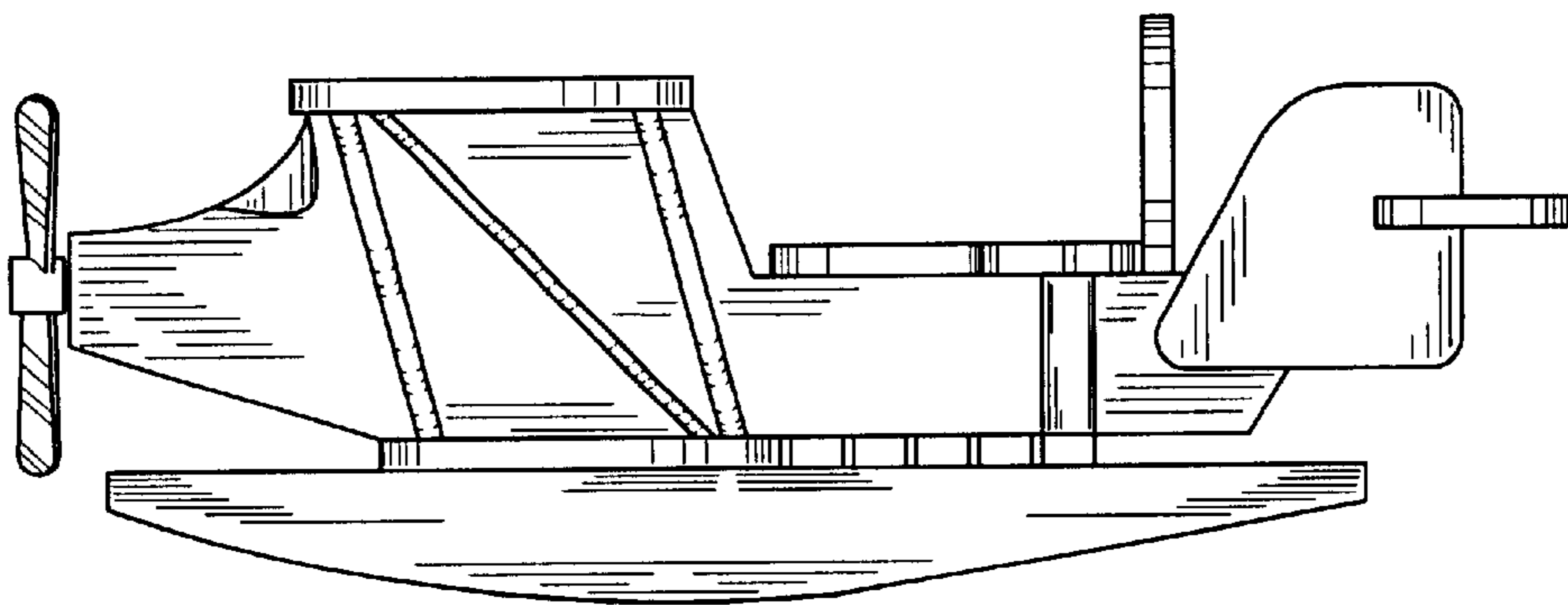


Figure 3

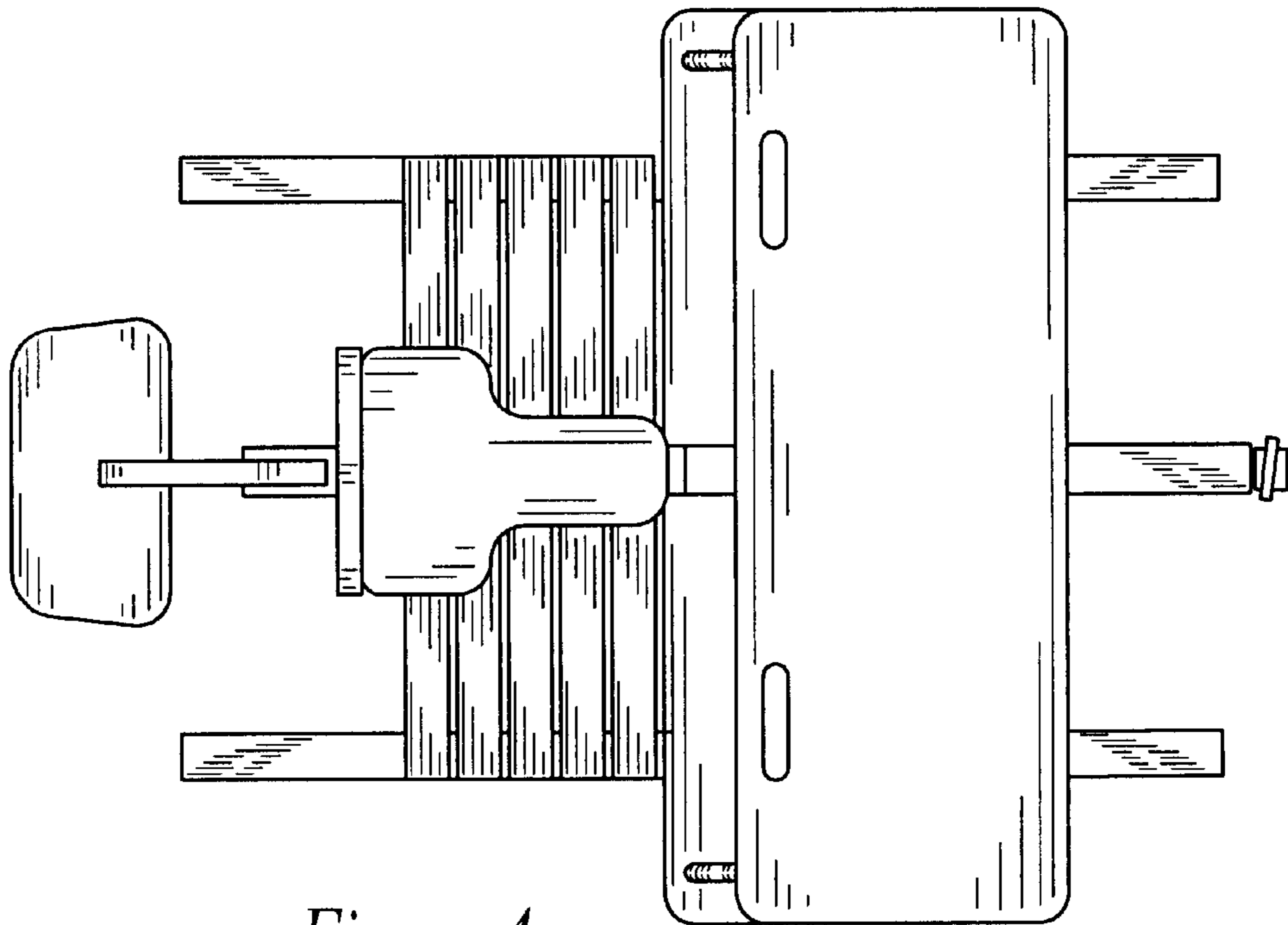


Figure 4

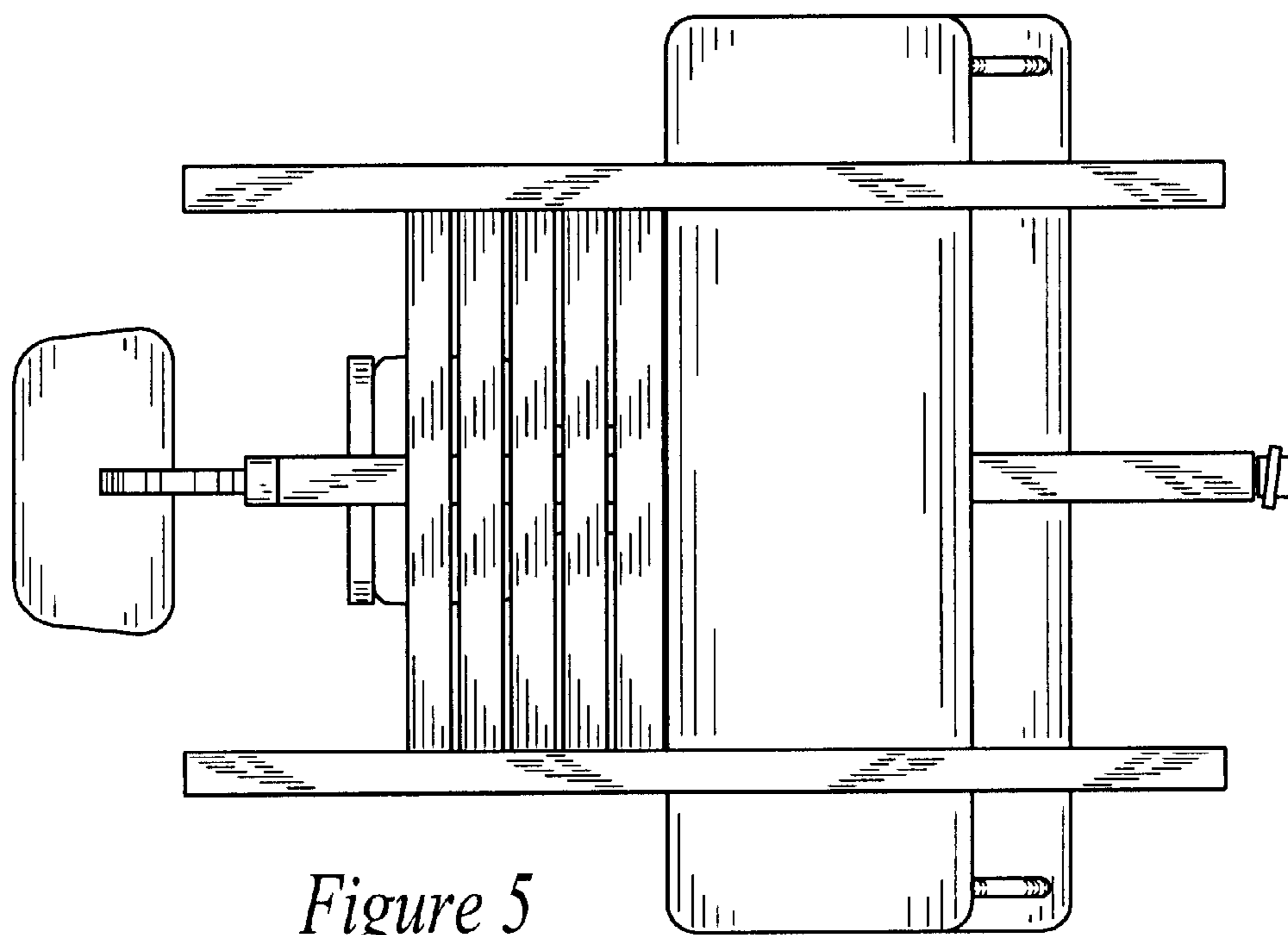


Figure 5

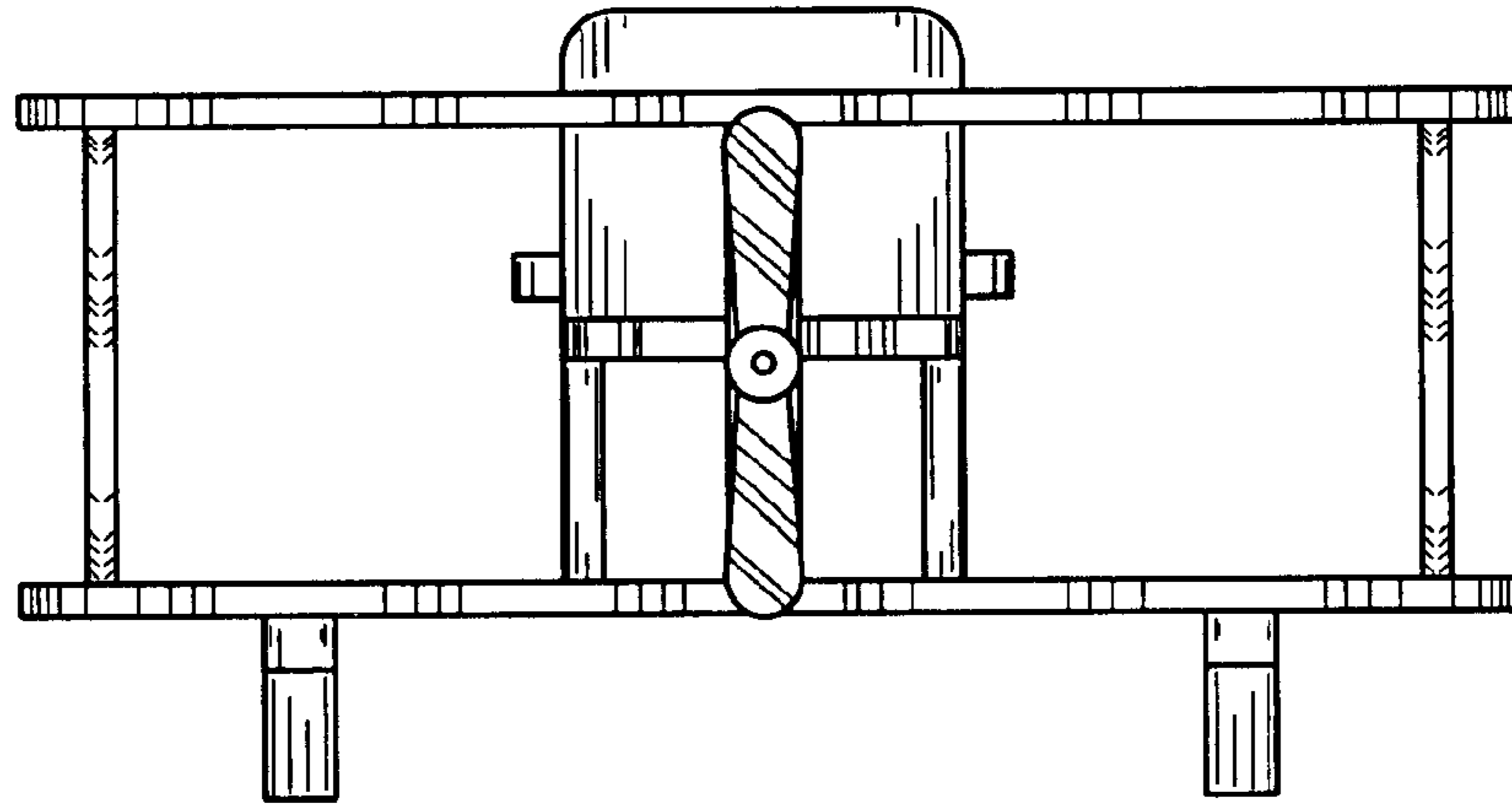


Figure 6

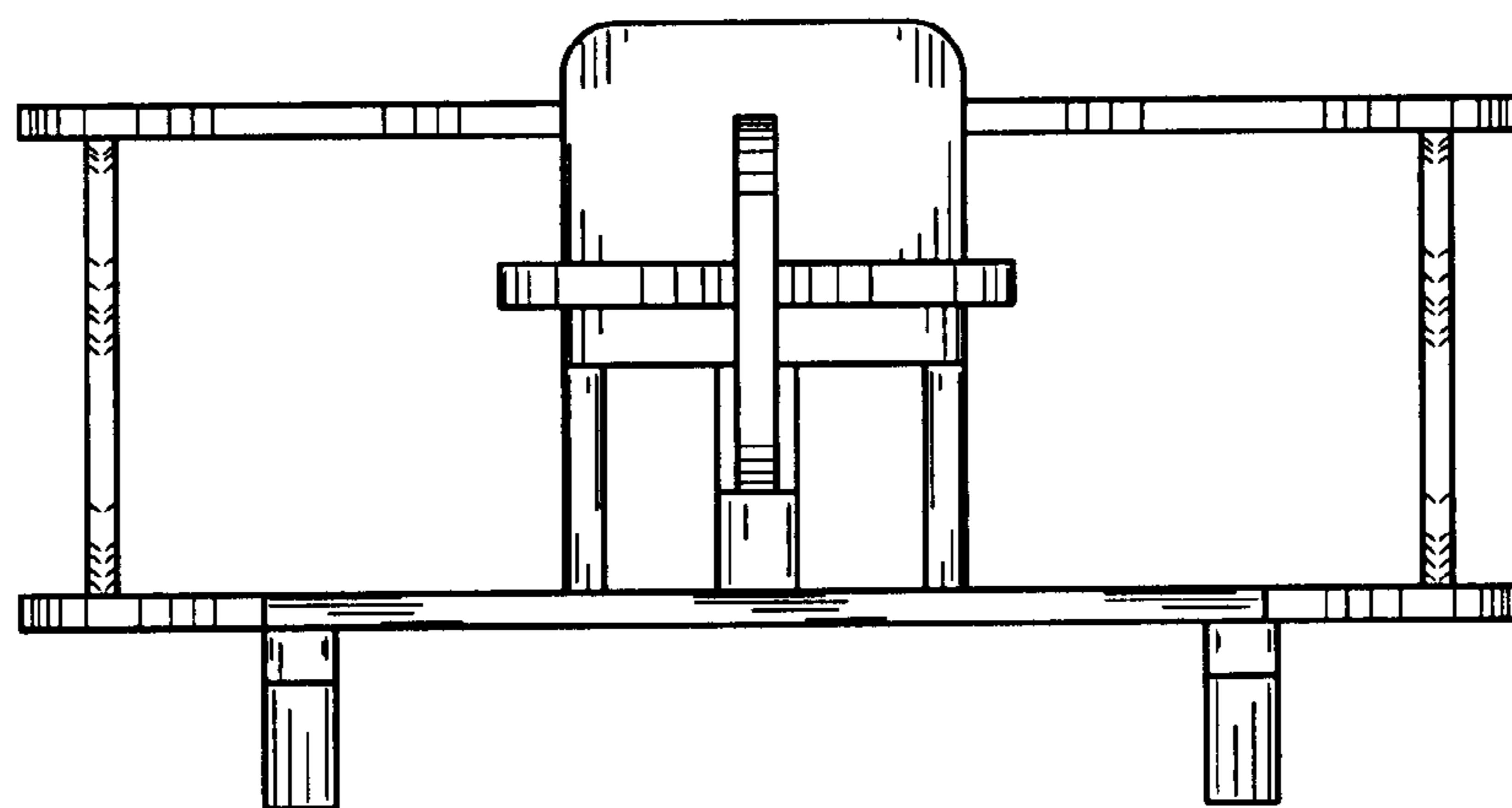


Figure 7