



US00D485867S

(12) **United States Design Patent**
Braun

(10) **Patent No.:** **US D485,867 S**

(45) **Date of Patent:** **** Jan. 27, 2004**

(54) **GAME BOARD SLOT**

(76) Inventor: **Louis F. Braun**, 4161 Penrose Pl.,
Rapid City, SD (US) 57702

(**) Term: **14 Years**

(21) Appl. No.: **29/162,987**

(22) Filed: **Jun. 25, 2002**

(51) **LOC (7) Cl.** **21-01**

(52) **U.S. Cl.** **D21/385; D21/392**

(58) **Field of Search** D19/86, 90; D20/44;
D21/392-394, 396; 273/150, 151, 148 A,
309; D6/407, 457, 513, 629; 211/40, 41.1,
41.2, 41.12

(56) **References Cited**

U.S. PATENT DOCUMENTS

2,394,866	A	*	2/1946	McClune	273/309
2,620,928	A	*	12/1952	Brooks	211/41.2
2,742,292	A	*	4/1956	McDonough	273/150
4,266,771	A		5/1981	Carbone et al.		
4,291,882	A		9/1981	Del Monte		
D262,727	S	*	1/1982	Snyder	D21/392
D264,358	S		5/1982	Welteroth		
D271,895	S	*	12/1983	Runions	D21/392
D273,961	S	*	5/1984	Bassey	D6/457
4,453,714	A	*	6/1984	Houser	273/148 A

4,684,132	A		8/1987	Wolford		
5,215,198	A	*	6/1993	Sutton	211/40
D353,412	S	*	12/1994	Bull et al.	D21/392
D397,735	S		9/1998	Spranger		
6,092,676	A	*	7/2000	Graham	211/41.2
D439,622	S		3/2001	Golad et al.		
6,405,878	B1	*	6/2002	Graham	211/41.2

* cited by examiner

Primary Examiner—Sandra L. Morris

(74) *Attorney, Agent, or Firm*—Karl G. Hanson

(57) **CLAIM**

The ornamental design for a game board slot, as shown and described.

DESCRIPTION

FIG. 1 is a perspective view, showing the new design for a game board slot;

FIG. 2 is another perspective view thereof;

FIG. 3 is a right side view thereof, the left side view being a mirror image of the right side view;

FIG. 4 is a top view thereof;

FIG. 5 is a bottom view thereof; and,

FIG. 6 is a front view thereof.

The broken line showing forms no part of the claimed design.

1 Claim, 4 Drawing Sheets

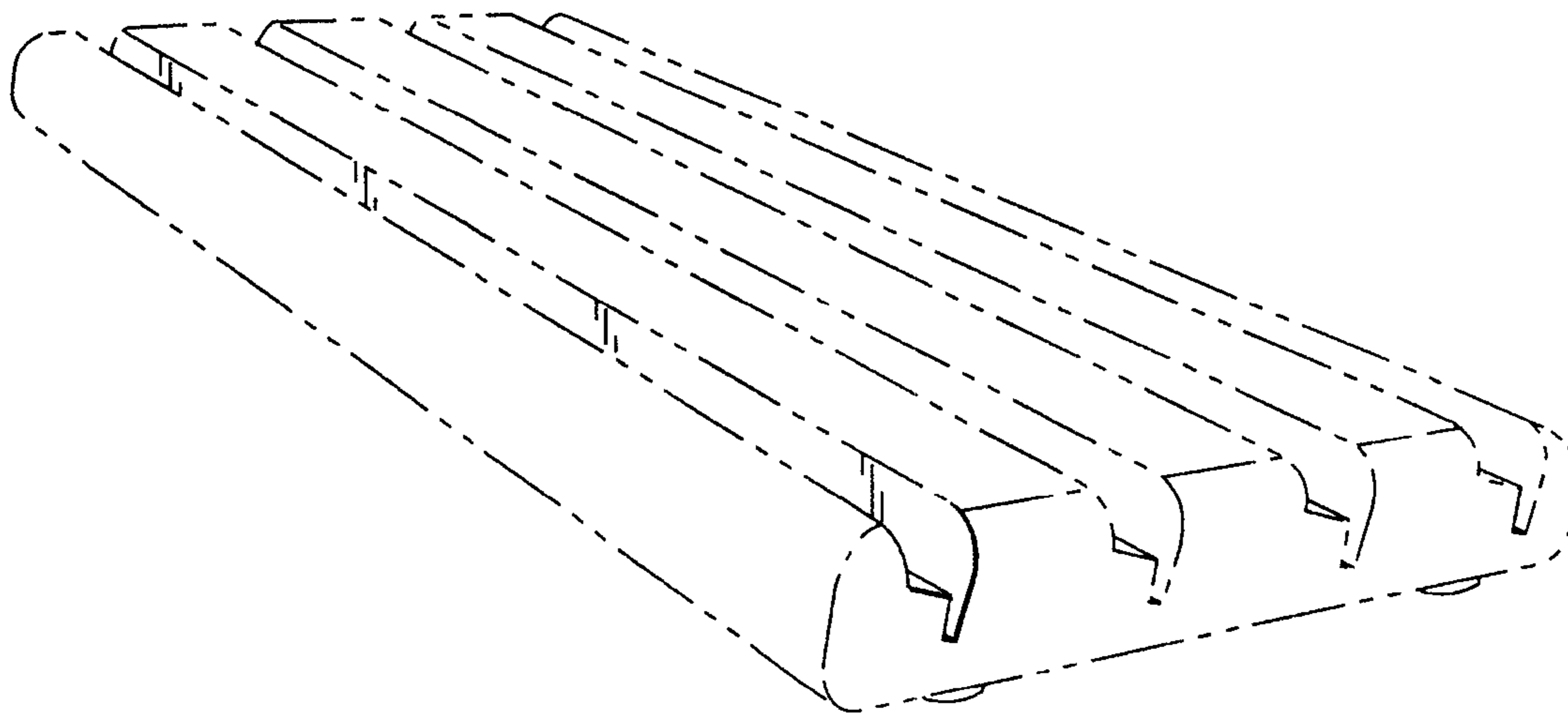




Fig. 1

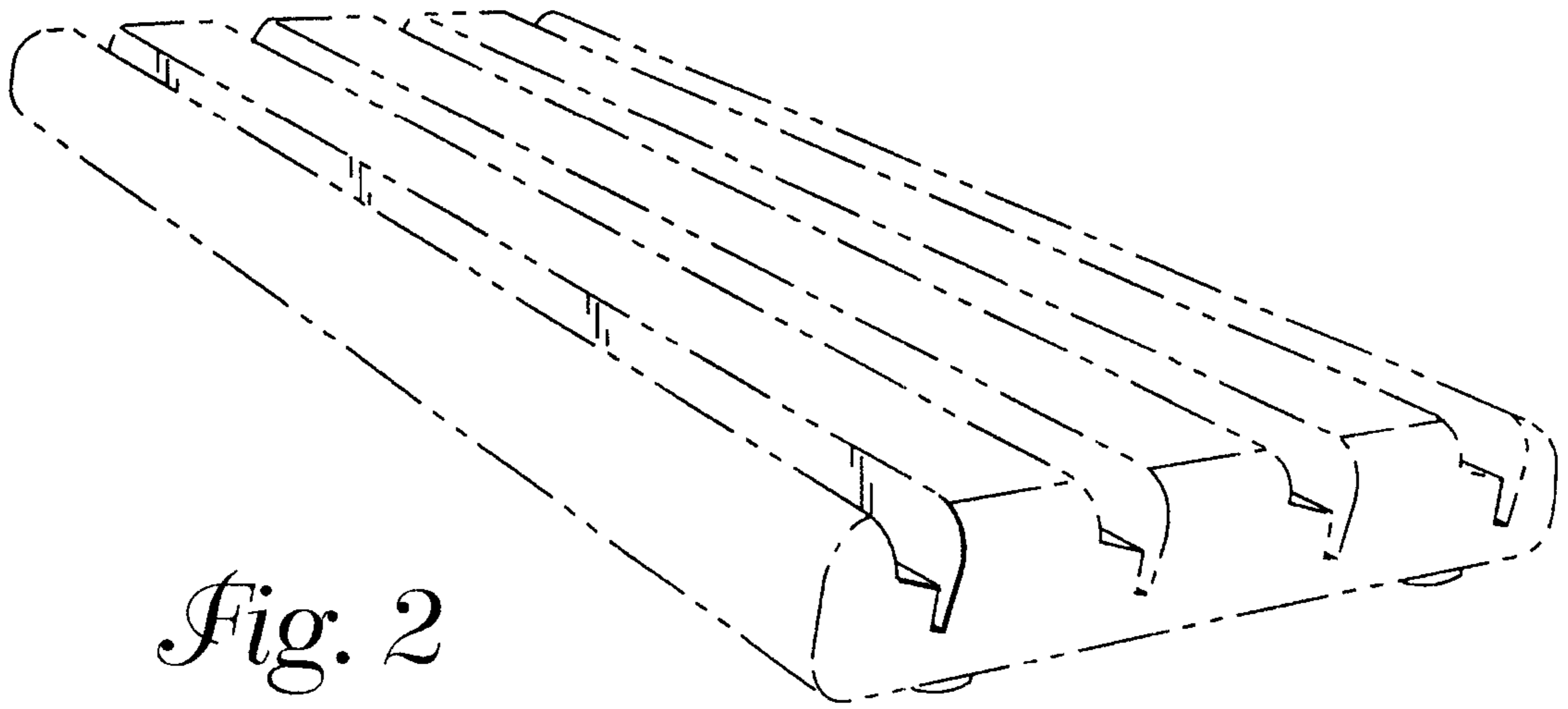


Fig. 2

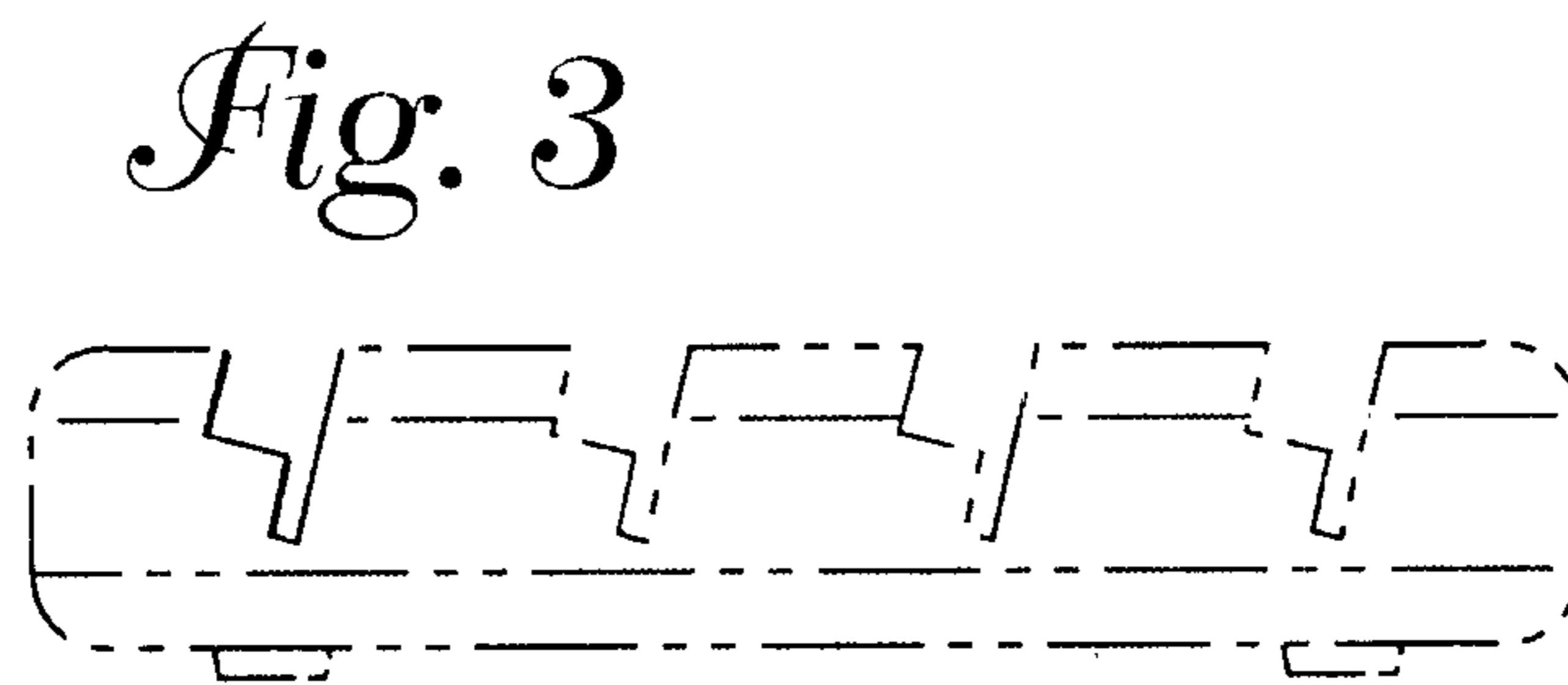


Fig. 3

Fig. 4

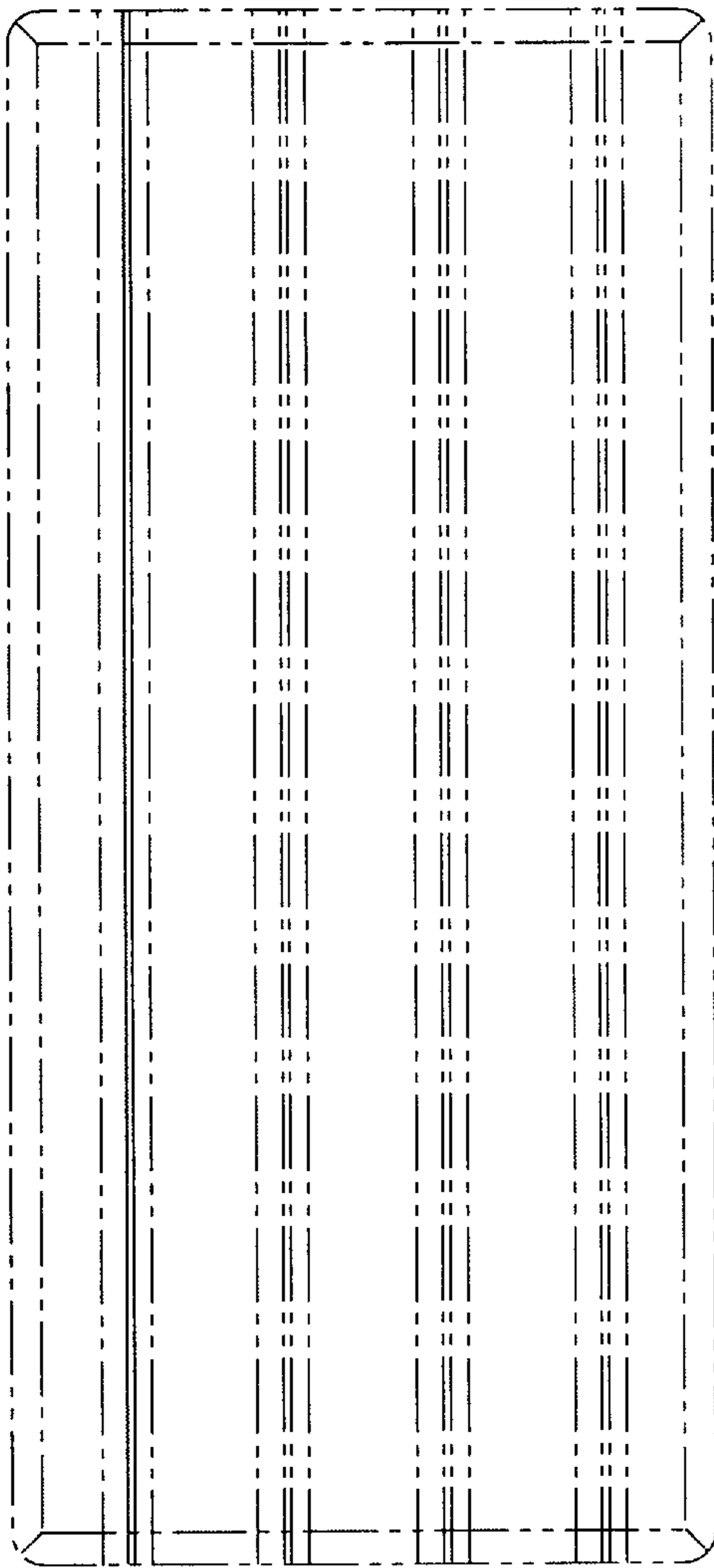


Fig. 5

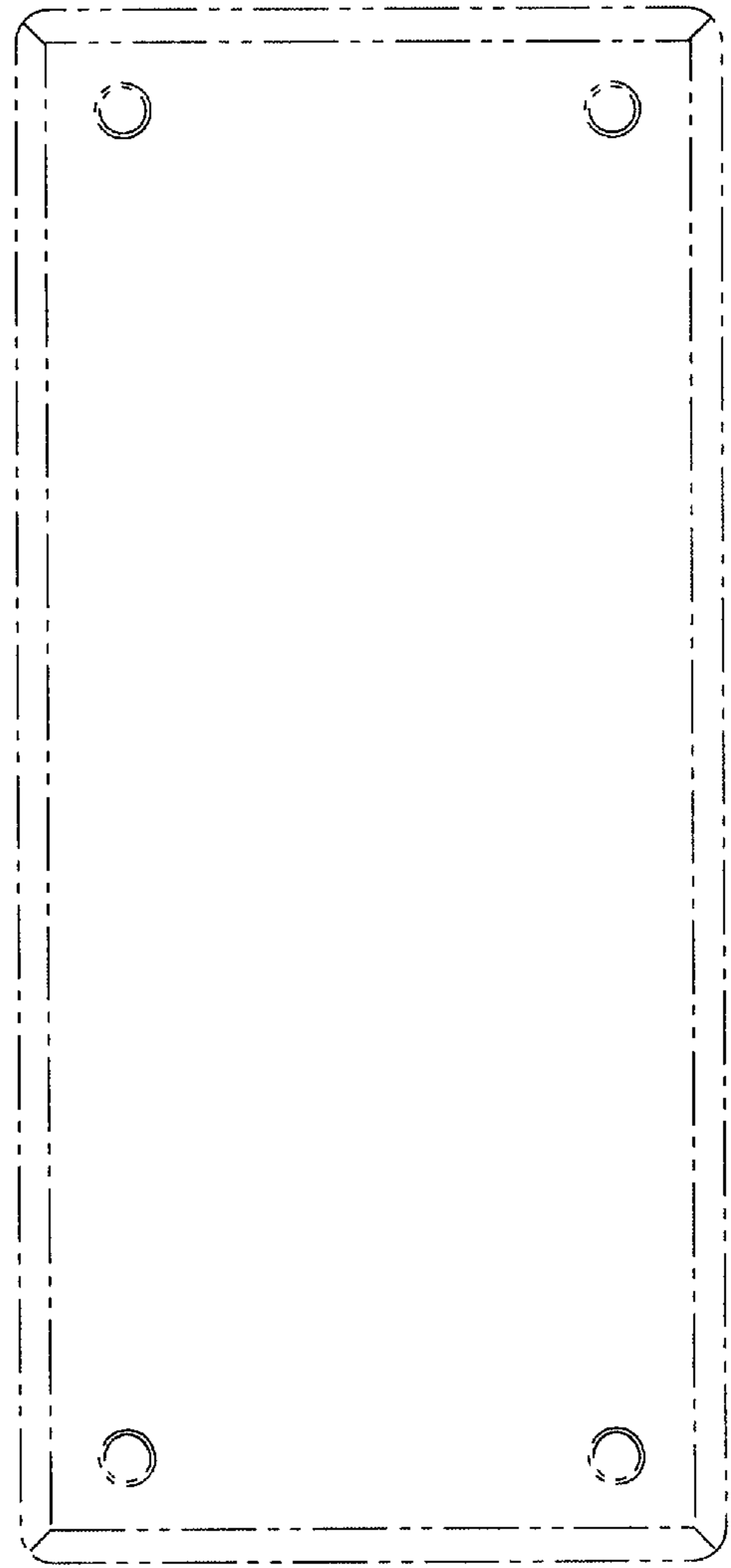




Fig. 6