



US00D485858S

(12) **United States Design Patent**
Sugata et al.

(10) **Patent No.:** **US D485,858 S**

(45) **Date of Patent:** **** Jan. 27, 2004**

(54) **INK BOTTLE**

2002/0158943 A1 * 10/2002 Powell et al. 347/49

(75) Inventors: **Katsumi Sugata**, Machida (JP); **Akira Yamamoto**, Hachioji (JP); **Fumihiko Ueno**, Hachioji (JP); **Noriko Yokoyama**, Hachioji (JP); **Kyoichi Inoue**, Akishima (JP)

* cited by examiner

Primary Examiner—Caron D. Veynar

(74) *Attorney, Agent, or Firm*—Hogan & Hartson LLP

(73) Assignee: **Olympus Optical Co., Ltd.**, Tokyo (JP)

(57) **CLAIM**

(**) Term: **14 Years**

The ornamental design for an ink bottle, as shown and described.

(21) Appl. No.: **29/171,551**

(22) Filed: **Nov. 22, 2002**

DESCRIPTION

Related U.S. Application Data

(62) Division of application No. 29/142,085, filed on May 16, 2001, now Pat. No. Des. 471,584.

(51) **LOC (7) Cl.** **16-03**

(52) **U.S. Cl.** **D18/43; D9/523**

(58) **Field of Search** D18/40, 43, 56;
D9/516, 525, 526, 530, 543, 575; 215/383,
384, 398; 399/24, 27, 28, 110-112, 252,
262; 347/49, 86; 222/DIG. 1

FIG. 1 is a front elevational view of a first embodiment of the ink bottle; the opposite side being a mirror image thereof;

FIG. 2 is a left side elevational view thereof;

FIG. 3 is a right side elevational view thereof;

FIG. 4 is a top plan view thereof;

FIG. 5 is a bottom plan view thereof;

FIG. 6 is a front elevational view showing a state in which a cap is attached to an upper portion thereof;

FIG. 7 is a right side elevational view showing the state in which the cap is attached to the upper portion thereof;

FIG. 8 is a front elevational view showing the state in which the cap is attached to a lower portion thereof;

FIG. 9 is a right side elevational view showing the state in which the cap is attached to the lower portion thereof;

FIG. 10 is a front elevational view of a second embodiment of the ink bottle; the opposite side being a mirror image thereof;

FIG. 11 is a left side elevational view thereof;

FIG. 12 is a left side elevational view thereof;

FIG. 13 is a top plan view thereof; and,

FIG. 14 is a bottom plan view thereof.

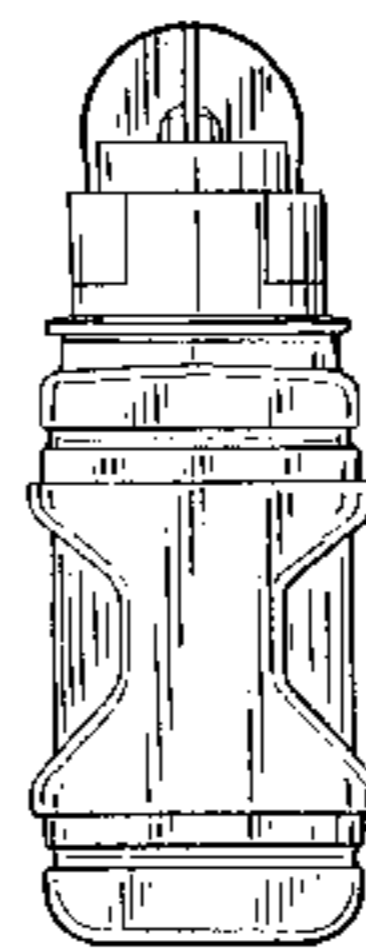
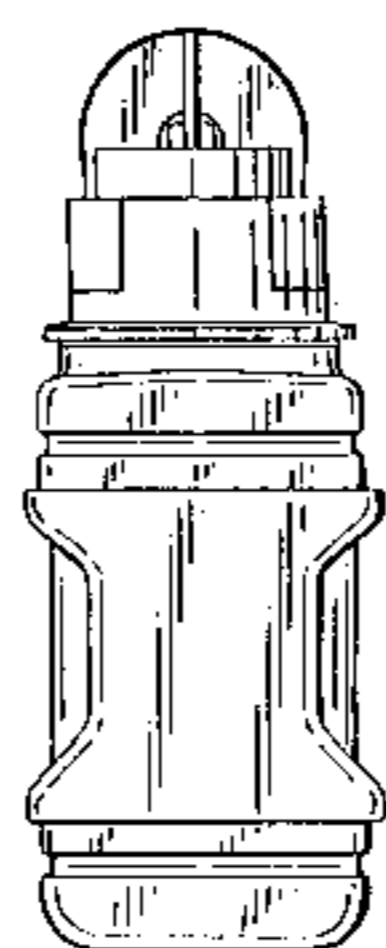
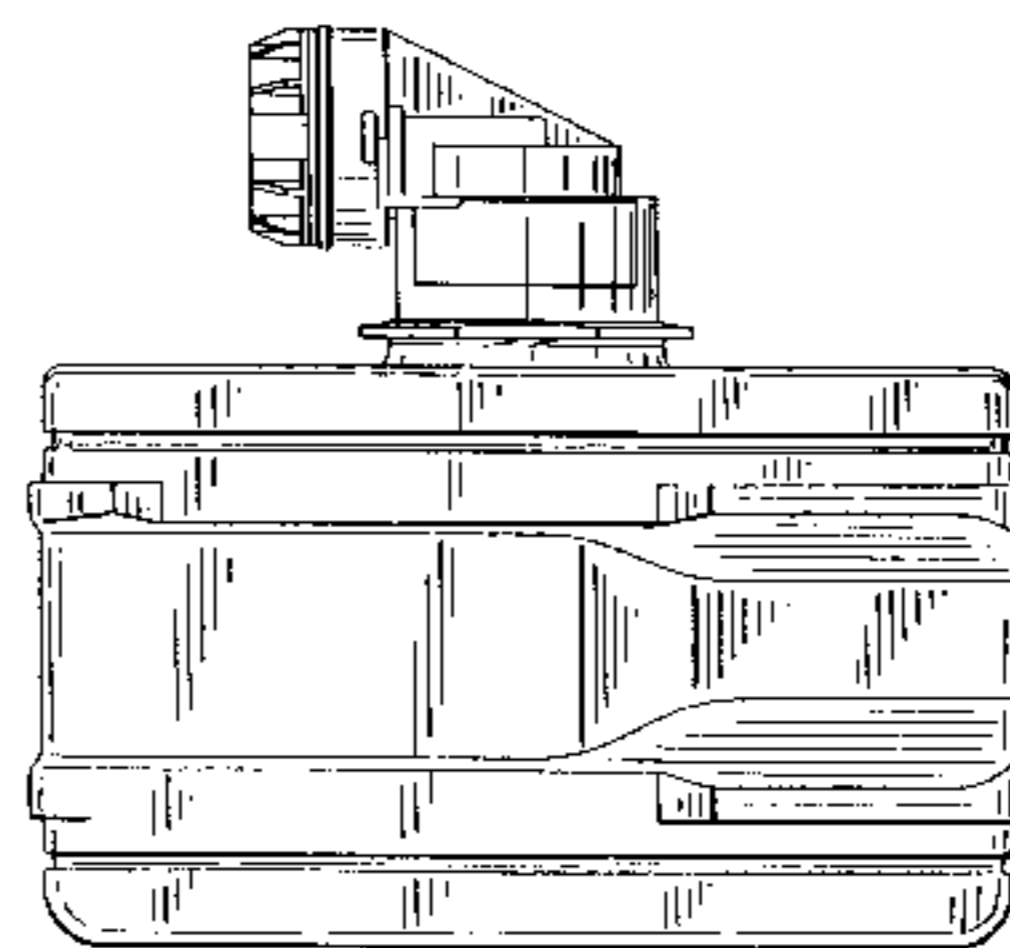
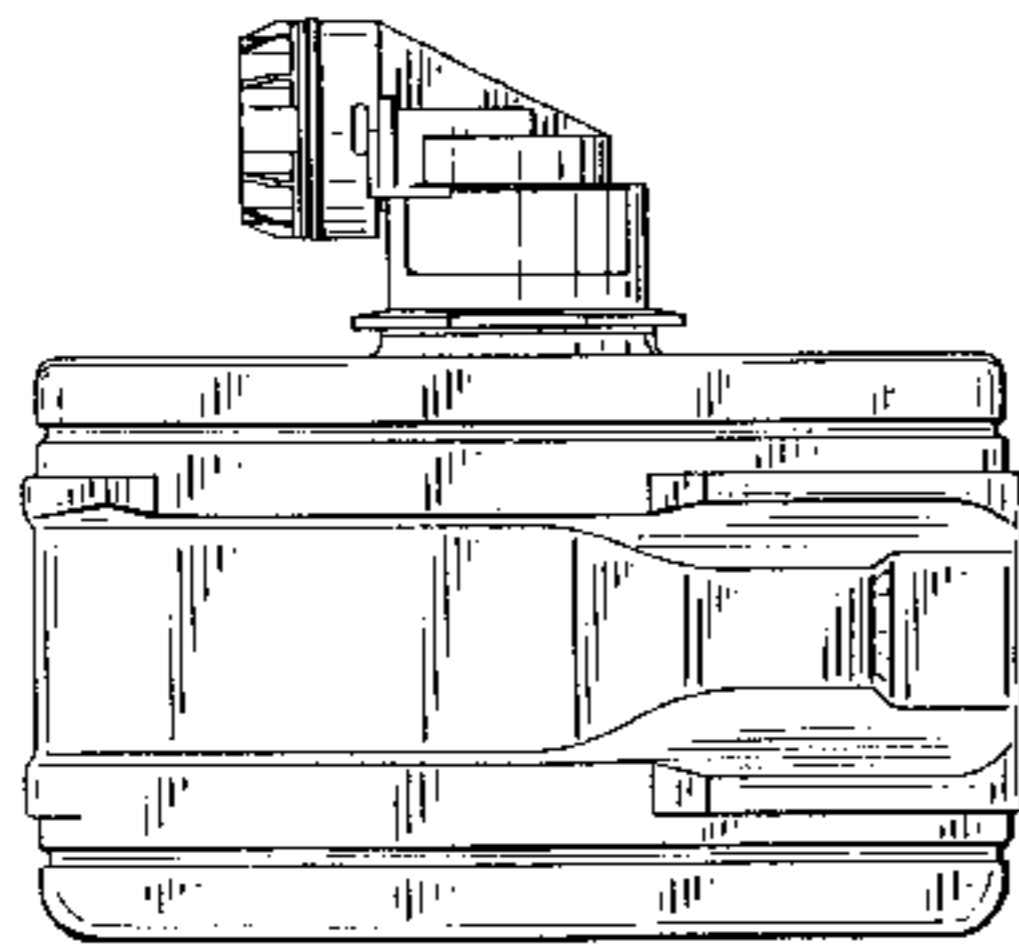
The broken lines showing the state in which the cap is put on the bottle in FIGS. 6 to 9 are for illustrative only and form no part of the claimed design.

(56) **References Cited**

U.S. PATENT DOCUMENTS

D200,357 S	*	2/1965	Groff	D9/543
D211,928 S	*	8/1968	Burnett	D9/523
D214,021 S	*	5/1969	Bacialli	D9/523
D269,948 S	*	8/1983	Janssen	D9/523
D271,113 S	*	10/1983	Birkeland et al.	D18/43
D286,376 S	*	10/1986	Bianco	D9/525
D289,976 S	*	5/1987	Humpries	D9/525
D337,947 S	*	8/1993	Lauter	D9/525
D343,093 S	*	1/1994	Sabin et al.	D7/612
D448,674 S	*	10/2001	Mooney	D9/540

1 Claim, 5 Drawing Sheets



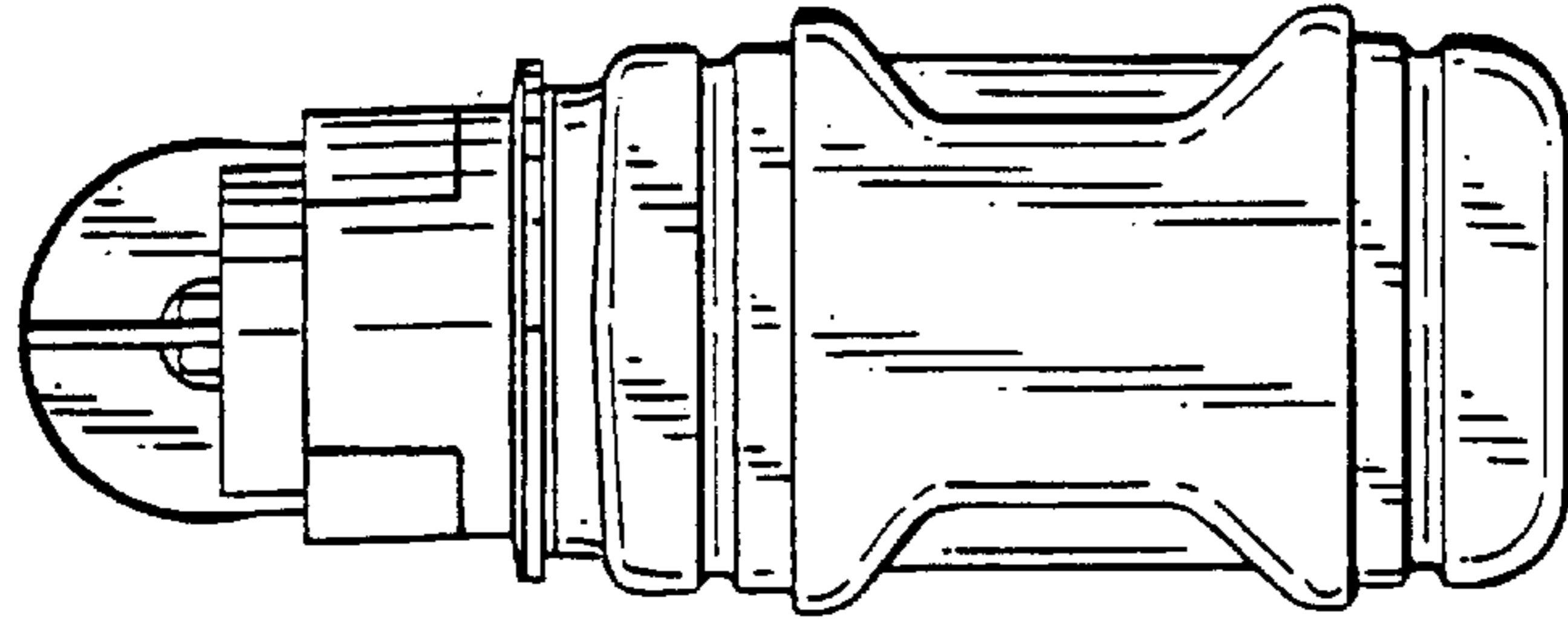


FIG. 3

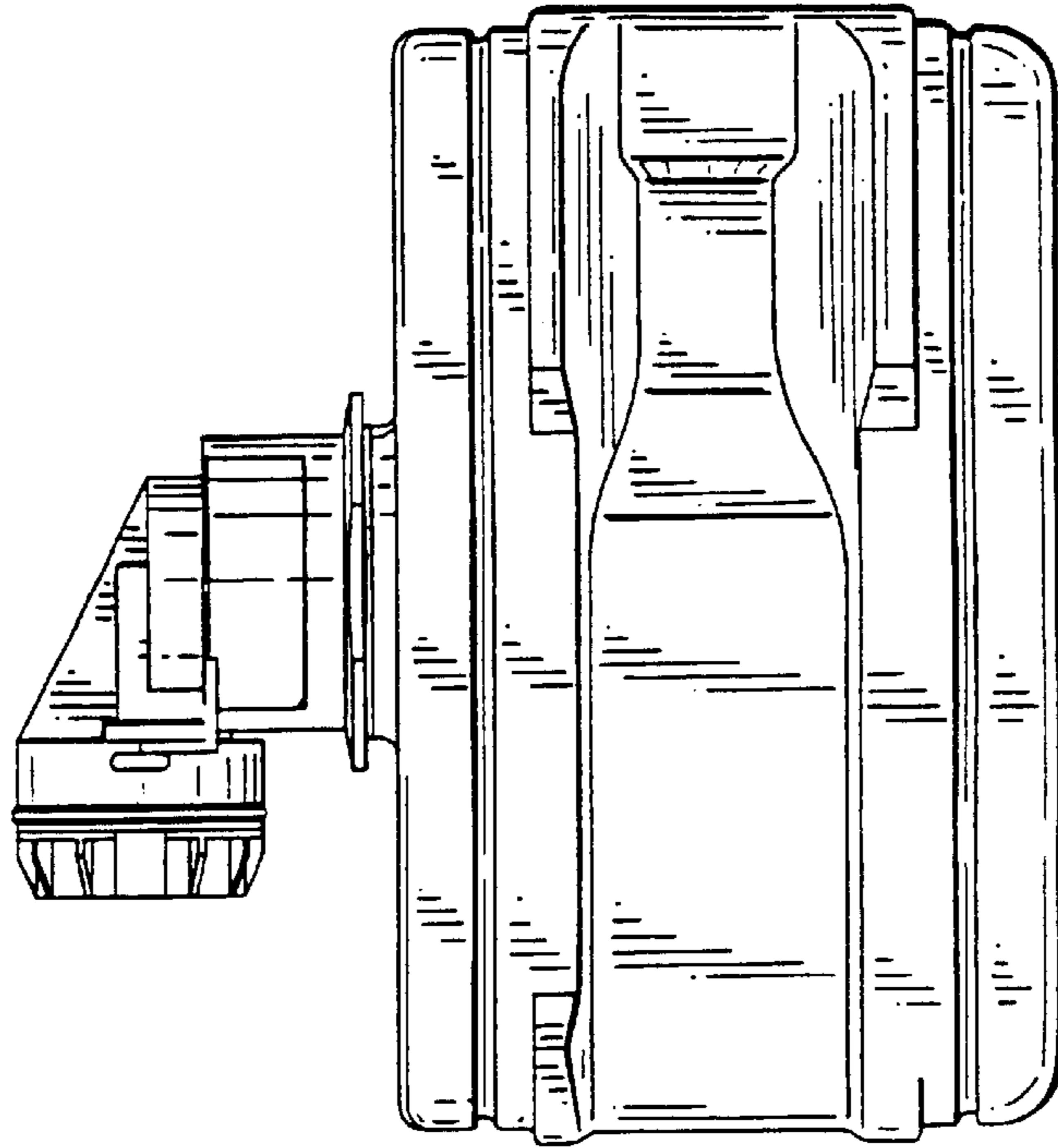


FIG. 1

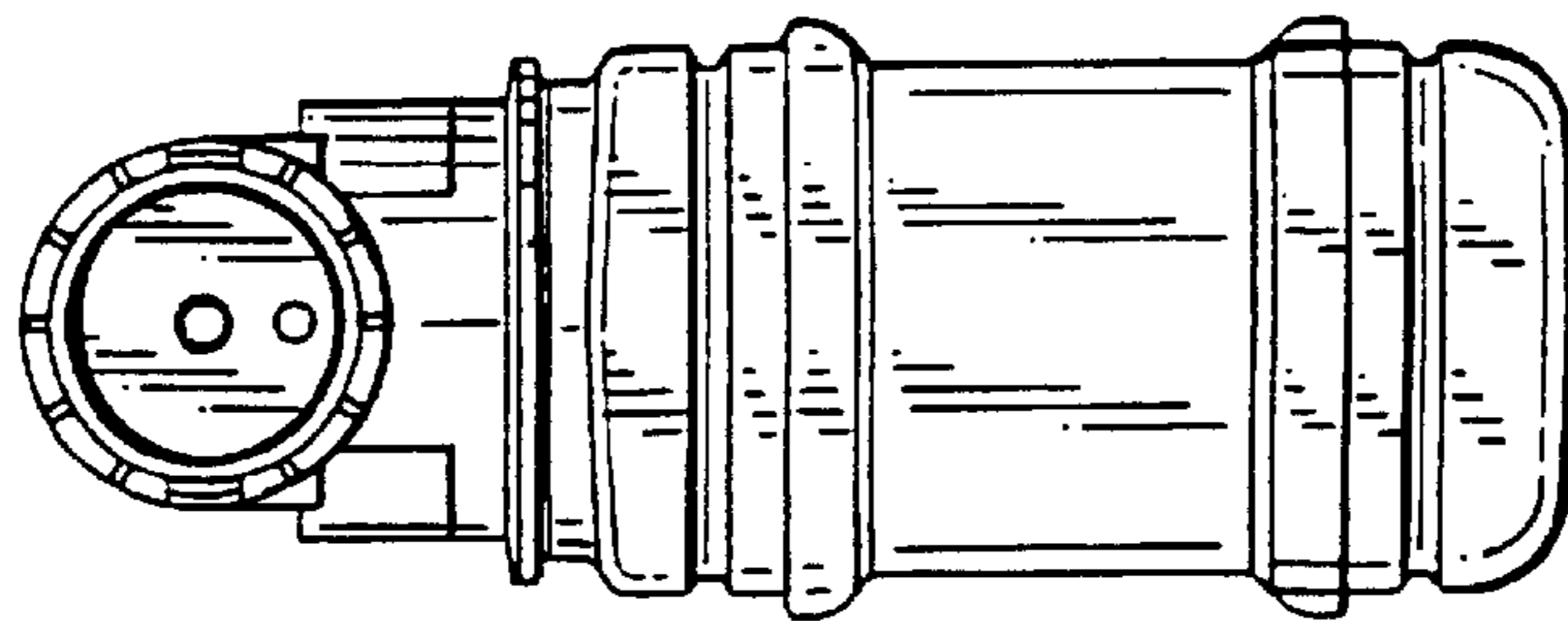


FIG. 2

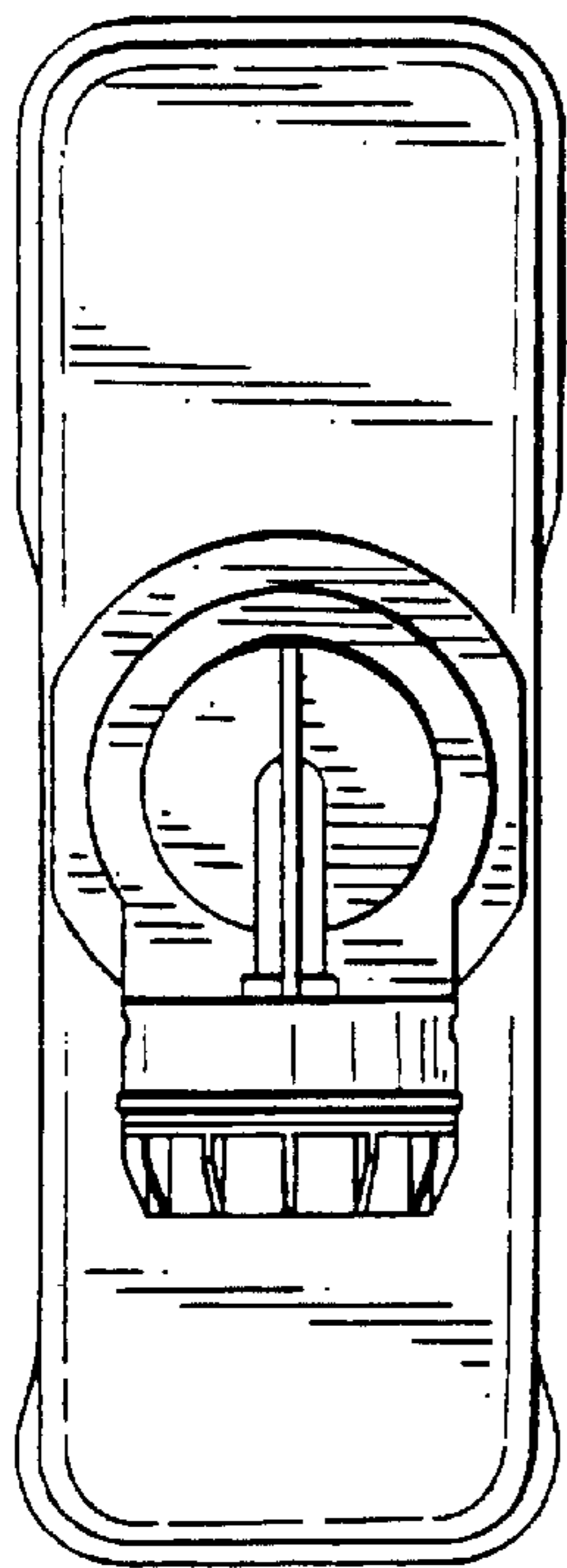


FIG. 4

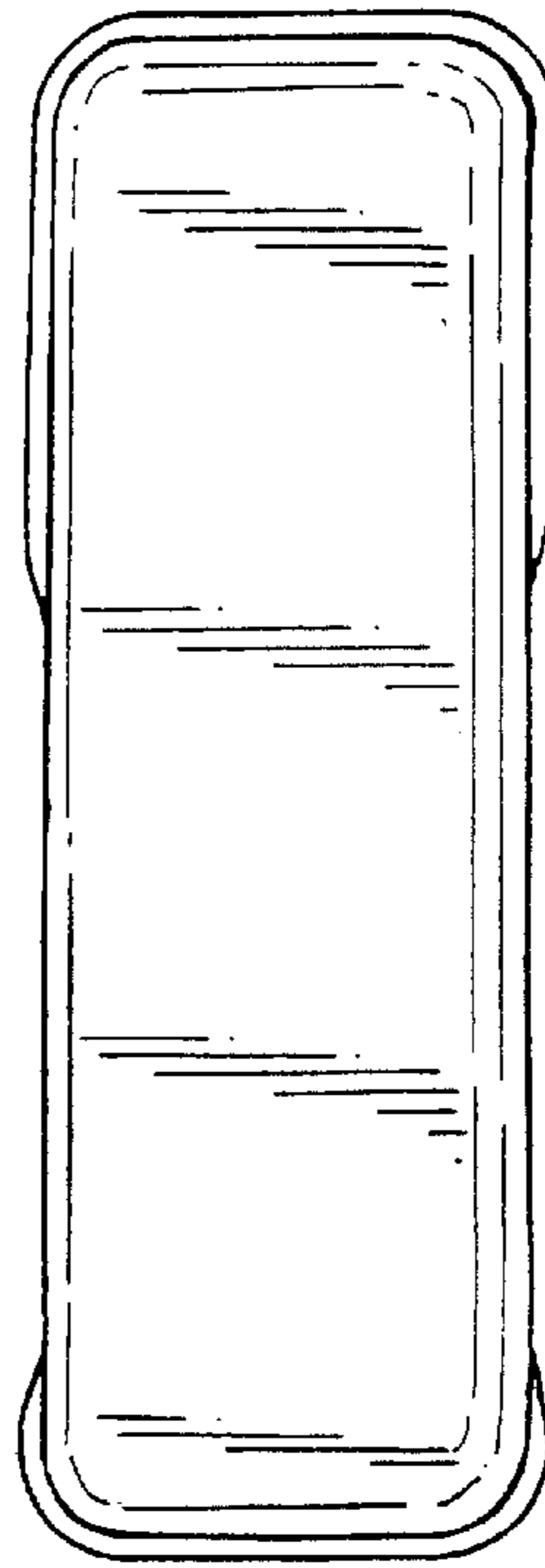


FIG. 5

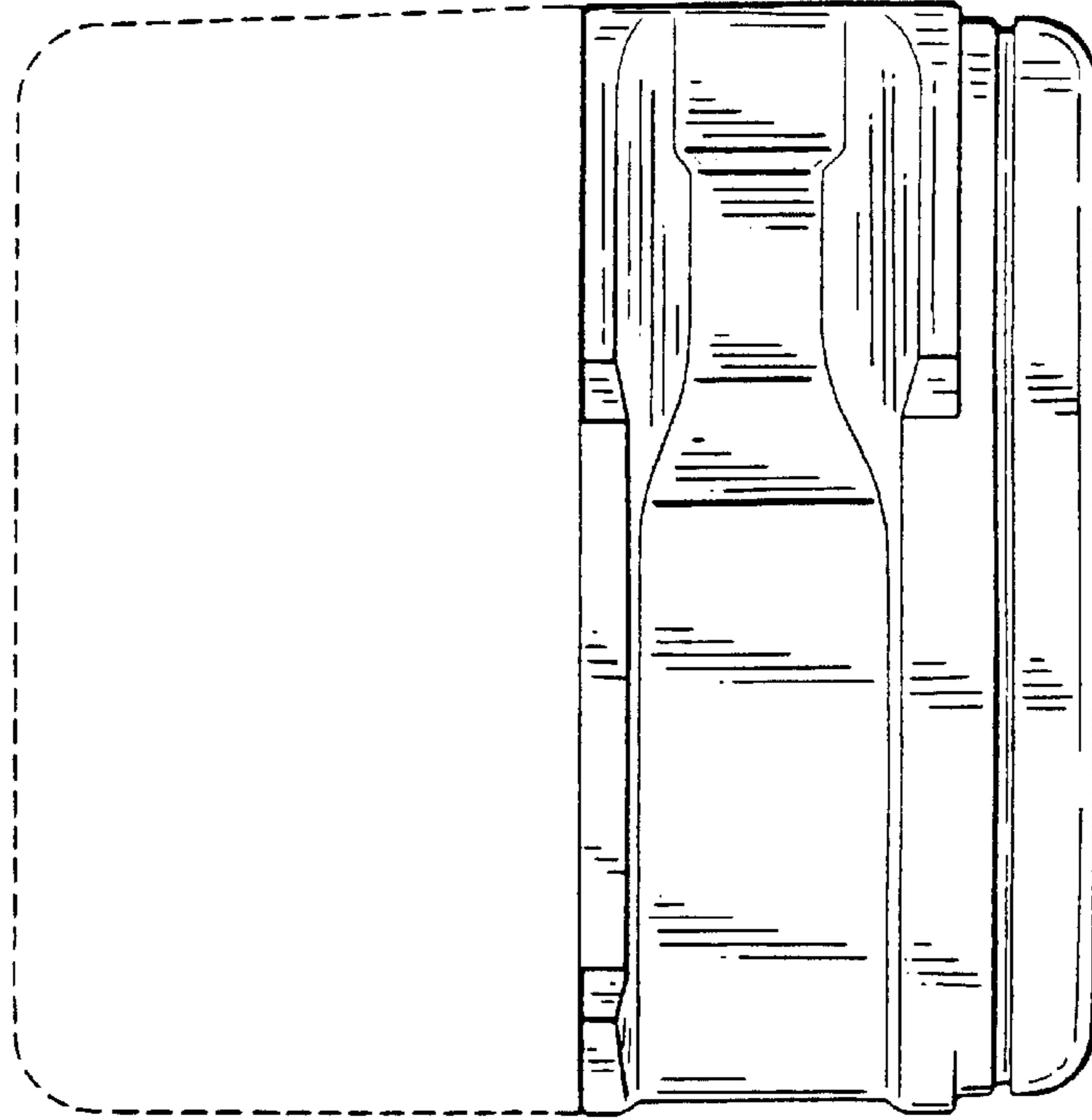


FIG. 6

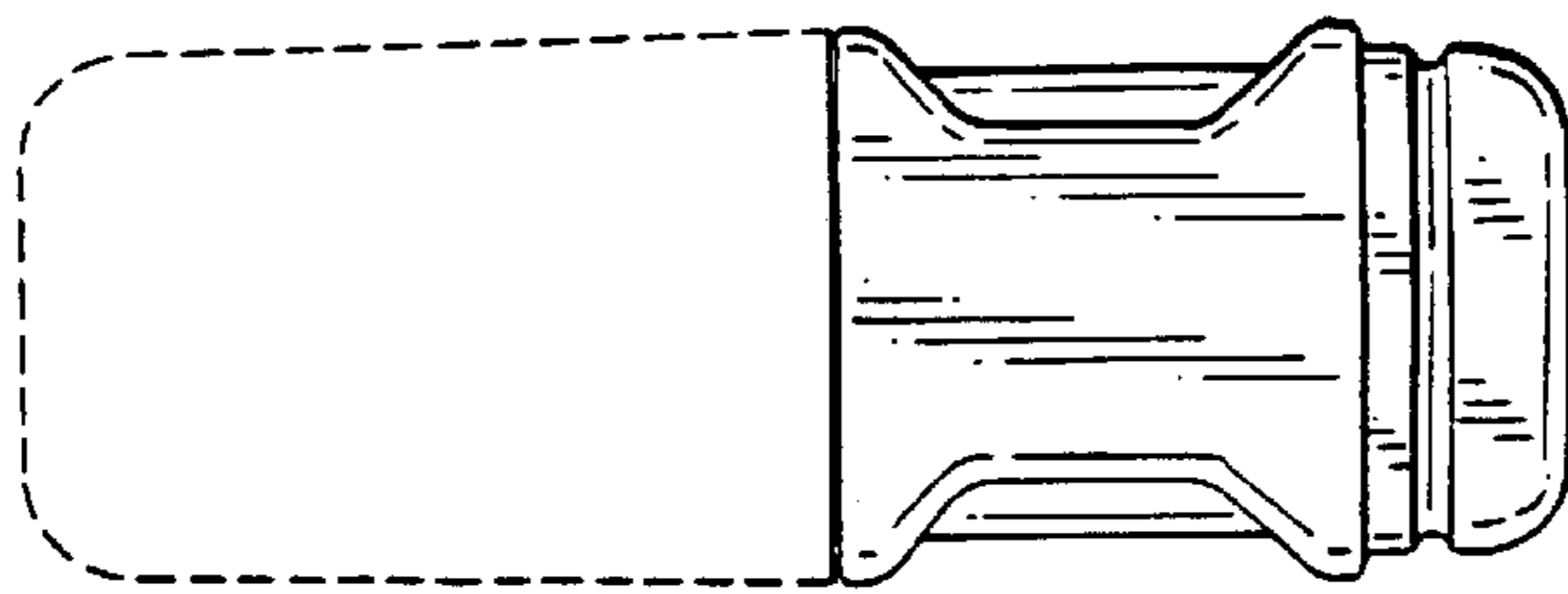


FIG. 7

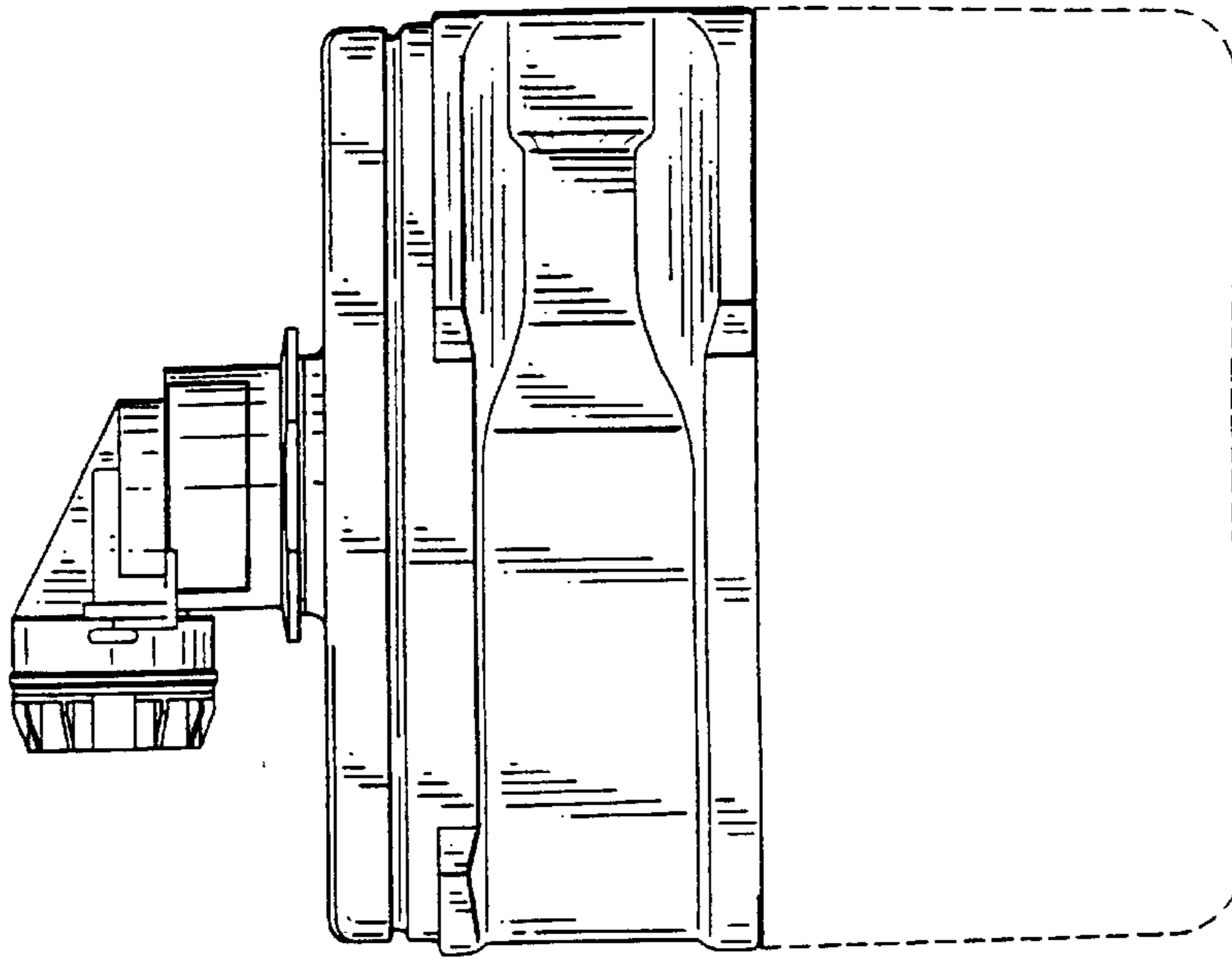


FIG. 8

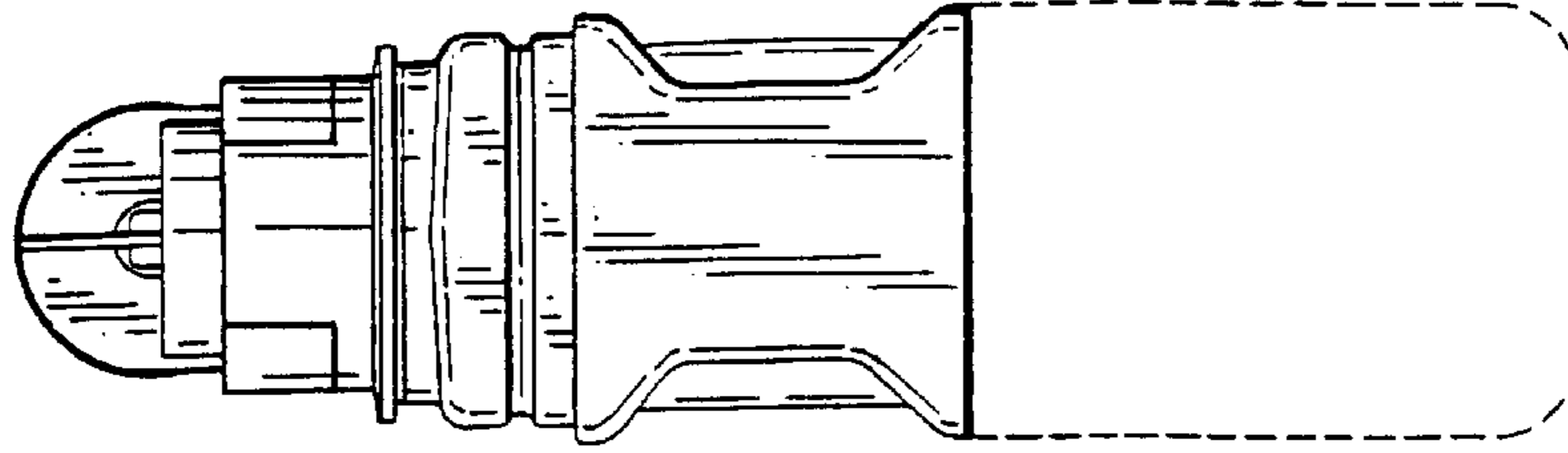


FIG. 9

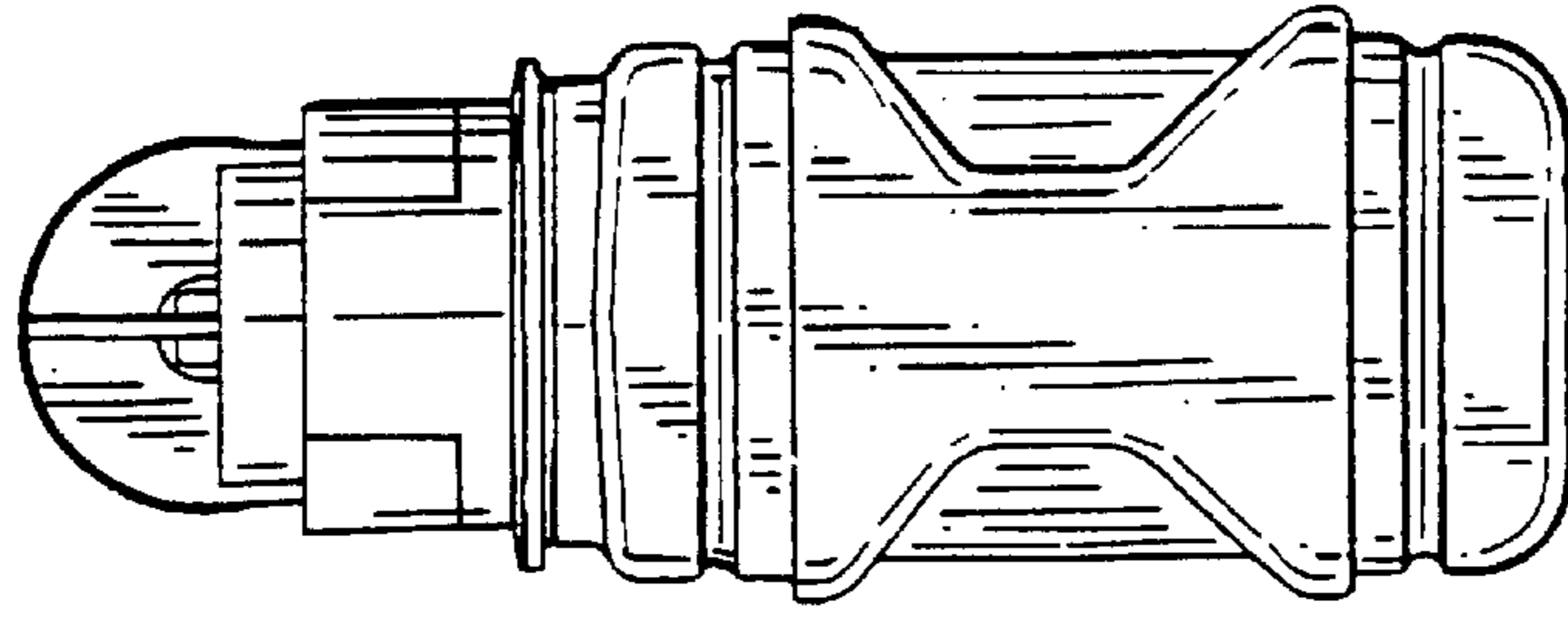


FIG. 11

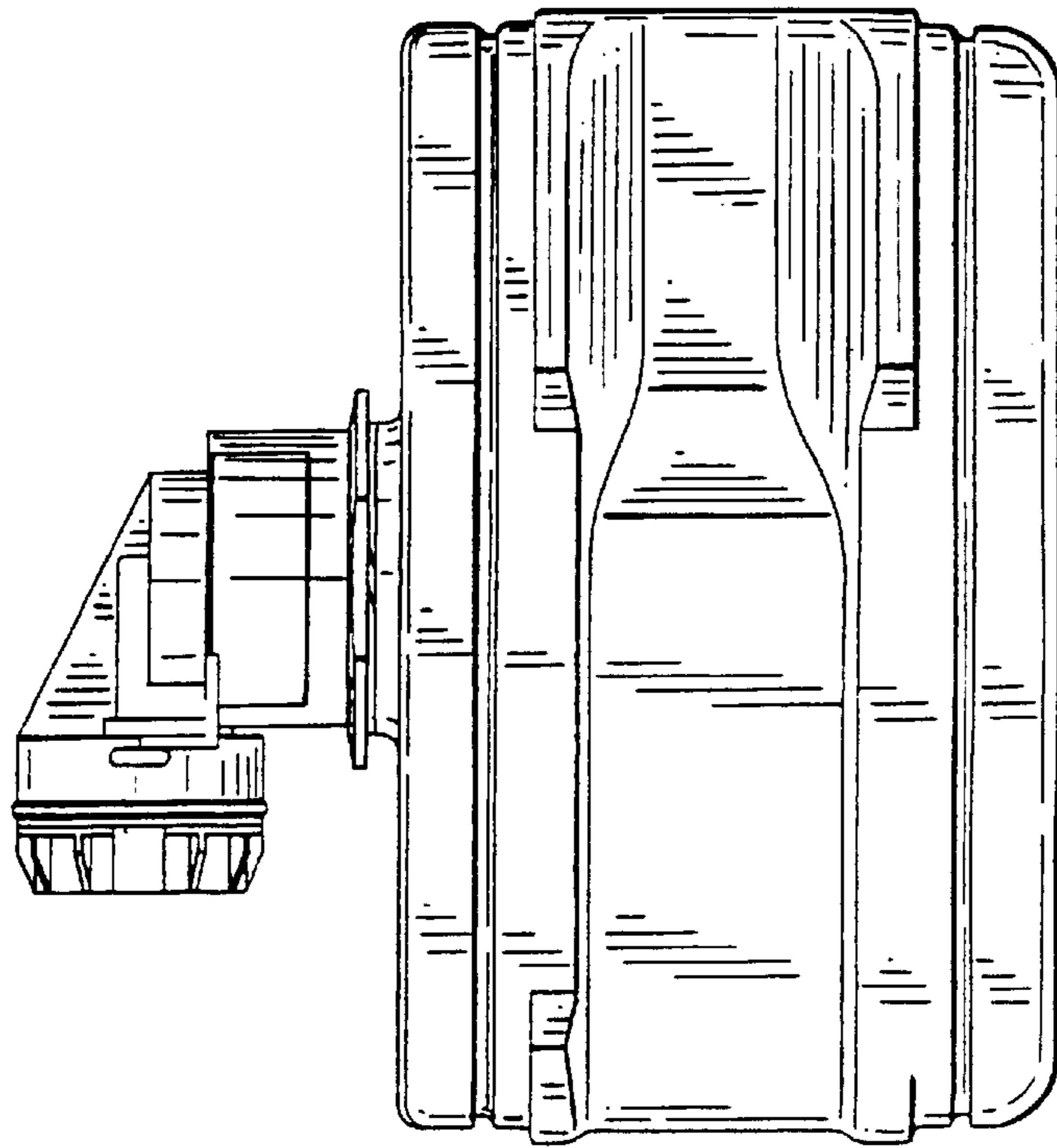


FIG. 10

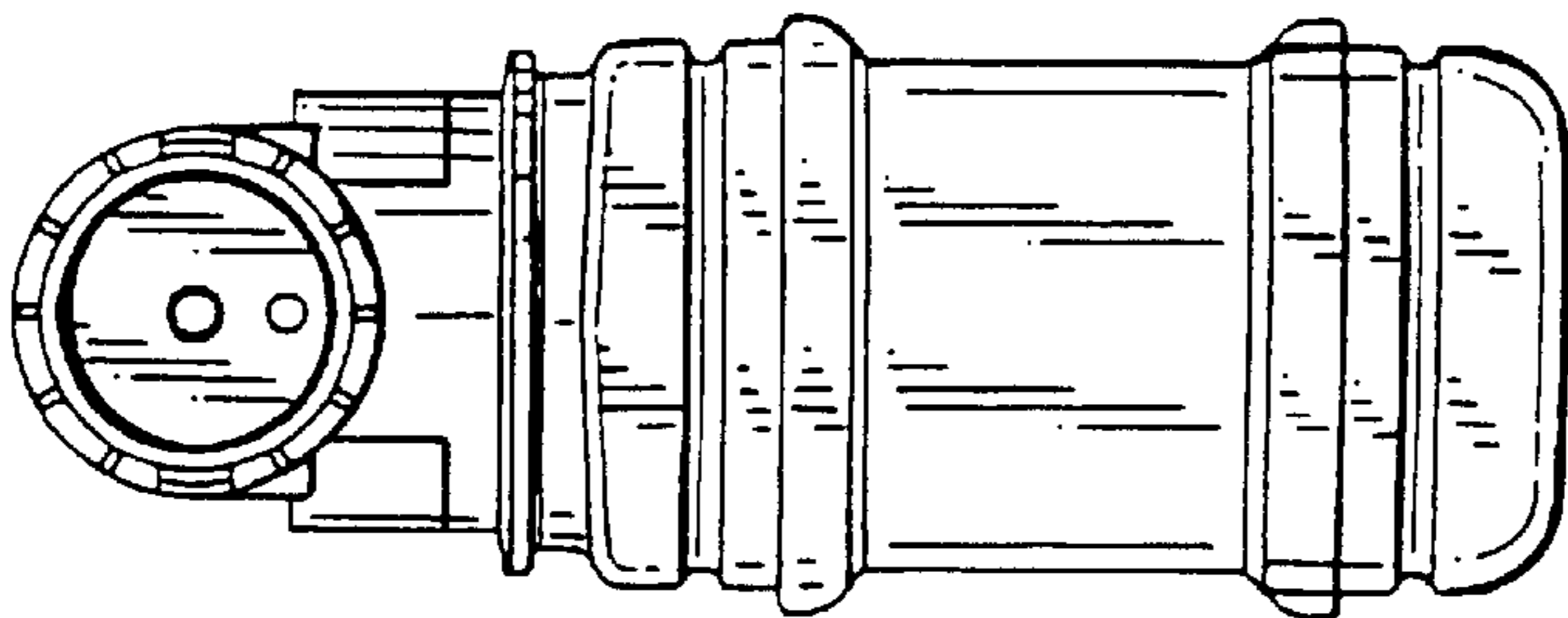


FIG. 12

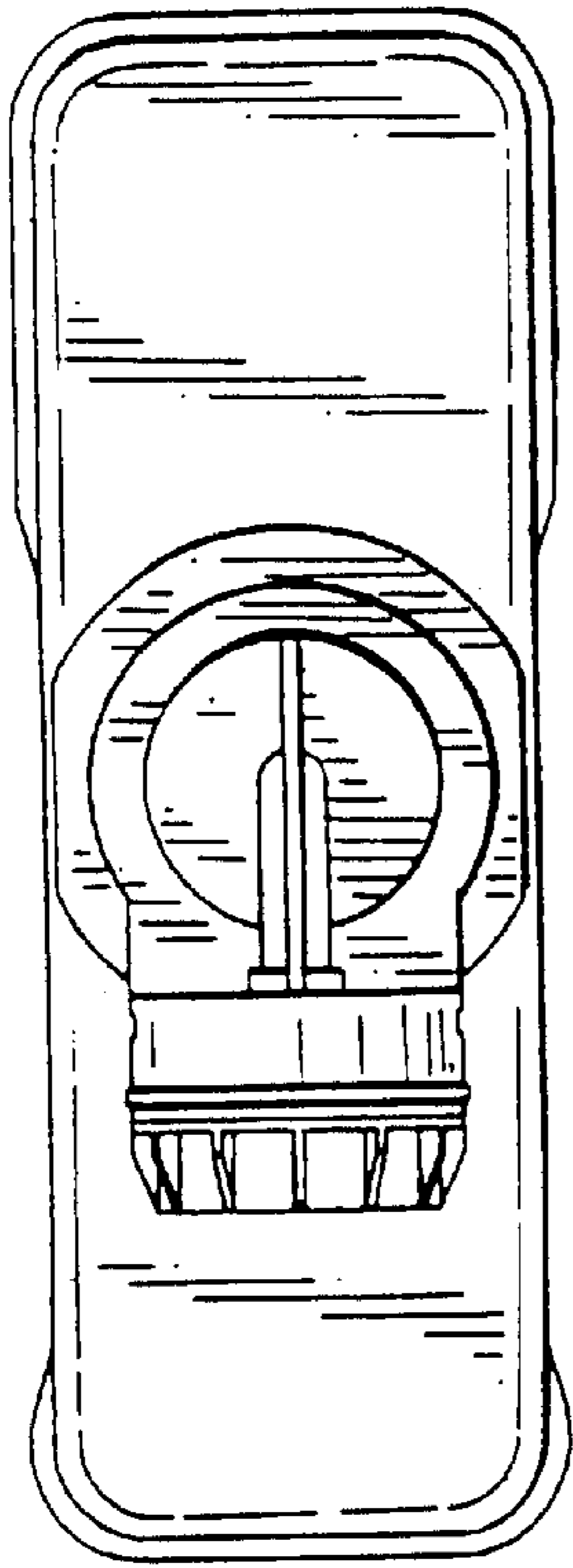


FIG. 13

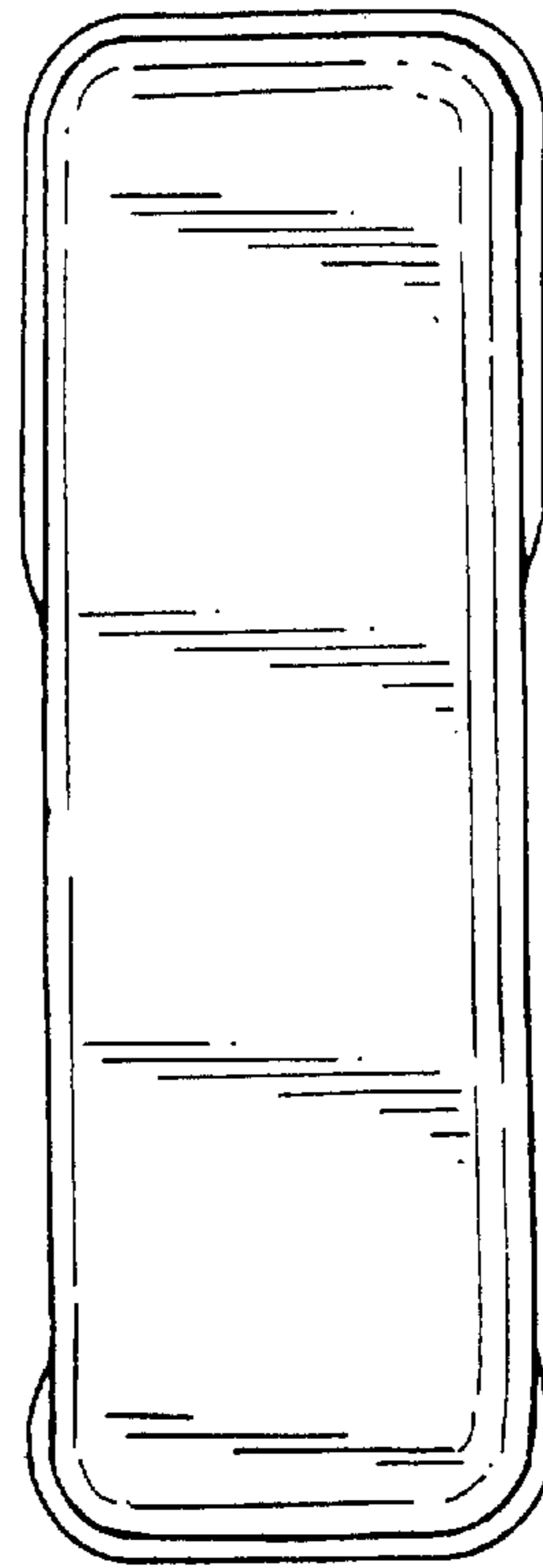


FIG. 14