



US00D485855S

(12) **United States Design Patent**
Overthun

(10) **Patent No.:** **US D485,855 S**

(45) **Date of Patent:** **** Jan. 27, 2004**

(54) **ACTIVE-WEAR EYEGLASSES**

(75) **Inventor:** **Thomas Overthun**, San Francisco, CA
(US)

(73) **Assignee:** **Eastman Chemical Company**,
Kingsport, TN (US)

(**) **Term:** **14 Years**

(21) **Appl. No.:** **29/177,961**

(22) **Filed:** **Mar. 20, 2003**

(51) **LOC (7) Cl.** **16-06**

(52) **U.S. Cl.** **D16/313; D16/335; D16/306;**
D16/300

(58) **Field of Search** D16/101, 300-330,
D16/335, 336; D14/189, 192, 372; D29/109,
110; D24/110.2; 351/41, 44, 51, 52, 158,
111; 2/426, 447, 448

(56) **References Cited**

U.S. PATENT DOCUMENTS

- D228,683 S * 10/1973 Brom D16/313
- D242,666 S * 12/1976 Smith D16/312
- D310,839 S * 9/1990 Bolle D16/313

- D339,363 S * 9/1993 Lerner D16/312
- D342,080 S * 12/1993 Cargle D16/309
- D352,300 S * 11/1994 Gales D16/309
- D426,846 S * 6/2000 Jung D16/306
- D435,857 S * 1/2001 Yang D16/313
- D462,708 S * 9/2002 Miller et al. D16/309

* cited by examiner

Primary Examiner—Raphael Barkai

(74) *Attorney, Agent, or Firm*—Arent Fox Kintner Plotkin
& Kahn, PLLC

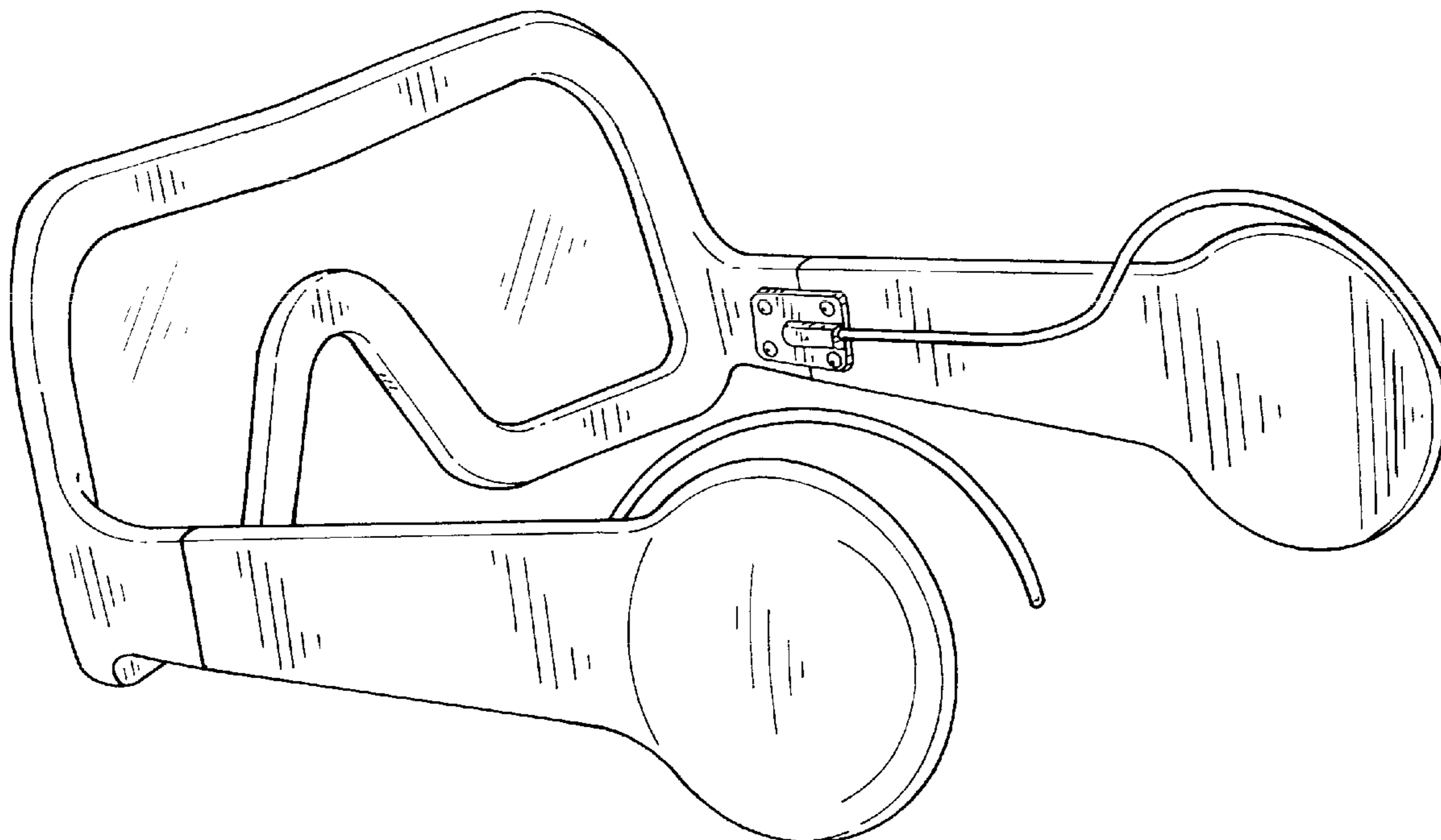
(57) **CLAIM**

The ornamental design for active-wear eyeglasses, as shown
and described in FIGS. 1-6.

DESCRIPTION

FIG. 1 is a perspective view of active-wear eyeglasses
showing my new design;
FIG. 2 is a front view thereof;
FIG. 3 is a rear view thereof;
FIG. 4 is a left side view, wherein the right side is identical
or a mirror image thereof;
FIG. 5 is a top view thereof; and,
FIG. 6 is a bottom view thereof.

1 Claim, 3 Drawing Sheets



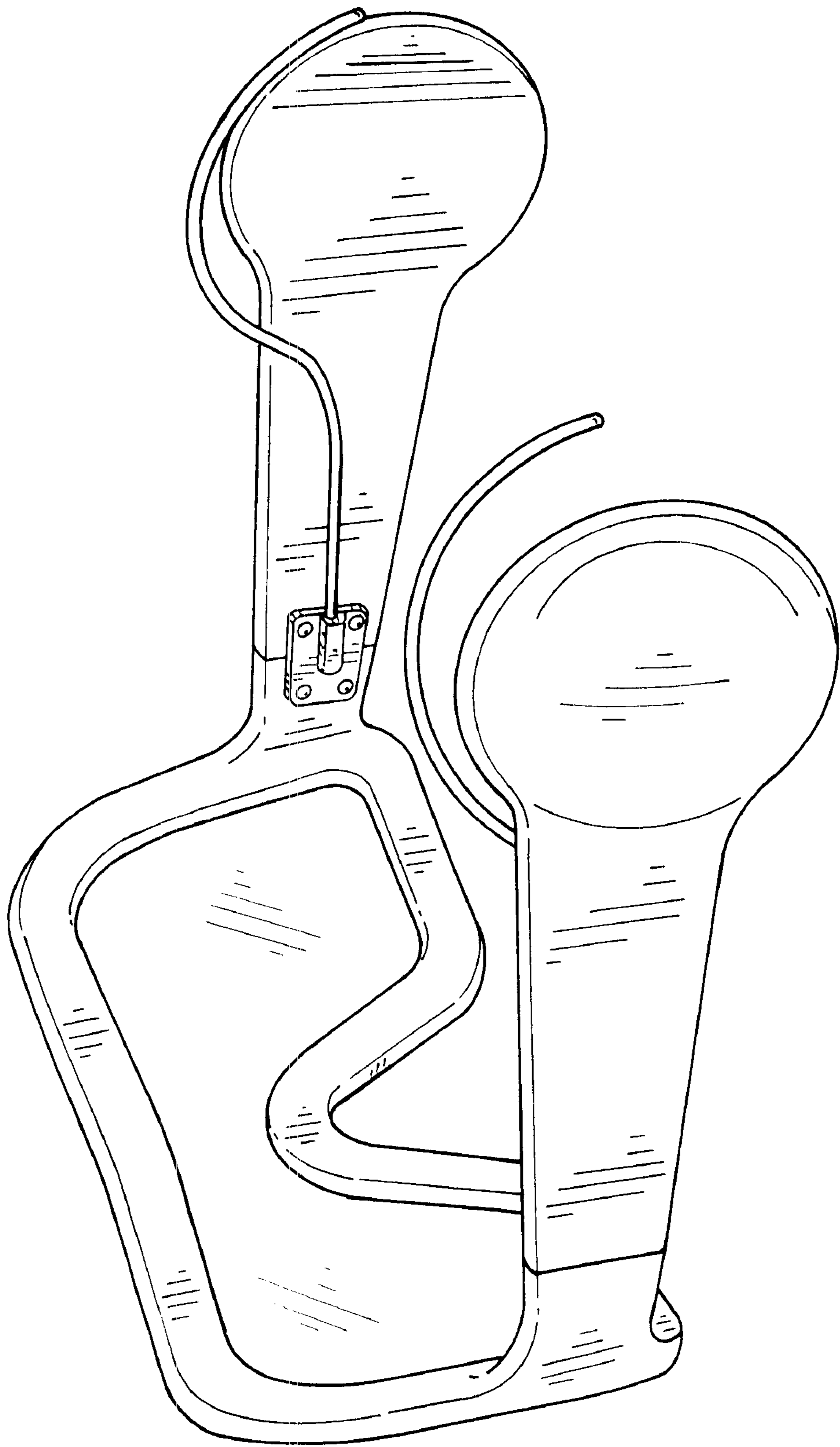


FIG. 1

FIG.2

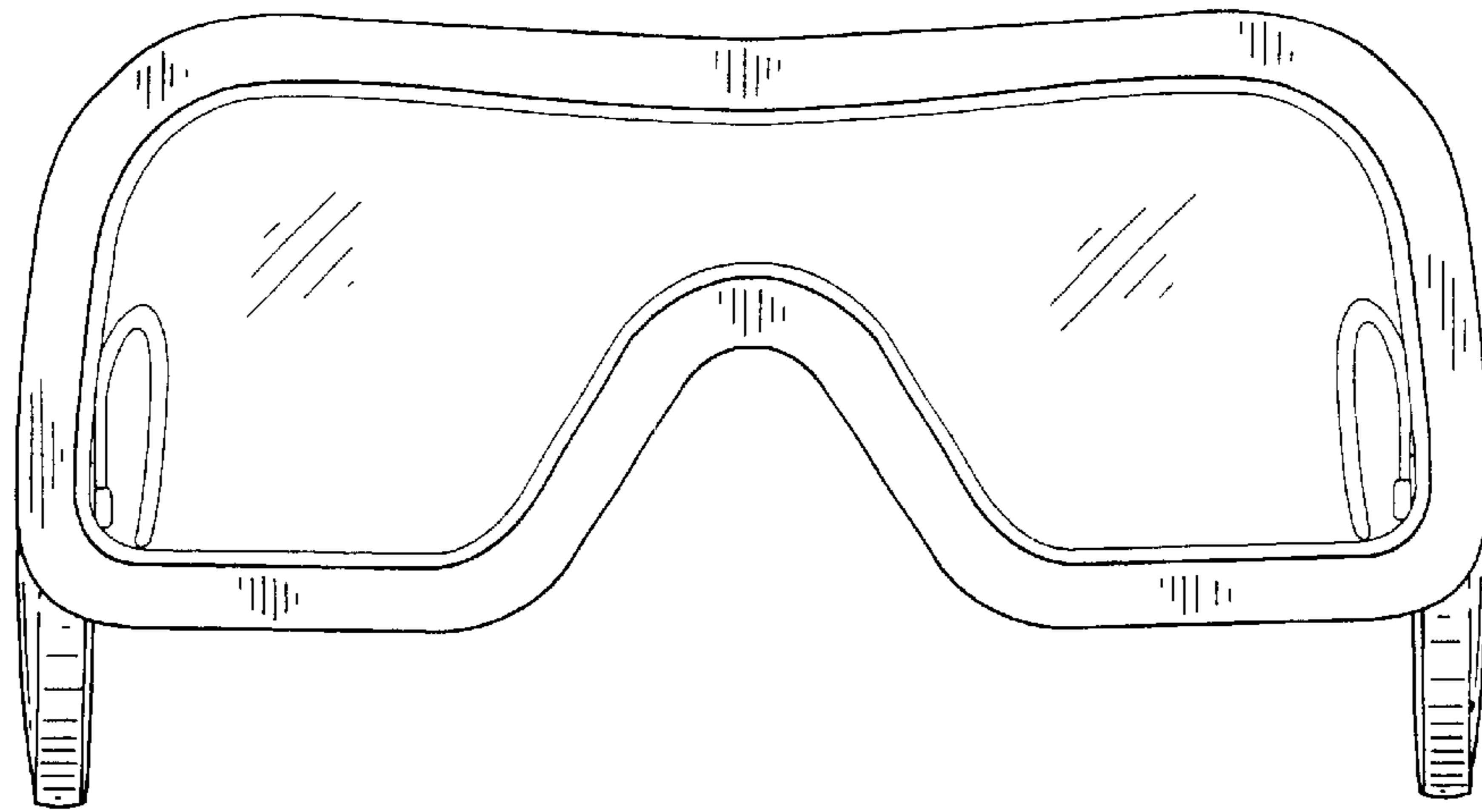


FIG.3

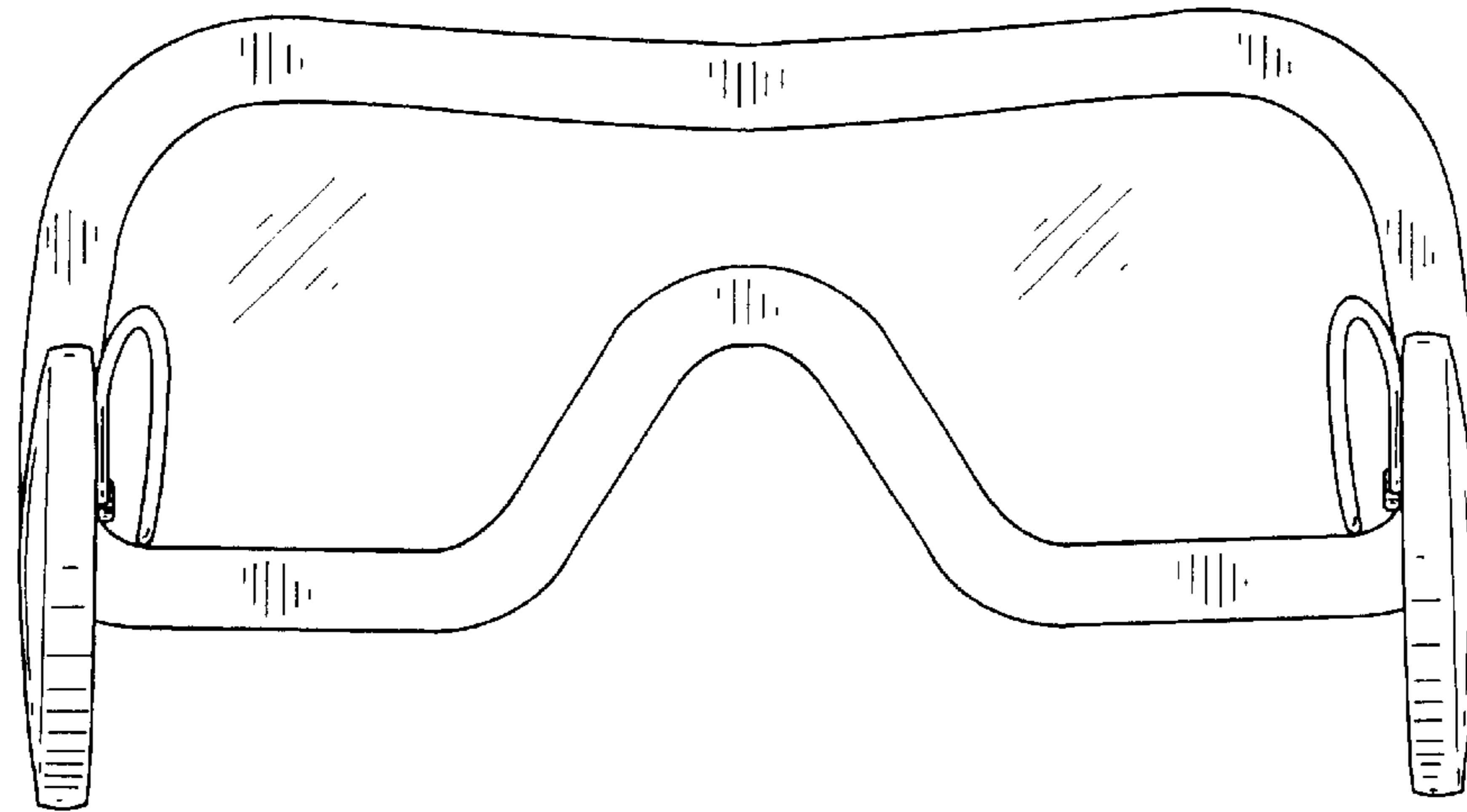


FIG.4

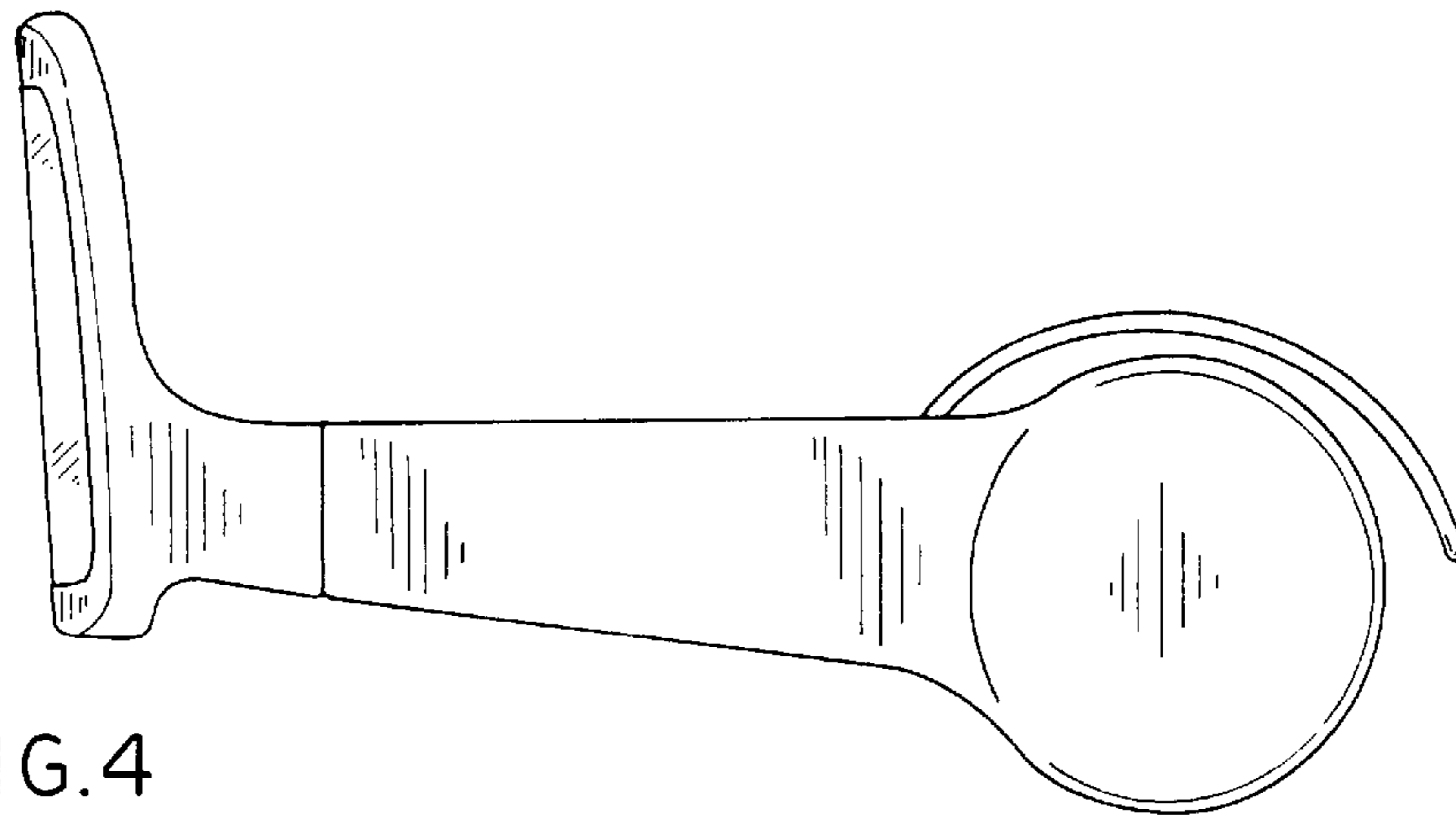


FIG.5

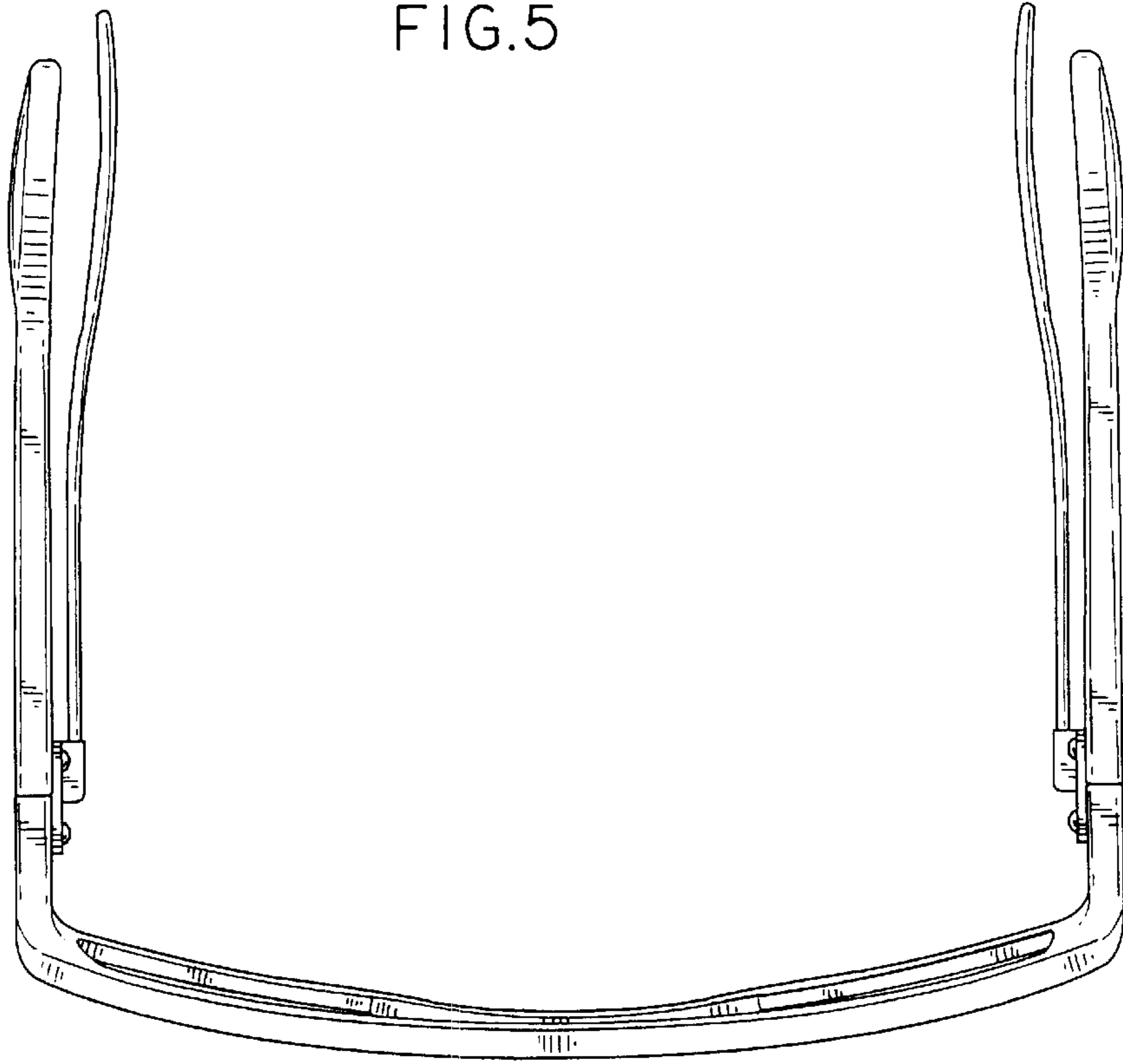


FIG.6

