



US00D485853S

(12) **United States Design Patent**
Daniels

(10) **Patent No.:** **US D485,853 S**

(45) **Date of Patent:** **** Jan. 27, 2004**

(54) **BABY MONITORING CAMERA**

(75) **Inventor:** **Wilfried Johan Paul Ferdinand Daniels, Sint Truiden (BE)**

(73) **Assignee:** **Koninklijke Philips Electronics N.V., Eindhoven (NL)**

(**) **Term:** **14 Years**

(21) **Appl. No.:** **29/181,582**

(22) **Filed:** **May 13, 2003**

(30) **Foreign Application Priority Data**

Nov. 13, 2002 (WO) DMA/005 882

(51) **LOC (7) Cl.** **16-01**

(52) **U.S. Cl.** **D16/203**

(58) **Field of Search** D16/200-205,
D16/208, 218; 348/143, 151, 373-376;
396/19, 427

(56) **References Cited**

U.S. PATENT DOCUMENTS

D179,803 S * 3/1957 Gillette D16/202

5,287,133 A * 2/1994 Bohley 396/19
D349,911 S * 8/1994 Shimizu et al. D16/203
D378,095 S * 2/1997 Hasegawa D16/203
D395,056 S * 6/1998 Delaey D16/203
D428,618 S * 7/2000 McBride D16/203
D430,888 S * 9/2000 Adachi et al. D16/203

* cited by examiner

Primary Examiner—Adir Aronovich

(74) *Attorney, Agent, or Firm*—Ernestine C. Bartlett

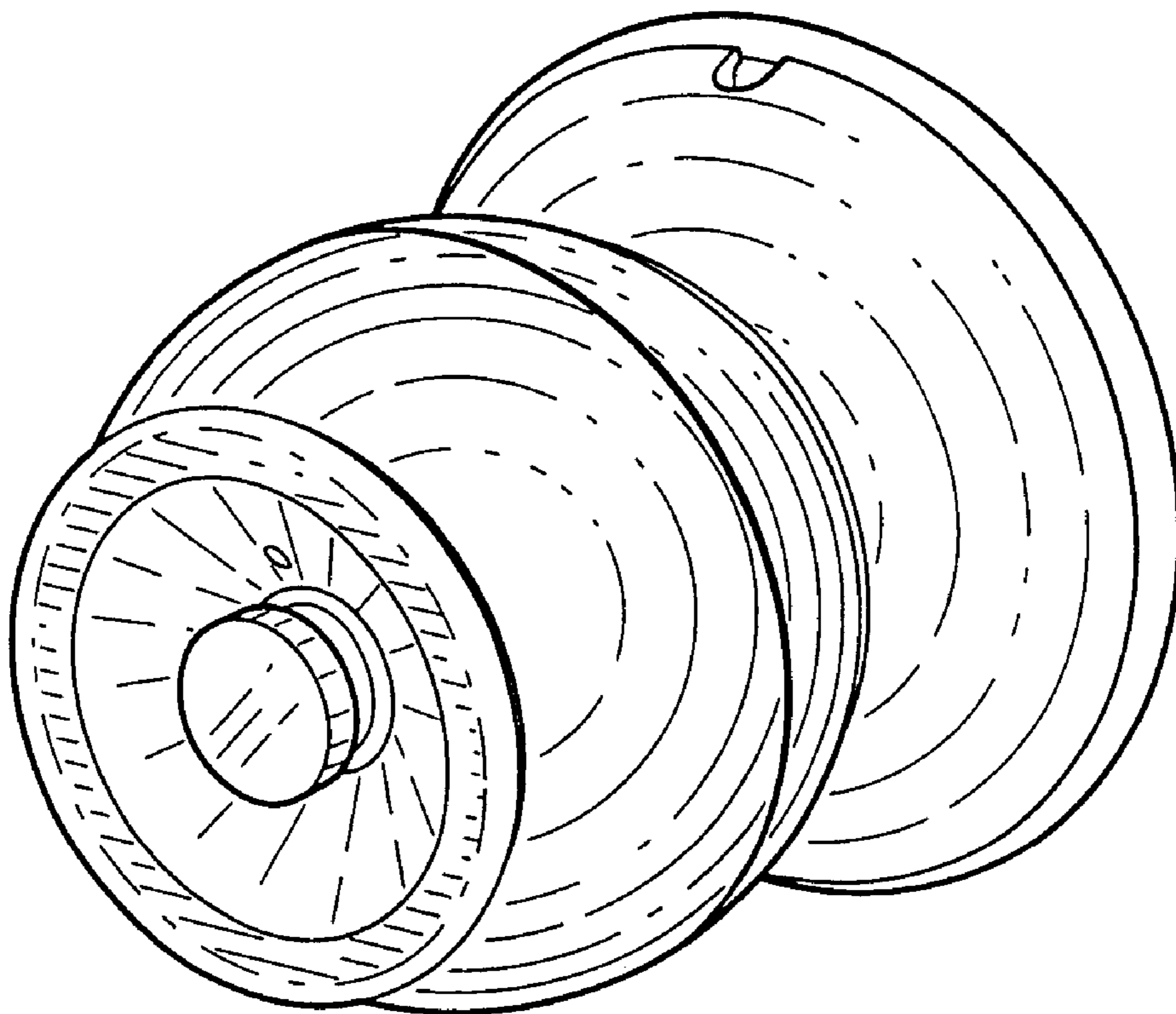
(57) **CLAIM**

The ornamental design for a baby monitoring camera, as shown.

DESCRIPTION

FIG. 1 is a perspective view showing my design;
FIG. 2 is a front elevational view thereof;
FIG. 3 is a rear elevational view thereof;
FIG. 4 is a left side elevational view thereof;
FIG. 5 is a right side elevational view thereof;
FIG. 6 is a top plan view thereof; and,
FIG. 7 is a bottom plan view thereof.

1 Claim, 4 Drawing Sheets



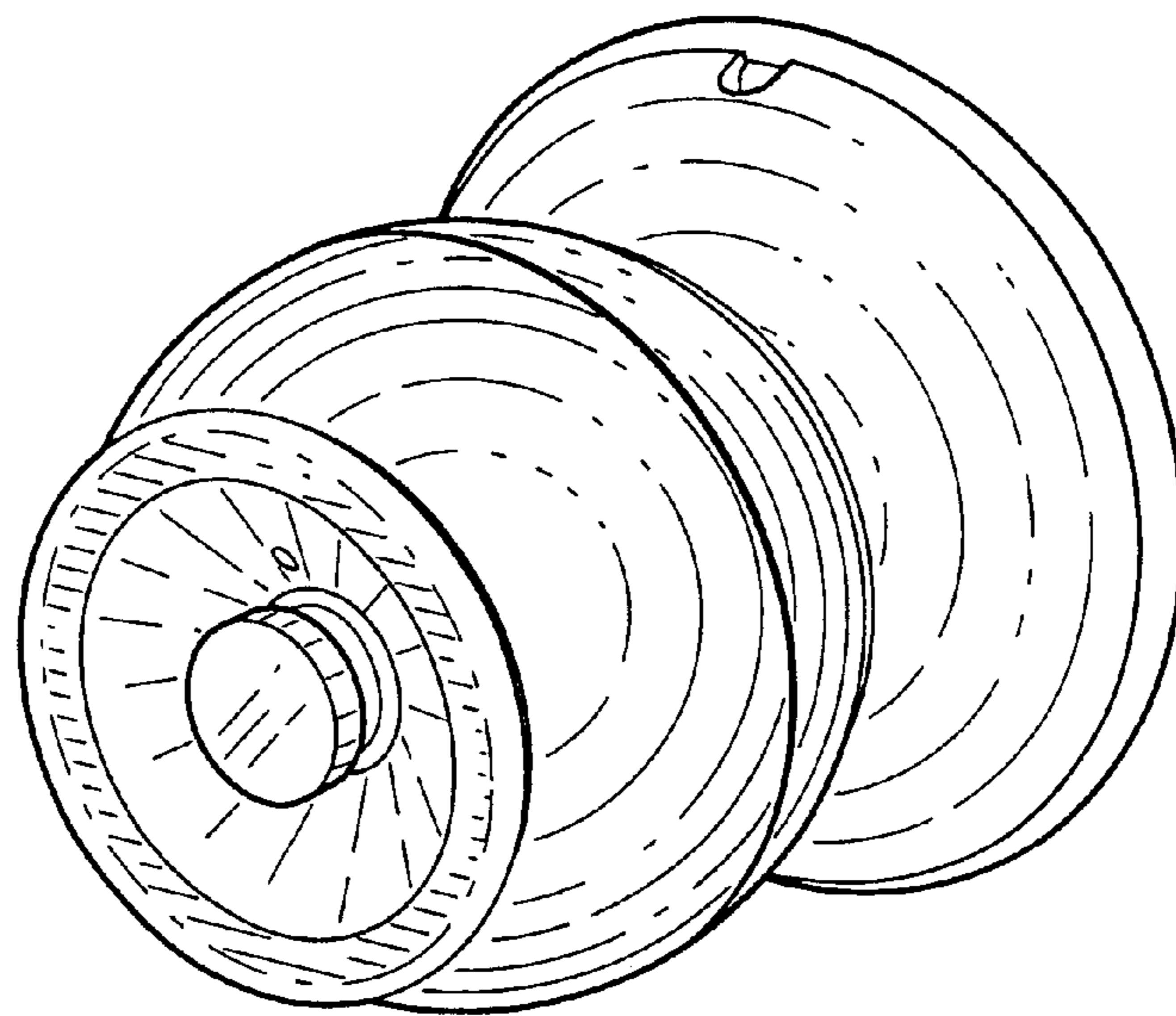


FIG. 1

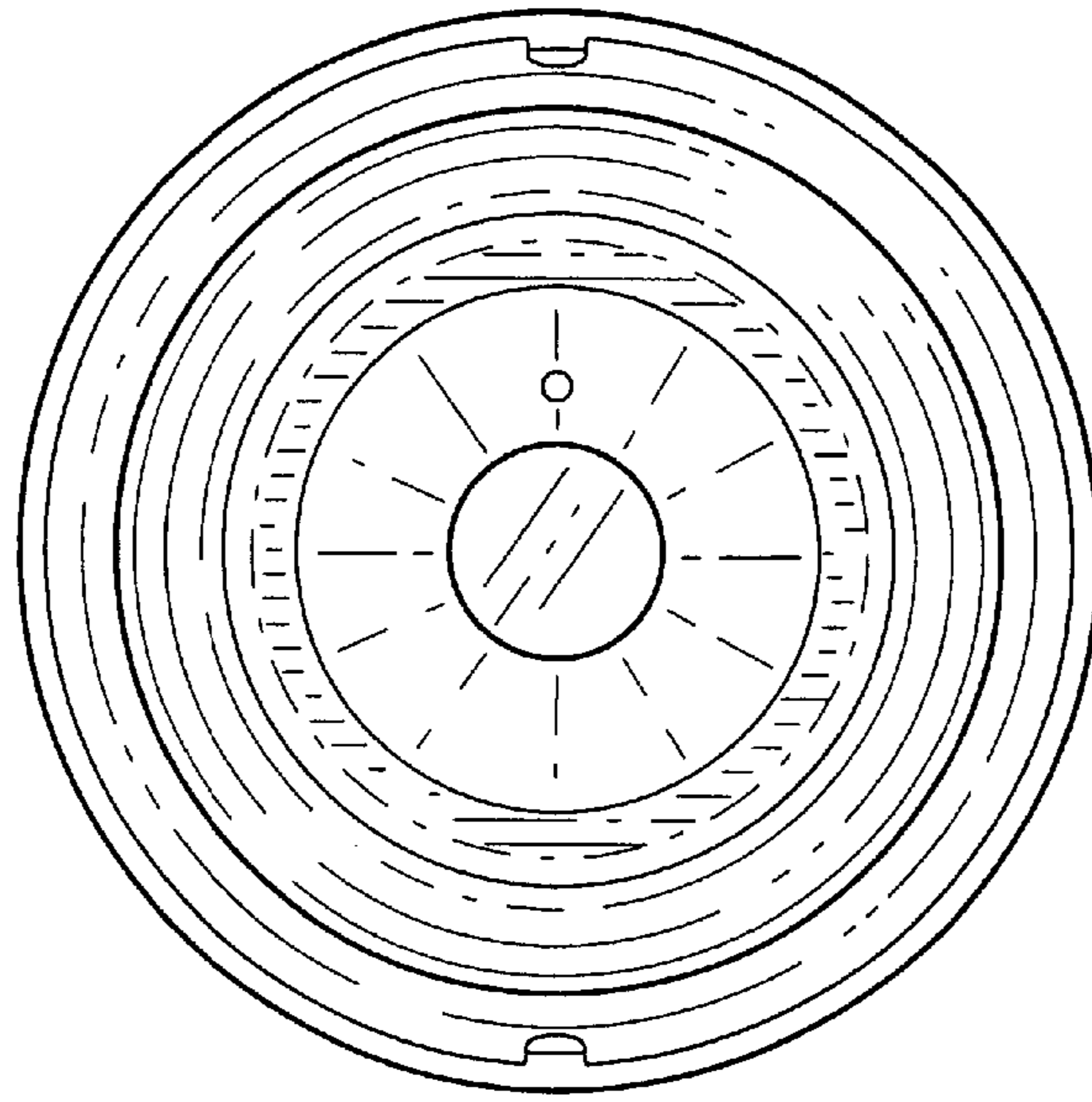


FIG. 2

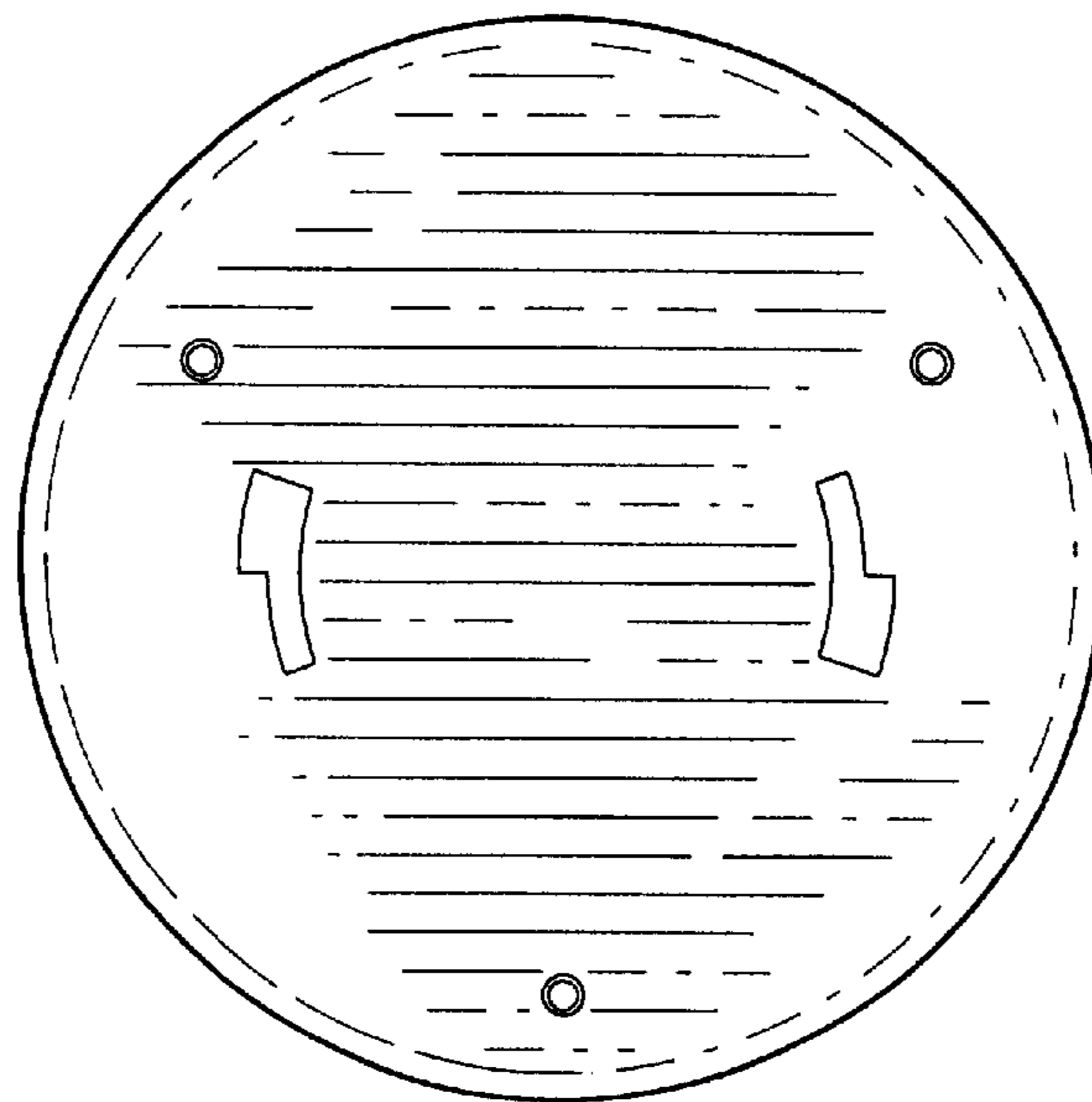


FIG. 3

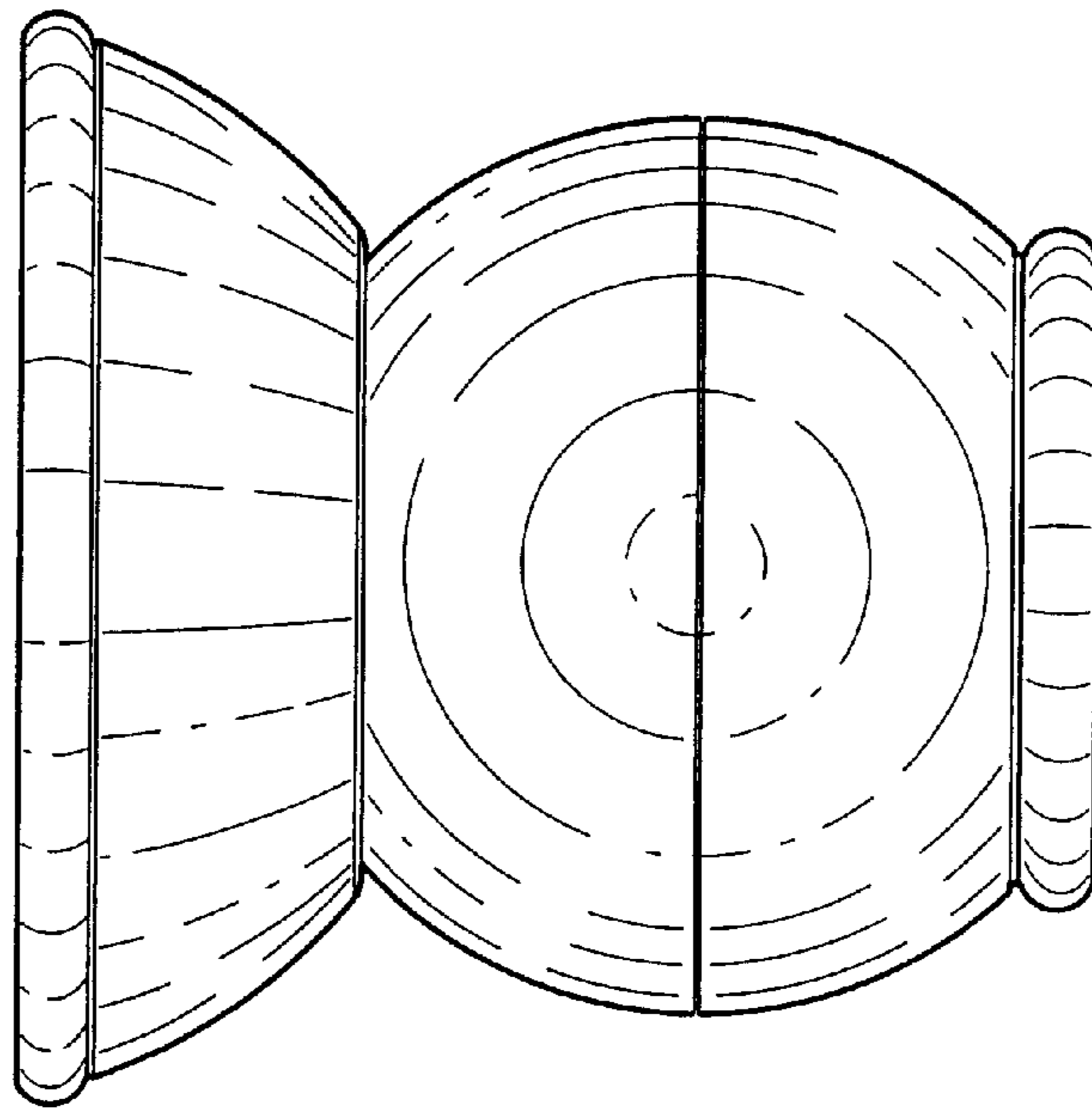


FIG. 4

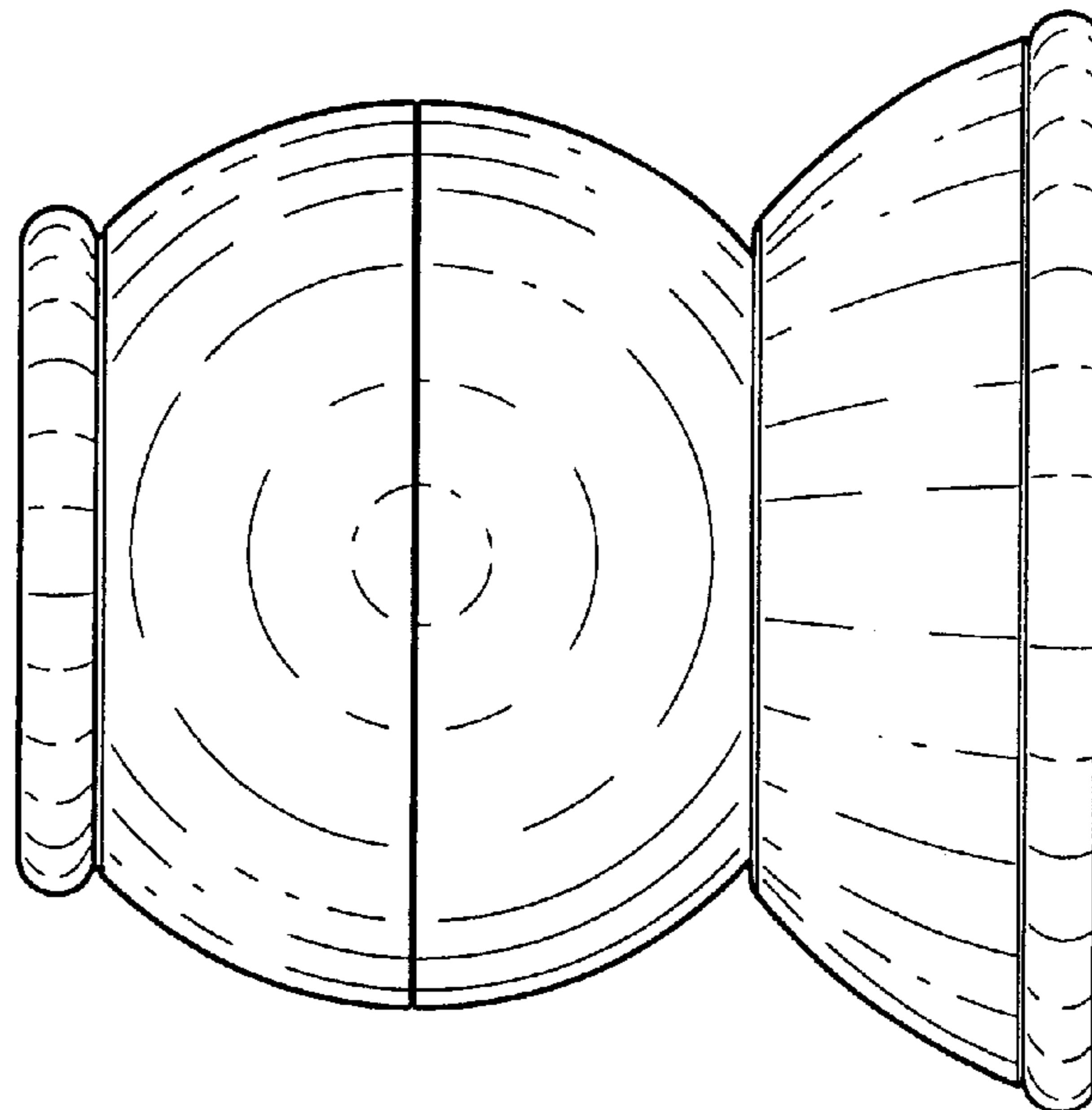


FIG. 5

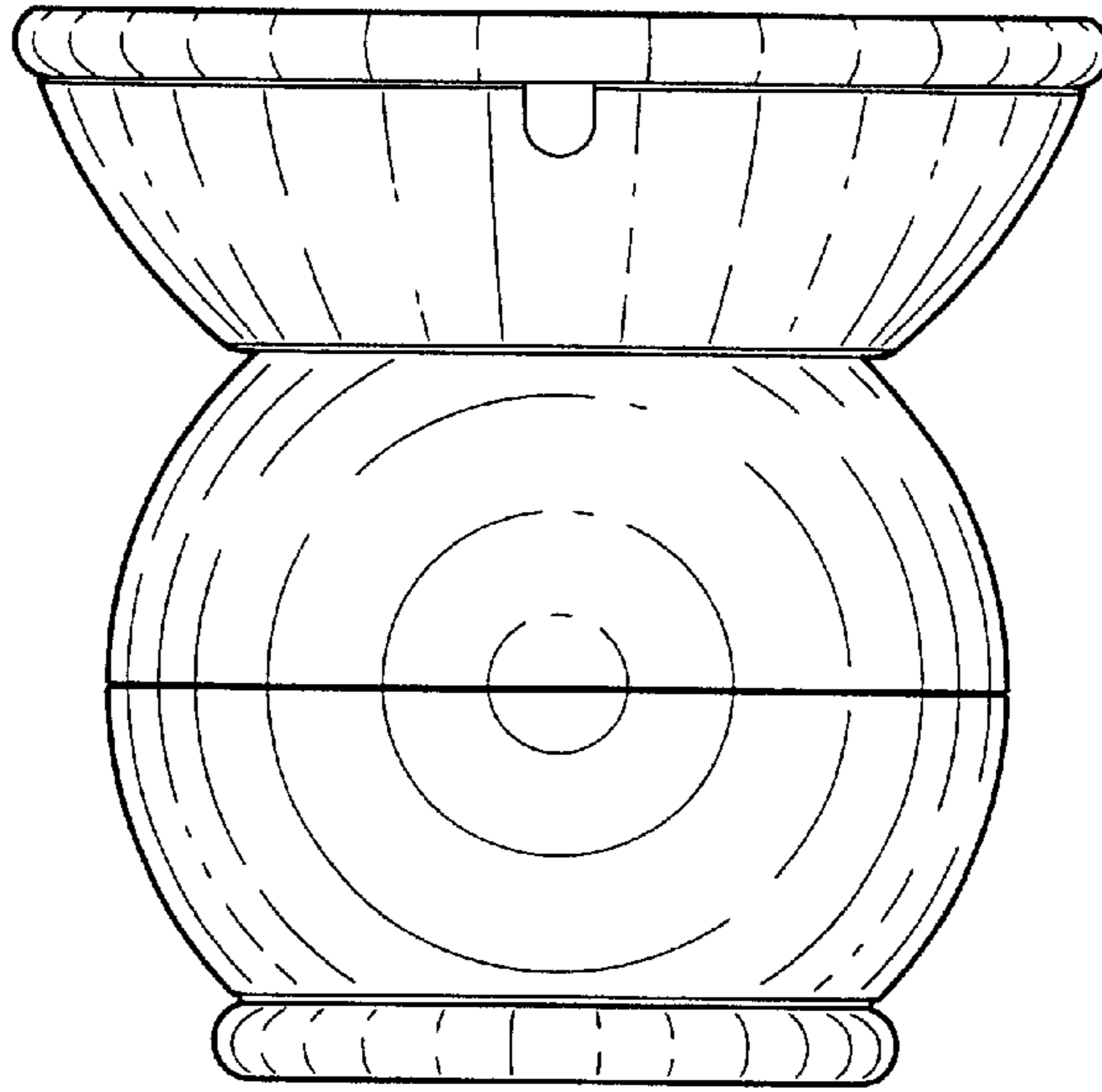


FIG. 6

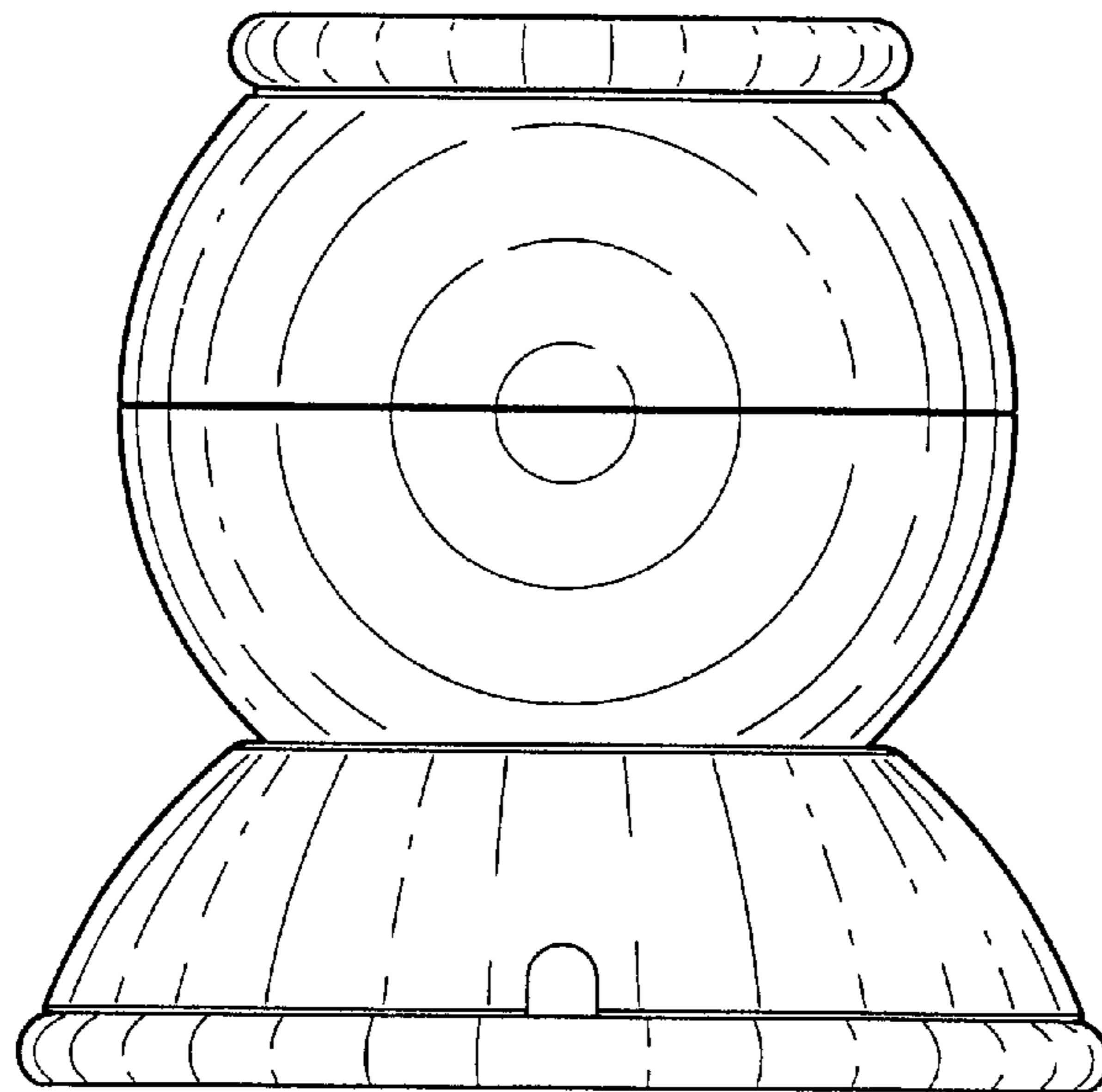


FIG. 7