



US00D485852S

(12) **United States Design Patent**
Arvidsson

(10) **Patent No.:** **US D485,852 S**

(45) **Date of Patent:** **** Jan. 27, 2004**

(54) **CUTTING INSERT FOR CHIP FORMING MACHINING**

(75) Inventor: **Peder Arvidsson, Gävle (SE)**

(73) Assignee: **Sandvik Aktiebolag, Sandviken (SE)**

(**) Term: **14 Years**

(21) Appl. No.: **29/172,940**

(22) Filed: **Dec. 20, 2002**

(51) **LOC (7) Cl.** **15-09**

(52) **U.S. Cl.** **D15/139**

(58) **Field of Search** **D15/139; 407/35, 407/113-118**

(56) **References Cited**

U.S. PATENT DOCUMENTS

6,503,028 B1 * 1/2003 Wallström 407/35

6,530,726 B2 * 3/2003 Nelson 407/114

* cited by examiner

Primary Examiner—Antoine Duval Davis
(74) *Attorney, Agent, or Firm*—Burns, Doane, Swecker, & Mathis, L.L.P.

(57) **CLAIM**

The ornamental design for a cutting insert for chip forming machining, as shown and described.

DESCRIPTION

FIG. 1 is a top, front and side perspective view of a cutting insert for chip forming machining showing my new design.

FIG. 2 is a top plan view thereof.

FIG. 3 is a bottom plan view thereof.

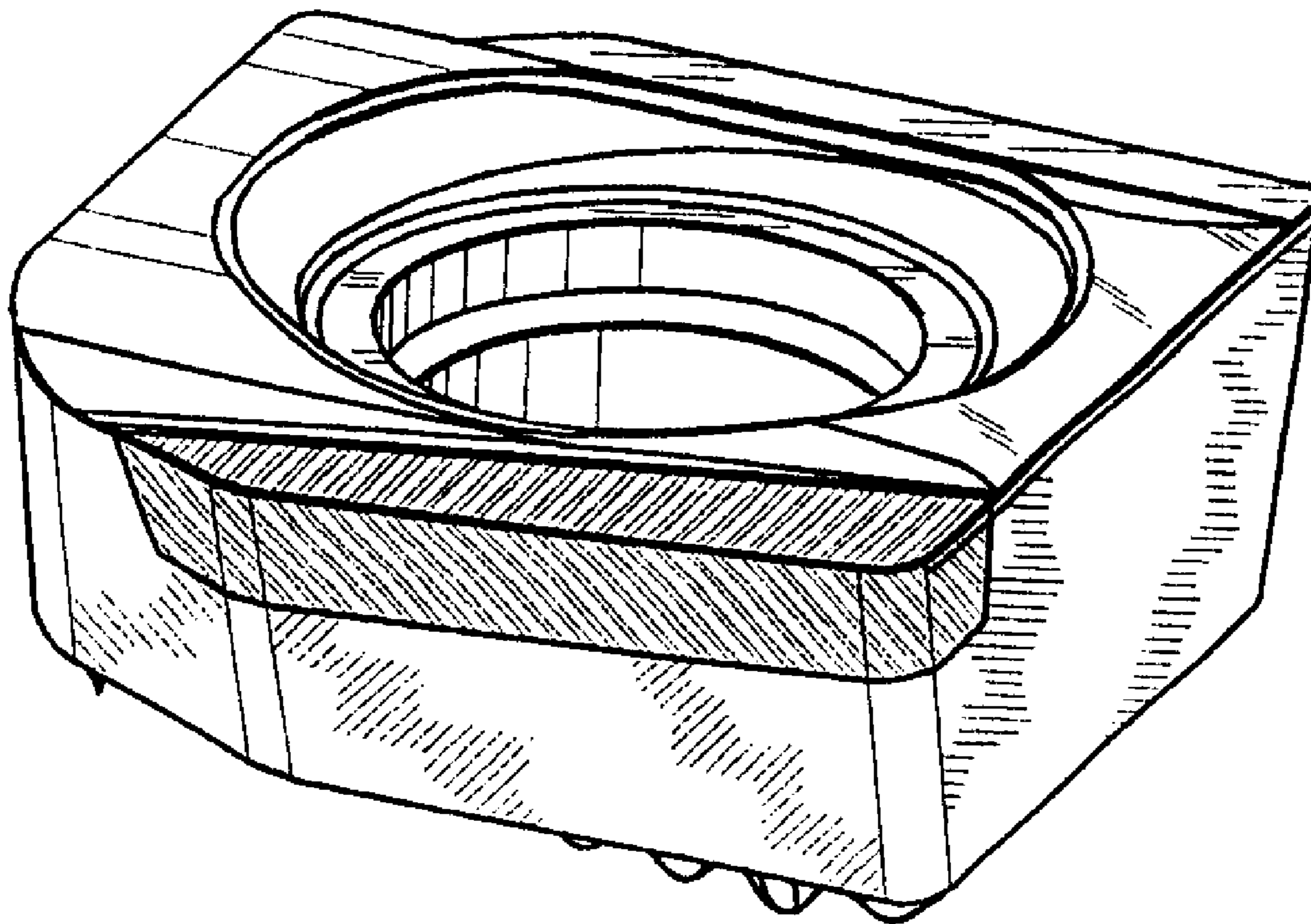
FIG. 4 is a front elevational view thereof.

FIG. 5 is a rear elevational view thereof.

FIG. 6 is a right side elevational view thereof; and,

FIG. 7 is a left side elevational view thereof.

1 Claim, 2 Drawing Sheets



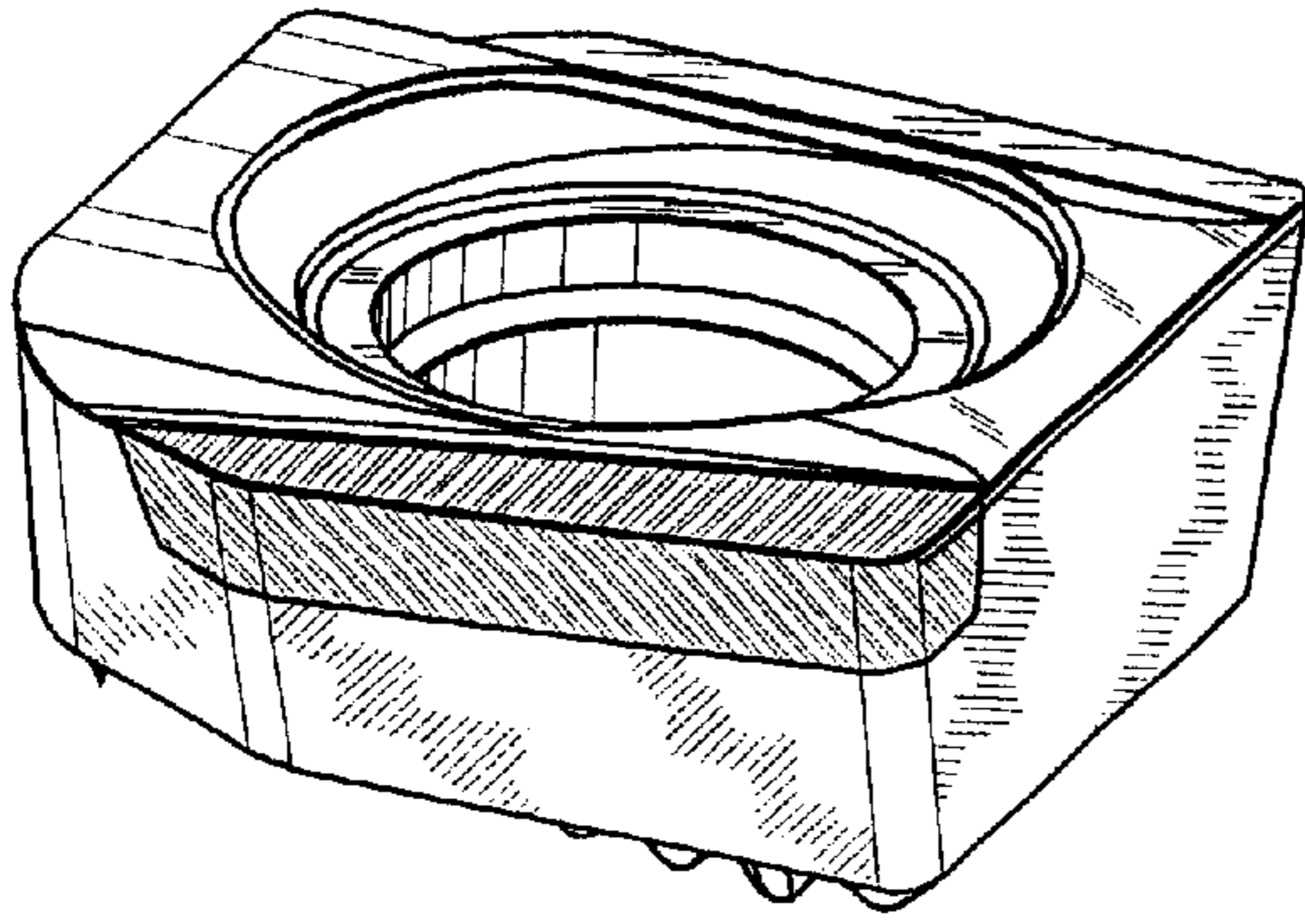


FIG. 1

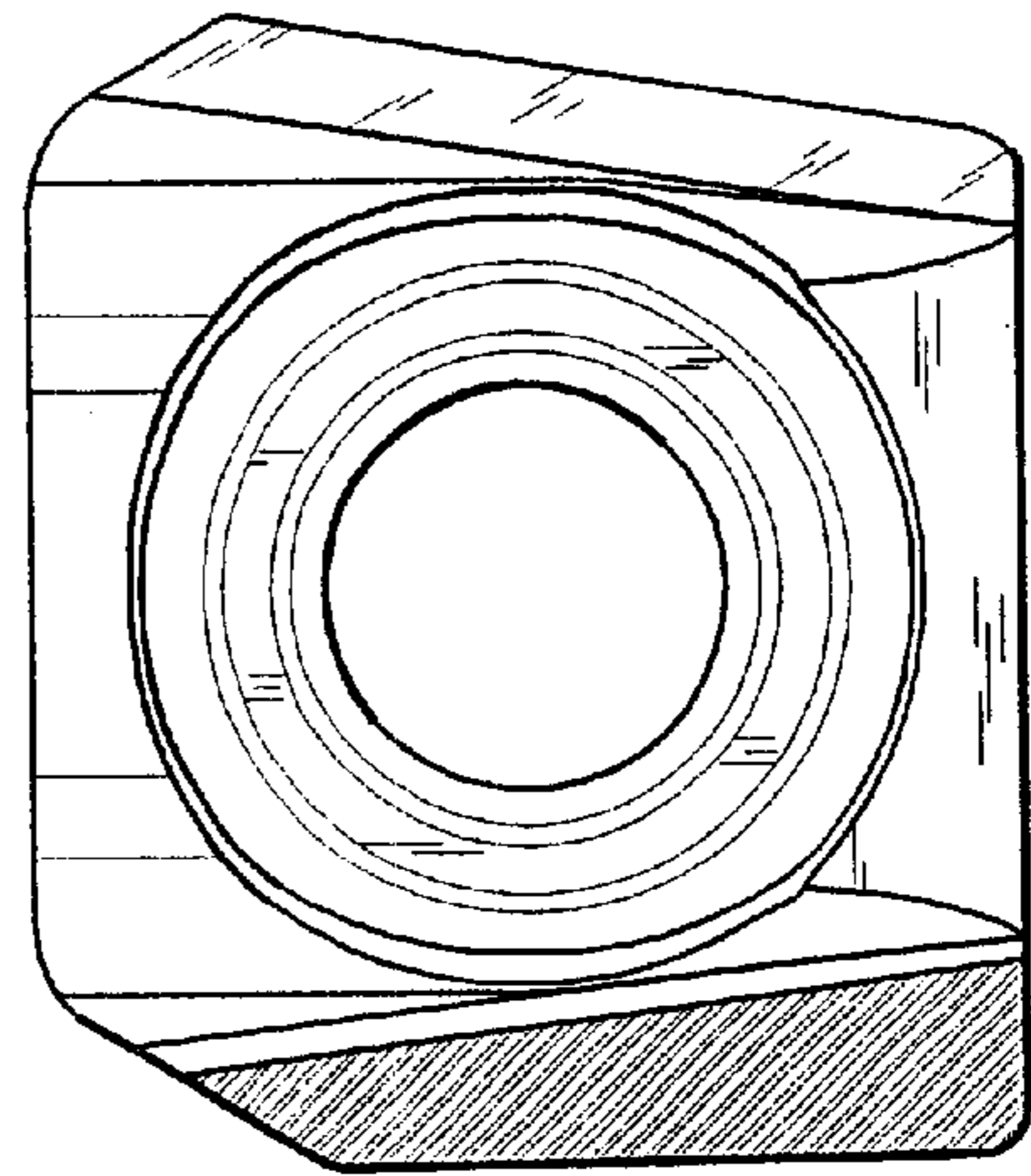


FIG. 2

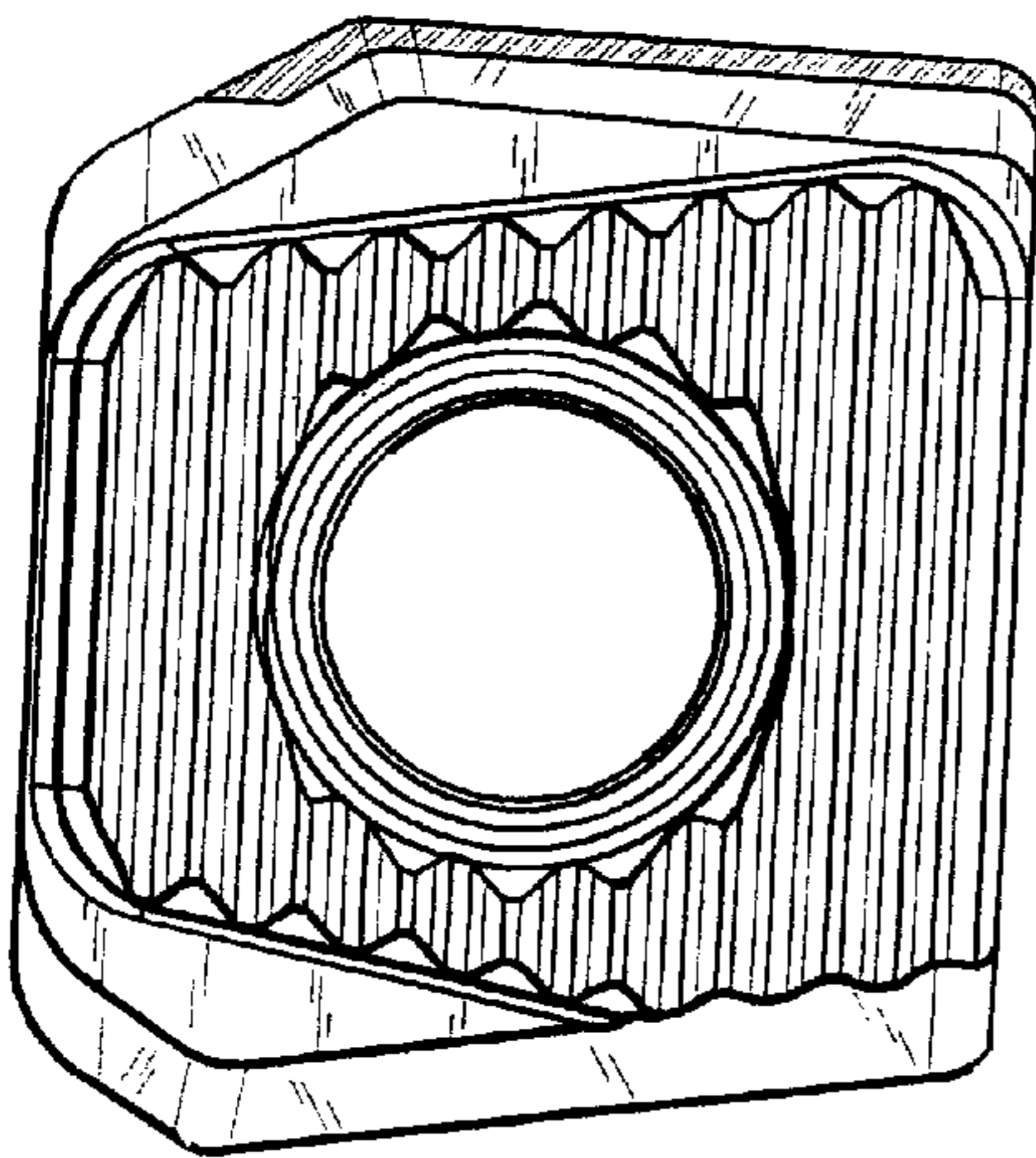


FIG. 3

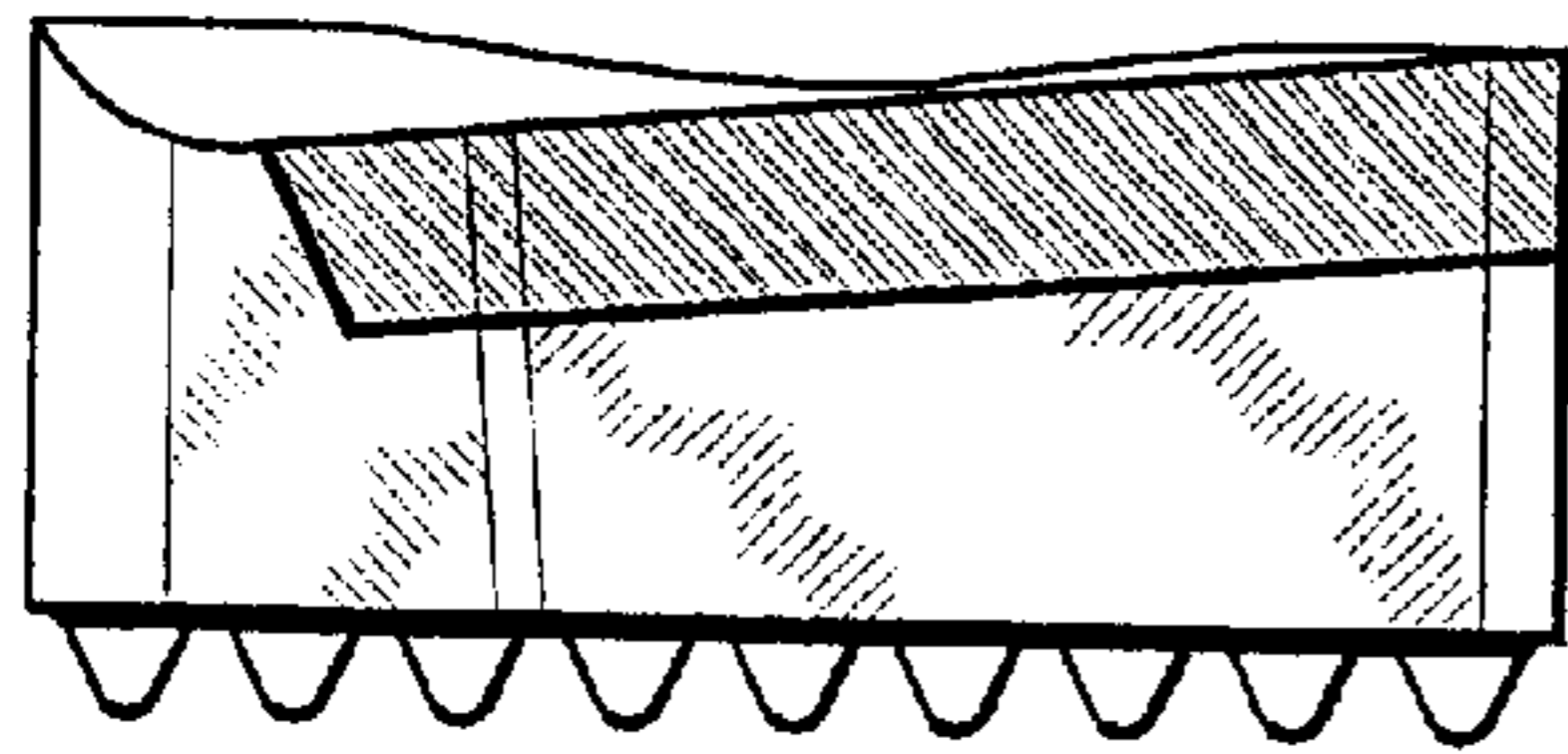


FIG. 4

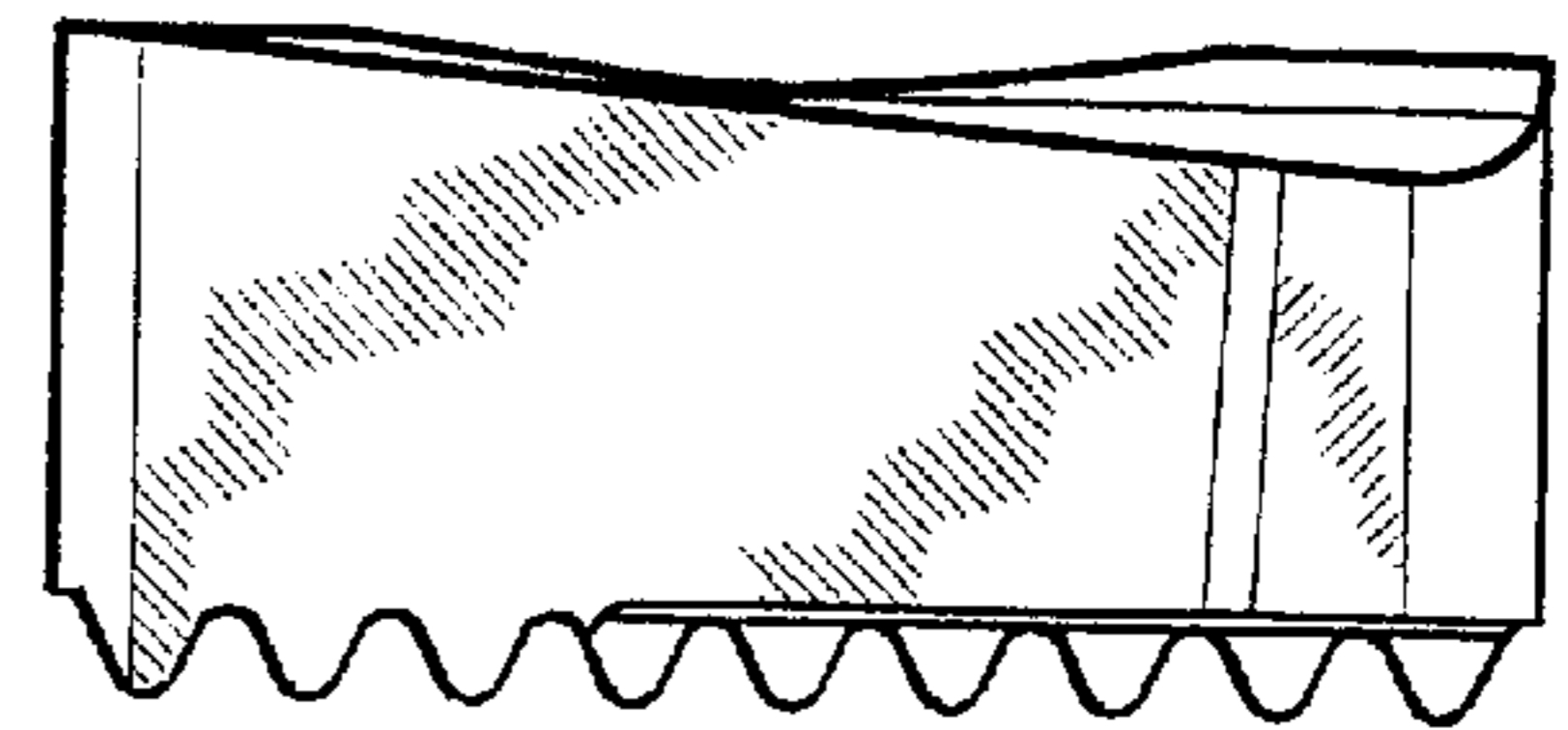


FIG. 5

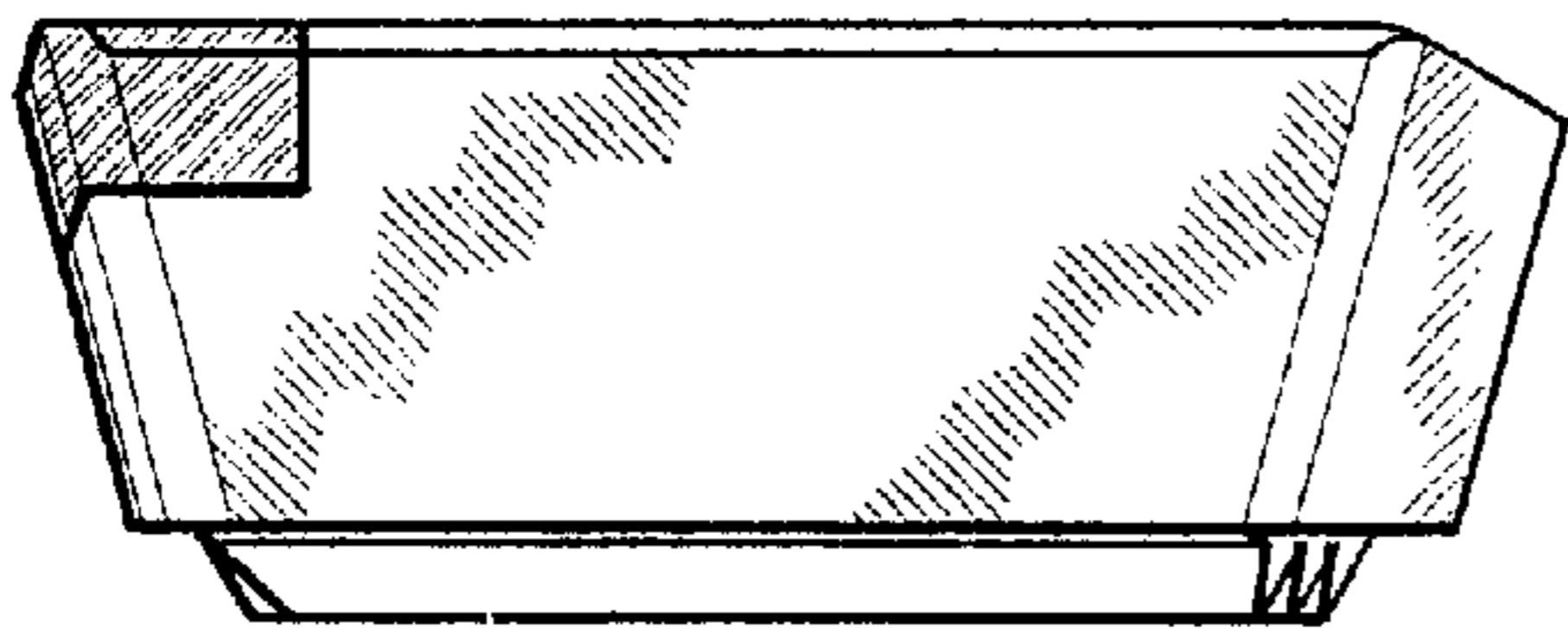


FIG. 6

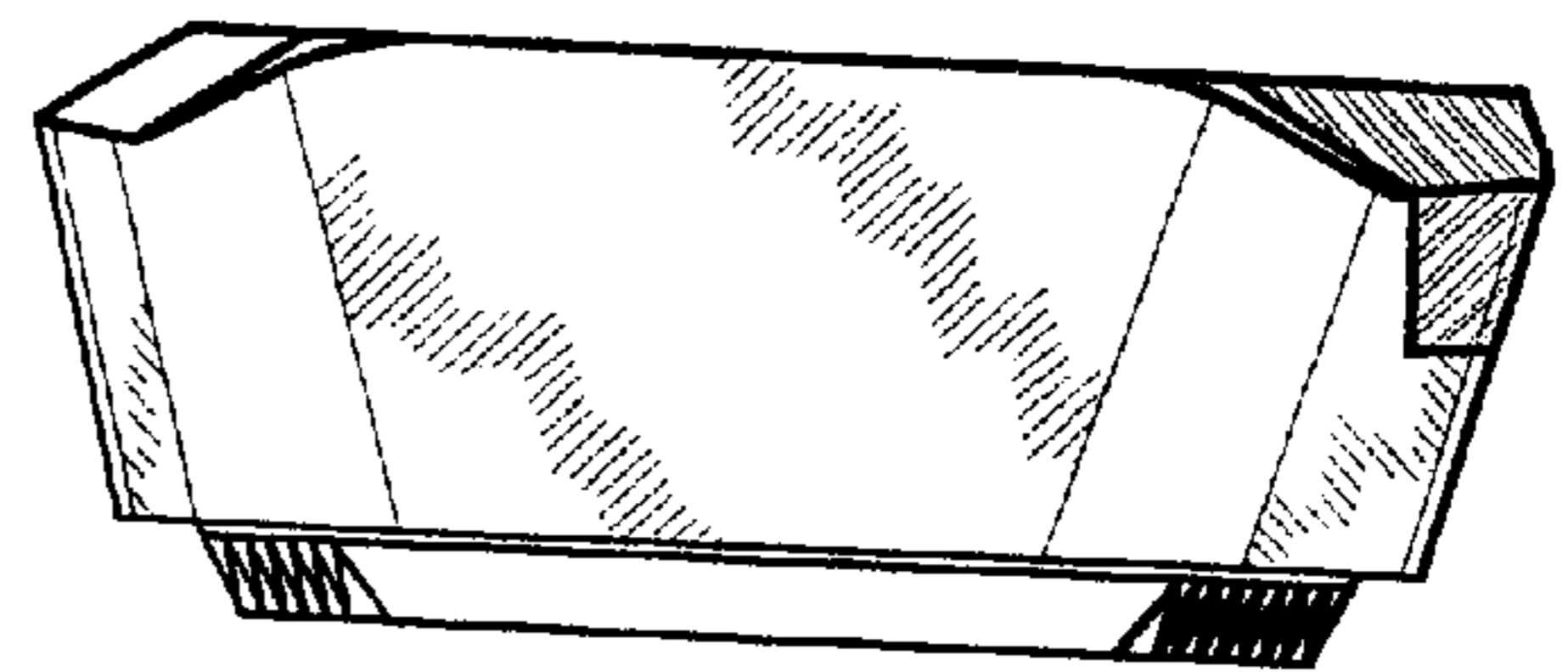


FIG. 7