



US00D485851S

(12) **United States Design Patent**  
**Takayasu et al.**

(10) **Patent No.:** **US D485,851 S**

(45) **Date of Patent:** **\*\* Jan. 27, 2004**

(54) **SEWING MACHINE**

(75) Inventors: **Toshiya Takayasu**, Arlington Heights, IL (US); **Yasuro Sano**, Tokyo (JP); **Bryce G. Rutter**, St. Louis, MO (US); **John Howard Loudenslager**, Phoenix, AZ (US); **Marc Hunter**, Edwardsville, IL (US); **Jayne Lynch**, Glendale, MO (US); **Heath A. Doty**, Richmond Heights, MO (US)

(73) Assignee: **Jamac, Inc.**, Elk Grove, IL (US)

(\*\*) Term: **14 Years**

(21) Appl. No.: **29/168,343**

(22) Filed: **Sep. 30, 2002**

(51) **LOC (7) Cl.** ..... **15-06**

(52) **U.S. Cl.** ..... **D15/70**

(58) **Field of Search** ..... D15/66, 69-76;  
112/217.1-217.4, 258, 259, 260, 261, 262.1;  
446/144

(56) **References Cited**

**U.S. PATENT DOCUMENTS**

D250,649 S	*	12/1978	Hirano	.....	D15/70
D348,292 S	*	6/1994	Chiu	.....	D21/527
D392,652 S	*	3/1998	Takada et al.	.....	D15/70
D403,333 S	*	12/1998	Takada et al.	.....	D15/70
D430,886 S	*	9/2000	Yamamoto	.....	D15/69
D450,720 S	*	11/2001	Kuroki	.....	D15/69
D450,722 S		11/2001	Kawaguchi	.....	D15/69
D459,369 S		6/2002	Yamamoto et al.	.....	D15/69

D459,737 S		7/2002	Kuroki	.....	D15/69
D460,765 S		7/2002	Kuroki	.....	D15/69
D462,703 S	*	9/2002	Farne	.....	D15/69
D472,562 S	*	4/2003	Yamamoto et al.	.....	D15/69

\* cited by examiner

*Primary Examiner*—Mitchell Siegel

(74) *Attorney, Agent, or Firm*—Suelthaus & Walsh, P.C.

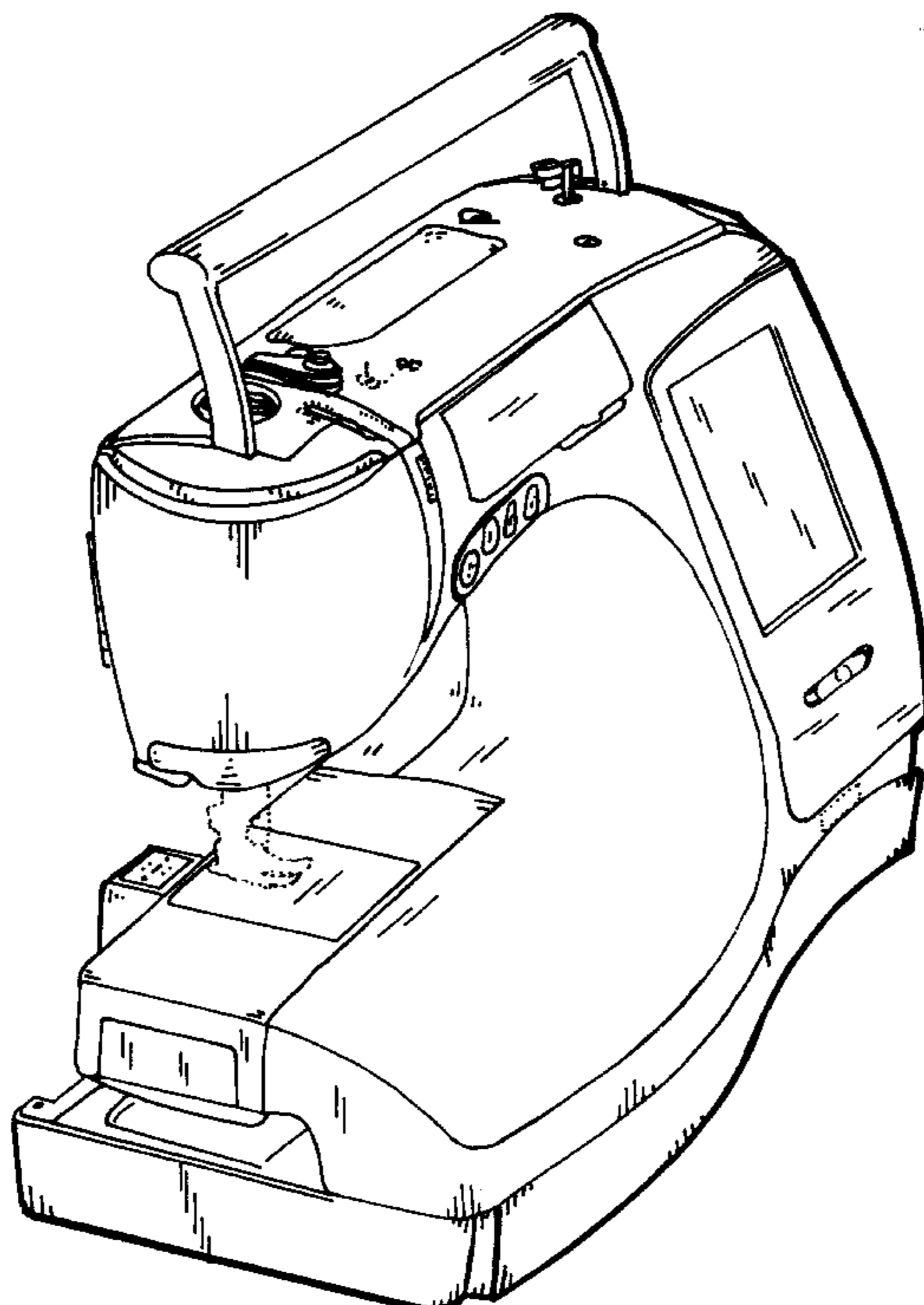
(57) **CLAIM**

The ornamental design for a sewing machine, as shown.

**DESCRIPTION**

FIG. 1 is a front view of the sewing machine of the present invention;  
 FIG. 2 is a rear view of the sewing machine of the present invention;  
 FIG. 3 is a top view of the sewing machine of the present invention;  
 FIG. 4 is a bottom view of the sewing machine of the present invention;  
 FIG. 5 is a right-side view of the sewing machine of the present invention;  
 FIG. 6 is a left-side view of the sewing machine of the present invention;  
 FIG. 7 is a perspective view of the sewing machine of the present invention; and,  
 FIG. 8 is a perspective view showing the handle of the sewing machine of the present invention.  
 The broken line showing is for illustrative purposes only and forms no part of the claimed design.

**1 Claim, 8 Drawing Sheets**



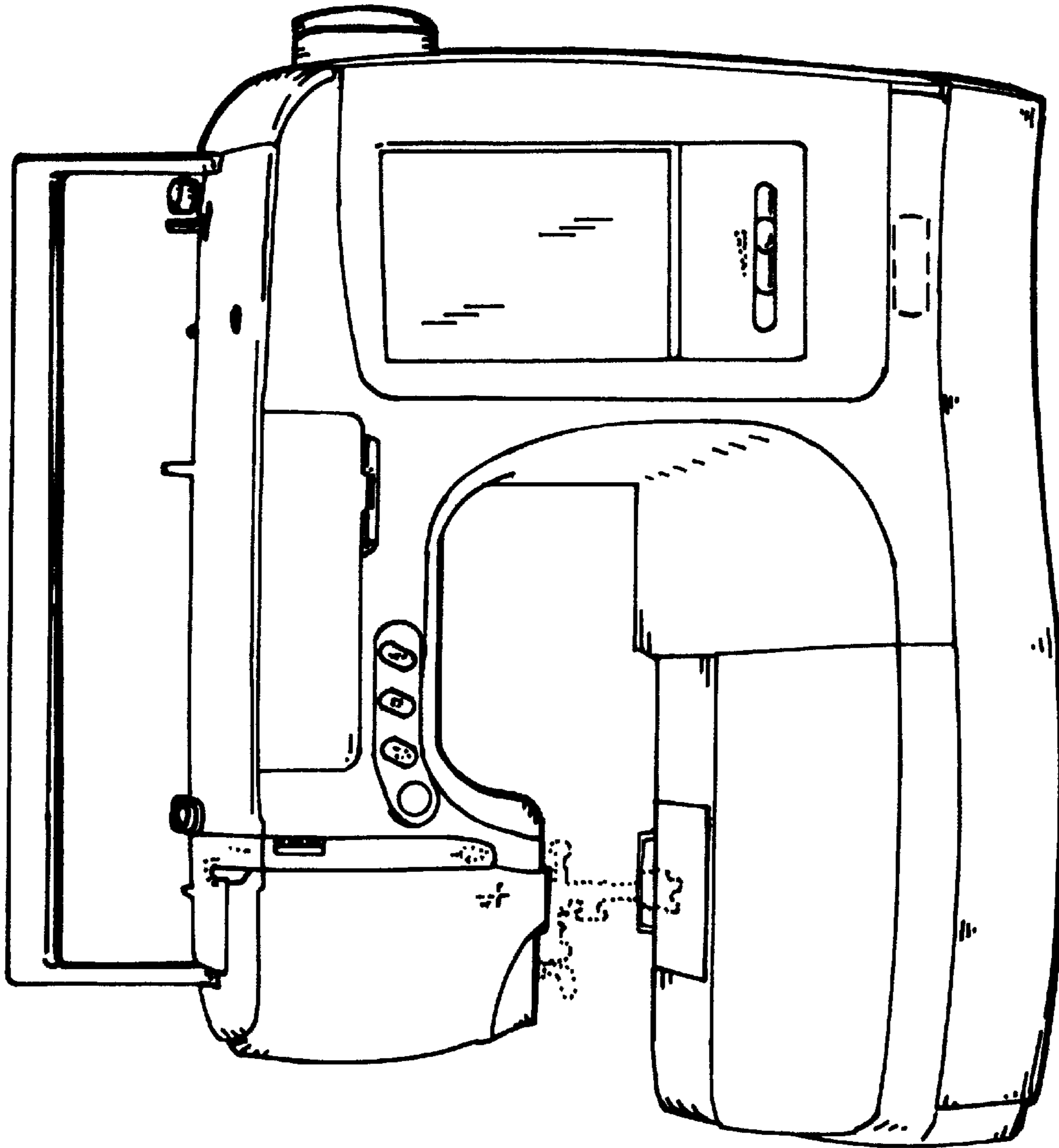


FIG.1

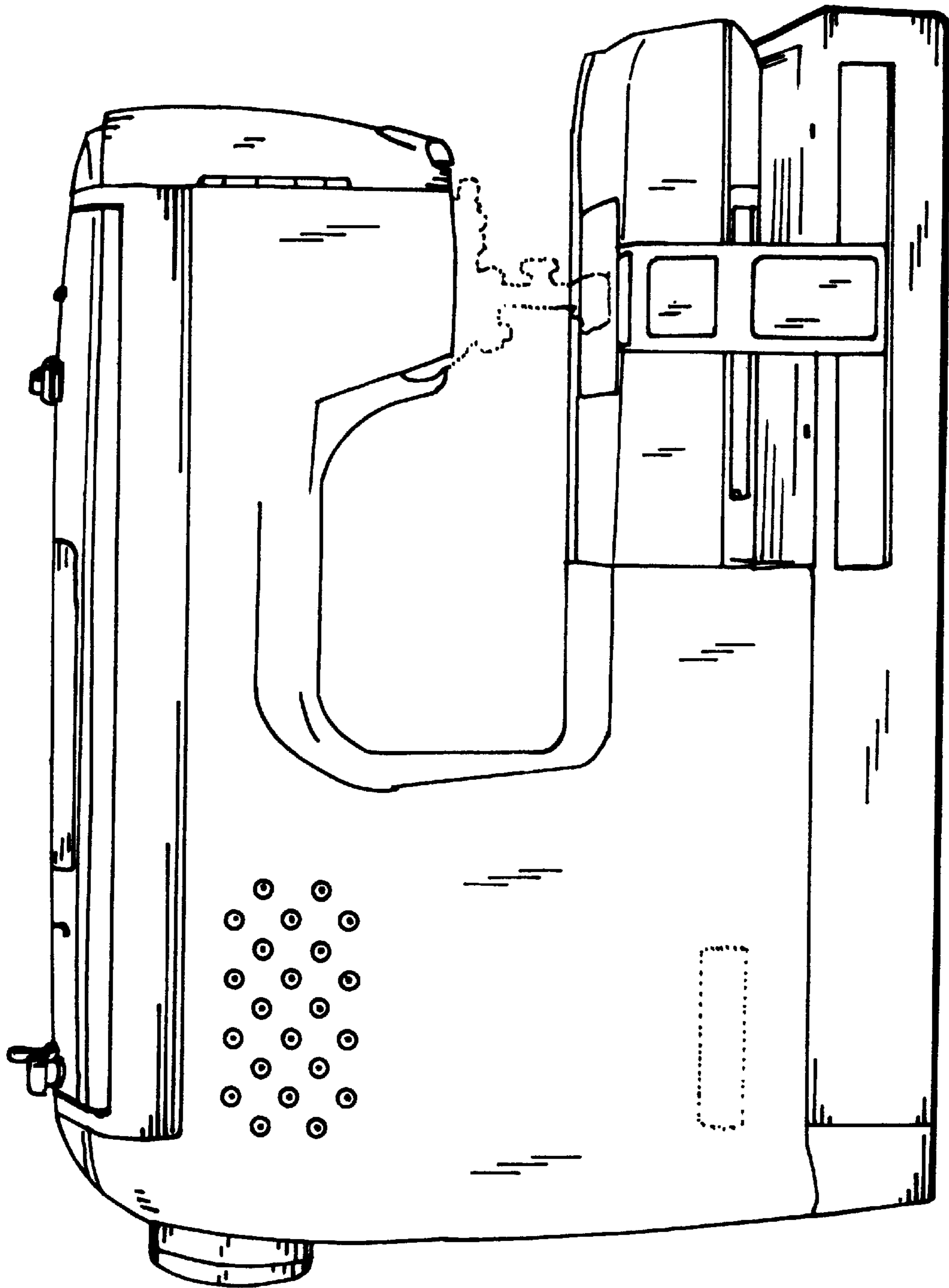


FIG. 2

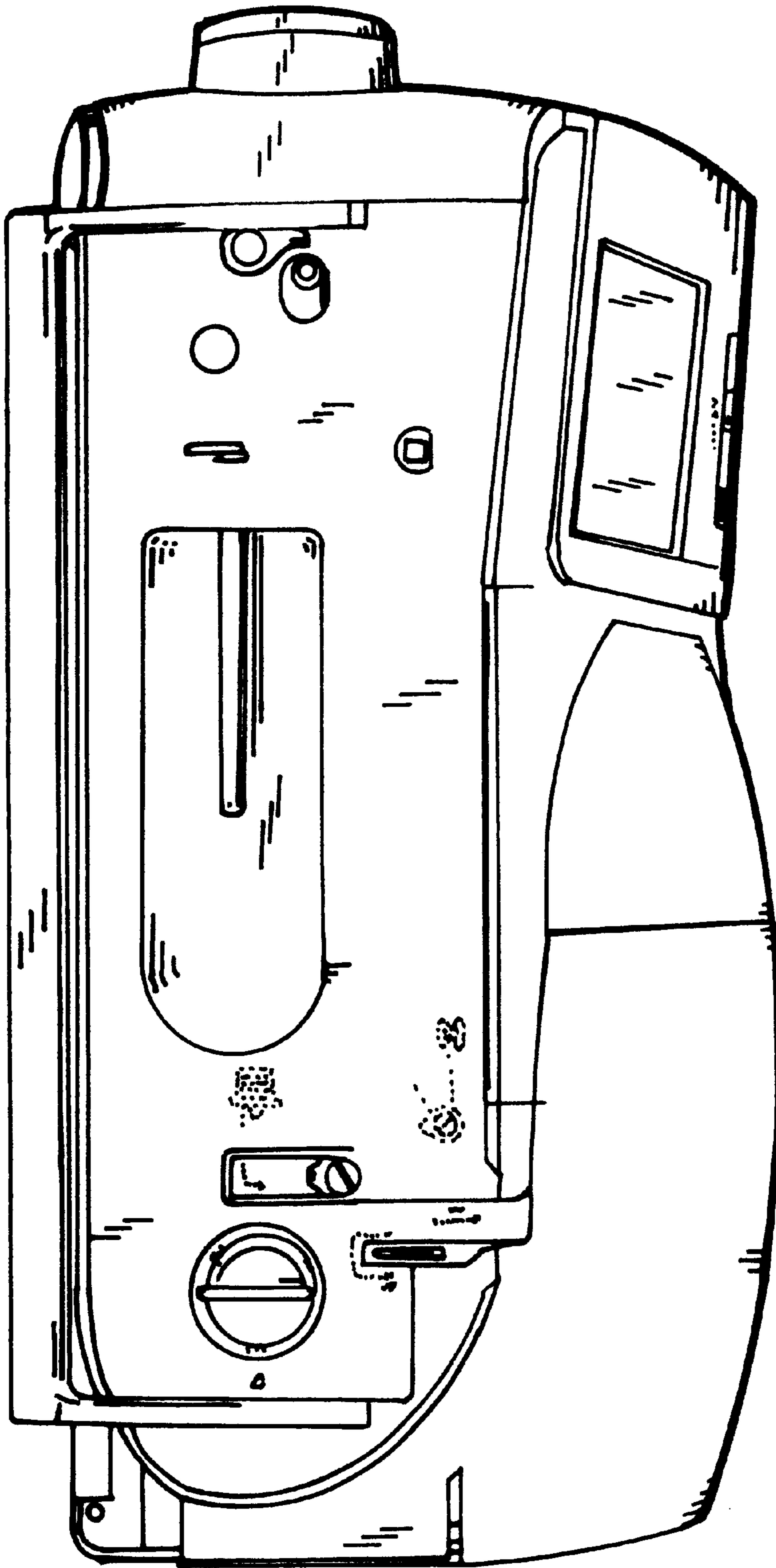


FIG. 3

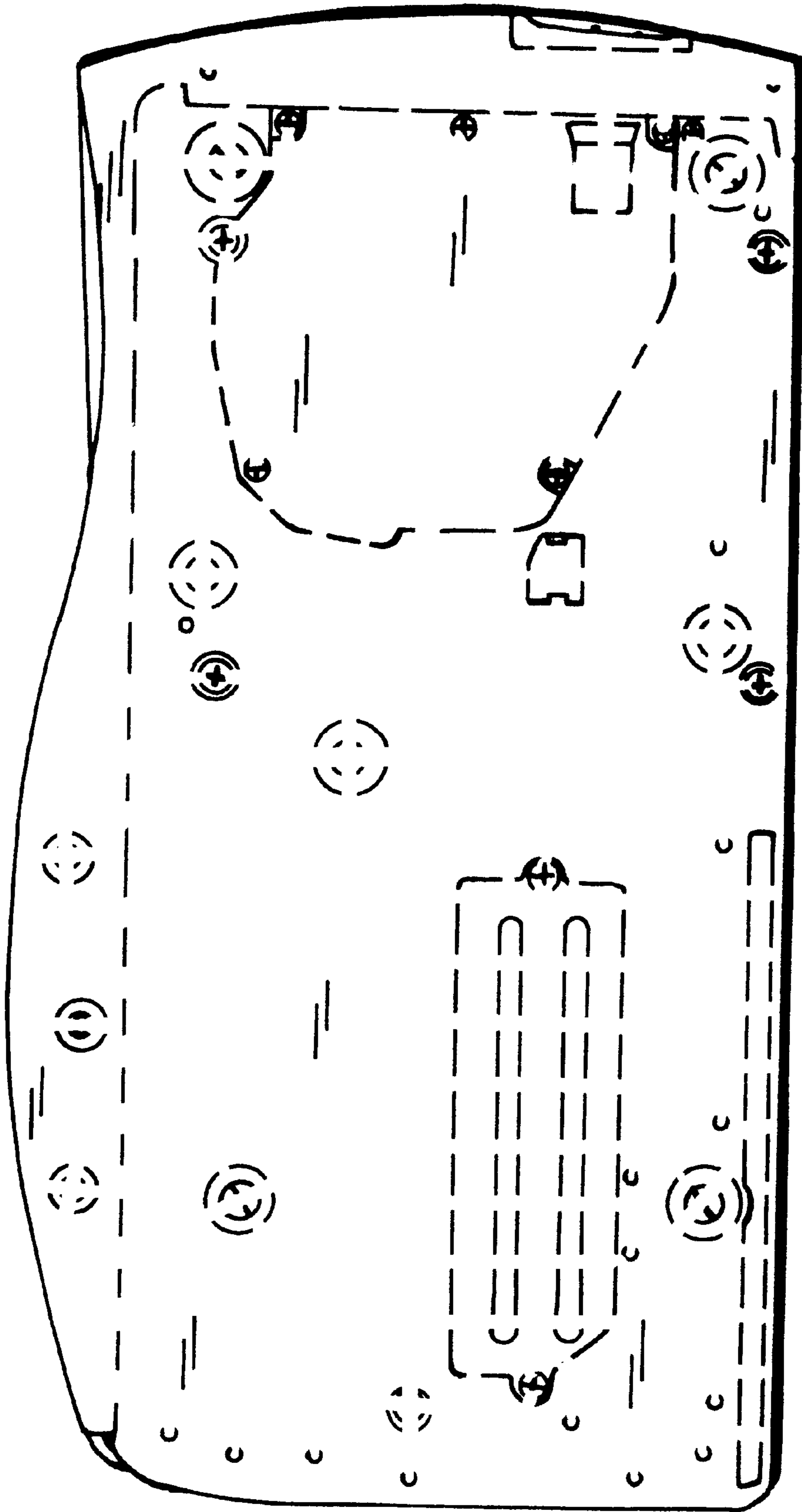


FIG.4

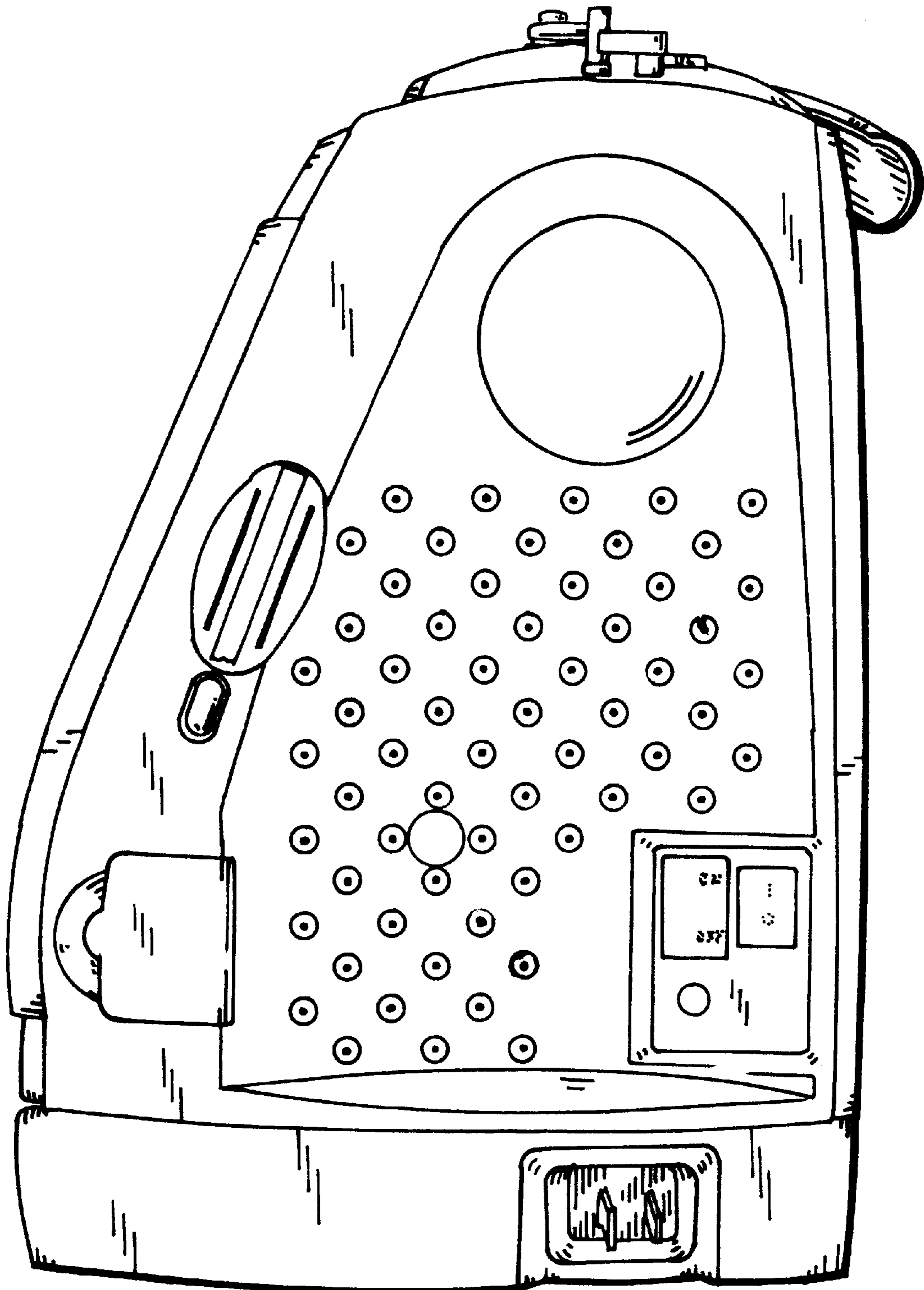


FIG. 5

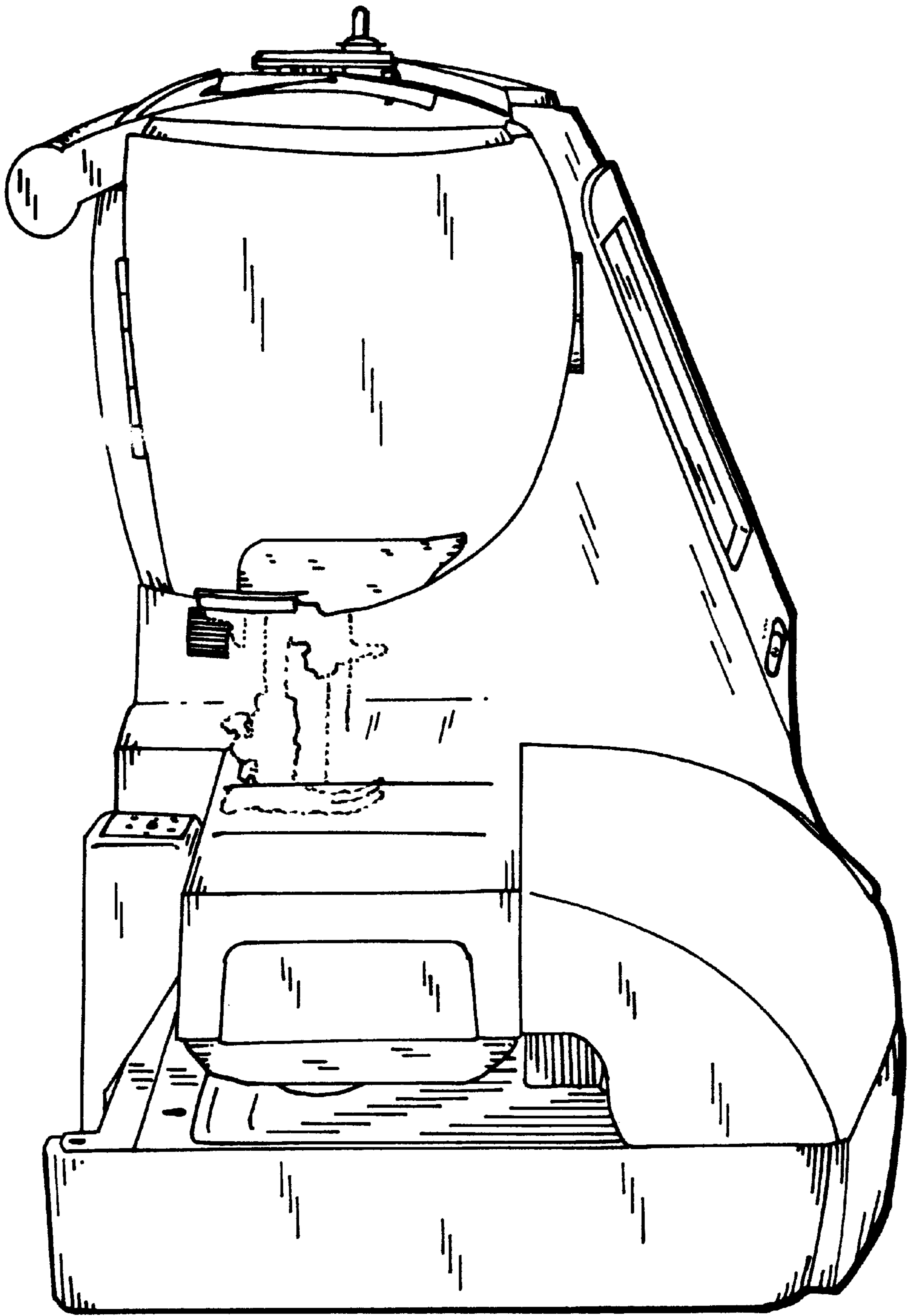


FIG. 6

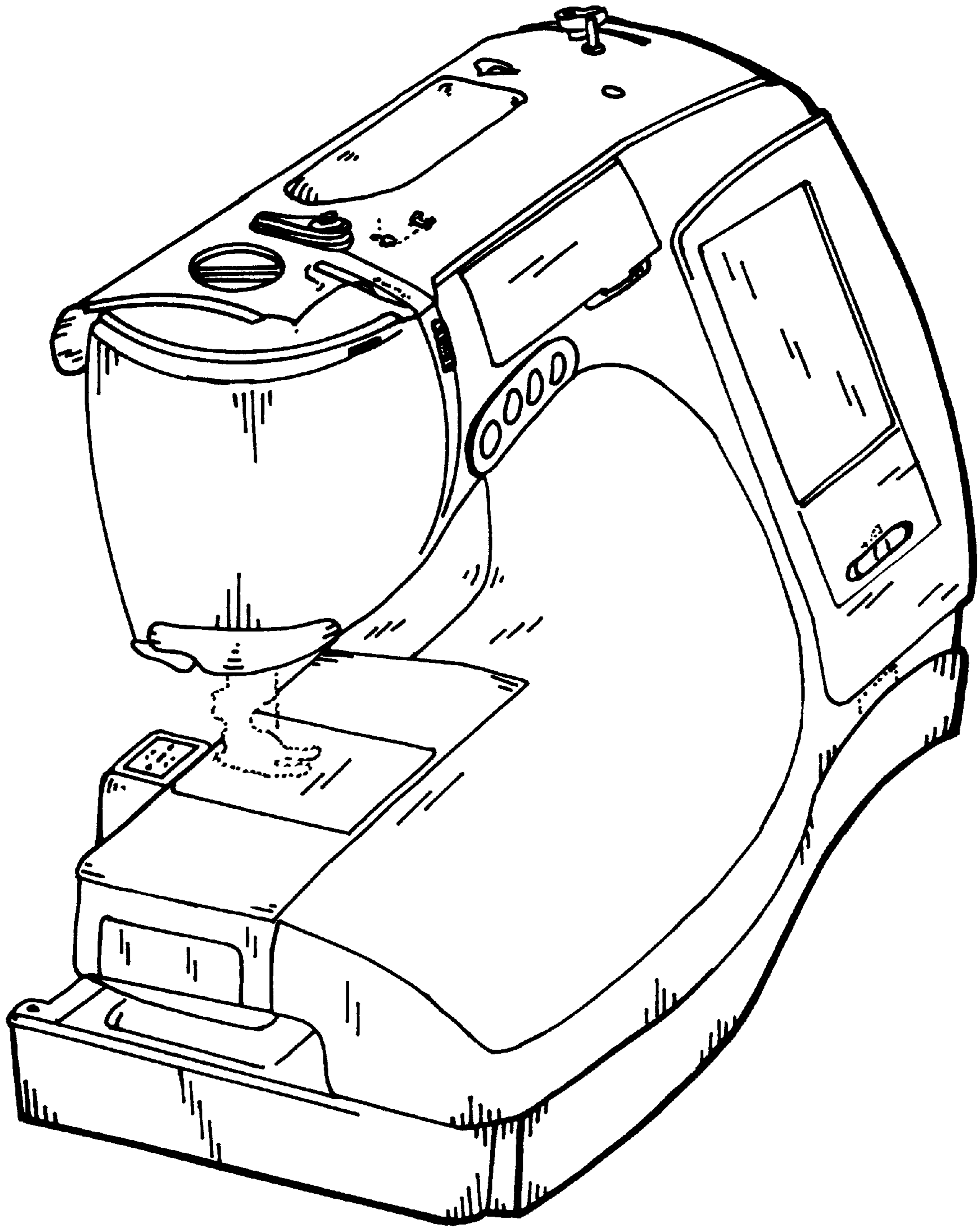


FIG. 7



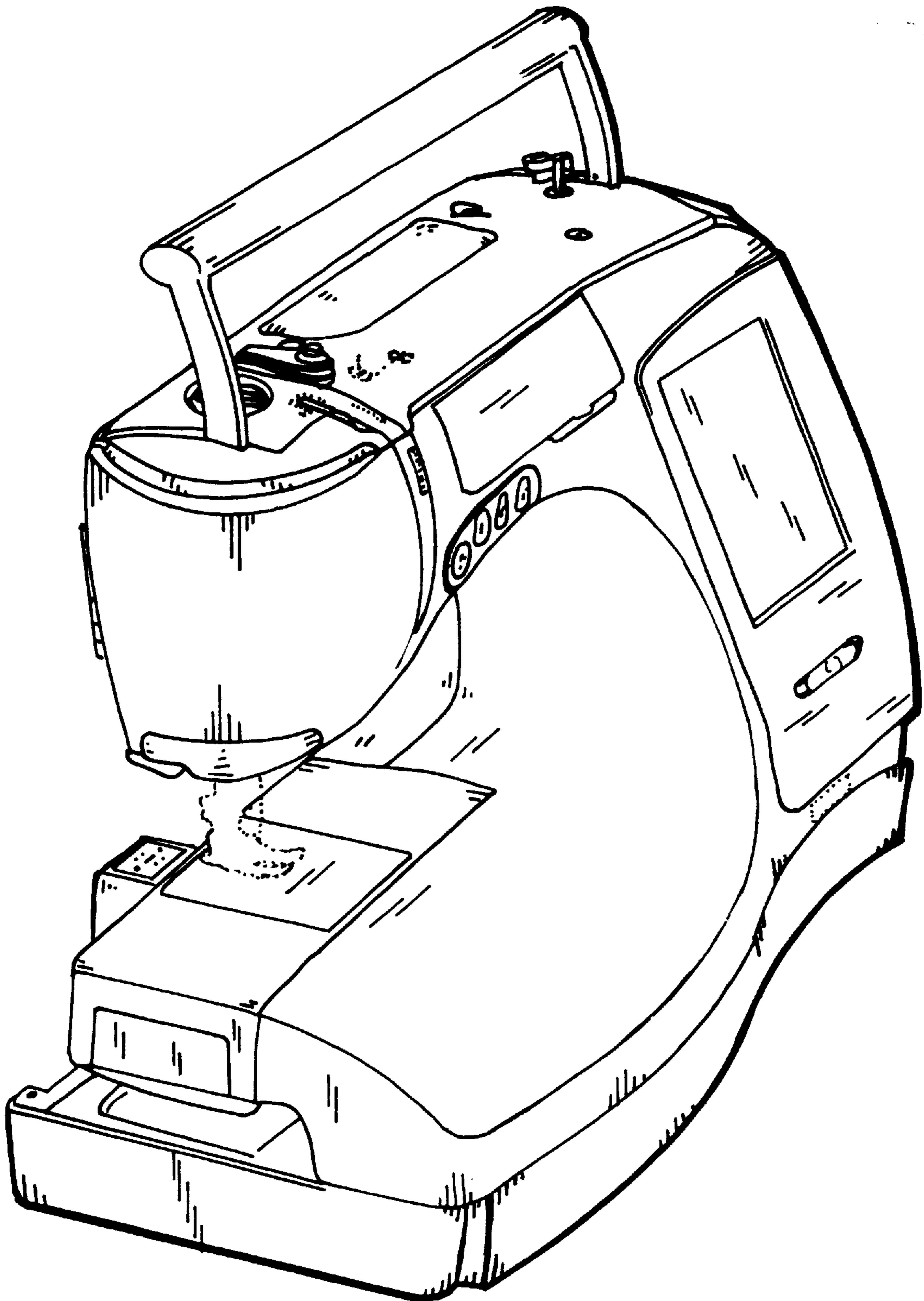


FIG. 8