



US00D485850S

(12) **United States Design Patent**
Anderson

(10) **Patent No.:** **US D485,850 S**

(45) **Date of Patent:** **** Jan. 27, 2004**

(54) **ROLLER ASSEMBLY FOR LAWNMOWER**

(74) *Attorney, Agent, or Firm*—Harry I. Leon

(76) **Inventor:** **Steven E. Anderson**, 941 Grier Rd.,
Winder, GA (US) 30680

(57) **CLAIM**

The ornamental design for a roller assembly for lawnmower,
as shown and described.

(**) **Term:** **14 Years**

DESCRIPTION

(21) **Appl. No.:** **29/176,788**

FIG. 1 is a top, right side perspective view of a lawnmower where the roller assembly is attached to a lawnmower, the broken-line disclosure of the lawnmower is being shown for illustrative purposes only and forming no part of the claimed design;

(22) **Filed:** **Feb. 27, 2003**

FIG. 2 is a top, right side perspective view of a lawnmower before previous casters have been removed and the roller assembly is attached.

(51) **LOC (7) Cl.** **15-03**

(52) **U.S. Cl.** **D15/17**

(58) **Field of Search** D15/14, 17, 28;
404/117, 128; 56/17.4, 2, 249.5, 14.7, 16.7,
16.9, 6, 7, 255, 295

FIG. 3 is a front view of the lawnmower with the roller assembly attached.

(56) **References Cited**

U.S. PATENT DOCUMENTS

261,638	A	*	7/1882	Stanly	404/128
3,555,793	A	*	1/1971	Chapman	56/17.4
4,638,622	A	*	1/1987	Smith	56/17.4
5,261,213	A	*	11/1993	Humphrey	56/2
5,870,888	A	*	2/1999	Pugh	56/16.7
6,523,335	B2	*	2/2003	Vanderipe	56/16.7

FIG. 4 is a top, right side perspective view of the roller assembly according to FIG. 1 with a break out section to show the structure of the roller;

FIG. 5 is a top plan view of the roller assembly; according to FIG. 1;

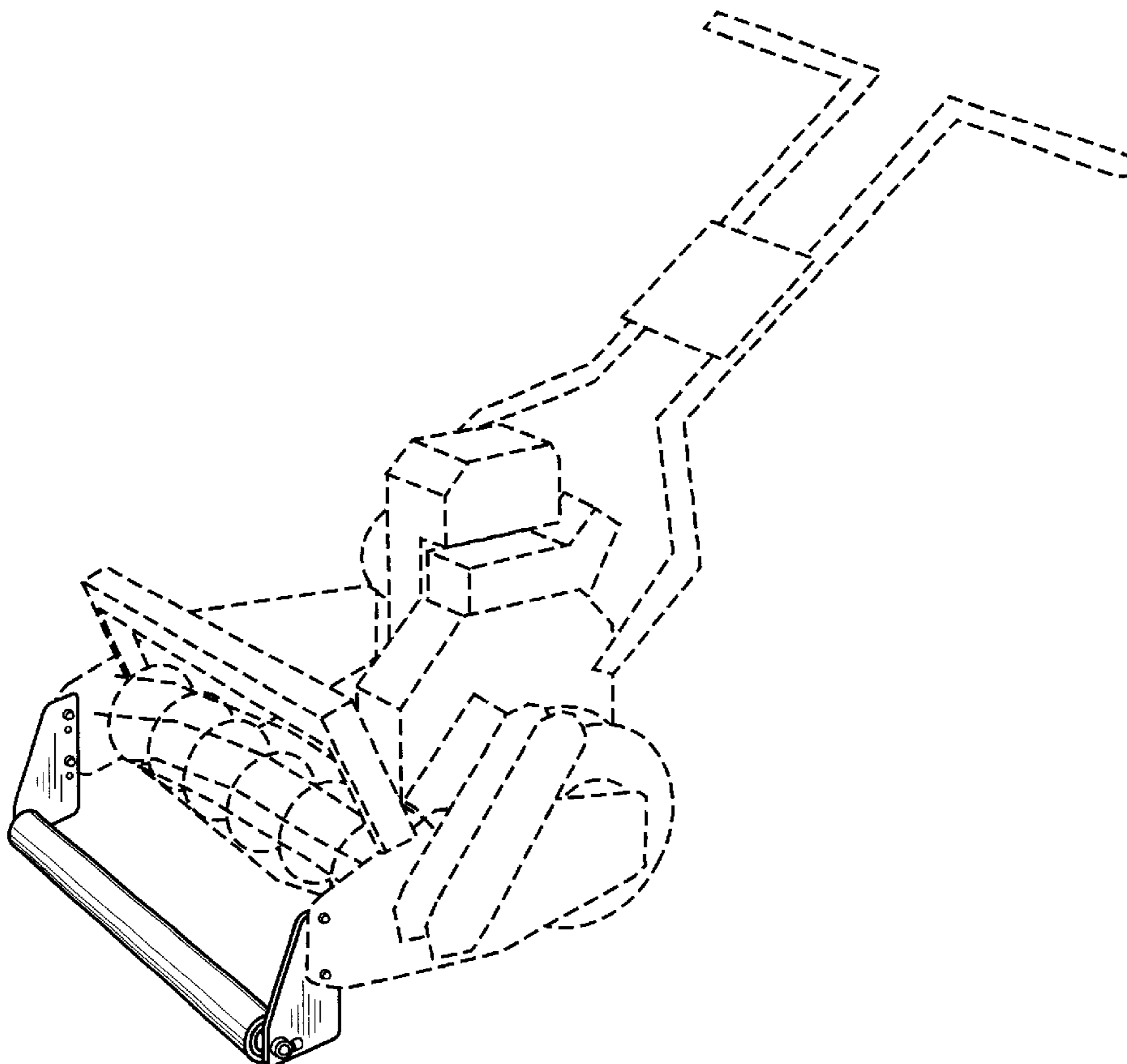
FIG. 6 is a right side elevational view of the roller assembly according to FIG. 1; and,

FIG. 7 is a left side elevational view of the roller assembly according to FIG. 1.

* cited by examiner

Primary Examiner—Mitchell Siegel

1 Claim, 3 Drawing Sheets



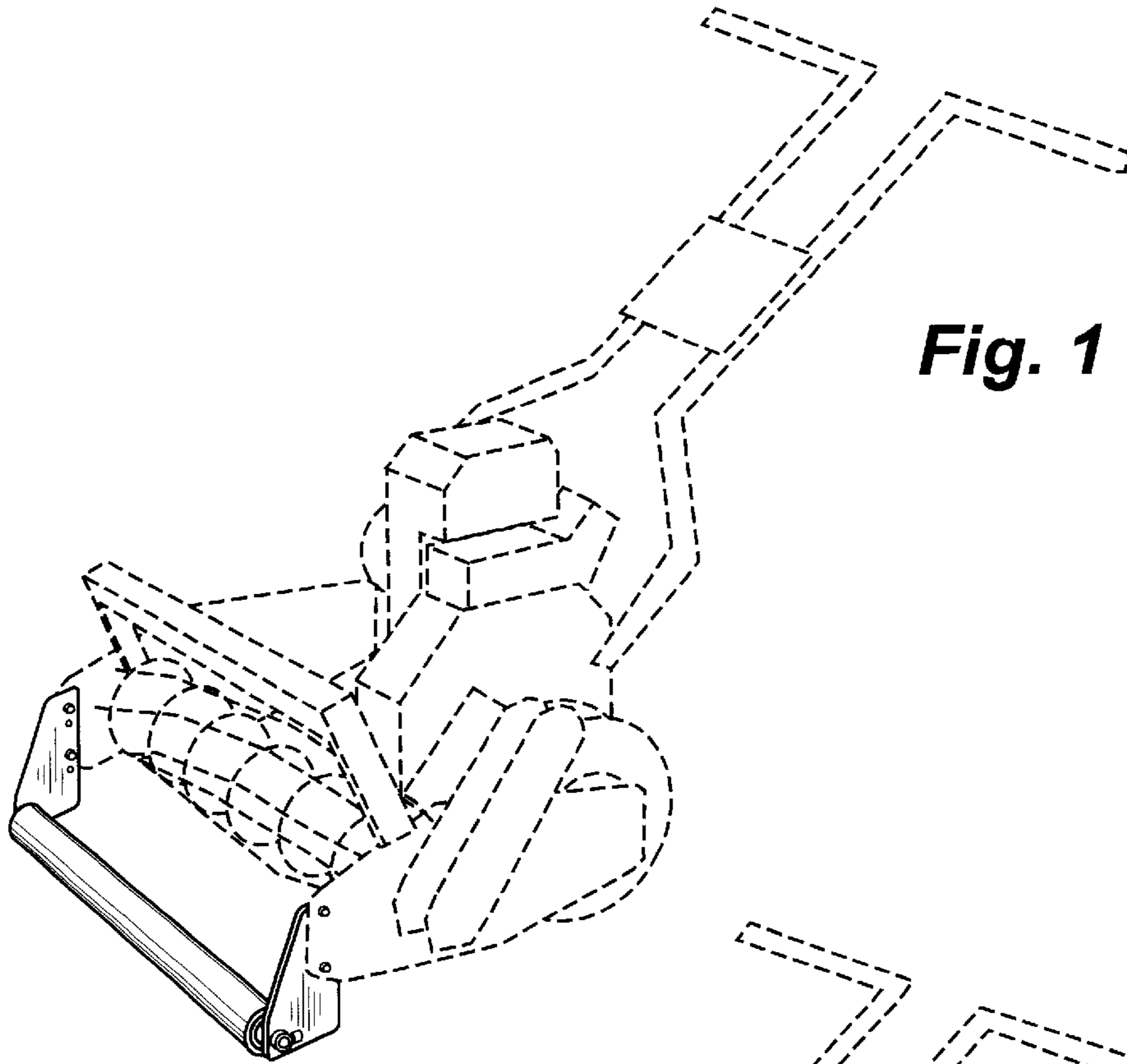


Fig. 1

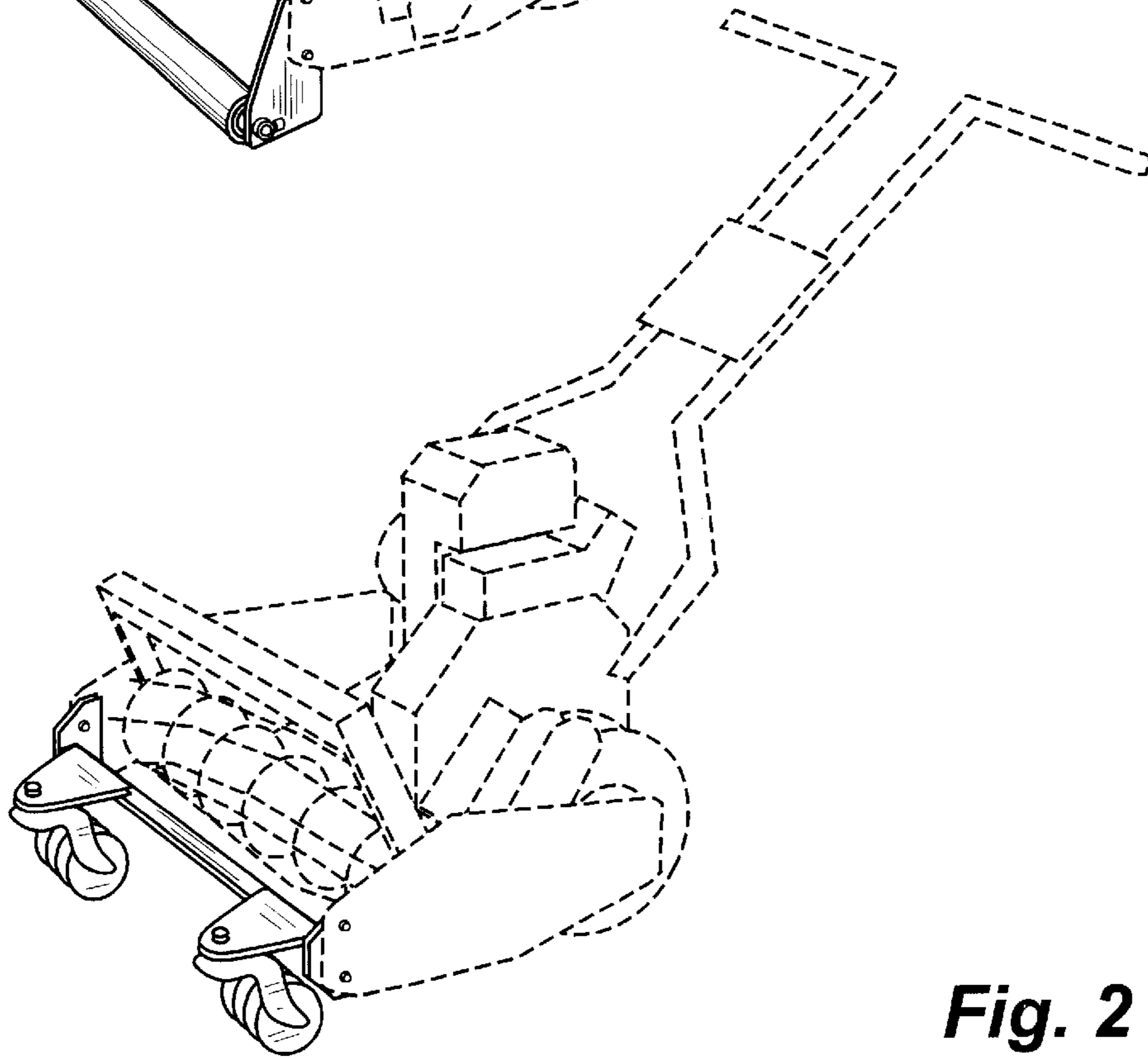


Fig. 2

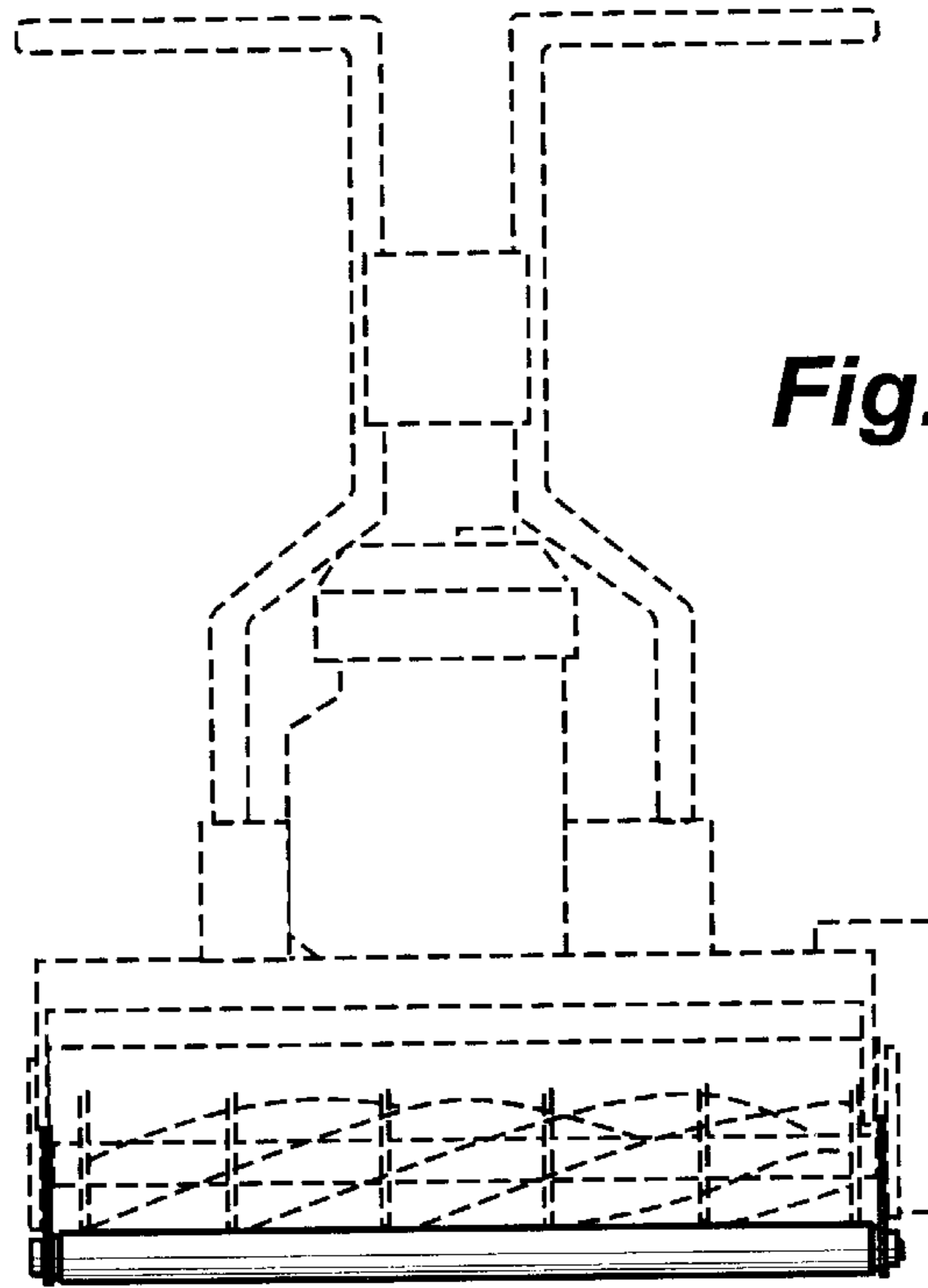


Fig. 3

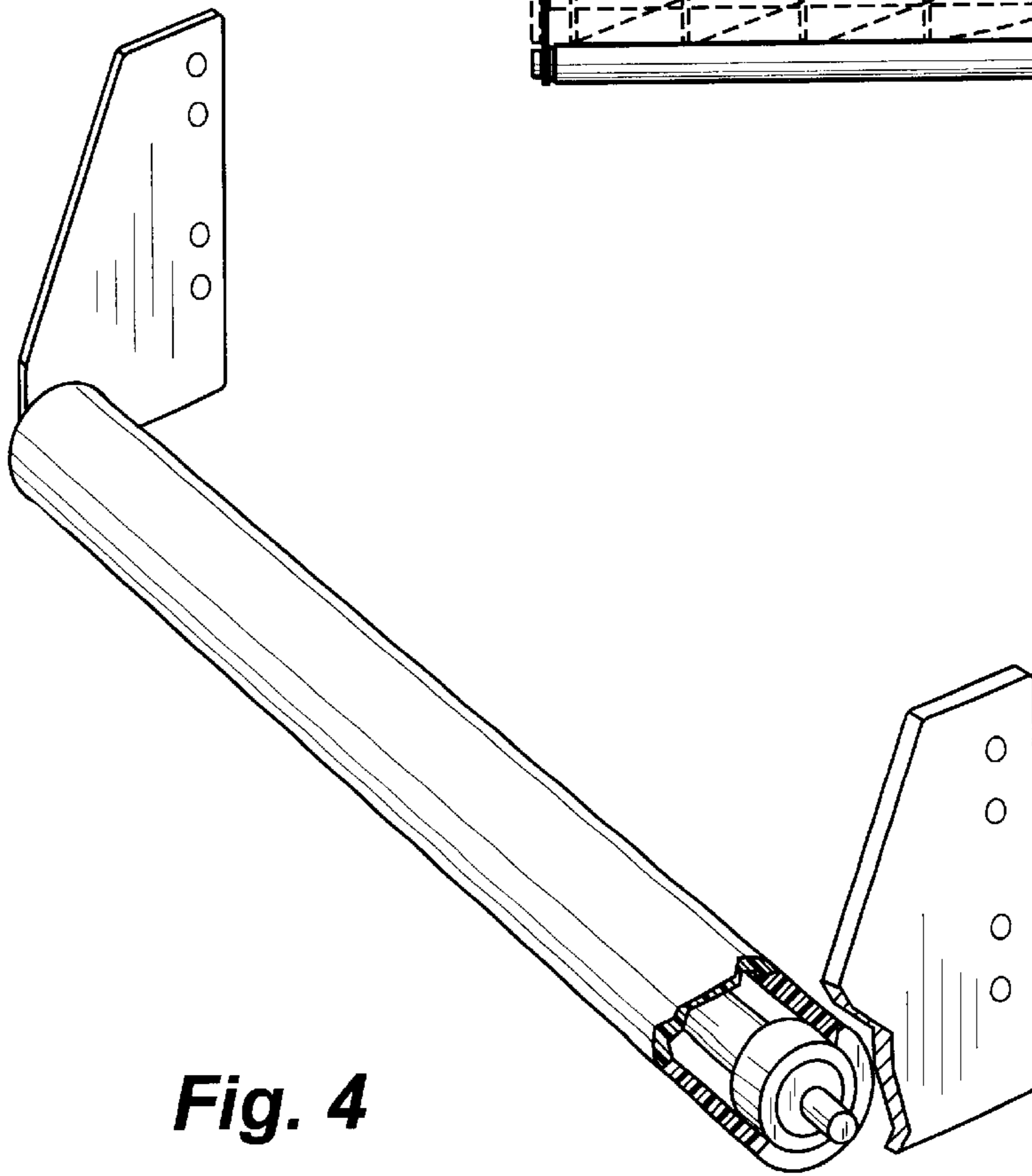


Fig. 4

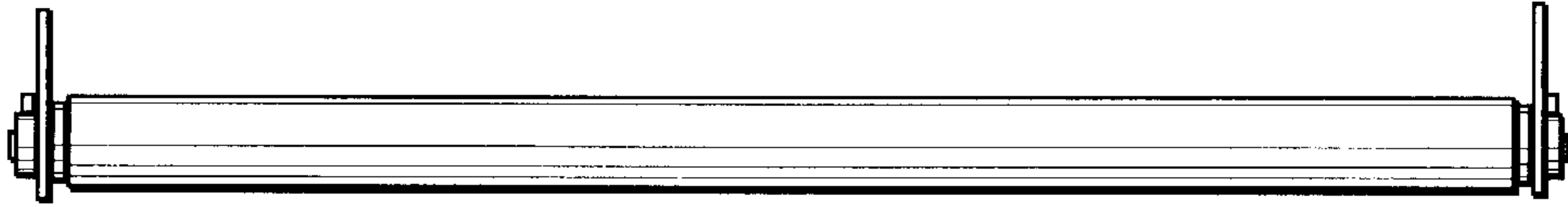


Fig. 5

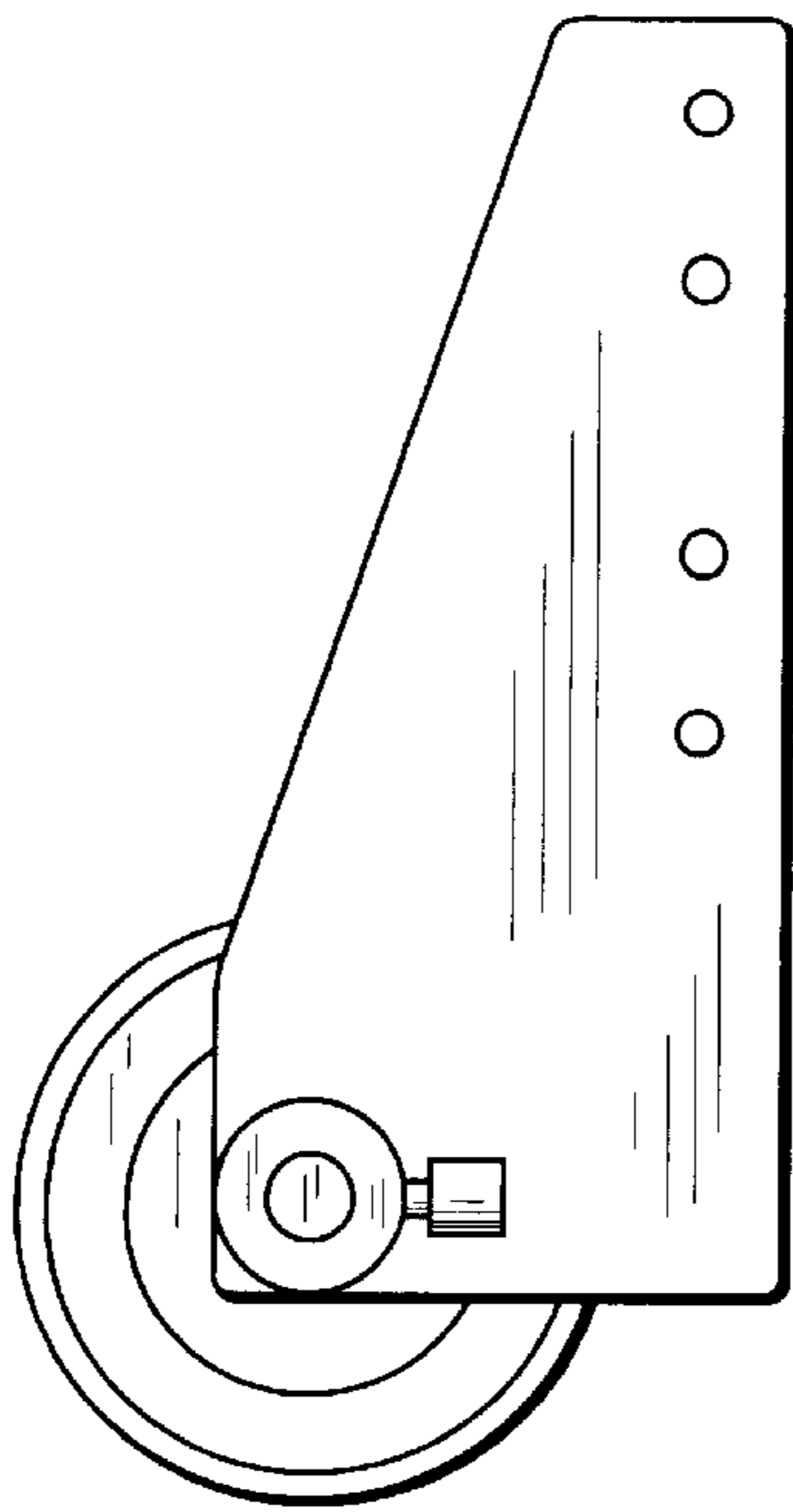


Fig. 6

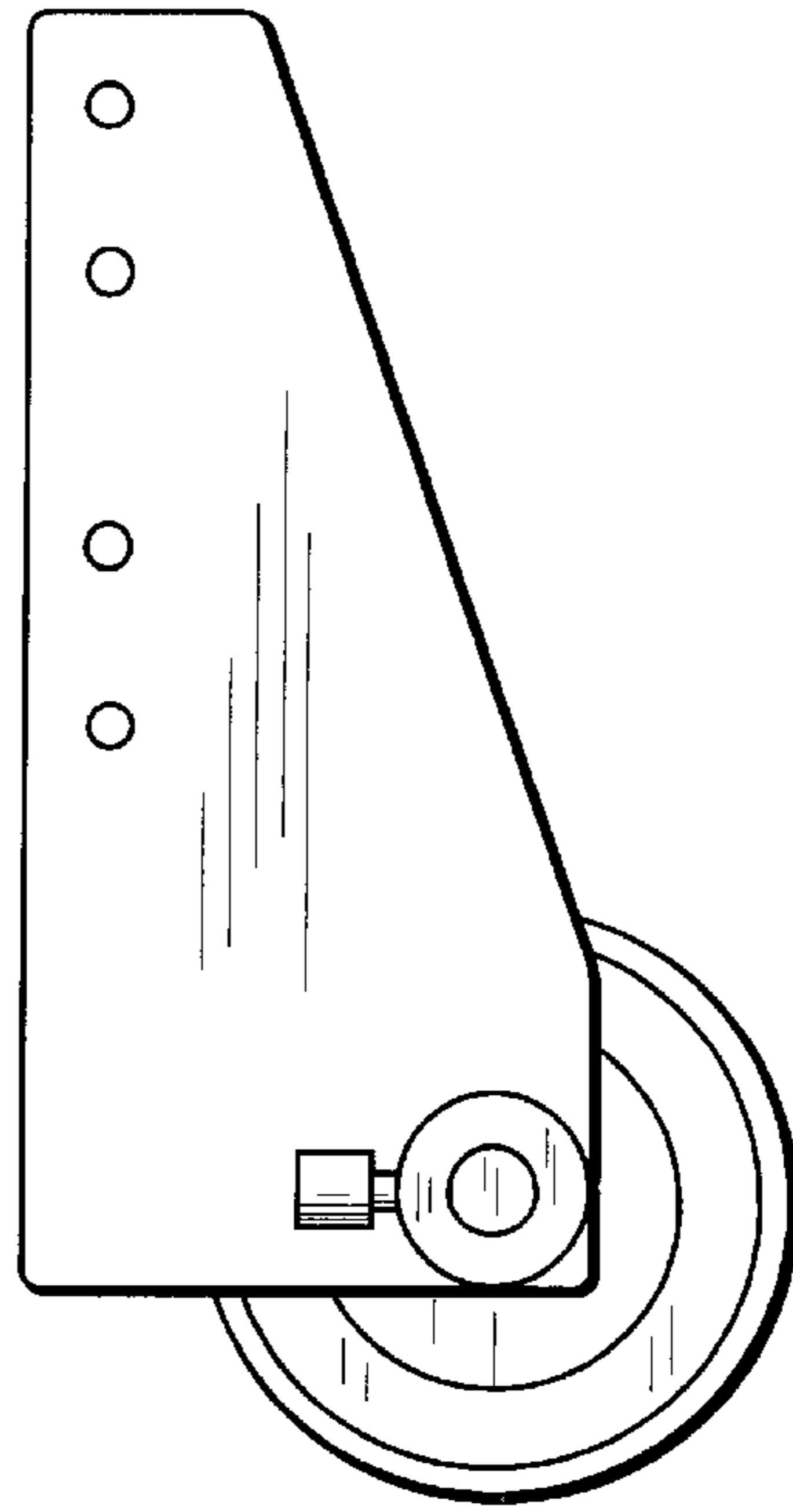


Fig. 7