



US00D485848S

(12) **United States Design Patent**  
**Sanschagrín et al.**

(10) **Patent No.:** **US D485,848 S**  
(45) **Date of Patent:** **\*\* Jan. 27, 2004**

- (54) **ELEMENT OF A COWLING**
- (75) Inventors: **Stephane Sanschagrín**, St-Hyacinthe (CA); **Pierre Vignau**, Montreal (CA)
- (73) Assignee: **Bombardier Motor Corporation of America**, Grant, FL (US)
- (\*\*) Term: **14 Years**
- (21) Appl. No.: **29/183,424**
- (22) Filed: **Jun. 12, 2003**

**Related U.S. Application Data**

- (62) Division of application No. 29/175,384, filed on Feb. 4, 2003, which is a continuation of application No. 29/159,706, filed on Apr. 26, 2002, now Pat. No. Des. 474,784.
- (51) **LOC (7) Cl.** ..... **12-16**
- (52) **U.S. Cl.** ..... **D15/4**
- (58) **Field of Search** ..... D15/1-5; 440/3-6, 440/52, 88; 123/495; 290/43-46, 54

(56) **References Cited**

**U.S. PATENT DOCUMENTS**

- D412,911 S 8/1999 Iekura
- D418,519 S 1/2000 Iekura

(List continued on next page.)

**OTHER PUBLICATIONS**

- <http://www.evinrude.com/evinrude/web/jsp/mainPage.jsp?Params=N.US.200001.0>, Copyright 2001.
- <http://www.evinrude.com/evinrude/web/jsp/mainPage.jsp?Params=N.US.200002.0>, Copyright 2001.
- <http://www.evinrude.com/evinrude/web/jsp/mainPage.jsp?Params=N.US.200003.0>, Copyright 2001.
- <http://www.evinrude.com/evinrude/web/jsp/mainPage.jsp?Params=N.US.200004.0>, Copyright 2001.
- <http://www.johnson.com/Johnson/web/jsp/mainPage.jsp?Params=N.US.200008.0>, Copyright 2001.
- <http://www.johnson.com/Johnson/web/jsp/mainPage.jsp?Params=N.US.200009.0>, Copyright 2001.

- <http://www.johnson.com/Johnson/web/jsp/mainPage.jsp?Params=N.US.200001.0>, Copyright 2001.
- <http://www.johnson.com/Johnson/web/jsp/mainPage.jsp?Params=N.US.200002.0>, Copyright 2001.
- <http://www.johnson.com/Johnson/web/jsp/mainPage.jsp?Params=N.US.200004.0>, Copyright 2001.
- <http://www.johnson.com/Johnson/web/jsp/mainPage.jsp?Params=N.US.200005.0>, Copyright 2001.
- <http://www.hondabf225.com/bf225.htm>, Copyright 2000.
- <http://www.honda-marine.com/bf225.htm>, Copyright 2000.
- <http://www.honda-marine.com/bf130.htm>, Copyright 2000.
- <http://www.honda-marine.com/bf90.htm>, Copyright 2000.
- <http://www.honda-marine.com/bf50.htm>, Copyright 2000.
- <http://www.honda-marine.com/bf40.htm>, Copyright 2000.
- <http://www.honda-marine.com/bf30.htm>, Copyright 2000.
- <http://www.honda-marine.com/bf15.htm>, Copyright 2000.
- <http://www.honda-marine.com/bf9.9.htm>, Copyright 2000.
- <http://www.honda-marine.com/bf8.htm>, Copyright 2000.
- <http://www.honda-marine.com/bf5.htm>, Copyright 2000.

(List continued on next page.)

*Primary Examiner*—Melody N. Brown  
(74) *Attorney, Agent, or Firm*—Pillsbury Winthrop LLP

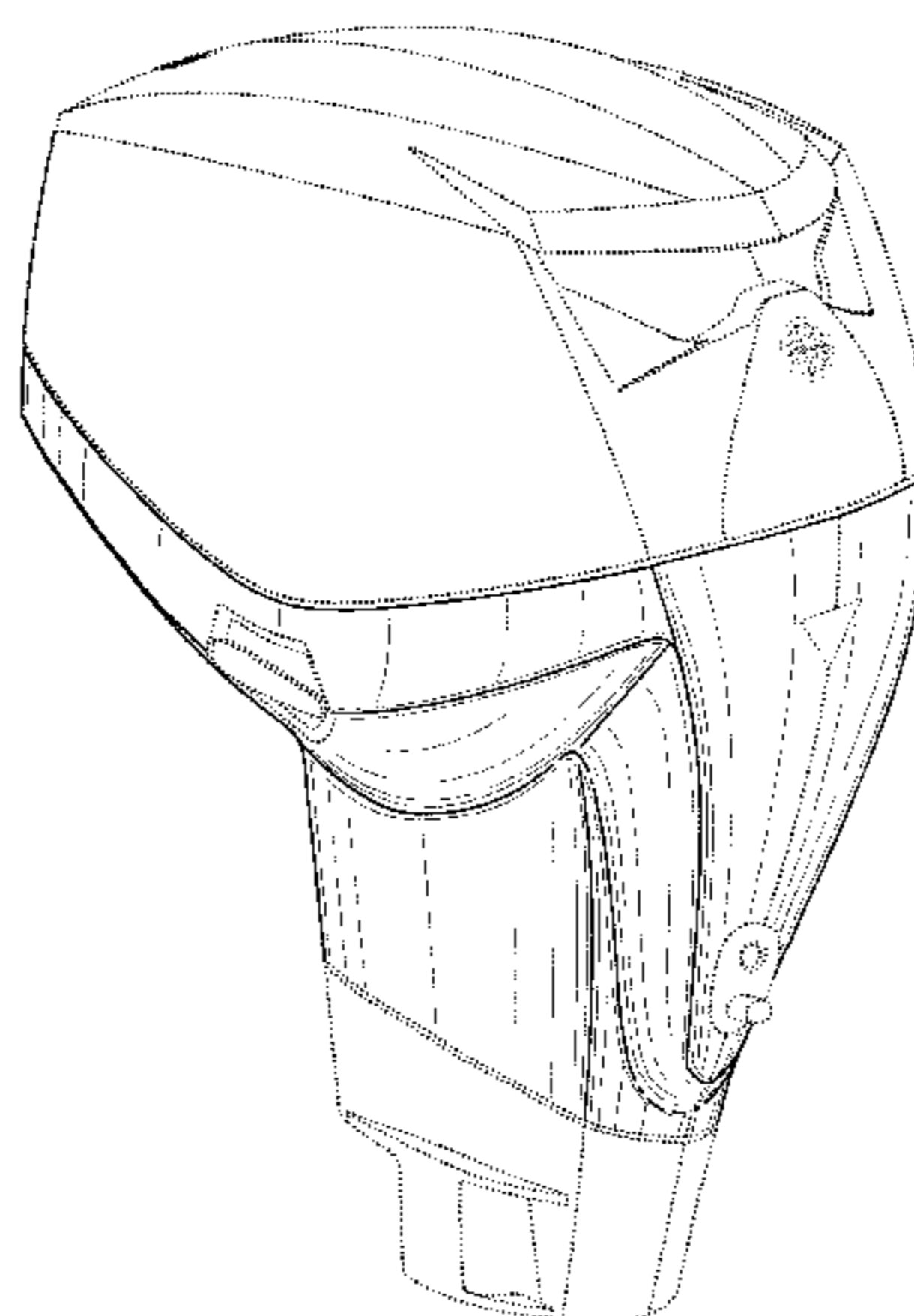
(57) **CLAIM**

The ornamental design for an element of a cowling, as shown and described.

**DESCRIPTION**

FIG. 1 is a perspective view, from the rear, left side, of an element of a cowling of our design;  
FIG. 2 is a perspective view thereof, from the front, left side;  
FIG. 3 is a front view thereof;  
FIG. 4 is a rear view thereof; and,  
FIG. 5 is a left side view thereof, the right side view being a mirror image.  
Where included, broken lines showing environment or structure are for illustrative purposes only and form no part of the claimed design.

**1 Claim, 4 Drawing Sheets**



## U.S. PATENT DOCUMENTS

D422,599 S 4/2000 Iekura  
 D428,616 S 7/2000 Iekura  
 D453,772 S \* 2/2002 Burmeister et al. .... D15/4  
 D457,166 S 5/2002 Burmeister et al.  
 D458,273 S 6/2002 Burmeister et al.  
 D463,448 S 9/2002 Osumi et al.  
 D474,784 S \* 5/2003 Sanschagrin et al. .... D15/4

## OTHER PUBLICATIONS

<http://www.honda-marine.com/bf2.htm>, Copyright 2000.

[http://www.mercurymarine.com/cgi-bin/mercprod/MercuryHome/Templates/DotComTemplate.jsp?BV\\_\\_UseBVCookie=no&ParentID=null&page\\_id=643&ProdID=23306&Area=Saltwater%20OptilMax&BV\\_\\_SessionID=@@@@0551736409.1035904509@@@@&BV\\_\\_EngineID=hadcfhklffejbedcfececf.0](http://www.mercurymarine.com/cgi-bin/mercprod/MercuryHome/Templates/DotComTemplate.jsp?BV__UseBVCookie=no&ParentID=null&page_id=643&ProdID=23306&Area=Saltwater%20OptilMax&BV__SessionID=@@@@0551736409.1035904509@@@@&BV__EngineID=hadcfhklffejbedcfececf.0), Copyright 2002.

[http://www.mercurymarine.com/cgi-bin/mercprod/MercuryHome/Templates/DotComTemplate.jsp?BV\\_\\_UseBVCookie=no&ParentID=null&page\\_id=643&ProdID=23306&Area=Saltwater%20OptilMax&CurSpecPos=2&BV\\_\\_SessionID=@@@@0551736409.1035904509@@@@&BV\\_\\_EngineID=hadcfhklffejbedcfececf.0](http://www.mercurymarine.com/cgi-bin/mercprod/MercuryHome/Templates/DotComTemplate.jsp?BV__UseBVCookie=no&ParentID=null&page_id=643&ProdID=23306&Area=Saltwater%20OptilMax&CurSpecPos=2&BV__SessionID=@@@@0551736409.1035904509@@@@&BV__EngineID=hadcfhklffejbedcfececf.0), Copyright 2002.

[http://www.mercurymarine.com/cgi-bin/mercprod/MercuryHome/Templates/DotComTemplate.jsp?BV\\_\\_UseBVCookie=no&ParentID=null&page\\_id=643&ProdID=23306&Area=Saltwater%20OptilMax&CurSpecPos=3&BV\\_\\_SessionID=@@@@0551736409.1035904509@@@@&BV\\_\\_EngineID=hadcfhklffejbedcfececf.0](http://www.mercurymarine.com/cgi-bin/mercprod/MercuryHome/Templates/DotComTemplate.jsp?BV__UseBVCookie=no&ParentID=null&page_id=643&ProdID=23306&Area=Saltwater%20OptilMax&CurSpecPos=3&BV__SessionID=@@@@0551736409.1035904509@@@@&BV__EngineID=hadcfhklffejbedcfececf.0), Copyright 2002.

[http://www.mercurymarine.com/cgi-bin/mercprod/MercuryHome/Templates/DotComTemplate.jsp?BV\\_\\_UseBVCookie=no&ParentID=null&page\\_id=643&ProdID=23328&Area=Saltwater%20Carb&BV\\_\\_SessionID=@@@@0551736409.1035904509@@@@&BV\\_\\_EngineID=hadcfhklffejbedcfececf.0](http://www.mercurymarine.com/cgi-bin/mercprod/MercuryHome/Templates/DotComTemplate.jsp?BV__UseBVCookie=no&ParentID=null&page_id=643&ProdID=23328&Area=Saltwater%20Carb&BV__SessionID=@@@@0551736409.1035904509@@@@&BV__EngineID=hadcfhklffejbedcfececf.0), Copyright 2002.

[http://www.mercurymarine.com/cgi-bin/mercprod/MercuryHome/Templates/DotComTemplate.jsp?BV\\_\\_UseBVCookie=no&ParentID=null&page\\_id=643&ProdID=23328&Area=Saltwater%20Carb&CurSpecPos=2&BV\\_\\_SessionID=@@@@0551736409.1035904509@@@@&BV\\_\\_EngineID=hadcfhklffejbedcfececf.0](http://www.mercurymarine.com/cgi-bin/mercprod/MercuryHome/Templates/DotComTemplate.jsp?BV__UseBVCookie=no&ParentID=null&page_id=643&ProdID=23328&Area=Saltwater%20Carb&CurSpecPos=2&BV__SessionID=@@@@0551736409.1035904509@@@@&BV__EngineID=hadcfhklffejbedcfececf.0), Copyright 2002.

[http://www.mercurymarine.com/cgi-bin/mercprod/MercuryHome/Templates/DotComTemplate.jsp?BV\\_\\_UseBVCookie=no&ParentID=null&page\\_id=643&ProdID=23571&Area=Portable%20FourStroke&BV\\_\\_SessionID=@@@@0551736409.1035904509@@@@&BV\\_\\_EngineID=hadcfhklffejbedcfececf.0](http://www.mercurymarine.com/cgi-bin/mercprod/MercuryHome/Templates/DotComTemplate.jsp?BV__UseBVCookie=no&ParentID=null&page_id=643&ProdID=23571&Area=Portable%20FourStroke&BV__SessionID=@@@@0551736409.1035904509@@@@&BV__EngineID=hadcfhklffejbedcfececf.0), Copyright 2002.

[http://www.mercurymarine.com/cgi-bin/mercprod/MercuryHome/Templates/DotComTemplate.jsp?BV\\_\\_UseBVCookie=no&ParentID=null&page\\_id=643&ProdID=23571&Area=Portable%20FourStroke&CurSpecPos=1&BV\\_\\_SessionID=@@@@0551736409.1035904509@@@@&BV\\_\\_EngineID=hadcfhklffejbedcfececf.0](http://www.mercurymarine.com/cgi-bin/mercprod/MercuryHome/Templates/DotComTemplate.jsp?BV__UseBVCookie=no&ParentID=null&page_id=643&ProdID=23571&Area=Portable%20FourStroke&CurSpecPos=1&BV__SessionID=@@@@0551736409.1035904509@@@@&BV__EngineID=hadcfhklffejbedcfececf.0), Copyright 2002.

[http://www.mercurymarine.com/cgi-bin/mercprod/MercuryHome/Templates/DotComTemplate.jsp?BV\\_\\_UseBVCookie=no&ParentID=null&page\\_id=643&ProdID=23571&Area=Portable%20FourStroke&CurSpecPos=3&BV\\_\\_SessionID=@@@@0551736409.1035904509@@@@&BV\\_\\_EngineID=hadcfhklffejbedcfececf.0](http://www.mercurymarine.com/cgi-bin/mercprod/MercuryHome/Templates/DotComTemplate.jsp?BV__UseBVCookie=no&ParentID=null&page_id=643&ProdID=23571&Area=Portable%20FourStroke&CurSpecPos=3&BV__SessionID=@@@@0551736409.1035904509@@@@&BV__EngineID=hadcfhklffejbedcfececf.0), Copyright 2002.

[http://www.mercurymarine.com/cgi-bin/mercprod/MercuryHome/Templates/DotComTemplate.jsp?BV\\_\\_UseBVCookie=no&ParentID=null&page\\_id=643&ProdID=23210&Area=30%20-%20125%20hp&CurSpecpos=4&BV\\_\\_SessionID=@@@@0551736409.1035904509@@@@&BV\\_\\_EngineID=hadcfhklffejbedcfececf.0](http://www.mercurymarine.com/cgi-bin/mercprod/MercuryHome/Templates/DotComTemplate.jsp?BV__UseBVCookie=no&ParentID=null&page_id=643&ProdID=23210&Area=30%20-%20125%20hp&CurSpecpos=4&BV__SessionID=@@@@0551736409.1035904509@@@@&BV__EngineID=hadcfhklffejbedcfececf.0), Copyright 2002.

[http://www.mercurymarine.com/cgi-bin/mercprod/MercuryHome/Templates/DotComTemplate.jsp?BV\\_\\_UseBVCookie=no&ParentID=null&page\\_id=643&ProdID=23570&Area=Big%20Foot%20FourStroke&BV\\_\\_SessionID=@@@@0551736409.1035904509@@@@&BV\\_\\_EngineID=hadcfhklffejbedcfececf.0](http://www.mercurymarine.com/cgi-bin/mercprod/MercuryHome/Templates/DotComTemplate.jsp?BV__UseBVCookie=no&ParentID=null&page_id=643&ProdID=23570&Area=Big%20Foot%20FourStroke&BV__SessionID=@@@@0551736409.1035904509@@@@&BV__EngineID=hadcfhklffejbedcfececf.0), Copyright 2002.

[http://www.mercurymarine.com/cgi-bin/mercprod/MercuryHome/Templates/DotComTemplate.jsp?BV\\_\\_UseBVCookie=no&ParentID=null&page\\_id=643&ProdID=23570&Area=Big%20Foot%20FourStroke&CurSpecPos=1&BV\\_\\_SessionID=@@@@0551736409.1035904509@@@@&BV\\_\\_EngineID=hadcfhklffejbedcfececf.0](http://www.mercurymarine.com/cgi-bin/mercprod/MercuryHome/Templates/DotComTemplate.jsp?BV__UseBVCookie=no&ParentID=null&page_id=643&ProdID=23570&Area=Big%20Foot%20FourStroke&CurSpecPos=1&BV__SessionID=@@@@0551736409.1035904509@@@@&BV__EngineID=hadcfhklffejbedcfececf.0), Copyright 2002.

[http://www.mercurymarine.com/cgi-bin/mercprod/MercuryHome/Templates/DotComTemplate.jsp?BV\\_\\_UseBVCookie=no&ParentID=null&page\\_id=643&ProdID=23570&Area=Big%20Foot%20FourStroke&CurSpecPos=3&BV\\_\\_SessionID=@@@@0551736409.1035904509@@@@&BV\\_\\_EngineID=hadcfhklffejbedcfececf.0](http://www.mercurymarine.com/cgi-bin/mercprod/MercuryHome/Templates/DotComTemplate.jsp?BV__UseBVCookie=no&ParentID=null&page_id=643&ProdID=23570&Area=Big%20Foot%20FourStroke&CurSpecPos=3&BV__SessionID=@@@@0551736409.1035904509@@@@&BV__EngineID=hadcfhklffejbedcfececf.0), Copyright 2002.

[http://www.mercurymarine.com/cgi-bin/mercprod/MercuryHome/Templates/DotComTemplate.jsp?BV\\_\\_UseBVCookie=no&ParentID=null&page\\_id=643&ProdID=23570&Area=Big%20Foot%20FourStroke&CurSpecPos=4&BV\\_\\_SessionID=@@@@0551736409.1035904509@@@@&BV\\_\\_EngineID=hadcfhklffejbedcfececf.0](http://www.mercurymarine.com/cgi-bin/mercprod/MercuryHome/Templates/DotComTemplate.jsp?BV__UseBVCookie=no&ParentID=null&page_id=643&ProdID=23570&Area=Big%20Foot%20FourStroke&CurSpecPos=4&BV__SessionID=@@@@0551736409.1035904509@@@@&BV__EngineID=hadcfhklffejbedcfececf.0), Copyright 2002.

[http://www.mercurymarine.com/cgi-bin/mercprod/MercuryHome/Templates/DotComTemplate.jsp?BV\\_\\_UseBVCookie=no&ParentID=null&page\\_id=643&ProdID=23194&Area=V-6%20EFI&BV\\_\\_SessionID=@@@@0551736409.1035904509@@@@&BV\\_\\_EngineID=hadcfhklffejbedcfececf.0](http://www.mercurymarine.com/cgi-bin/mercprod/MercuryHome/Templates/DotComTemplate.jsp?BV__UseBVCookie=no&ParentID=null&page_id=643&ProdID=23194&Area=V-6%20EFI&BV__SessionID=@@@@0551736409.1035904509@@@@&BV__EngineID=hadcfhklffejbedcfececf.0), Copyright 2002.

[http://www.mercurymarine.com/cgi-bin/mercprod/MercuryHome/Templates/DotComTemplate.jsp?BV\\_\\_UseBVCookie=no&ParentID=218&page\\_id=643&ProdID=23194&Area=V-6%20EFI&BV\\_\\_SessionID=@@@@0551736409.1035904509@@@@&BV\\_\\_EngineID=hadcfhklffejbedcfececf.0](http://www.mercurymarine.com/cgi-bin/mercprod/MercuryHome/Templates/DotComTemplate.jsp?BV__UseBVCookie=no&ParentID=218&page_id=643&ProdID=23194&Area=V-6%20EFI&BV__SessionID=@@@@0551736409.1035904509@@@@&BV__EngineID=hadcfhklffejbedcfececf.0), Copyright 2002.

[http://www.mercurymarine.com/cgi-bin/mercprod/MercuryHome/Templates/DotComTemplate.jsp?BV\\_\\_UseBVCookie=no&ParentID=null&page\\_id=643&ProdID=23194&Area=V-6%20EFI&CurSpecpos=4&BV\\_\\_SessionID=@@@@0551736409.1035904509@@@@&BV\\_\\_EngineID=hadcfhklffejbedcfececf.0](http://www.mercurymarine.com/cgi-bin/mercprod/MercuryHome/Templates/DotComTemplate.jsp?BV__UseBVCookie=no&ParentID=null&page_id=643&ProdID=23194&Area=V-6%20EFI&CurSpecpos=4&BV__SessionID=@@@@0551736409.1035904509@@@@&BV__EngineID=hadcfhklffejbedcfececf.0), Copyright 2002.

[http://www.mercurymarine.com/cgi-bin/mercprod/MercuryHome/Templates/DotComTemplate.jsp?BV\\_\\_UseBVCookie=no&ParentID=null&page\\_id=643&ProdID=23210&Area=30%20-%20125%20hp&CurSpecpos=4&BV\\_\\_SessionID=@@@@0551736409.1035904509@@@@&BV\\_\\_EngineID=hadcfhklffejbedcfececf.0](http://www.mercurymarine.com/cgi-bin/mercprod/MercuryHome/Templates/DotComTemplate.jsp?BV__UseBVCookie=no&ParentID=null&page_id=643&ProdID=23210&Area=30%20-%20125%20hp&CurSpecpos=4&BV__SessionID=@@@@0551736409.1035904509@@@@&BV__EngineID=hadcfhklffejbedcfececf.0), Copyright 2002.

[http://www.mercurymarine.com/cgi-bin/mercprod/MercuryHome/Templates/DotComTemplate.jsp?BV\\_\\_UseBVCookie=no&ParentID=218&page\\_id=643&ProdID=23246&Area=6%20-%2025%20hp&BV\\_\\_SessionID=@@@@0551736409.1035904509@@@@&BV\\_\\_EngineID=hadcfhklffejbedcfececf.0](http://www.mercurymarine.com/cgi-bin/mercprod/MercuryHome/Templates/DotComTemplate.jsp?BV__UseBVCookie=no&ParentID=218&page_id=643&ProdID=23246&Area=6%20-%2025%20hp&BV__SessionID=@@@@0551736409.1035904509@@@@&BV__EngineID=hadcfhklffejbedcfececf.0), Copyright 2002.

[http://www.mercurymarine.com/cgi-bin/mercprod/MercuryHome/Templates/DotComTemplate.jsp?BV\\_UseBVCookie=no&ParentID=null&page\\_id=643&ProdID=23246&Area=6%20-%2025%20hp&CurSpecpos=4&BV\\_SessionID=@@@@0551736409.1035904509@@@@&BV\\_EngineID=hadcfhklffejbedcfececfj.0](http://www.mercurymarine.com/cgi-bin/mercprod/MercuryHome/Templates/DotComTemplate.jsp?BV_UseBVCookie=no&ParentID=null&page_id=643&ProdID=23246&Area=6%20-%2025%20hp&CurSpecpos=4&BV_SessionID=@@@@0551736409.1035904509@@@@&BV_EngineID=hadcfhklffejbedcfececfj.0), Copyright 2002.

[http://www.mercurymarine.com/cgi-bin/mercprod/MercuryHome/Templates/DotComTemplate.jsp?BV\\_UseBVCookie=no&ParentID=218&page\\_id=643&ProdID=23259&Area=2.5%20-%205%20hp&BV\\_SessionID=@@@@0551736409.1035904509@@@@&BV\\_EngineID=hadcfhklffejbedcfececfj.0](http://www.mercurymarine.com/cgi-bin/mercprod/MercuryHome/Templates/DotComTemplate.jsp?BV_UseBVCookie=no&ParentID=218&page_id=643&ProdID=23259&Area=2.5%20-%205%20hp&BV_SessionID=@@@@0551736409.1035904509@@@@&BV_EngineID=hadcfhklffejbedcfececfj.0), Copyright 2002.

[http://www.mercurymarine.com/cgi-bin/mercprod/MercuryHome/Templates/DotComTemplate.jsp?BV\\_UseBVCookie=no&ParentID=null&page\\_id=643&ProdID=23259&Area=2.5%20-%205%20hp&CurSpecpos=2&BV\\_SessionID=@@@@0551736409.1035904509@@@@&BV\\_EngineID=hadcfhklffejbedcfececfj.0](http://www.mercurymarine.com/cgi-bin/mercprod/MercuryHome/Templates/DotComTemplate.jsp?BV_UseBVCookie=no&ParentID=null&page_id=643&ProdID=23259&Area=2.5%20-%205%20hp&CurSpecpos=2&BV_SessionID=@@@@0551736409.1035904509@@@@&BV_EngineID=hadcfhklffejbedcfececfj.0), Copyright 2002.

[http://www.mercurymarine.com/cgi-bin/mercprod/MercuryHome/Templates/DotComTemplate.jsp?BV\\_UseBVCookie=no&ParentID=null&page\\_id=643&ProdID=23569&Area=Area-Mid-Range%20FourStroke&BV\\_SessionID=@@@@0551736409.1035904509@@@@&BV\\_EngineID=hadcfhklffejbedcfececfj.0](http://www.mercurymarine.com/cgi-bin/mercprod/MercuryHome/Templates/DotComTemplate.jsp?BV_UseBVCookie=no&ParentID=null&page_id=643&ProdID=23569&Area=Area-Mid-Range%20FourStroke&BV_SessionID=@@@@0551736409.1035904509@@@@&BV_EngineID=hadcfhklffejbedcfececfj.0), Copyright 2002.

[http://www.mercurymarine.com/cgi-bin/mercprod/MercuryHome/Templates/DotComTemplate.jsp?BV\\_UseBVCookie=no&ParentID=null&page\\_id=643&ProdID=23569&Area=Mid-Range%20FourStroke&CurSpecPos=6&BV\\_SessionID=@@@@0551736409.1035904509@@@@&BV\\_EngineID=hadcfhklffejbedcfececfj.0](http://www.mercurymarine.com/cgi-bin/mercprod/MercuryHome/Templates/DotComTemplate.jsp?BV_UseBVCookie=no&ParentID=null&page_id=643&ProdID=23569&Area=Mid-Range%20FourStroke&CurSpecPos=6&BV_SessionID=@@@@0551736409.1035904509@@@@&BV_EngineID=hadcfhklffejbedcfececfj.0), Copyright 2002.

[http://www.mercurymarine.com/cgi-bin/mercprod/MercuryHome/Templates/DotComTemplate.jsp?BV\\_UseBVCookie=no&ParentID=218&page\\_id=643&ProdID=23259&Area=2.5%20-205%20hp&BV\\_SessionID=@@@@0551736409.1035904509@@@@&BV\\_EngineID=hadcfhklffejbedcfececfj.0](http://www.mercurymarine.com/cgi-bin/mercprod/MercuryHome/Templates/DotComTemplate.jsp?BV_UseBVCookie=no&ParentID=218&page_id=643&ProdID=23259&Area=2.5%20-205%20hp&BV_SessionID=@@@@0551736409.1035904509@@@@&BV_EngineID=hadcfhklffejbedcfececfj.0), Copyright 2002.

[http://www.mercurymarine.com/cgi-bin/mercprod/MercuryHome/Templates/DotComTemplate.jsp?BV\\_UseBVCookie=no&ParentID=null&page\\_id=643&ProdID=23259&Area=2.5%20-%205%20hp&CurSpecpos=2&BV\\_SessionID=@@@@0551736409.1035904509@@@@&BV\\_EngineID=hadcfhklffejbedcfececfj.0](http://www.mercurymarine.com/cgi-bin/mercprod/MercuryHome/Templates/DotComTemplate.jsp?BV_UseBVCookie=no&ParentID=null&page_id=643&ProdID=23259&Area=2.5%20-%205%20hp&CurSpecpos=2&BV_SessionID=@@@@0551736409.1035904509@@@@&BV_EngineID=hadcfhklffejbedcfececfj.0), Copyright 2002.

[http://www.mercurymarine.com/cgi-bin/mercprod/MercuryHome/Templates/DotComTemplate.jsp?BV\\_UseBVCookie=no&ParentID=null&page\\_id=648&ProdID=23685&Area=Performance%20Outboards&CurSpecPos=4&BV\\_SessionID=@@@@0551736409.1035904509@@@@&BV\\_EngineID=hadcfhklffejbedcfececfj.0](http://www.mercurymarine.com/cgi-bin/mercprod/MercuryHome/Templates/DotComTemplate.jsp?BV_UseBVCookie=no&ParentID=null&page_id=648&ProdID=23685&Area=Performance%20Outboards&CurSpecPos=4&BV_SessionID=@@@@0551736409.1035904509@@@@&BV_EngineID=hadcfhklffejbedcfececfj.0), Copyright 2002.

[http://www.mercurymarine.com/cgi-bin/mercprod/MercuryHome/Templates/DotComTemplate.jsp?BV\\_UseBVCookie=no&ParentID=202&page\\_id=648&ProdID=23705&Area=Race%20Outboards&BV\\_SessionID=@@@@0551736409.1035904509@@@@&BV\\_EngineID=hadcfhklffejbedcfececfj.0](http://www.mercurymarine.com/cgi-bin/mercprod/MercuryHome/Templates/DotComTemplate.jsp?BV_UseBVCookie=no&ParentID=202&page_id=648&ProdID=23705&Area=Race%20Outboards&BV_SessionID=@@@@0551736409.1035904509@@@@&BV_EngineID=hadcfhklffejbedcfececfj.0), Copyright 2002.

[http://www.mercurymarine.com/cgi-bin/mercprod/MercuryHome/Templates/DotComTemplate.jsp?BV\\_UseBVCookie=no&ParentID=null&page\\_id=648&ProdID=23705&Area=Race%20Outboards&CurSpecPos=1&BV\\_SessionID=@@@@0551736409.1035904509@@@@&BV\\_EngineID=hadcfhklffejbedcfececfj.0](http://www.mercurymarine.com/cgi-bin/mercprod/MercuryHome/Templates/DotComTemplate.jsp?BV_UseBVCookie=no&ParentID=null&page_id=648&ProdID=23705&Area=Race%20Outboards&CurSpecPos=1&BV_SessionID=@@@@0551736409.1035904509@@@@&BV_EngineID=hadcfhklffejbedcfececfj.0), Copyright 2002.

<http://www.yamaha-motor.com/products/subcatinfo.asp?lid=5&1c=otb&cid=19&scid=1&year=2003&cat=Four+Stroke+Series&scat=High+Power>, Copyright 1996-2002.

<http://www.yamaha-motor.com/products/subcatinfo.asp?lid=5&1c=otb&cid=19&scid=2&year=2003&cat=Four+Stroke+Series&scat=Midrange>, Copyright 1996-2002.

<http://www.yamaha-motor.com/products/subcatinfo.asp?lid=5&1c=otb&cid=19&scid=3&year=2003&cat=Four+Stroke+Series&scat=Jet+Drive>, Copyright 1996-2002.

<http://www.yamaha-motor.com/products/subcatinfo.asp?lid=5&1c=otb&cid=19&scid=4&year=2003&cat=Four+Stroke+Series&scat=High+Thrust>, Copyright 1996-2002.

<http://www.yamaha-motor.com/products/subcatinfo.asp?lid=5&1c=otb&cid=19&scid=5&year=2003&cat=Four+Stroke+Series&scat=Portable>, Copyright 1996-2002.

<http://www.yamaha-motor.com/products/subcatinfo.asp?lid=5&1c=otb&cid=19&scid=11&year=2003&cat=HPDI+Series>, Copyright 1996-2002.

<http://www.yamaha-motor.com/products/subcatinfo.asp?lid=5&1c=otb&cid=18&scid=7&year=2003&cat=V+MAX+Series&scat=HPDI>, Copyright 1996-2002.

<http://www.yamaha-motor.com/products/subcatinfo.asp?lid=5&1c=otb&cid=18&scid=6&year=2003&cat=V+MAX+Series&scat=3%EIL+Big+Block>, Copyright 1996-2002.

<http://www.yamaha-motor.com/products/subcatinfo.asp?lid=5&1c=otb&cid=18&scid=8&year=2003&cat=V+MAX+Series&scat=2%E6L+OX66+%2F+Carb>, Copyright 1996-2002.

<http://www.yamaha-motor.com/products/subcatinfo.asp?lid=5&1c=otb&cid=20&scid=12&year=2003&cat=Two+Stroke+Series&scat=OX66=Saltwater=Series+II>, Copyright 1996-2002.

<http://www.yamaha-motor.com/products/subcatinfo.asp?lid=5&1c=otb&cid=20&scid=9&year=2003&cat=Two+Stroke+Series&scat=High+Power>, Copyright 1996-2002.

<http://www.yamaha-motor.com/products/subcatinfo.asp?lid=5&1c=otb&cid=20&scid=10&year=2003&cat=Two+Stroke+Series&scat=Midrange>, Copyright 1996-2002.

<http://www.yamaha-motor.com/products/subcatinfo.asp?lid=5&1c=otb&cid=20&scid=11&year=2003&cat=Two+Stroke+Series&scat=Portable>, Copyright 1996-2002.

<http://www.suzukimarine.com/4strokes/index.html>, Copyright 1996-2002.

<http://www.suzukimarine.com/2strokes/index.html>, Copyright 1996-2002.

<http://www.suzukimarine.com/sr00/info/frshore.htm>, Copyright 1996-2000.

<http://www.suzukimarine.com/sr00/mid.htm>, Copyright 1996-2000.

<http://www.suzukimarine.com/sr00/mid4s.htm>, Copyright  
1996–2000.

<http://www.suzukimarine.com/sr00/info/port.htm>, Copy-  
right 1996–2000.

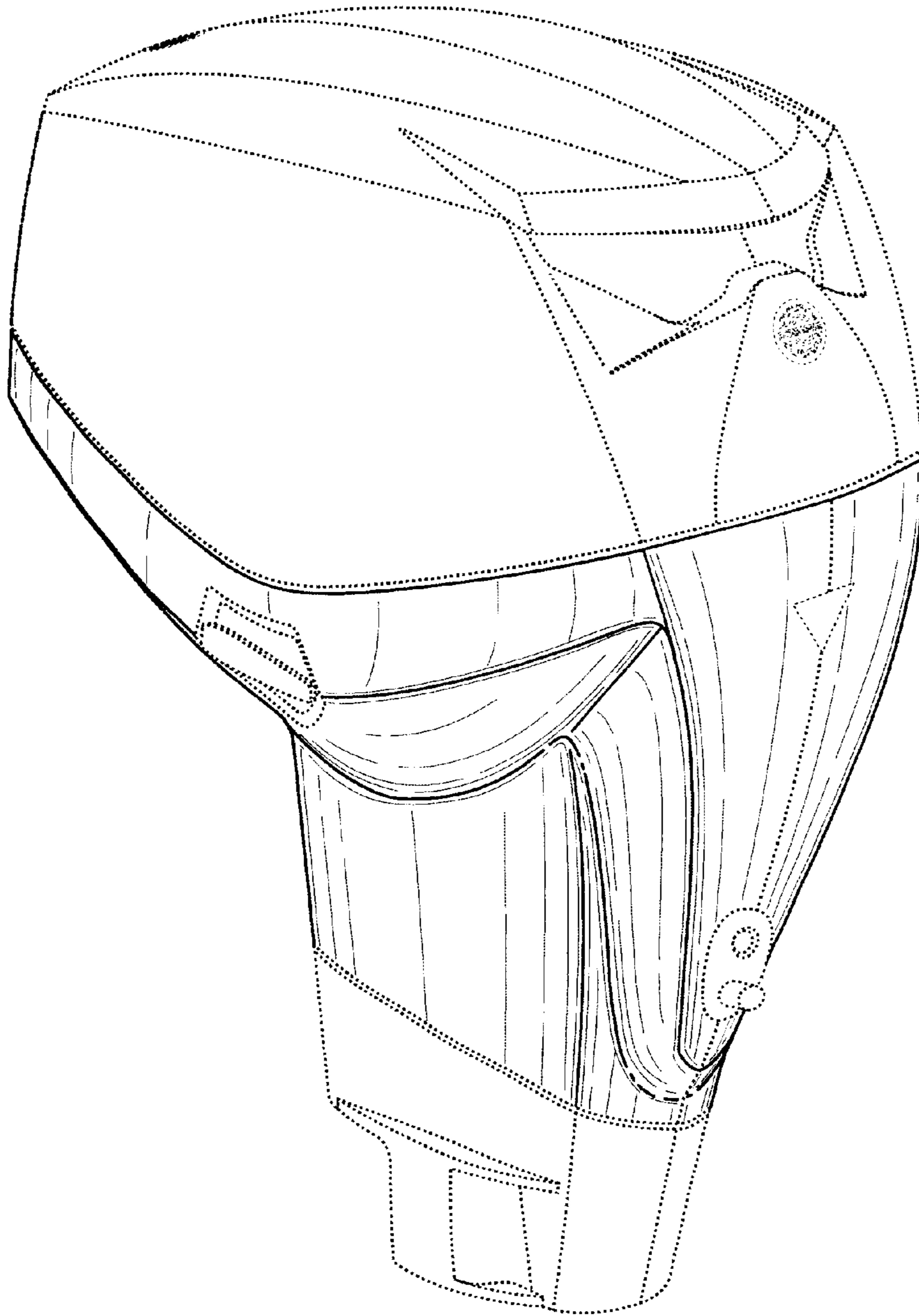
<http://www.suzukimarine.com/sr00/info/frperf.htm>, Copy-  
right 1996–2000.

<http://www.suzukimarine.com/sr97/comp.htm>, Copyright  
1996/97.

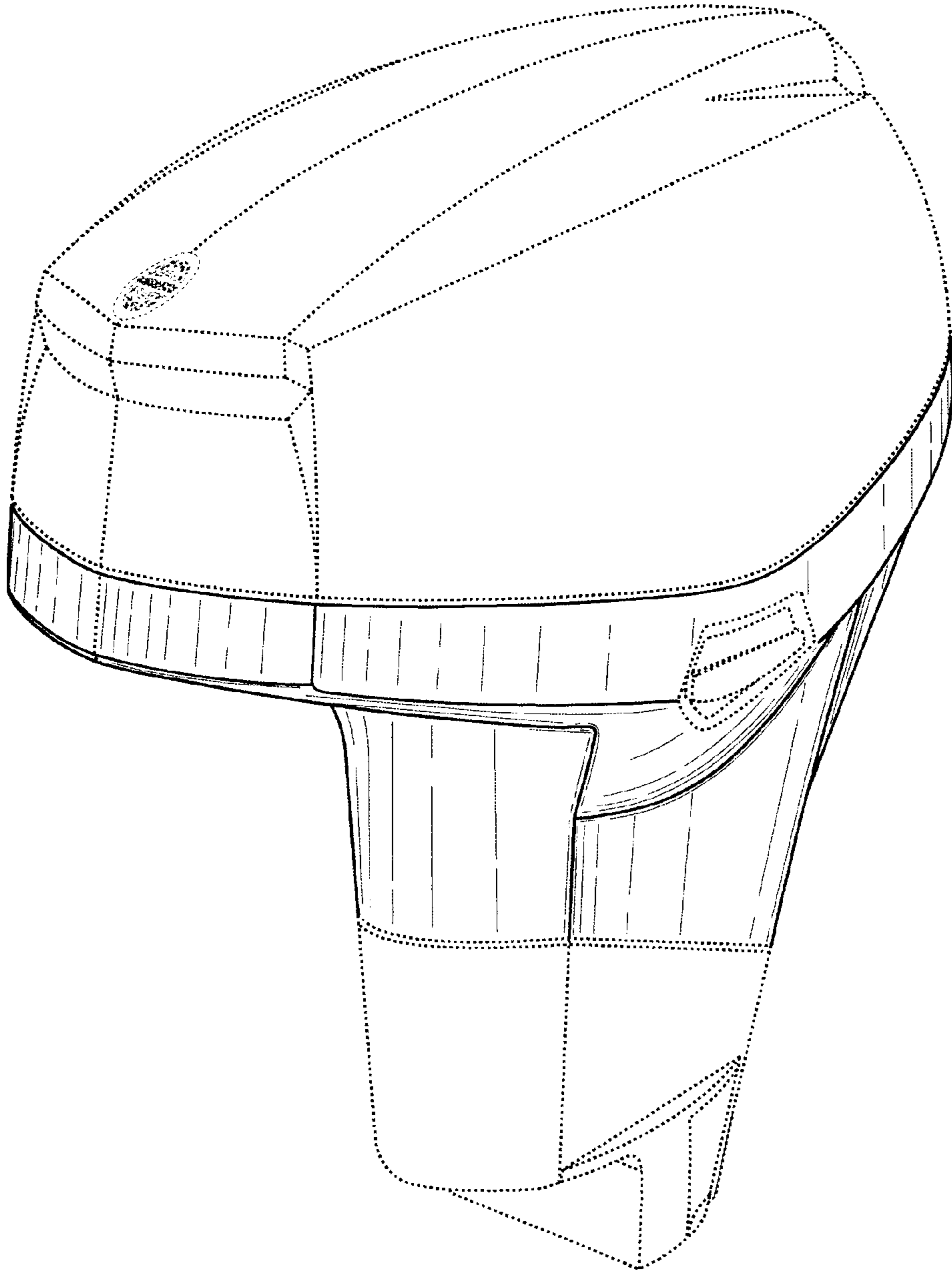
<http://www.suzukimarine.com/sr97/port.htm>, Copyright  
1996–97.

<http://www.suzukimarine.com/sr97/fstrok.htm>, Copyright  
1996–97.

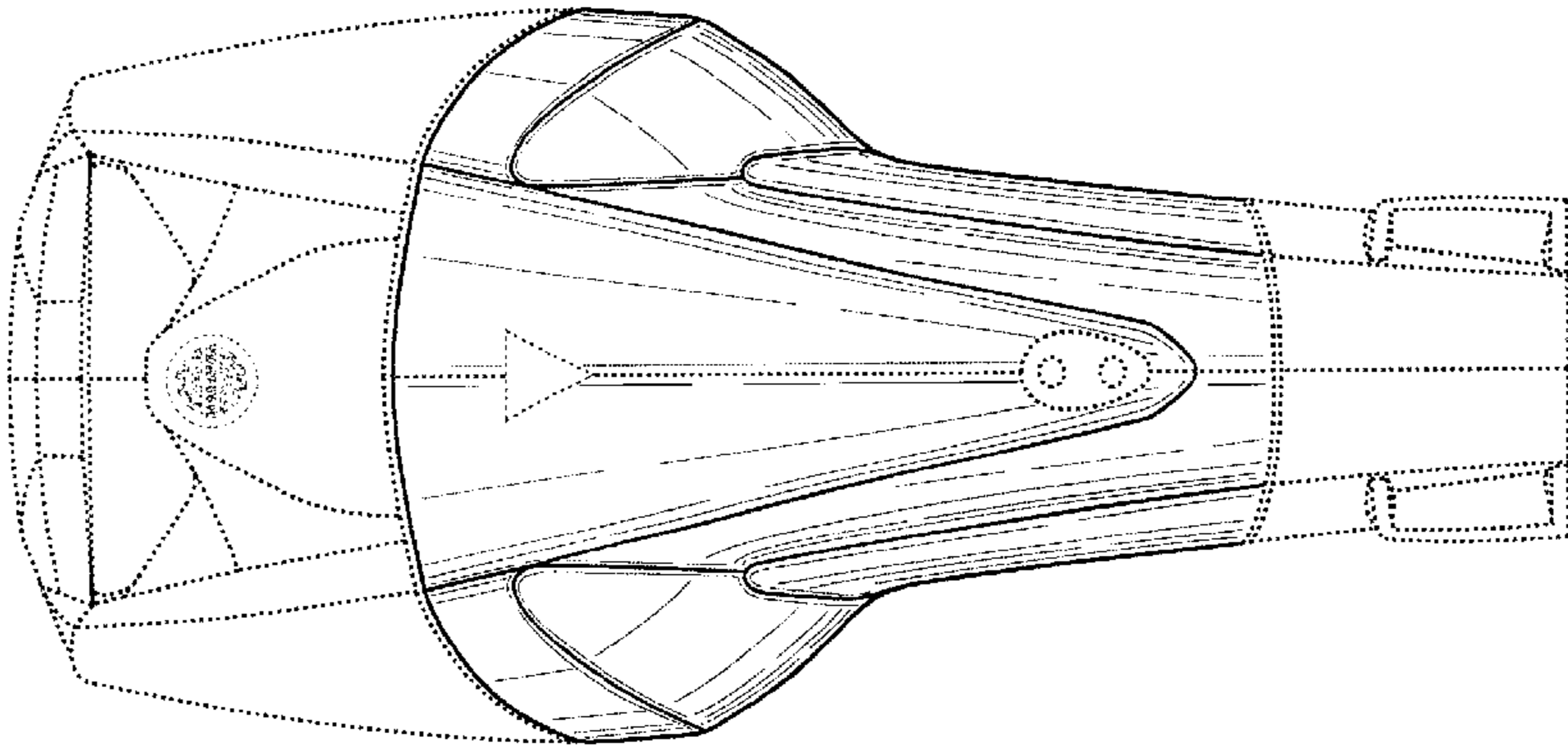
\* cited by examiner-



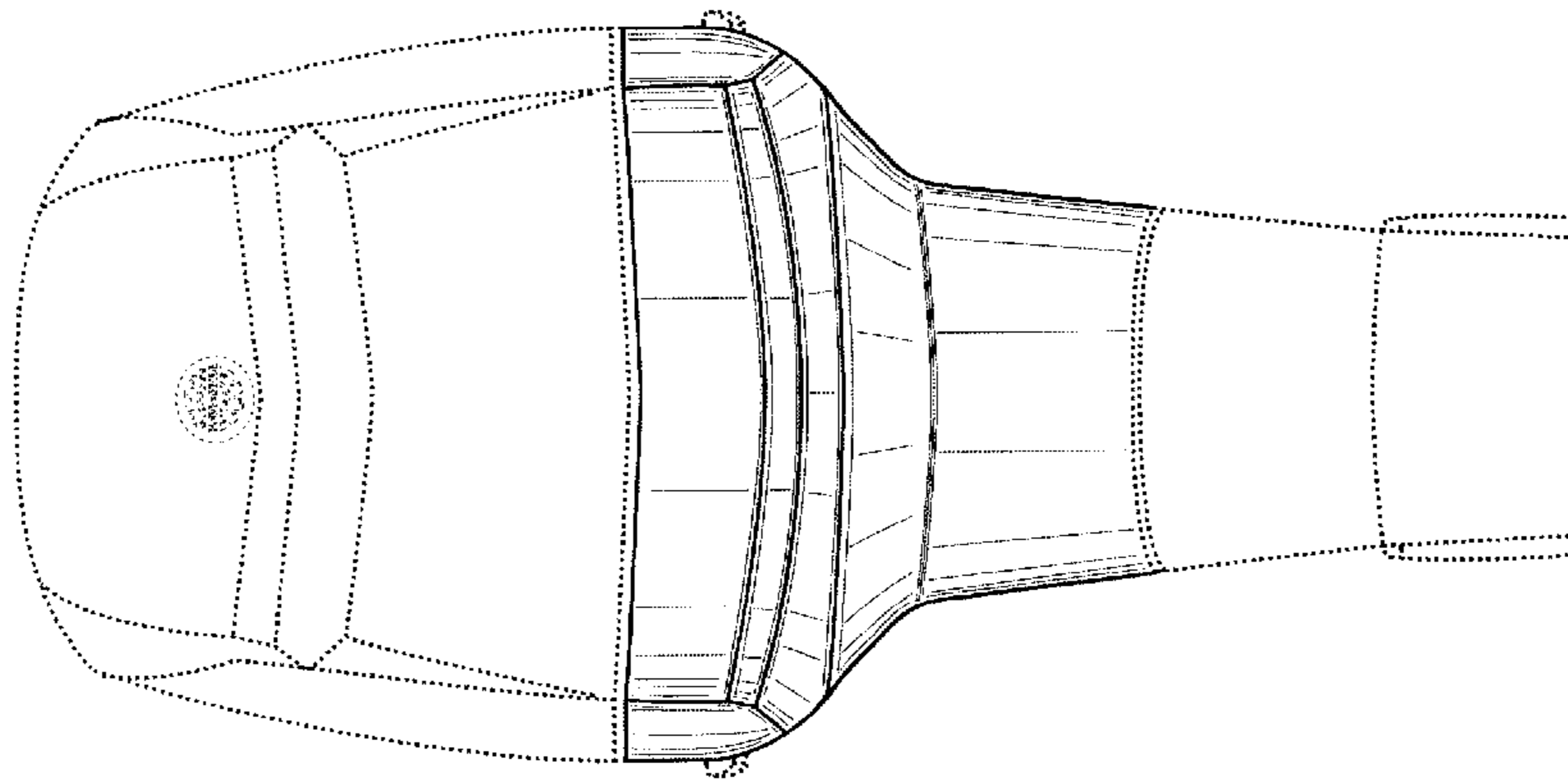
**FIG. 1**



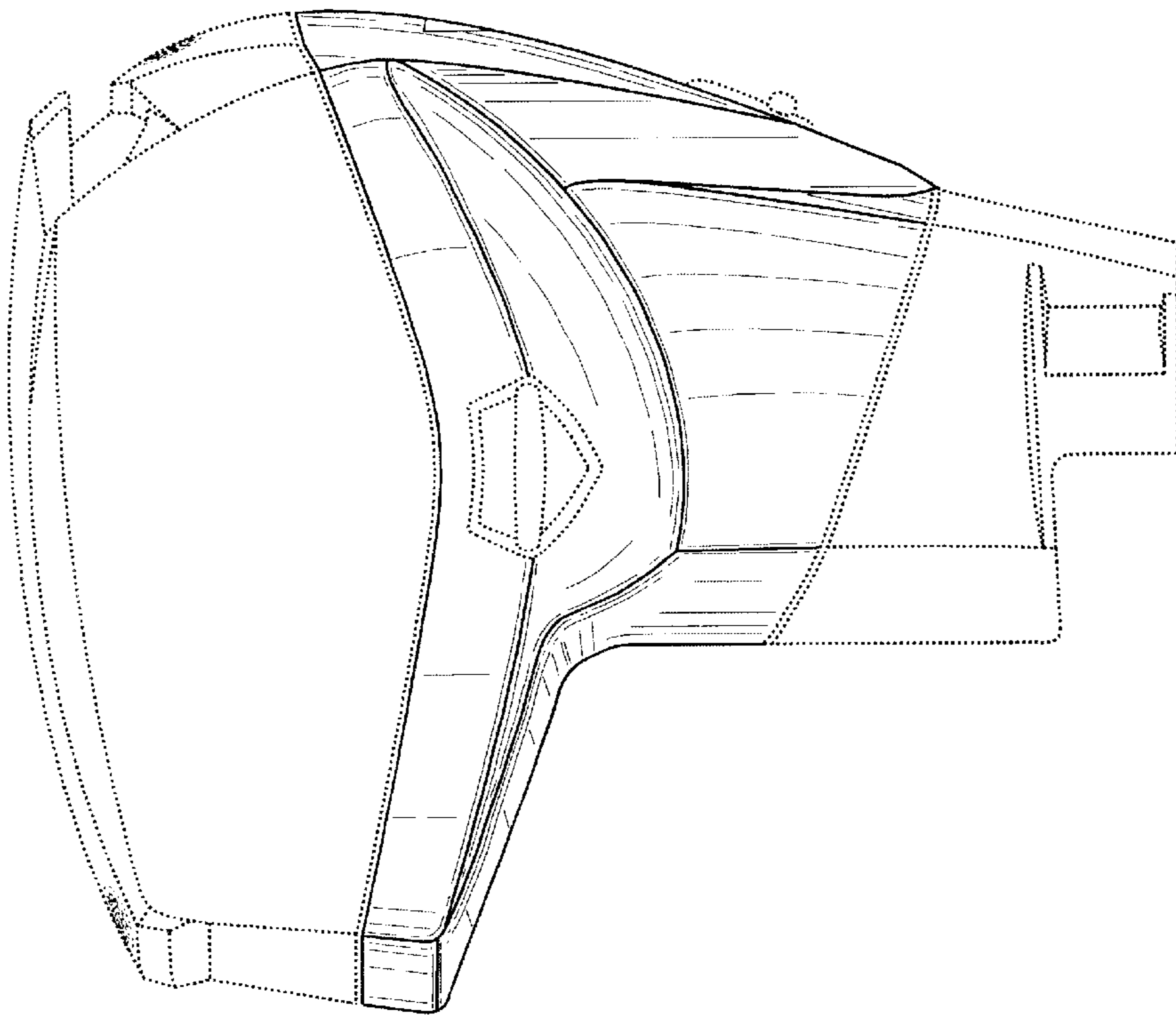
**FIG. 2**



**FIG. 4**



**FIG. 3**



**FIG. 5**