



US00D485845S

(12) **United States Design Patent**
Burmeister

(10) **Patent No.:** **US D485,845 S**

(45) **Date of Patent:** **** Jan. 27, 2004**

(54) **FRONT PANEL COMPRISING A CARD-SLOT**

(75) Inventor: **Kay Burmeister**, Altenberge (DE)

(73) Assignee: **National Rejectors, Inc. GmbH**,
Buxtehude (DE)

(**) Term: **14 Years**

(21) Appl. No.: **29/179,583**

(22) Filed: **Apr. 11, 2003**

Related U.S. Application Data

(62) Division of application No. 29/127,335, filed on Aug. 3, 2000, now Pat. No. Des. 467,249.

(30) **Foreign Application Priority Data**

Feb. 3, 2000 (WO) DM/051 043

(51) **LOC (7) Cl.** **14-02**

(52) **U.S. Cl.** **D14/444**

(58) **Field of Search** D14/441-446,
D14/383-385; D13/162, 184, 199, 164,
177; 312/223.2; 361/600, 622, 724-728;
D20/1, 8, 28, 43; 194/350, 351, 353; 235/33;
705/18, 35

(56) **References Cited**

U.S. PATENT DOCUMENTS

D324,212 S * 2/1992 Garmon et al. D14/442
D347,834 S * 6/1994 Garmon et al. D14/446
D362,248 S * 9/1995 Marotti et al. D14/442
5,508,501 A * 4/1996 Fujimoto et al. 235/441

D409,988 S * 5/1999 Otis et al. D14/441
D431,824 S * 10/2000 Nagele et al. D14/443
D467,249 S * 12/2002 Burmeister D14/444

* cited by examiner

Primary Examiner—Freda Nunn

(74) *Attorney, Agent, or Firm*—Vidas, Arrett & Steinkraus,
P.A.

(57) **CLAIM**

The ornamental design for the front panel comprising a card-slot, as shown and described.

DESCRIPTION

FIG. 1 is a front view of a front panel comprising a card slot showing my new design;

FIG. 2 is a left side view of the first embodiment thereof;

FIG. 3 is a right side view of the first embodiment thereof;

FIG. 4 is a rear side view of the first embodiment thereof;

FIG. 5 is a top side view of the first embodiment thereof;

FIG. 6 is a bottom side view of the first embodiment

FIG. 7 is a front view of a second embodiment of a front panel comprising a card slot showing my new design;

FIG. 8 is a left side view of the second embodiment thereof;

FIG. 9 is a right side view of the second embodiment thereof;

FIG. 10 is a rear side view of the second embodiment thereof;

FIG. 11 is a top side view of the second embodiment thereof;

and,

FIG. 12 is a bottom side view of the second embodiment thereof.

1 Claim, 2 Drawing Sheets

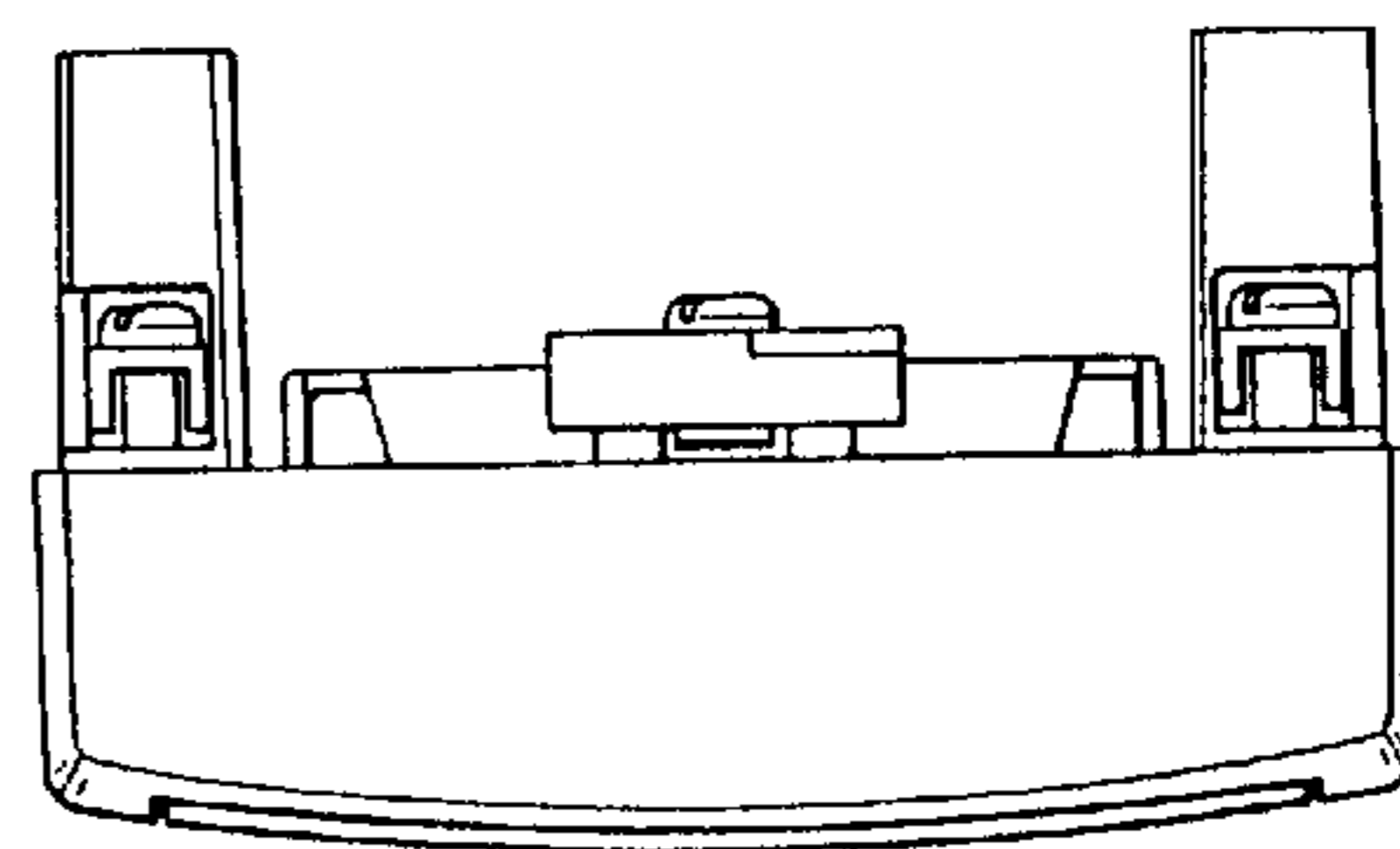
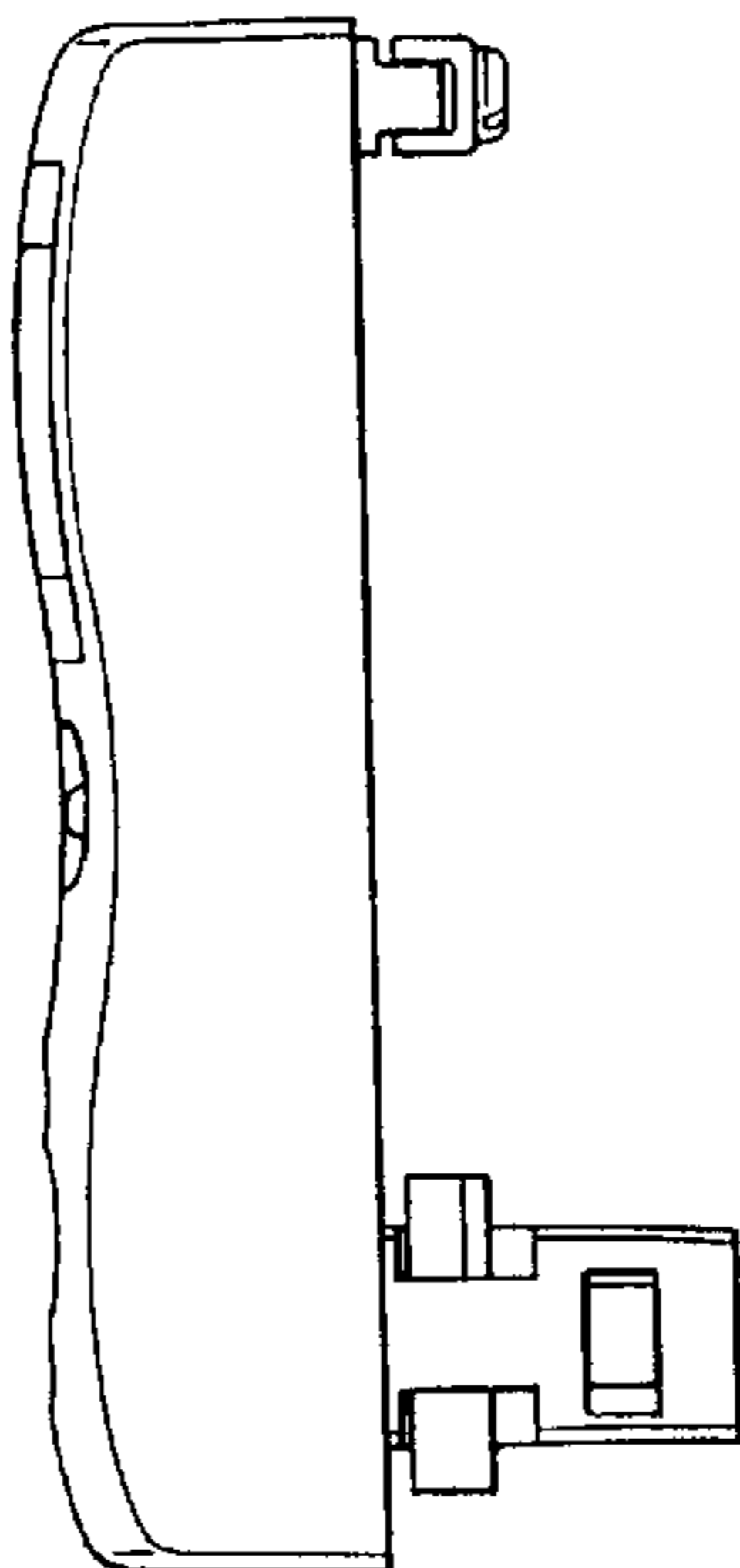
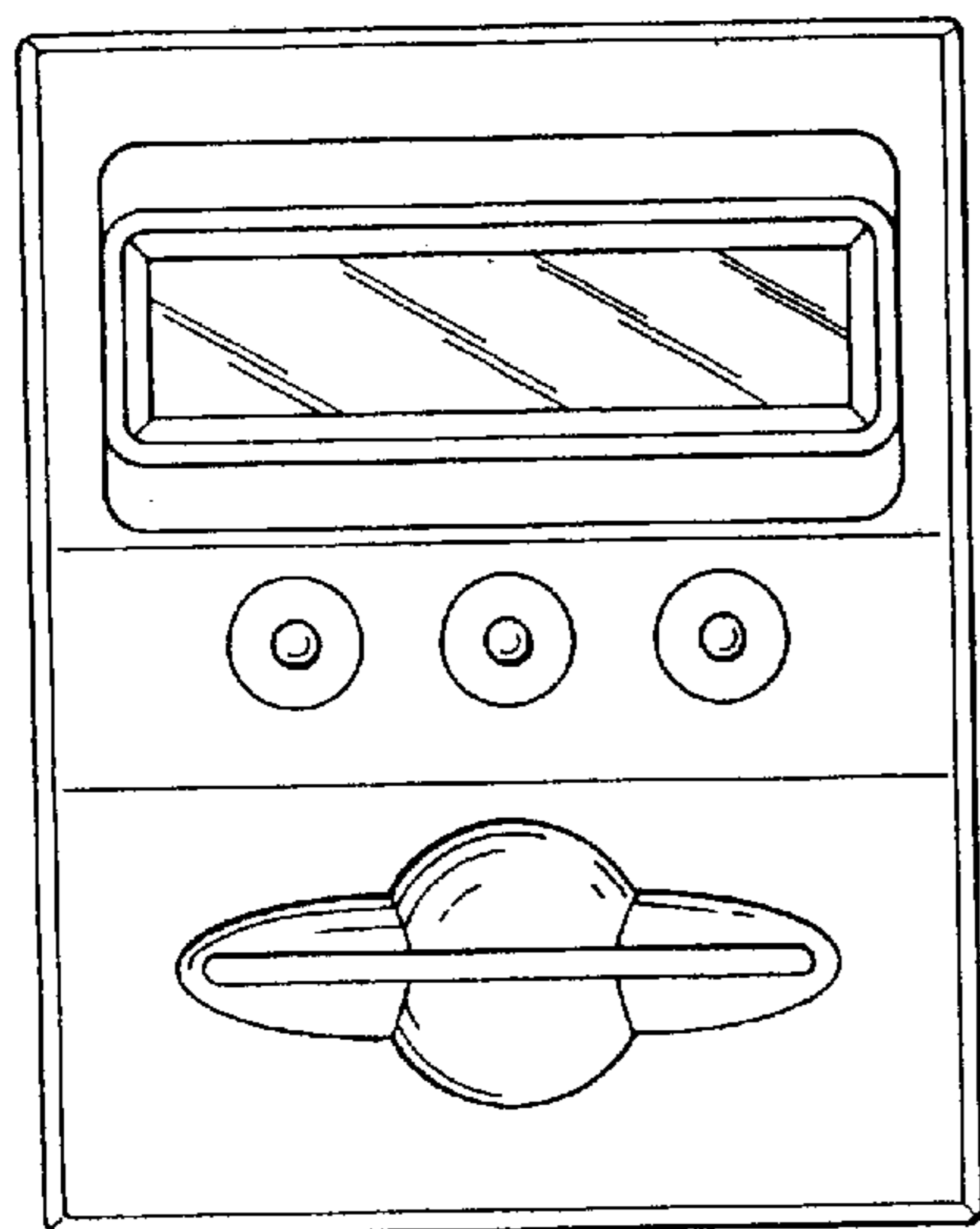


Fig. 6

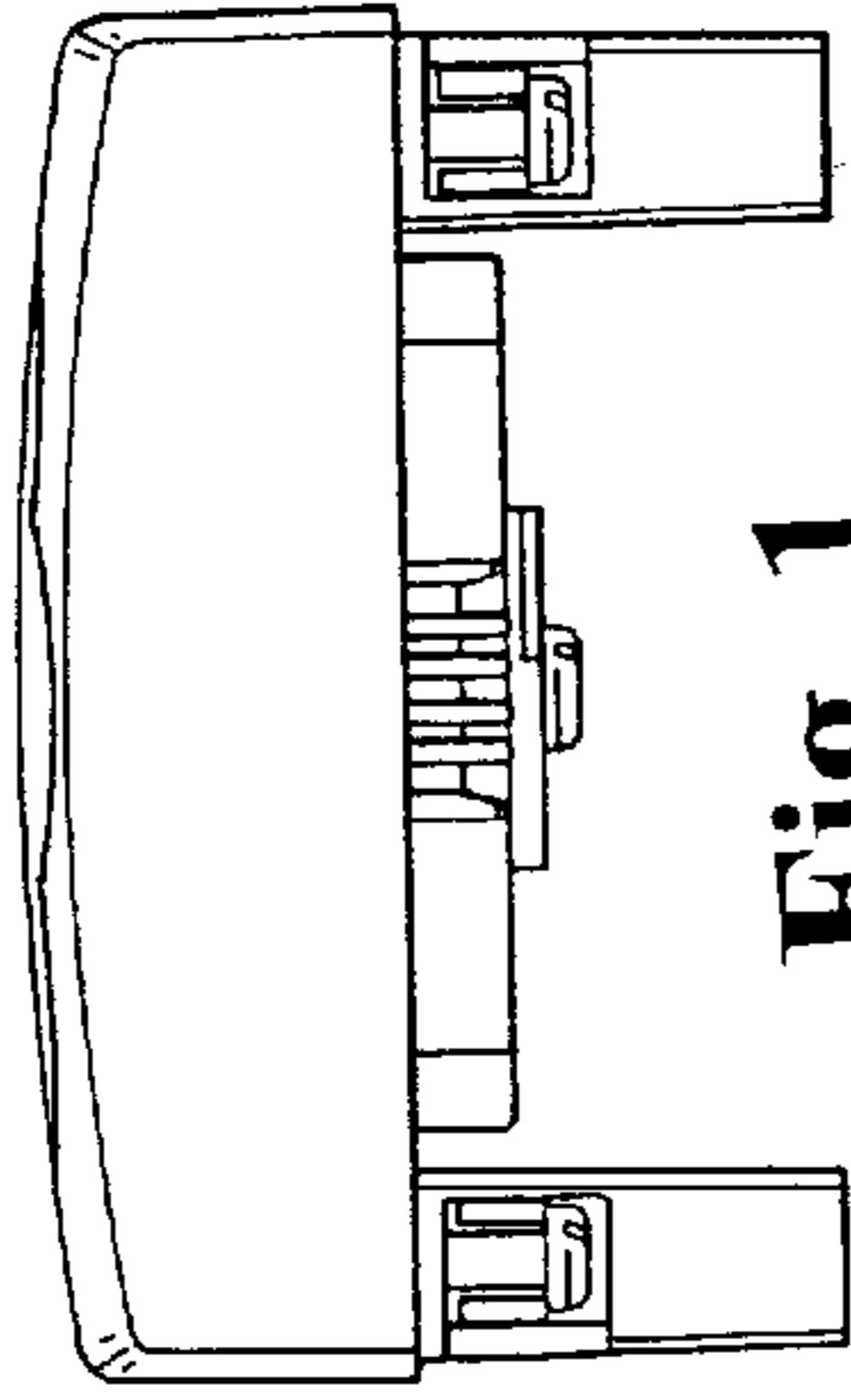


Fig. 1

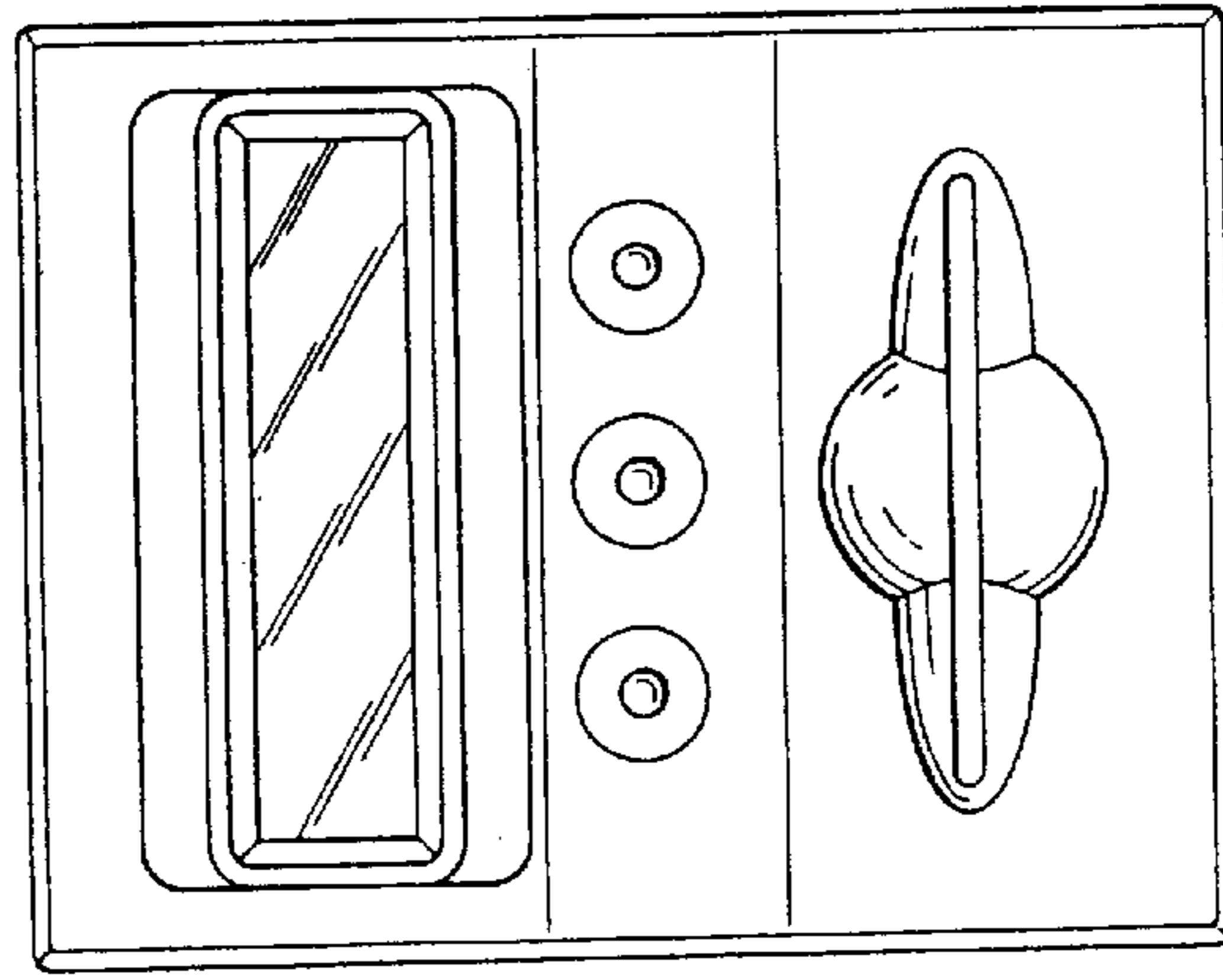


Fig. 3

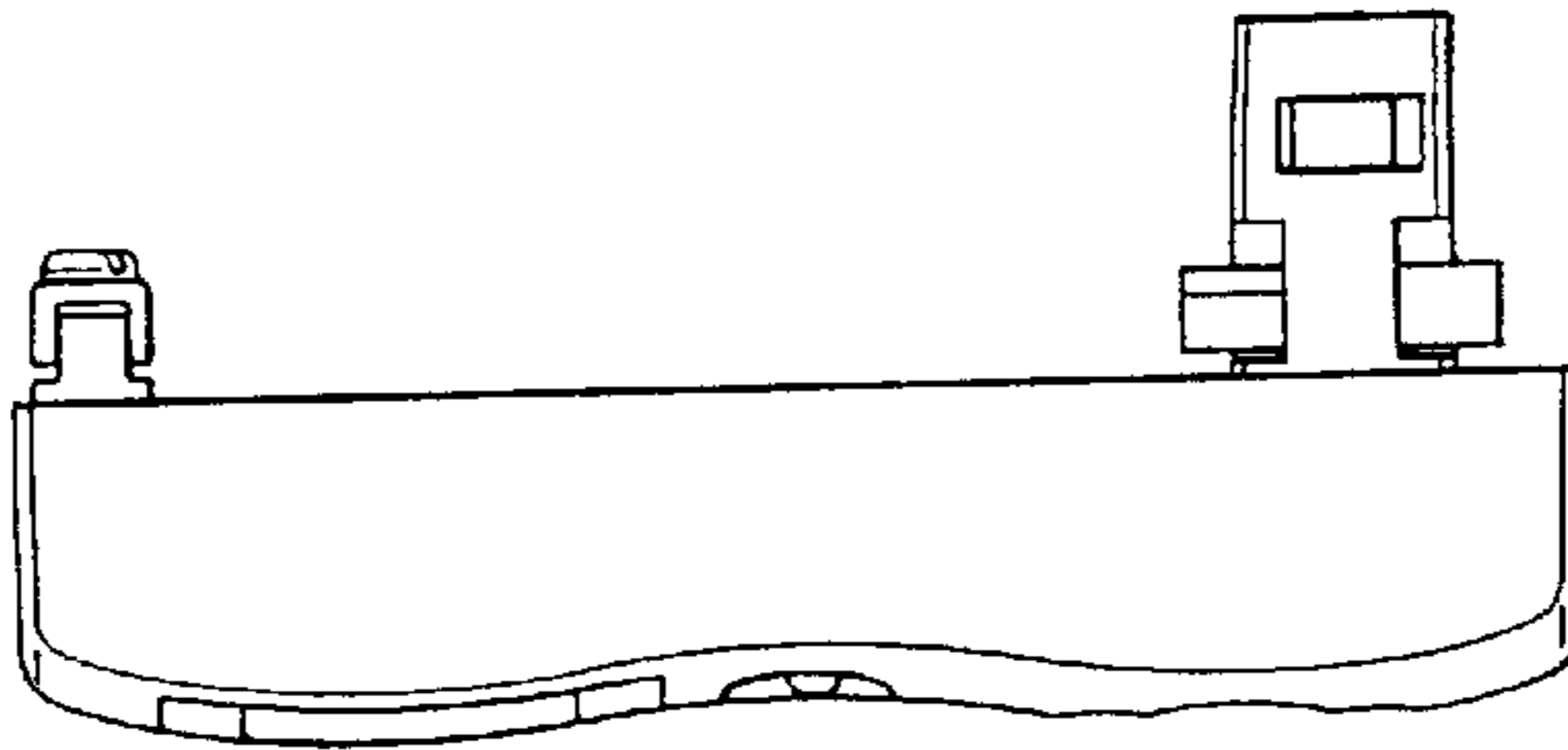


Fig. 4

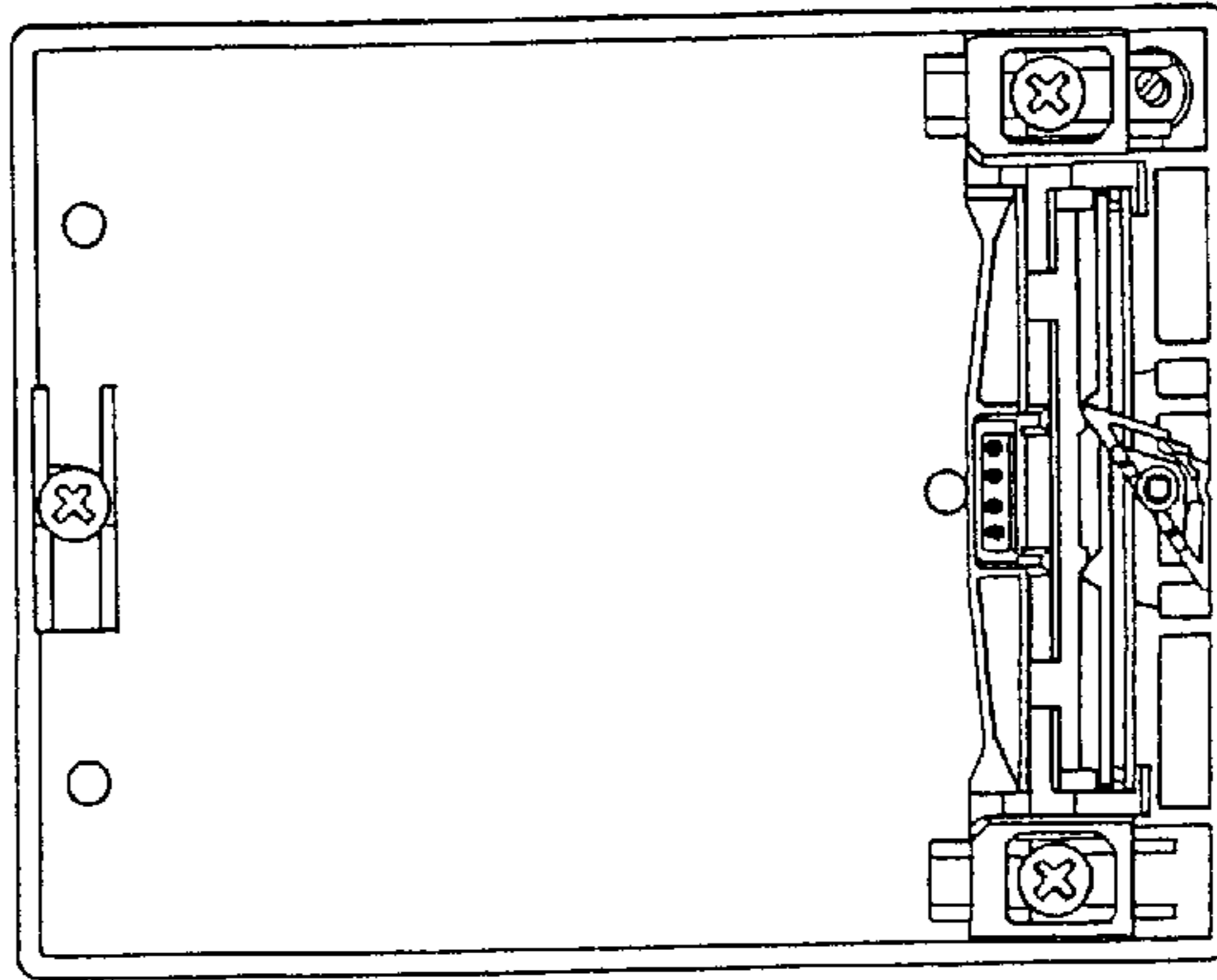


Fig. 2

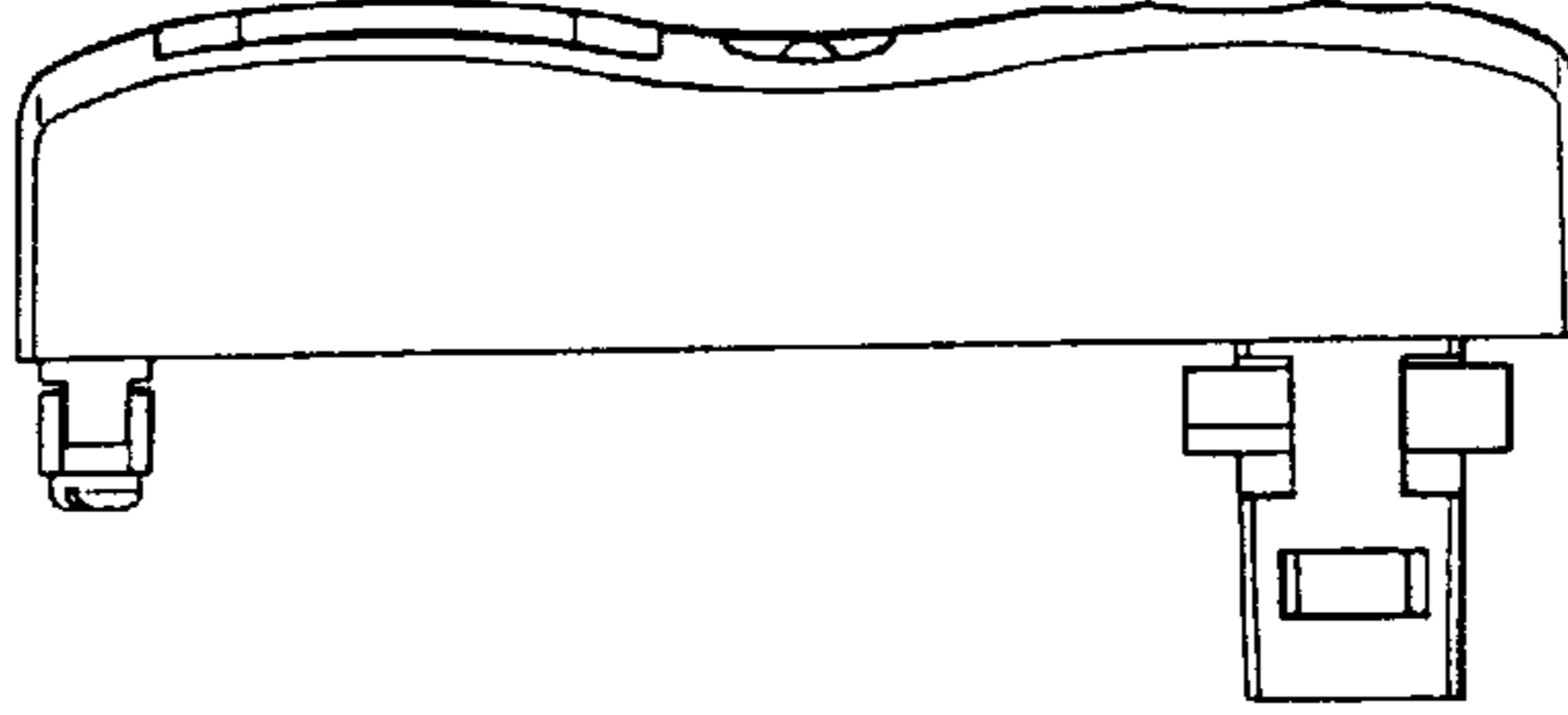


Fig. 5

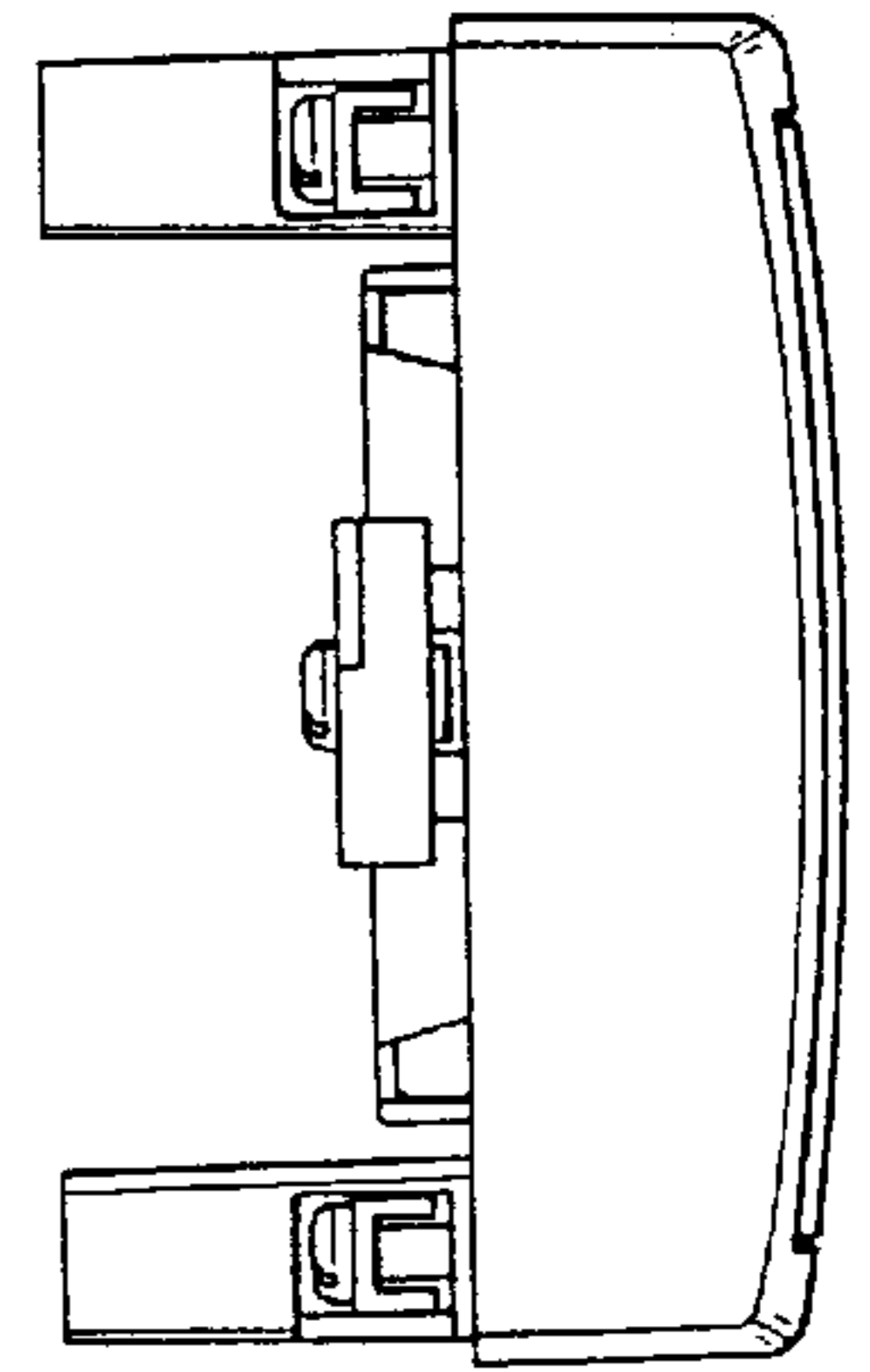


Fig. 12

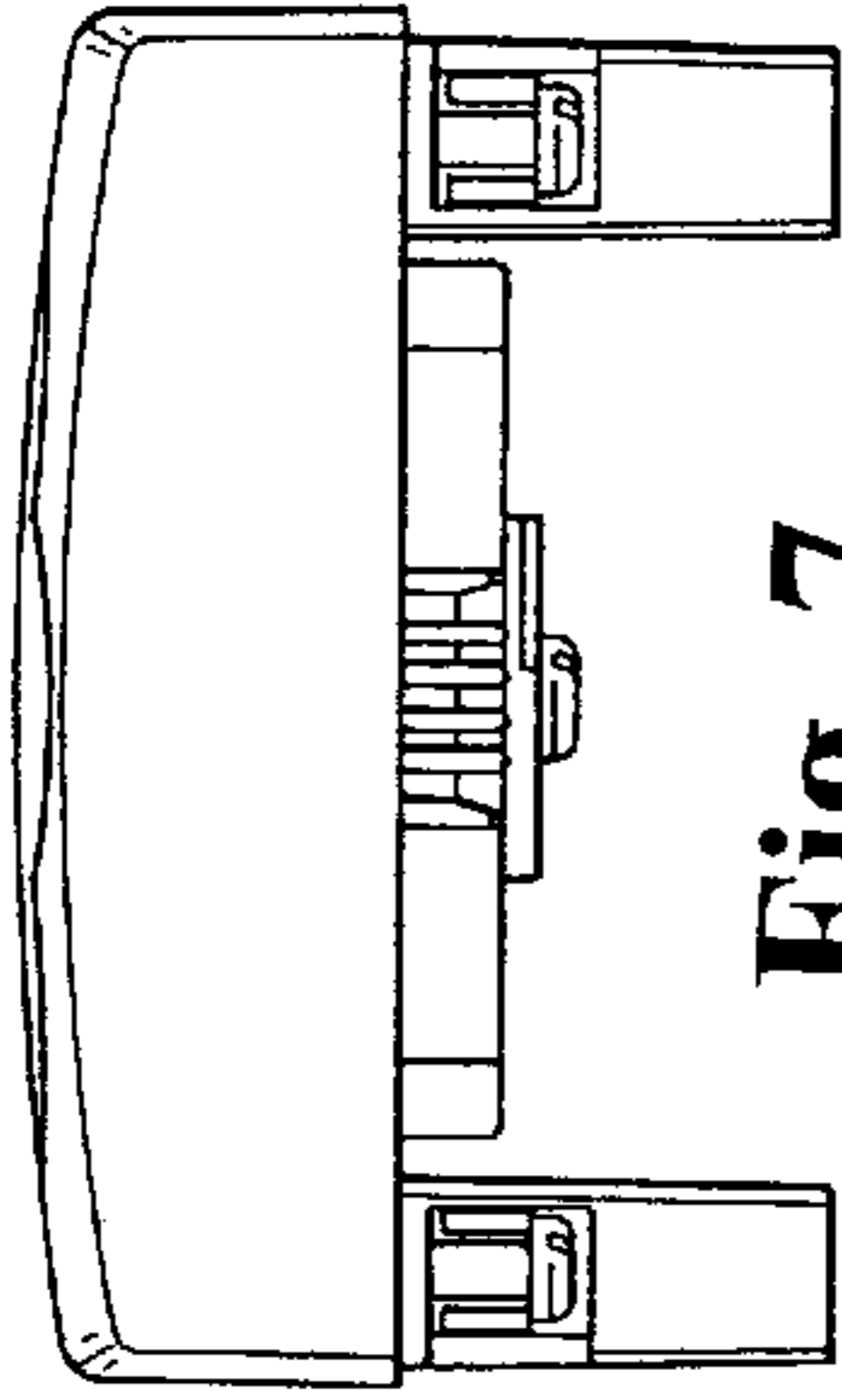


Fig. 7

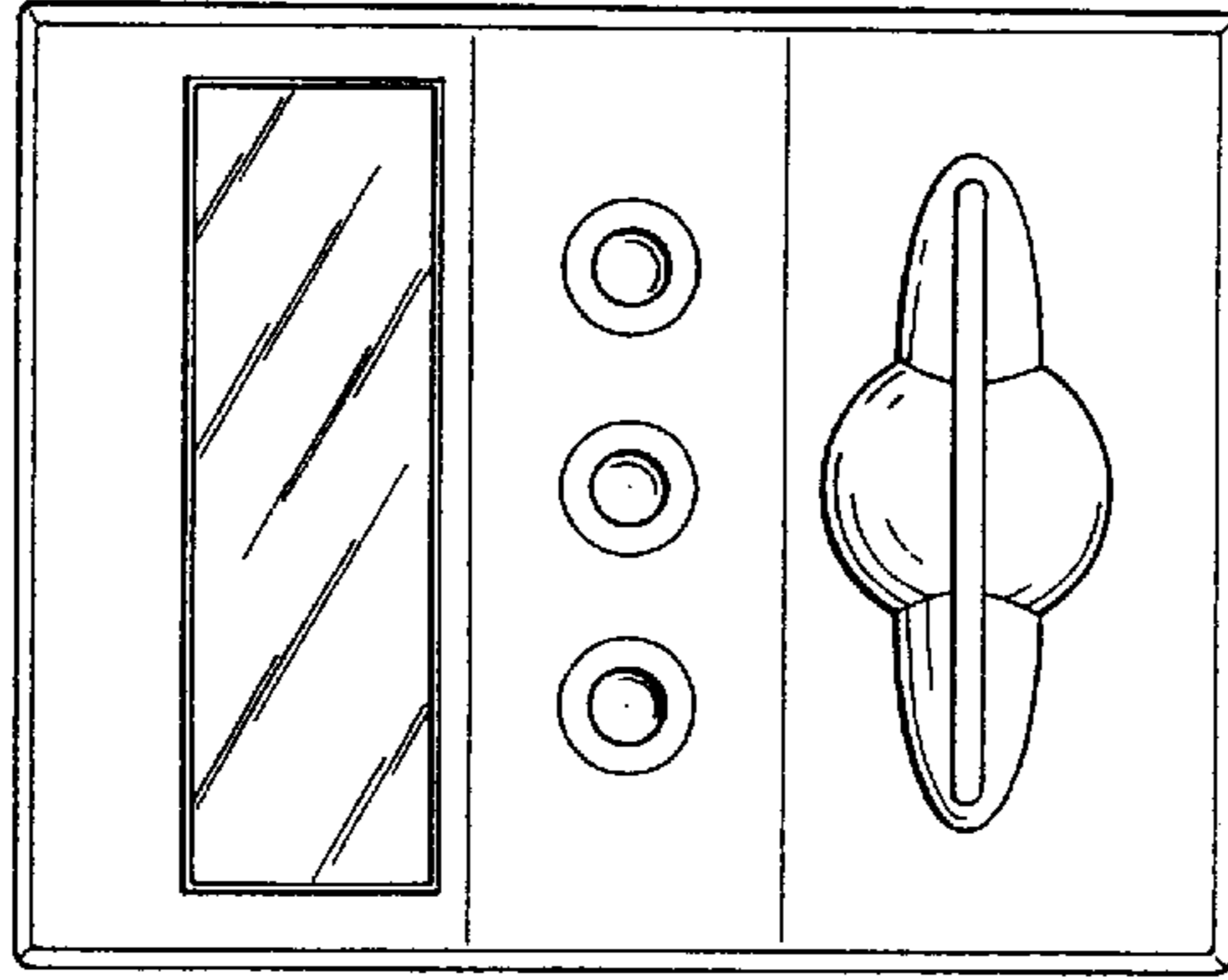


Fig. 9

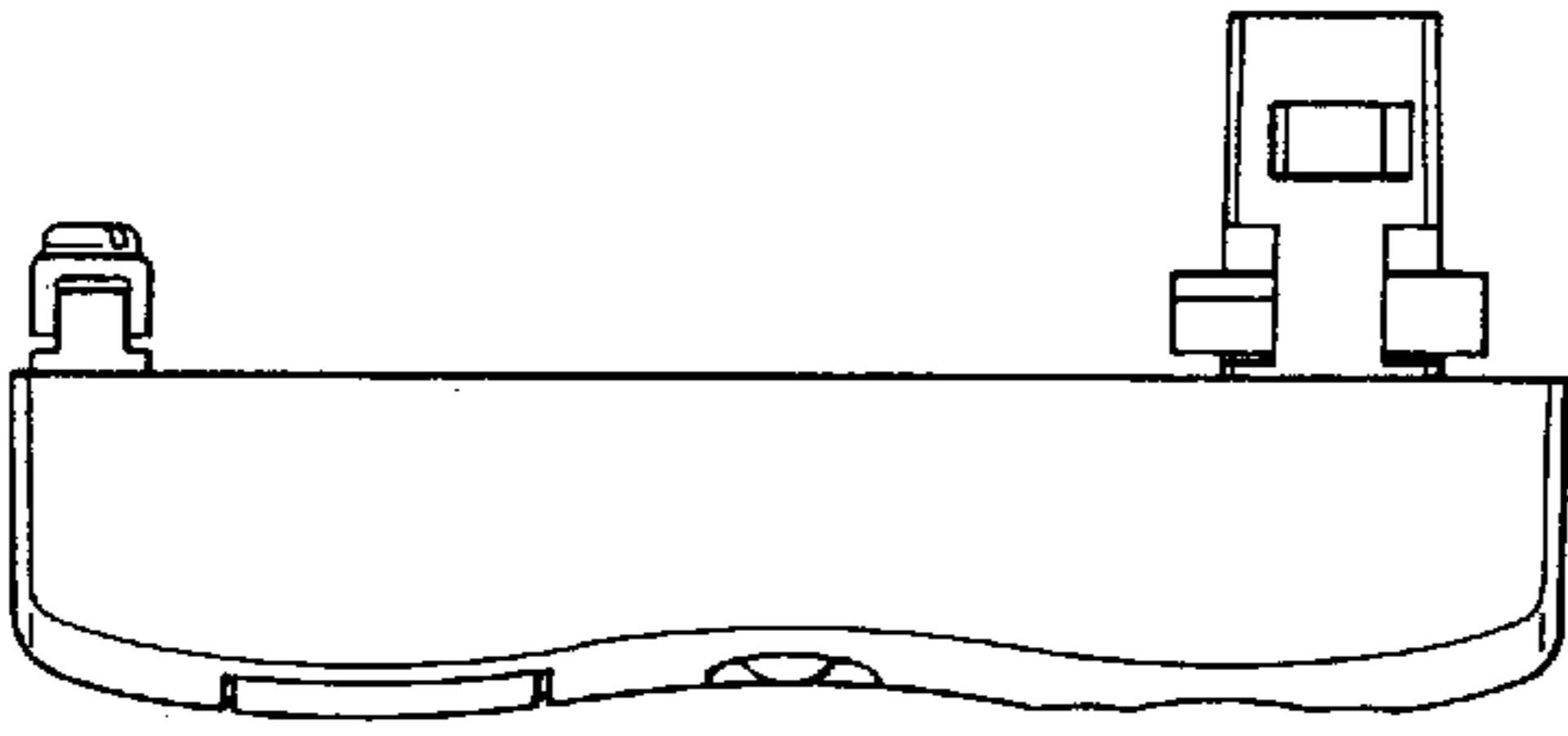


Fig. 10

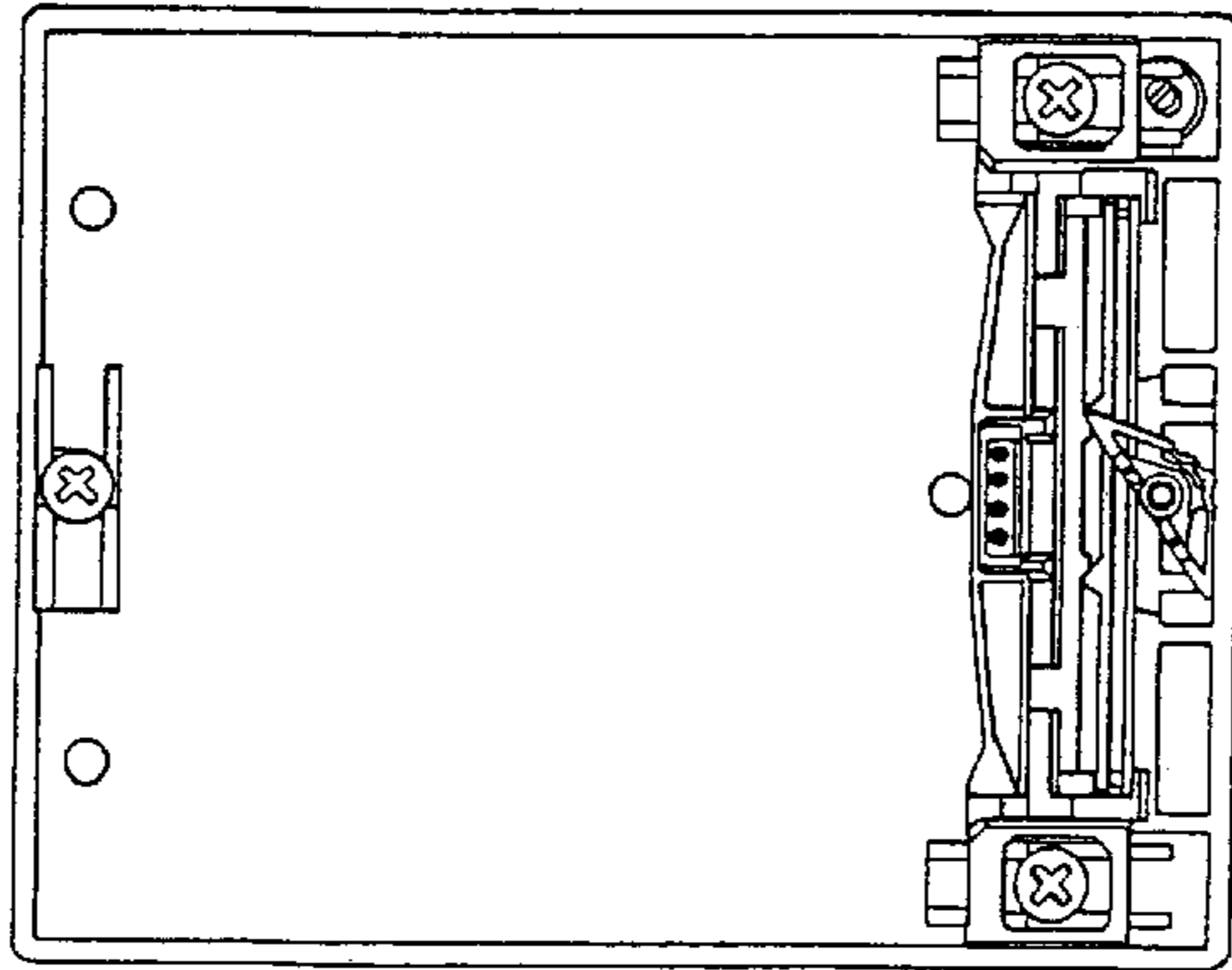


Fig. 8

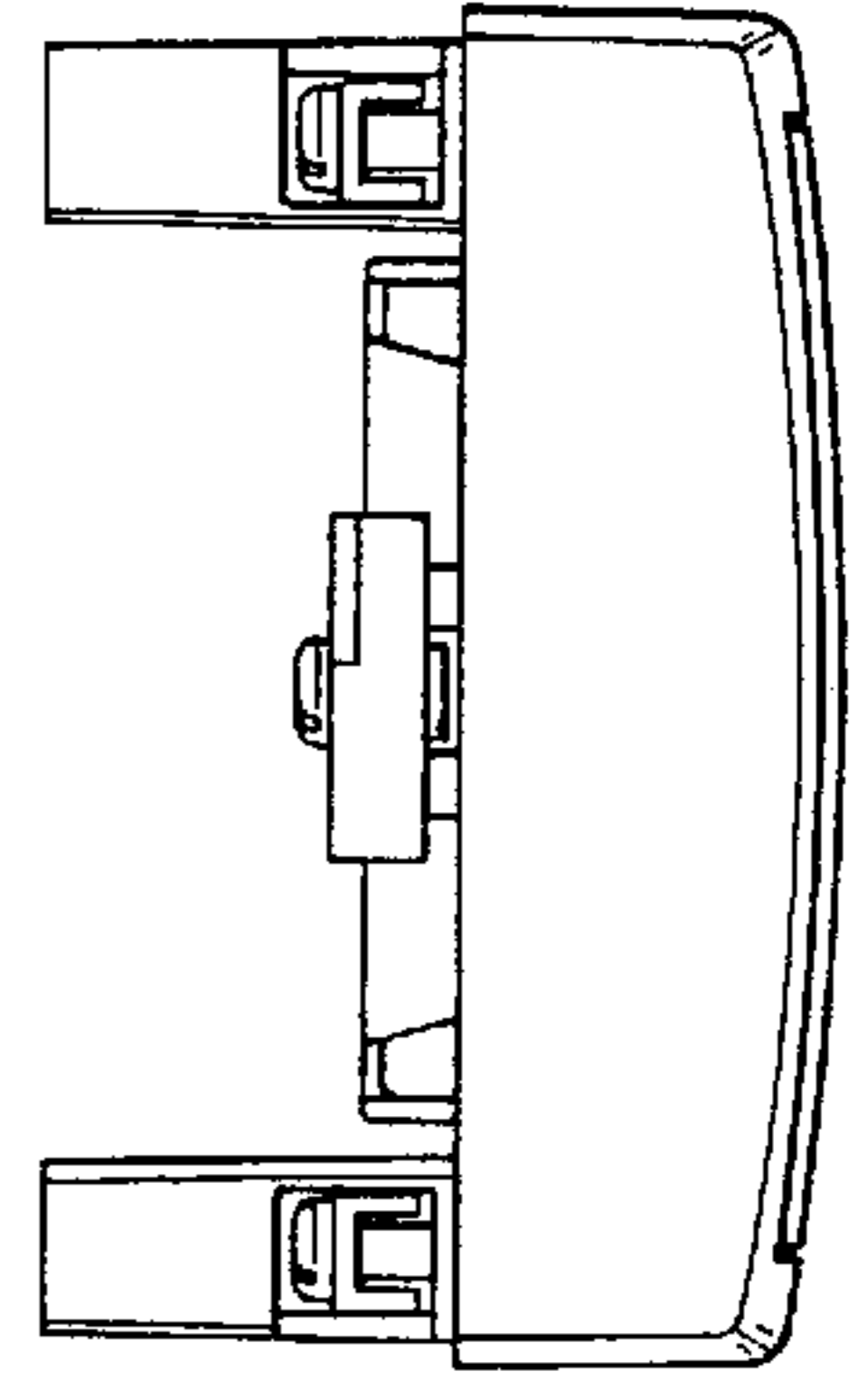
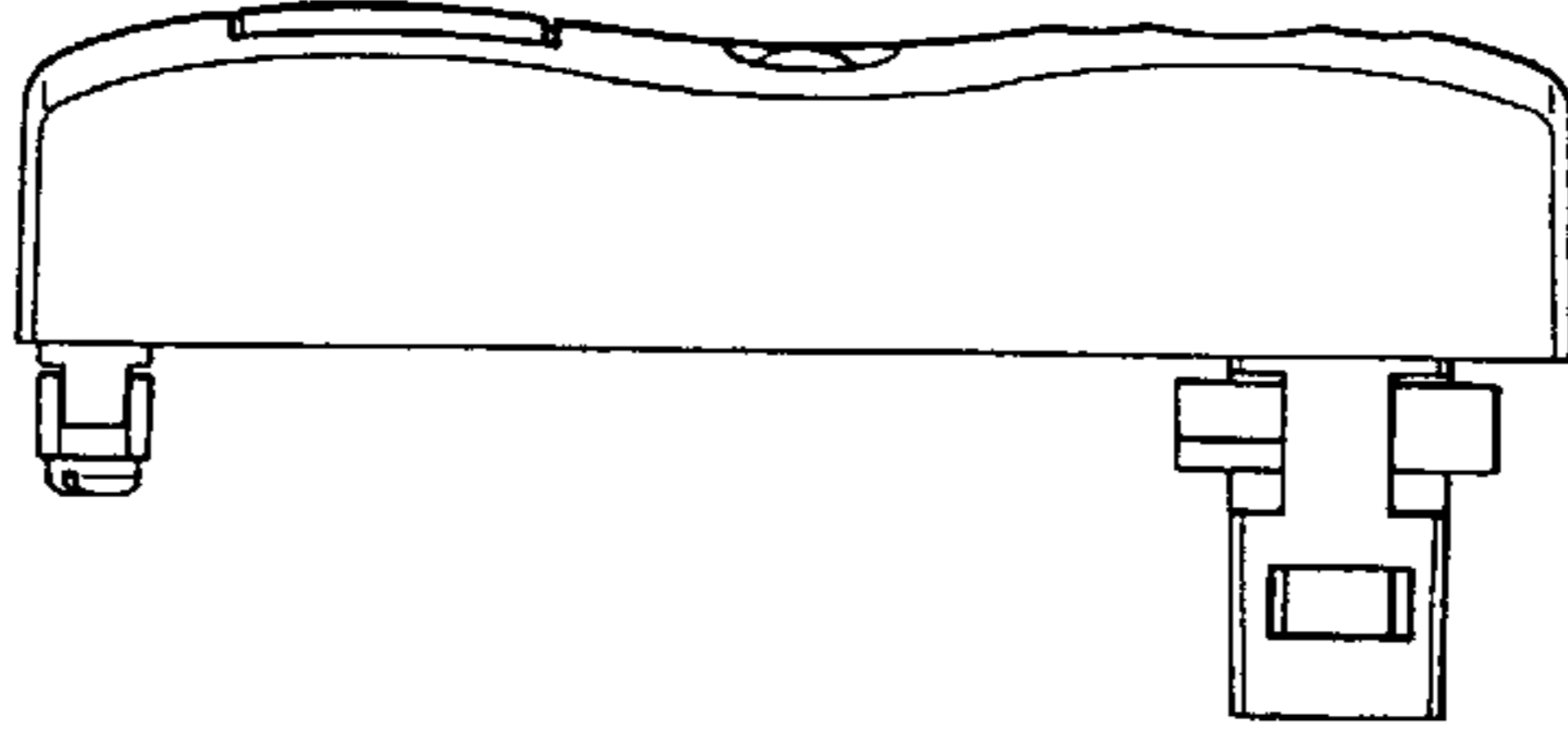


Fig. 11