



US00D485844S

(12) **United States Design Patent**
Chen et al.

(10) **Patent No.:** **US D485,844 S**

(45) **Date of Patent:** **** Jan. 27, 2004**

(54) **COMPUTER FRONT BEZEL**

D363,477 S * 10/1995 Tinsley et al. D14/445
D440,572 S * 4/2001 Jean et al. D14/445

(75) Inventors: **Yun Lung Chen**, Tu-Chen (TW); **Wei Xiang**, Shenzhen (CN); **Bin-Ran Li**, Shenzhen (CN)

* cited by examiner

Primary Examiner—Freda Nunn
(74) *Attorney, Agent, or Firm*—Wei Te Chung

(73) Assignee: **Hon Hai Precision Ind. Co., Ltd.**, Taipei Hsien (TW)

(57) **CLAIM**

(**) Term: **14 Years**

The ornamental design for a computer front bezel, as shown and described.

(21) Appl. No.: **29/171,339**

DESCRIPTION

(22) Filed: **Nov. 19, 2002**

FIG. 1 is a perspective view of a computer front bezel of our new design;

(51) **LOC (7) Cl.** **14-02**

FIG. 2 is a front elevational view thereof;

(52) **U.S. Cl.** **D14/442**

FIG. 3 is a rear elevational view thereof;

(58) **Field of Search** D14/441-446,
D14/361-369; D13/162, 184, 199; 312/223.2,
223.1-223.3; 361/690-696; 360/99.01-99.12;
369/34.01, 36.01

FIG. 4 is a left side elevational view thereof;

FIG. 5 is a right side elevational view thereof;

FIG. 6 is a top plan view thereof;

FIG. 7 is a bottom plan view thereof; and,

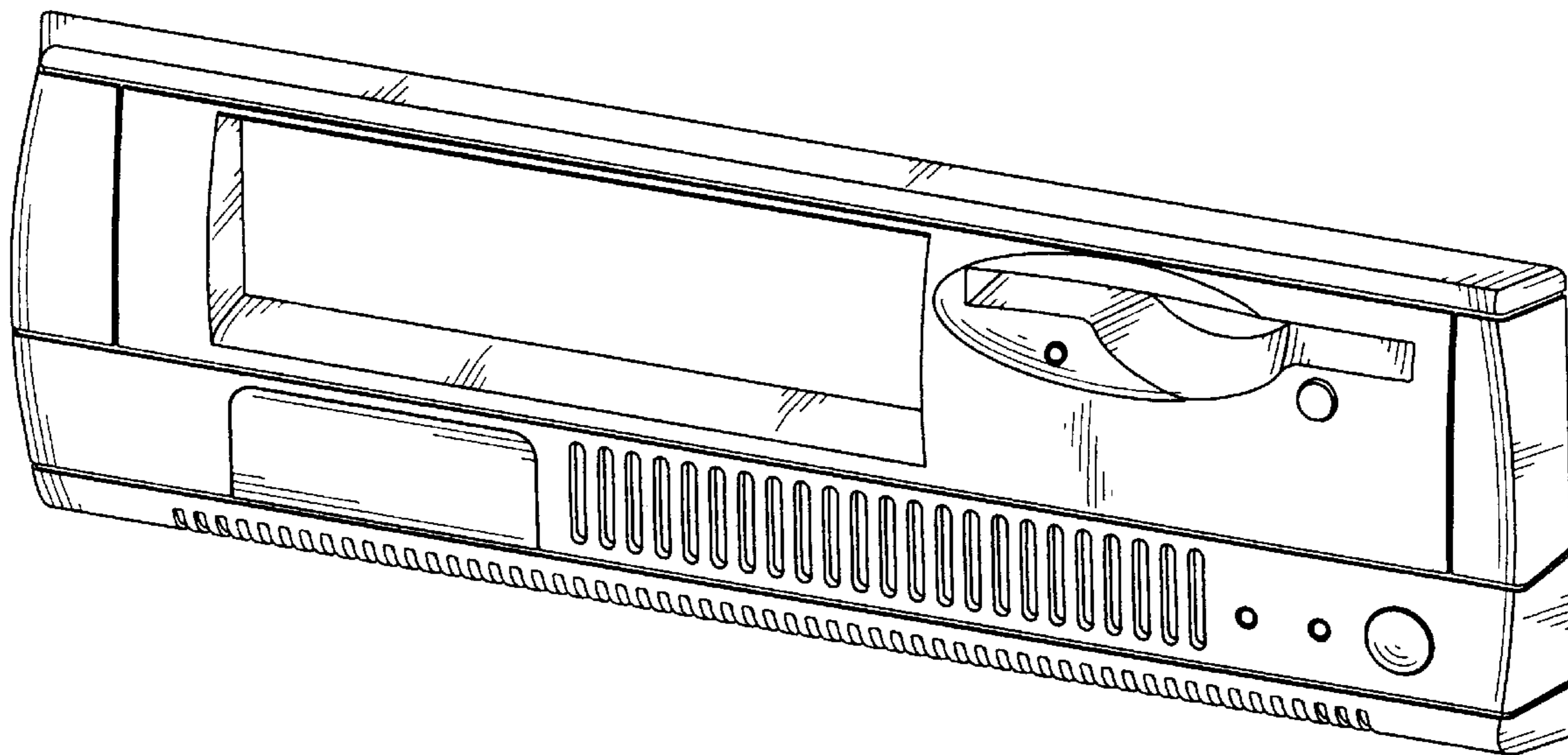
FIG. 8 is a perspective view thereof being mounted to a computer case which is shown in broken lines for illustrative purposes only and forms no part of the claimed design.

(56) **References Cited**

U.S. PATENT DOCUMENTS

D314,568 S * 2/1991 Martin D14/445

1 Claim, 6 Drawing Sheets



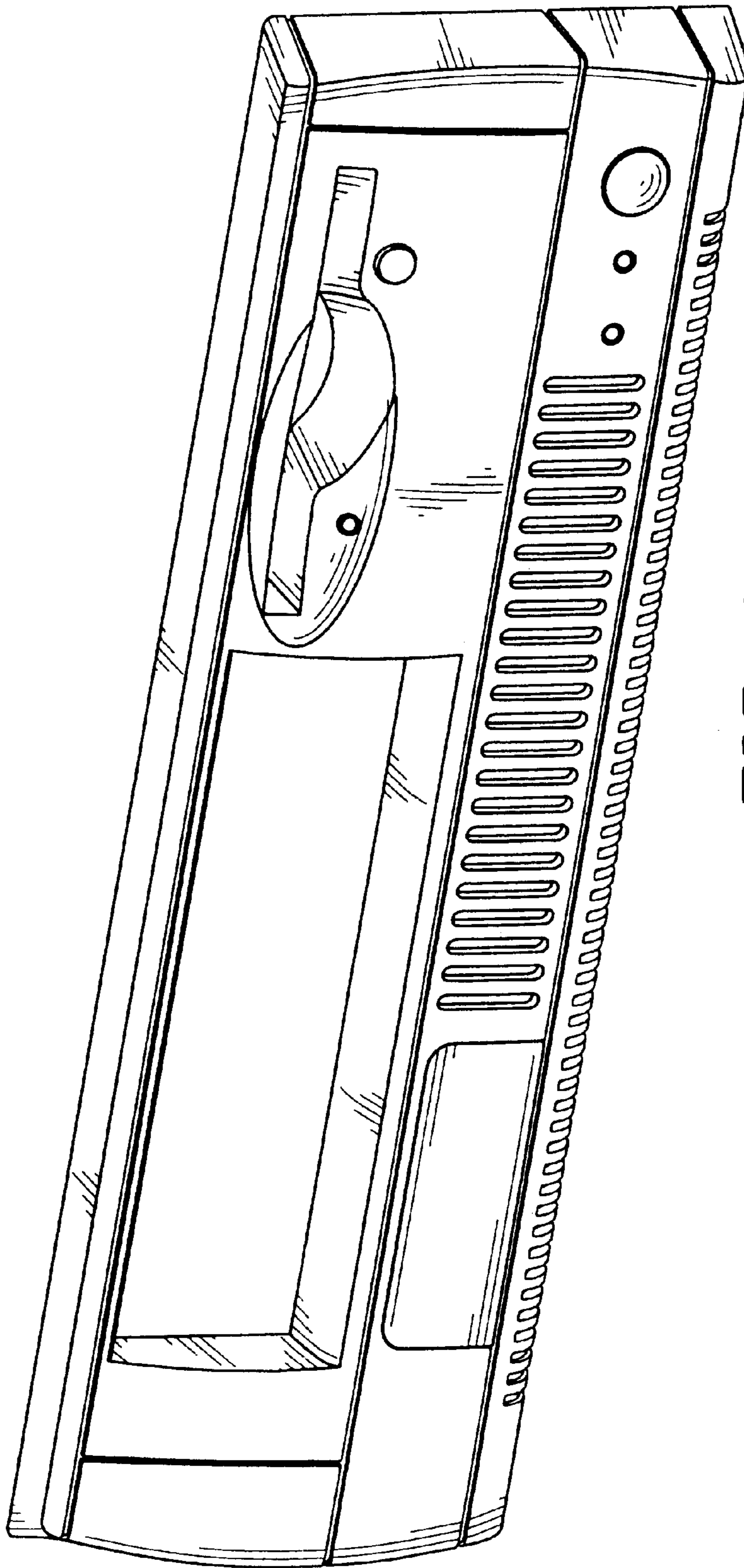


FIG. 1

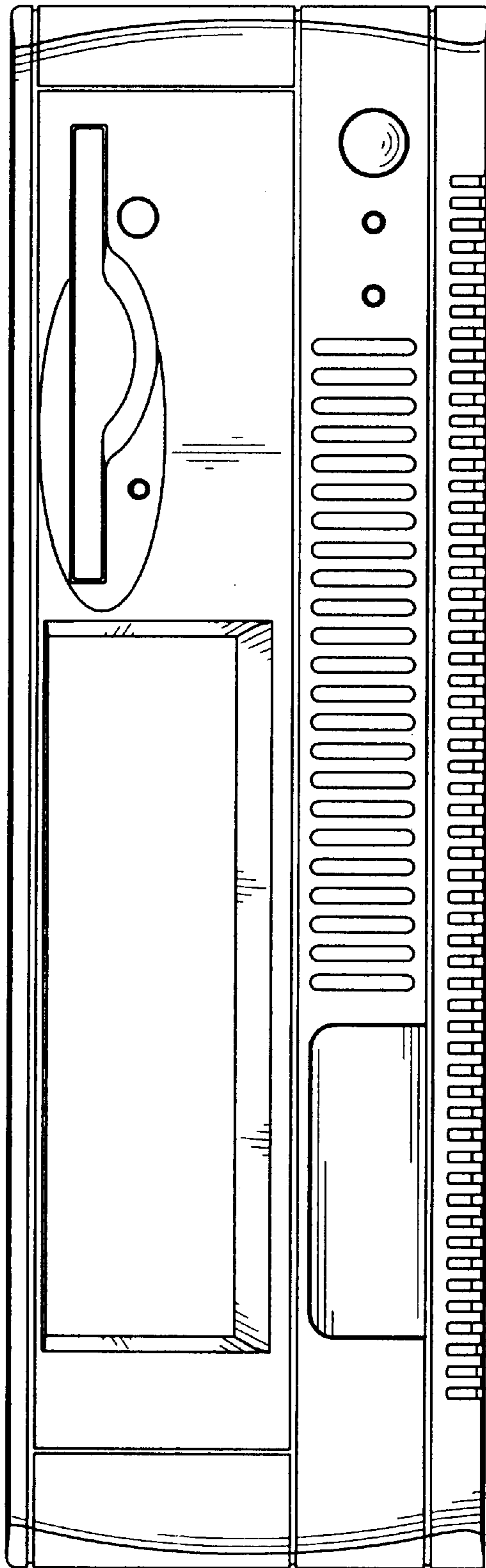


FIG. 2

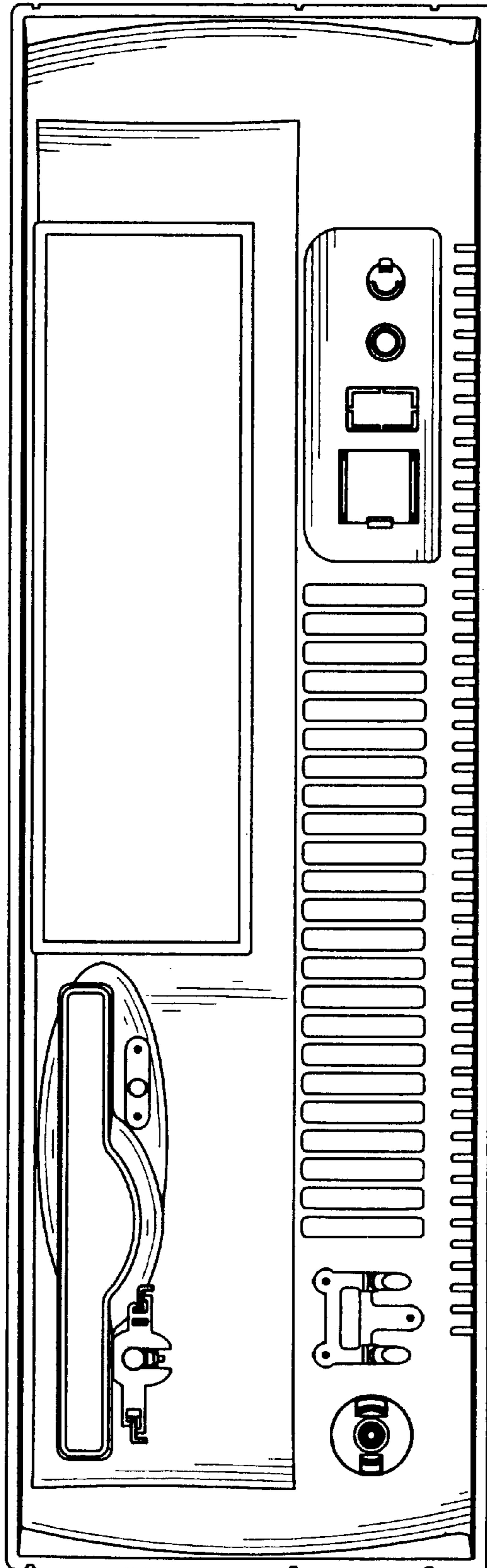


FIG. 3

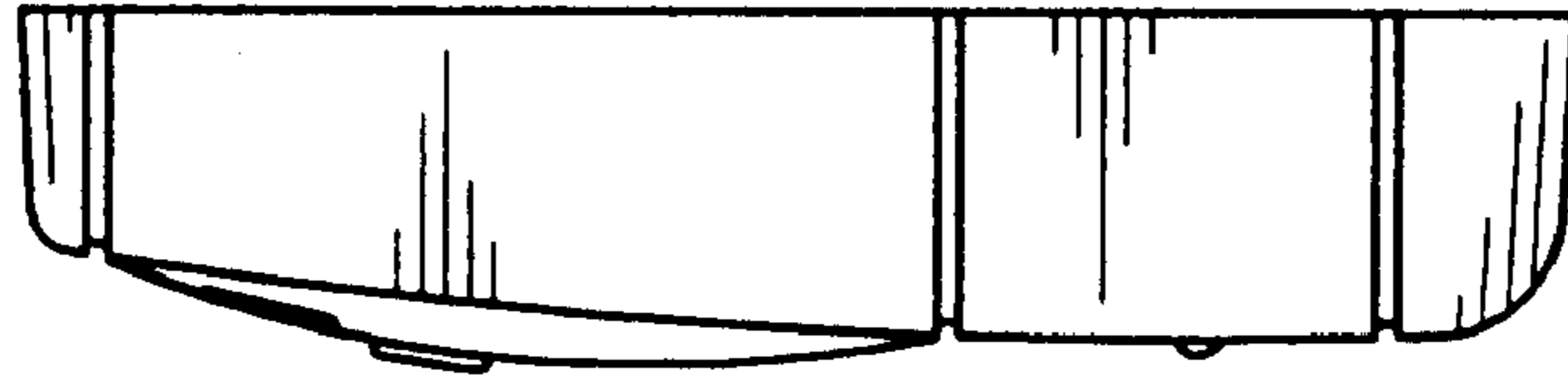


FIG. 5

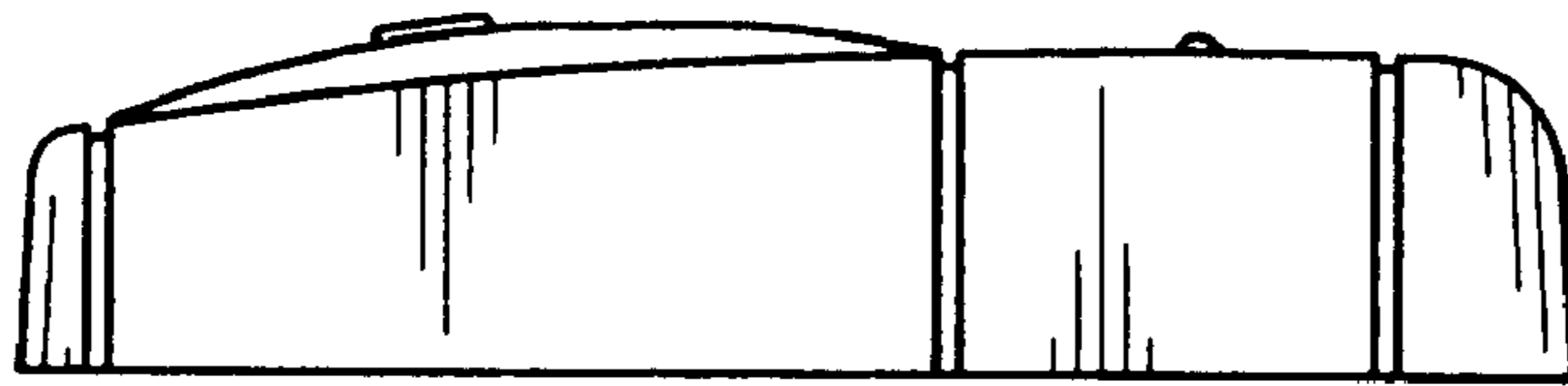


FIG. 4

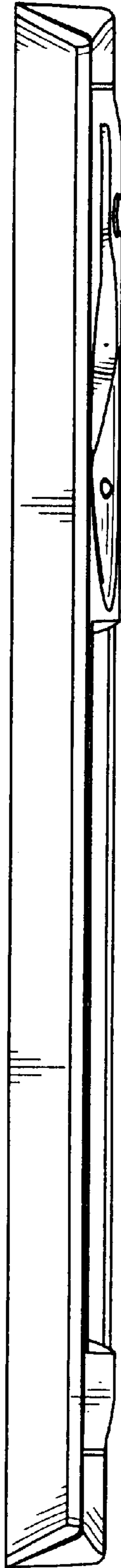


FIG. 6

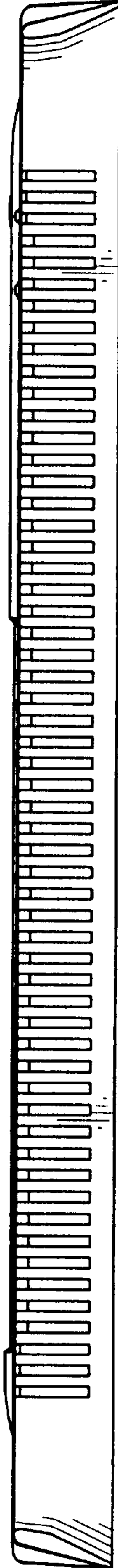


FIG. 7

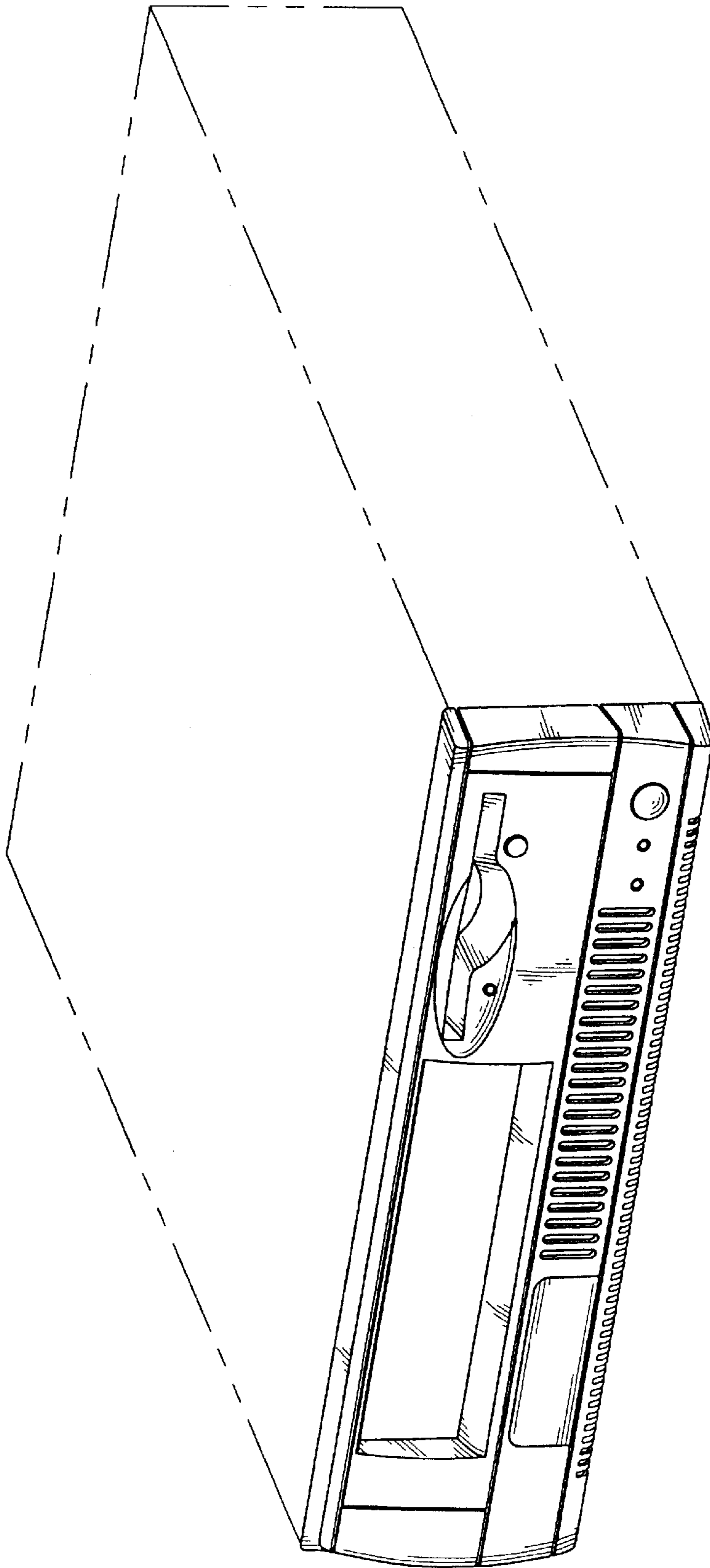


FIG. 8