



US00D485843S

(12) **United States Design Patent**  
**Hishinuma et al.**

(10) **Patent No.:** **US D485,843 S**

(45) **Date of Patent:** **\*\* Jan. 27, 2004**

(54) **BEZEL HAVING A PULL OUT LABEL**

D332,448 S \* 1/1993 Garmon et al. .... D14/442  
D428,014 S \* 7/2000 Bostedt et al. .... D14/441  
D439,582 S \* 3/2001 Jensen et al. .... D14/445

(75) Inventors: **David S. Hishinuma**, Fremont, CA  
(US); **Ken G. Robertson**, San Jose, CA  
(US); **Dustin Rosing**, Sunnyvale, CA  
(US); **Richard W. Davis**, San Jose, CA  
(US); **Harold Miyamura**, San Jose, CA  
(US)

\* cited by examiner

*Primary Examiner*—Freda Nunn

(73) Assignee: **Hewlett-Packard Development Company, L.P.**, Houston, TX (US)

(57) **CLAIM**

The ornamental design for a bezel having a pull out label, as shown and described.

(\*\*) Term: **14 Years**

**DESCRIPTION**

(21) Appl. No.: **29/171,299**

FIG. 1 is a front perspective view from the left of a bezel showing one embodiment of the invention;

(22) Filed: **Nov. 20, 2002**

FIG. 2 is a front perspective view from the right of the bezel shown in FIG. 1 with the label pulled out;

(65) **Prior Publication Data**

FIG. 3 is a front view of the bezel; and,

(65)

FIG. 4 shows a top view of the bezel with the label pushed in.

(51) **LOC (7) Cl.** ..... **14-02**

(52) **U.S. Cl.** ..... **D14/441**

(58) **Field of Search** ..... D14/441-446;  
D13/162, 184, 199; 312/223.2; 361/690-696;  
40/375; 434/379; 439/717; 360/97.02

The broken line portions of the drawing in FIGS. 1 and 2 which show a portion of an apparatus and the writings and markings within the dashed line on the label shown in FIG. 2 and the broken line support in FIG. 4 are merely exemplary and form no part of the claimed design.

(56) **References Cited**

**U.S. PATENT DOCUMENTS**

5,027,254 A \* 6/1991 Corfits et al. .... 361/694

**1 Claim, 1 Drawing Sheet**

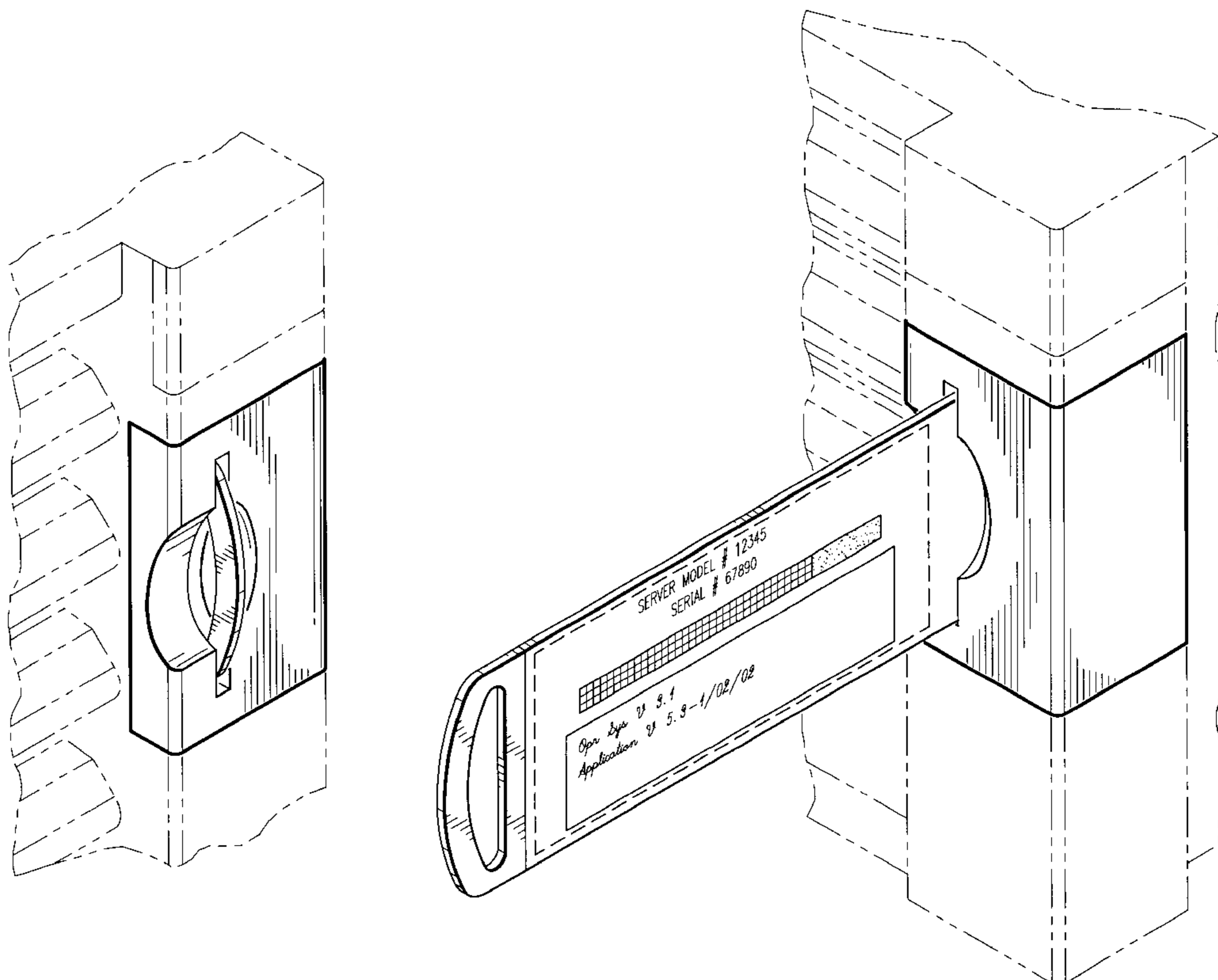


FIG. 1

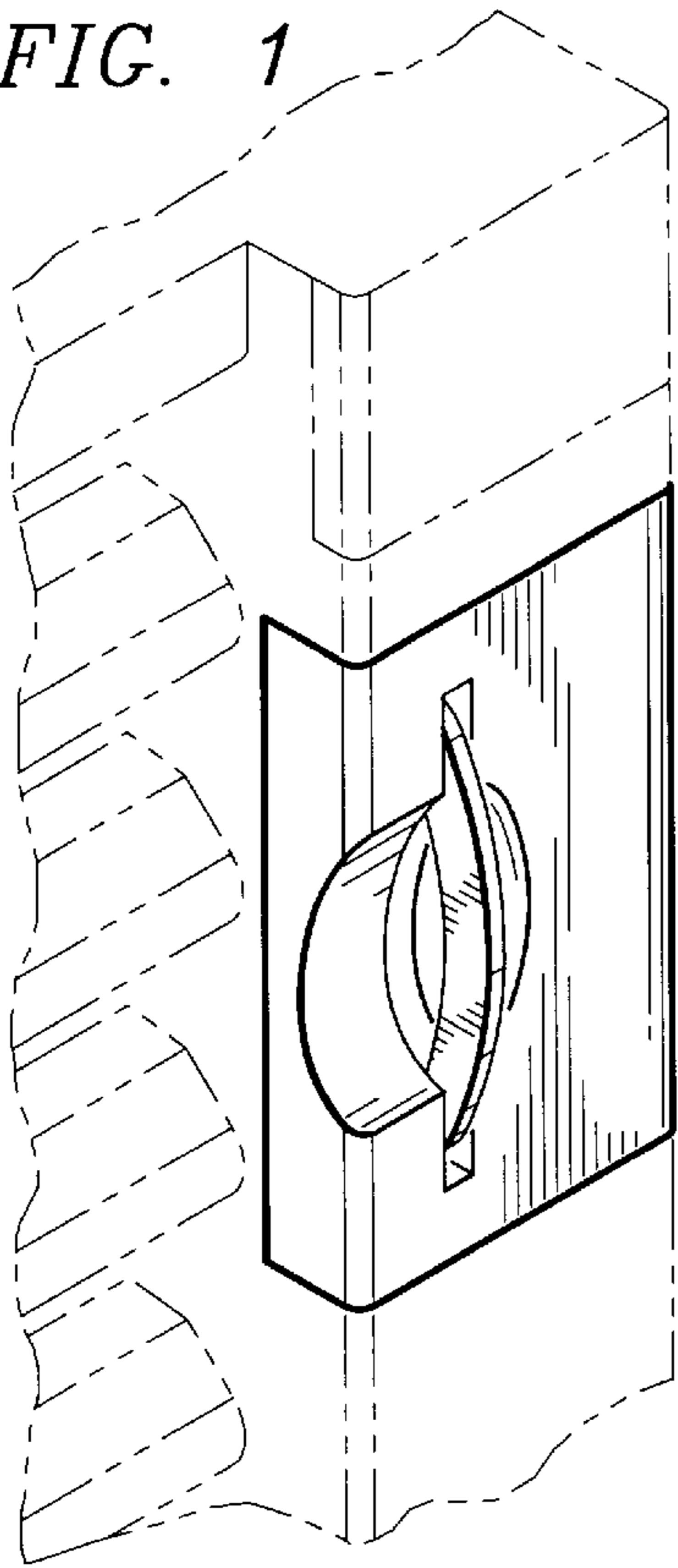


FIG. 3

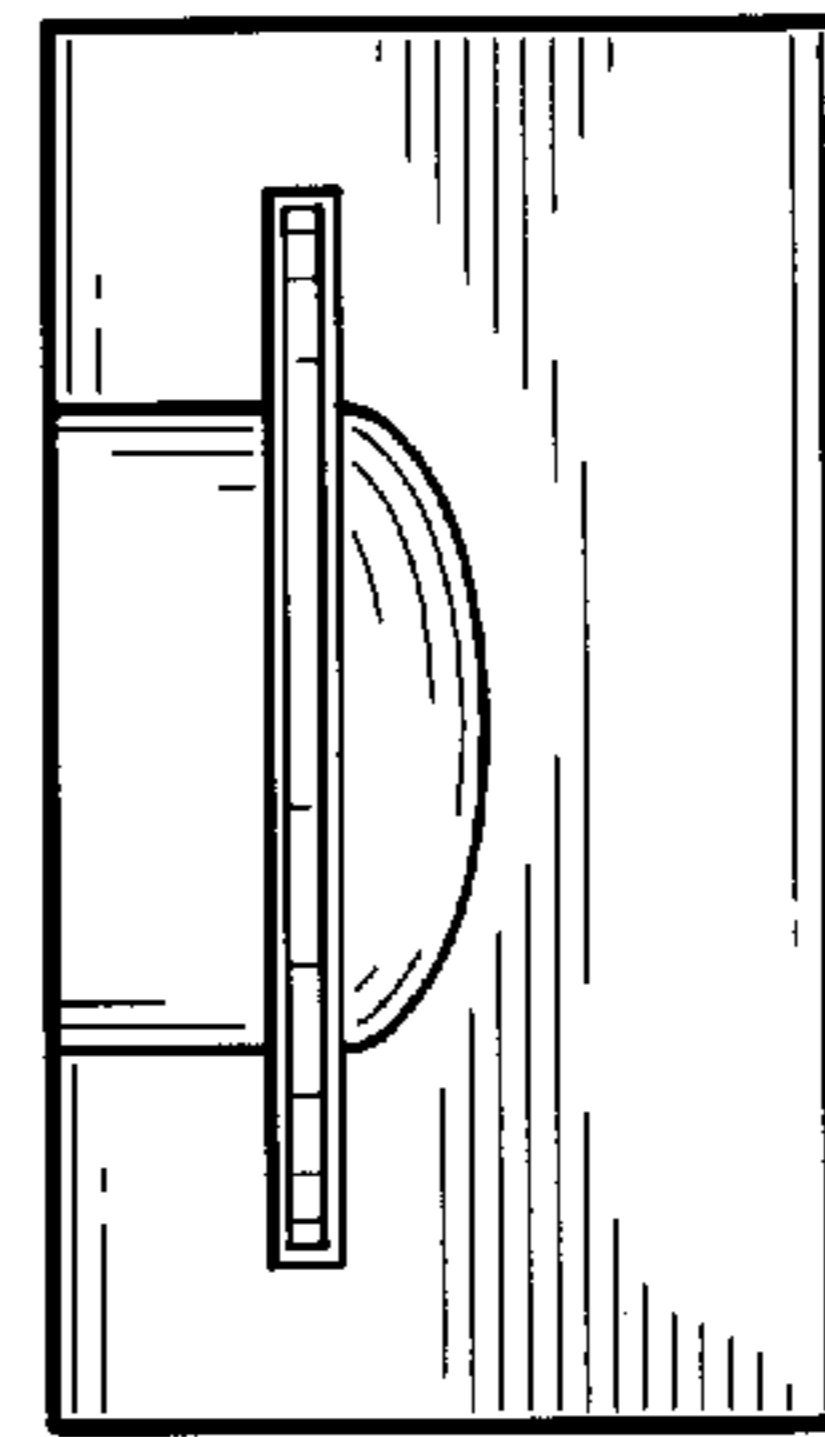


FIG. 2

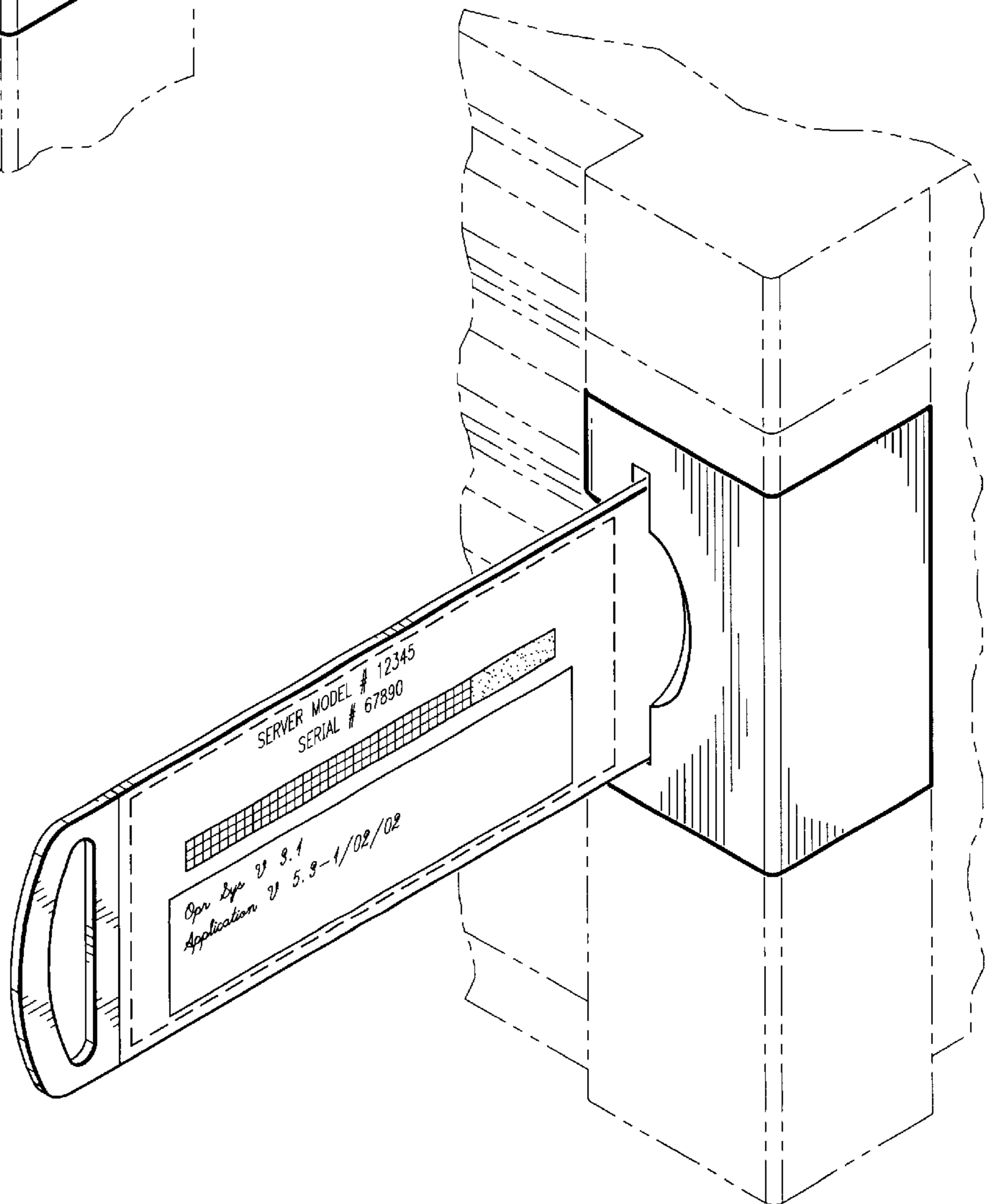


FIG. 4

