



US00D485842S

(12) **United States Design Patent**
Dearborn et al.

(10) **Patent No.:** **US D485,842 S**
(45) **Date of Patent:** **** Jan. 27, 2004**

(54) **COMPUTER SYSTEM STATUS DISPLAY**
(75) Inventors: **Timothy C. Dearborn**, Austin, TX
(US); **Shawn P. Hoss**, Round Rock, TX
(US)
(73) Assignee: **Dell Products, L.P.**, Round Rock, TX
(US)
(**) Term: **14 Years**

D416,009 S 11/1999 Lai D14/115
5,995,012 A 11/1999 Lee et al. 340/815.45
D431,243 S 9/2000 Oba D14/351
D432,134 S 10/2000 Leman D14/441
D435,559 S * 12/2000 Tanaka D14/444
D436,952 S 1/2001 Goto D14/349
D436,953 S 1/2001 Matsuoka D14/349
D437,325 S * 2/2001 Searby et al. D14/445
D440,572 S 4/2001 Jean et al. D14/445
D476,009 S * 6/2003 Dearborn et al. D14/432
2002/0190868 A1 * 12/2002 Dearborn et al. 340/691.1

(21) Appl. No.: **29/178,601**
(22) Filed: **Mar. 28, 2003**

* cited by examiner

Primary Examiner—Freda Nunn
(74) *Attorney, Agent, or Firm*—Baker Botts L.L.P.

Related U.S. Application Data

(62) Division of application No. 29/143,122, filed on Jun. 7, 2001, now Pat. No. Des. 476,009.

(51) **LOC (7) Cl.** **14-02**
(52) **U.S. Cl.** **D14/432**
(58) **Field of Search** D14/441-446,
D14/239, 371, 432; D13/162, 184, 199;
312/223.2; 361/680-686, 690-696; 340/691.1,
815.45

(57) **CLAIM**

The ornamental design for a computer system status display, as shown and described.

DESCRIPTION

This application is related to U.S. utility patent application titled "System and Method for Displaying Computer System Status Information" by Timothy C. Dearborn and Shawn P. Hoss, U.S. Application Ser. No. 09/876,594, which is pending herewith and which is incorporated herein by reference in its entirety for all purposes.

FIG. 1 is a front elevational view of a computer system status display; and,

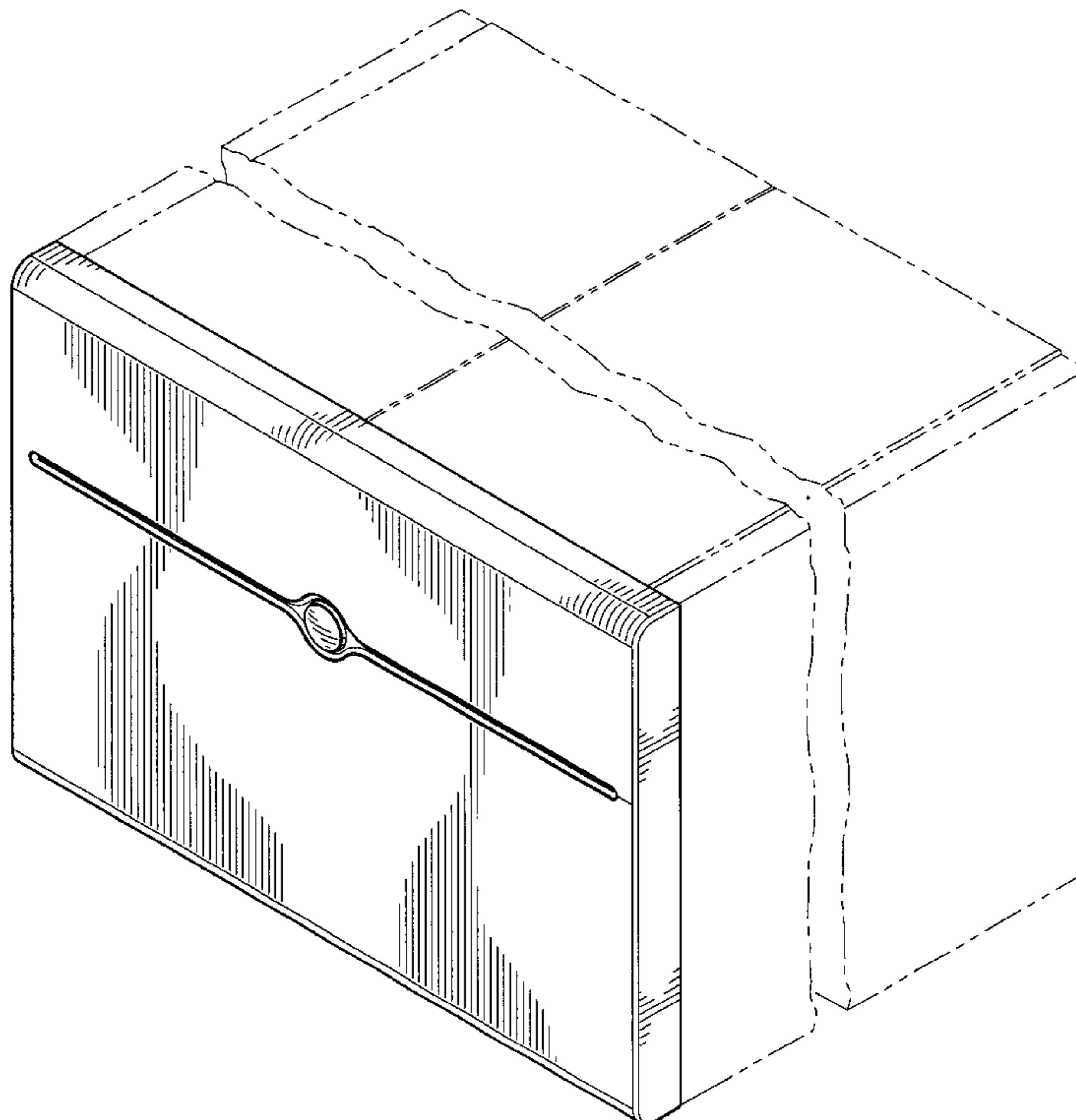
FIG. 2 is a perspective view of the computer system status display wherein the computer system is shown in broken lines for illustrative purposes only and forms no part of the claimed design.

(56) **References Cited**

U.S. PATENT DOCUMENTS

D360,411 S * 7/1995 Sharp et al. D14/445
5,519,832 A 5/1996 Warchol 395/183.22
5,880,955 A 3/1999 Matoba et al. 364/188
D411,178 S 6/1999 Ikenaga D14/100
D412,497 S 8/1999 Lai D14/115
5,954,827 A 9/1999 Frank et al. 714/48

1 Claim, 2 Drawing Sheets



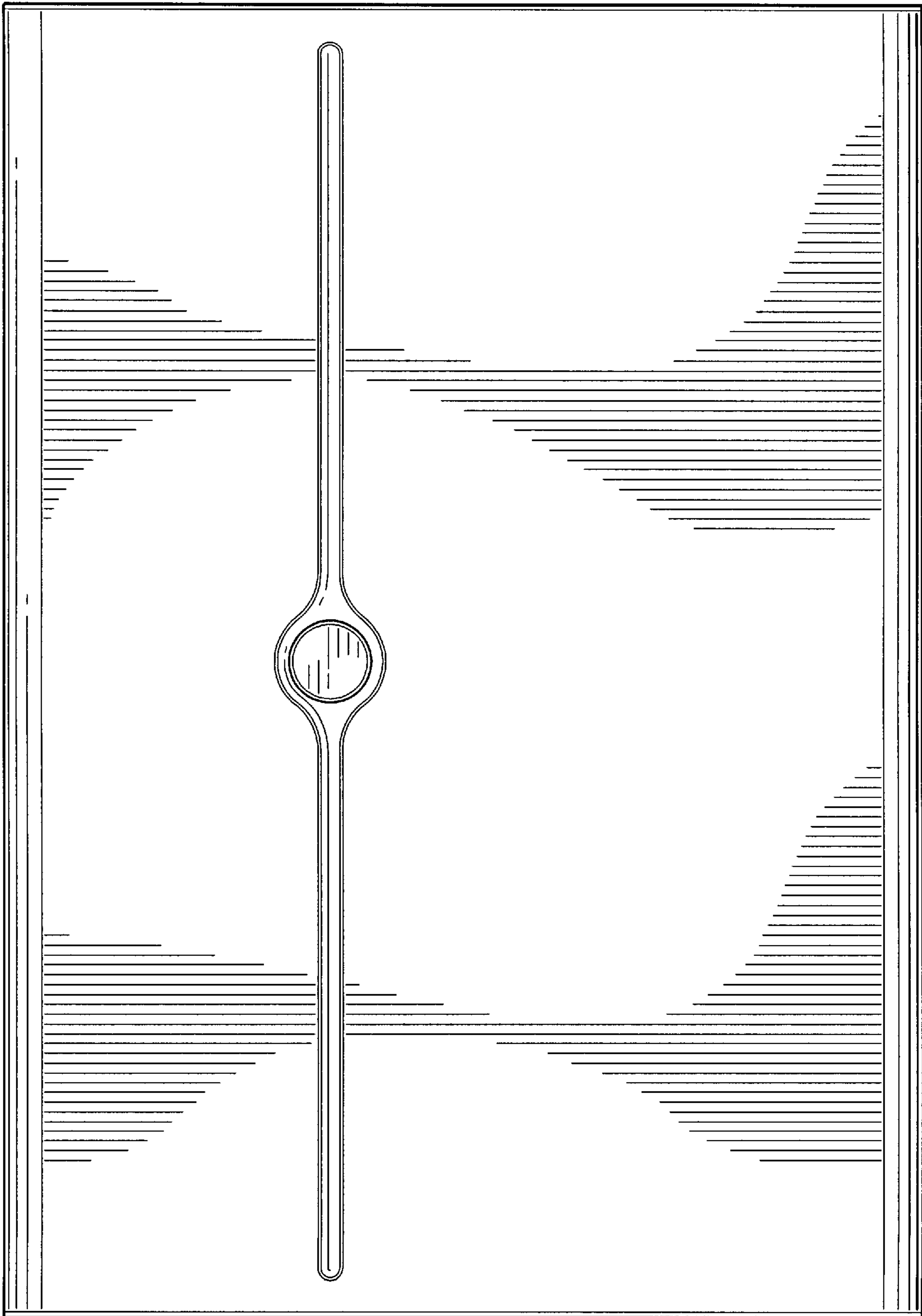


FIG. 1

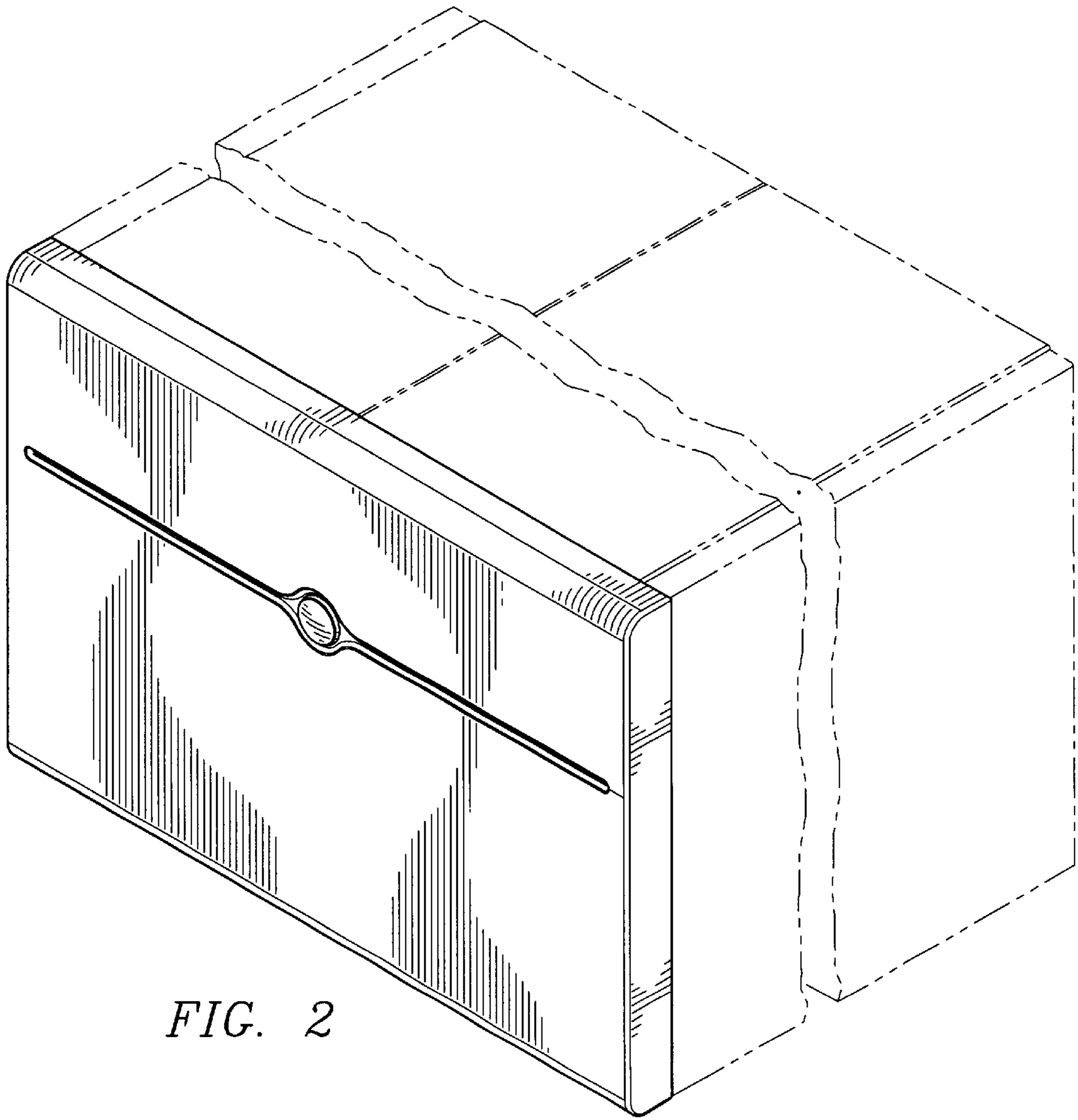


FIG. 2