



US00D485841S

(12) **United States Design Patent**
Fратиanni et al.

(10) **Patent No.:** **US D485,841 S**

(45) **Date of Patent:** **** Jan. 27, 2004**

(54) **IMAGING MODULE**

(75) Inventors: **Edmond L. Frатиanni**, Port Jefferson Station, NY (US); **David Tsi Shi**, Stony Brook, NY (US); **Mehul Patel**, Fort Salonga, NY (US); **Thomas D. Bianculli**, Manorville, NY (US)

(73) Assignee: **Symbol Technologies, Inc.**, Holtsville, NY (US)

(**) Term: **14 Years**

(21) Appl. No.: **29/160,000**

(22) Filed: **Apr. 30, 2002**

(51) **LOC (7) Cl.** **14-02**

(52) **U.S. Cl.** **D14/420**

(58) **Field of Search** D14/383-387, D14/420-425; 250/556; 355/64, 65, 75, 81; 235/380, 382, 382.5, 462.2, 462.22, 462.24; 283/68-70, 74, 75, 78; 358/483

(56) **References Cited**

U.S. PATENT DOCUMENTS

D204,940 S * 5/1966 Loose D14/385

4,136,821 A * 1/1979 Sugiura et al. 235/462.24
4,939,356 A * 7/1990 Rando et al. 235/462.2
5,360,969 A * 11/1994 Suzuki 235/479
6,095,421 A * 8/2000 Barkan et al. 235/462.22

* cited by examiner

Primary Examiner—Freda Nunn

(74) *Attorney, Agent, or Firm*—Kirschstein, et al.

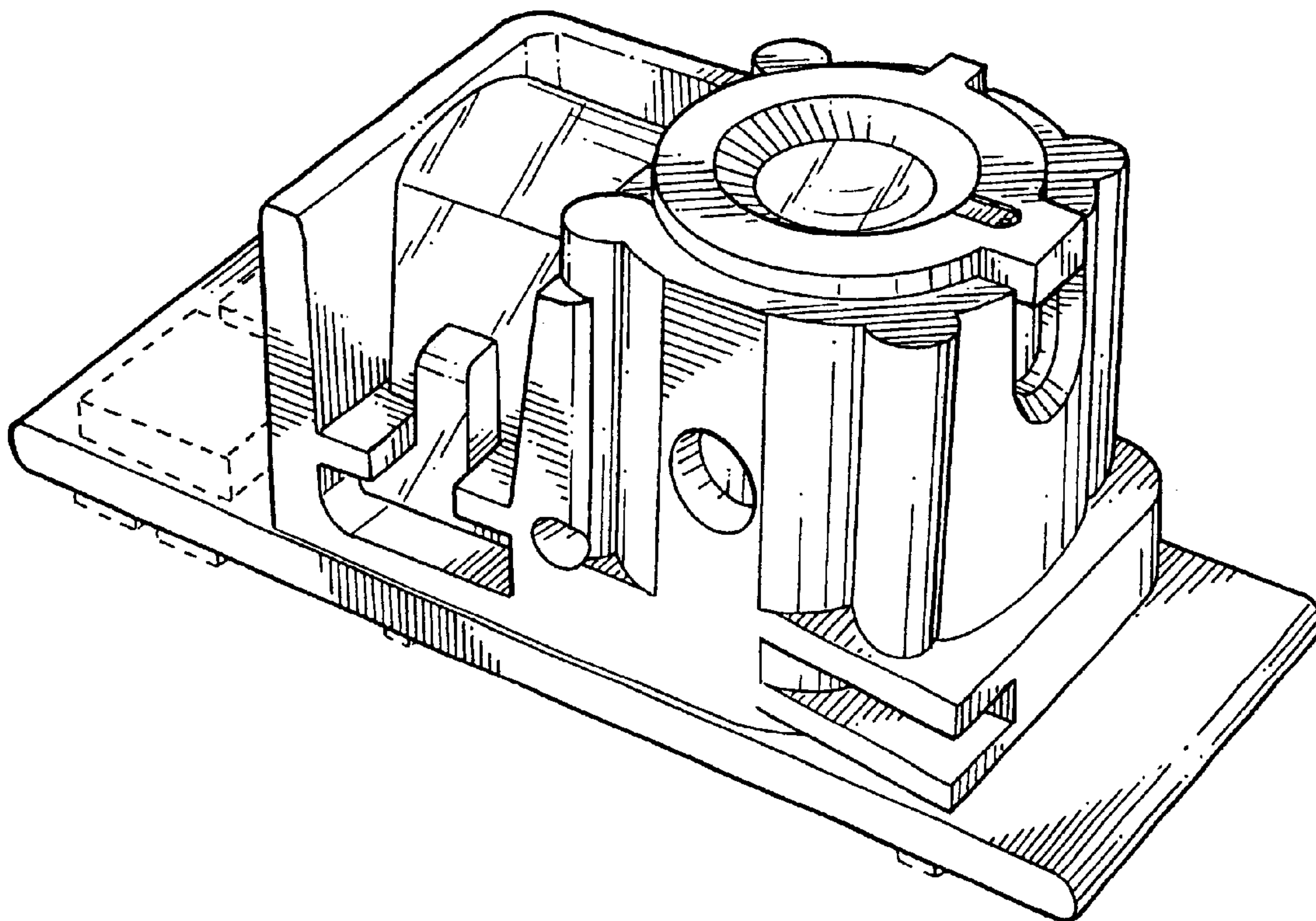
(57) **CLAIM**

The ornamental design for an imaging module, as shown and described.

DESCRIPTION

FIG. 1 is a front perspective view of an imaging module according to our new design;
FIG. 2 is a front elevational view thereof;
FIG. 3 is a top plan view thereof;
FIG. 4 is a bottom plan view thereof;
FIG. 5 is a rear elevational view thereof;
FIG. 6 is a left side elevational view thereof; and,
FIG. 7 is a right side elevational view thereof.
The broken lines in FIGS. 1-7 are for illustrative purposes only and form no part of the claimed design.

1 Claim, 7 Drawing Sheets



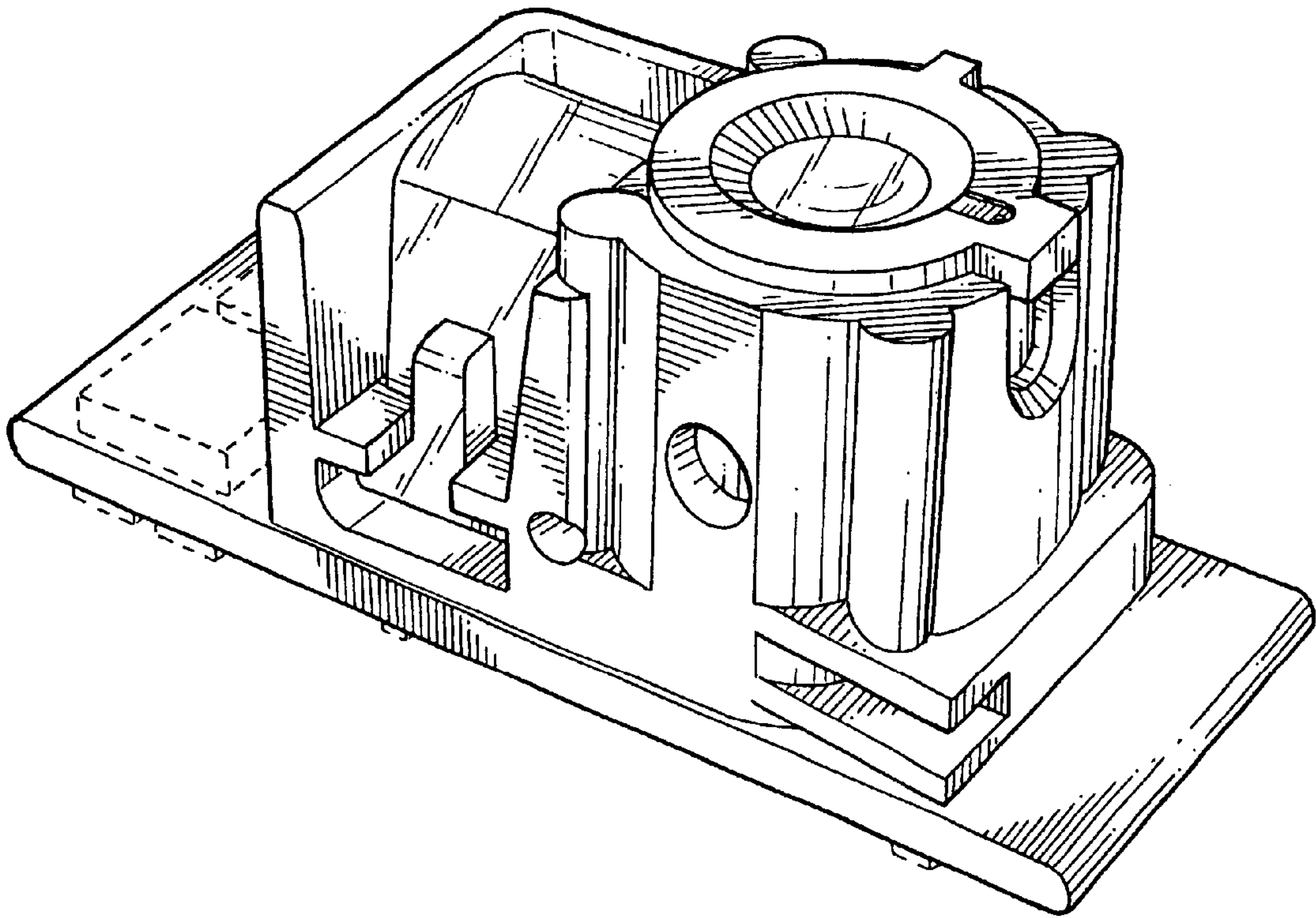


FIG. 1

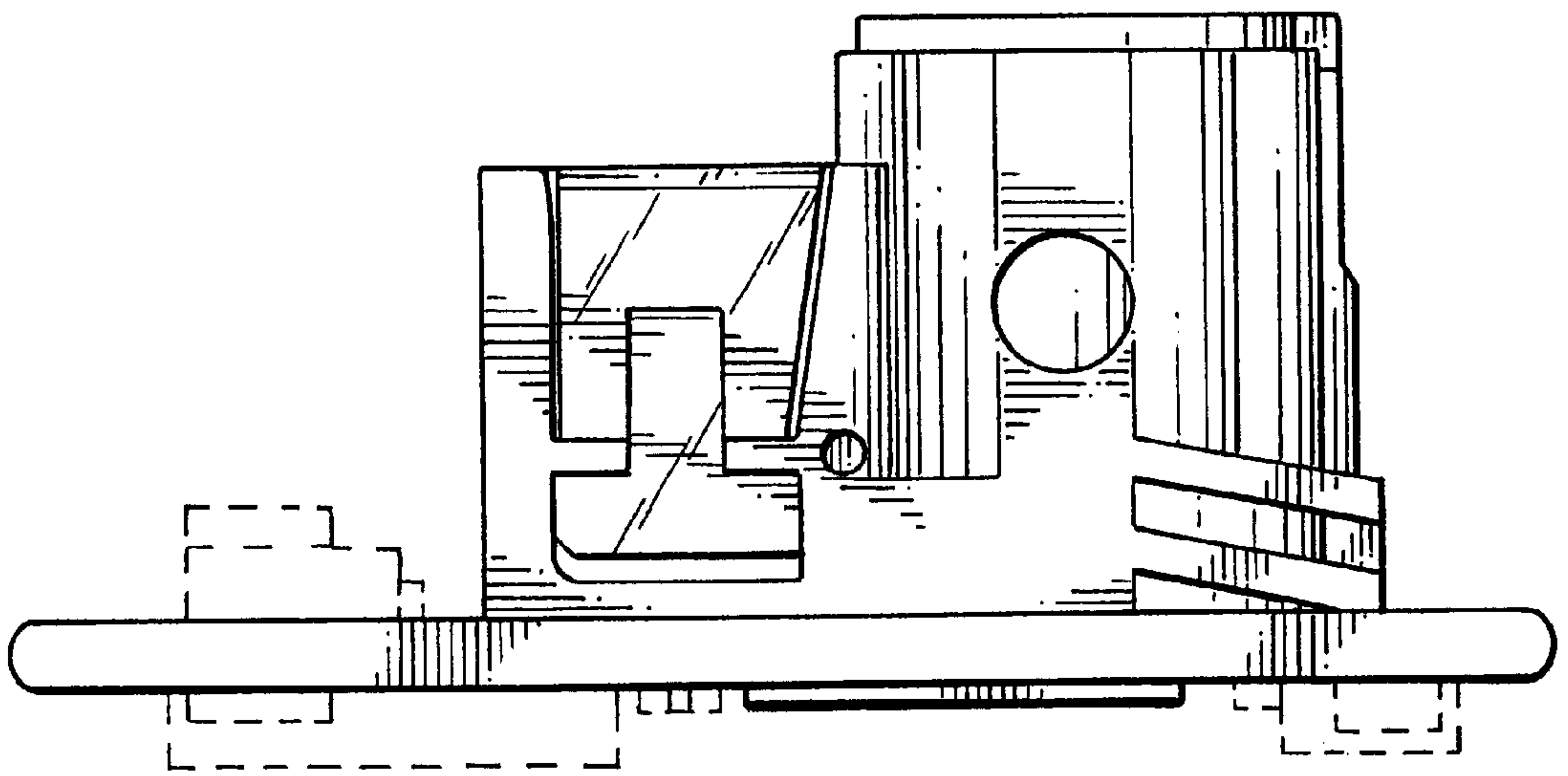


FIG. 2

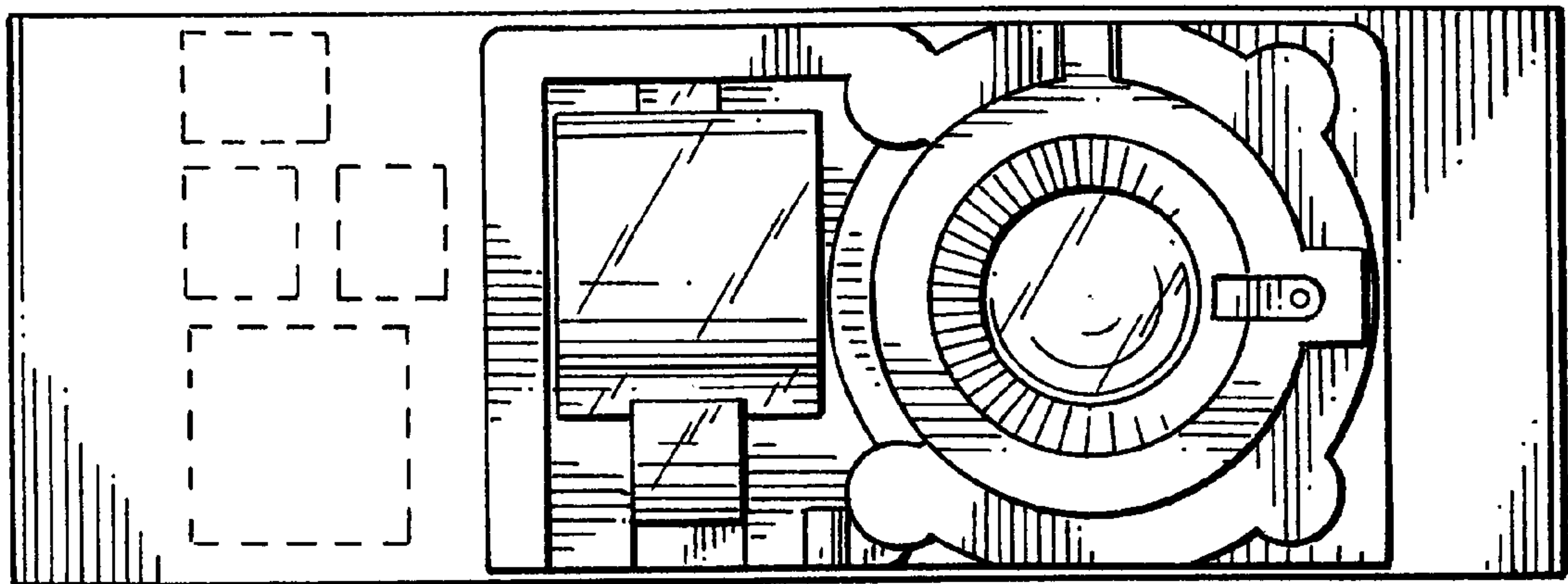


FIG. 3

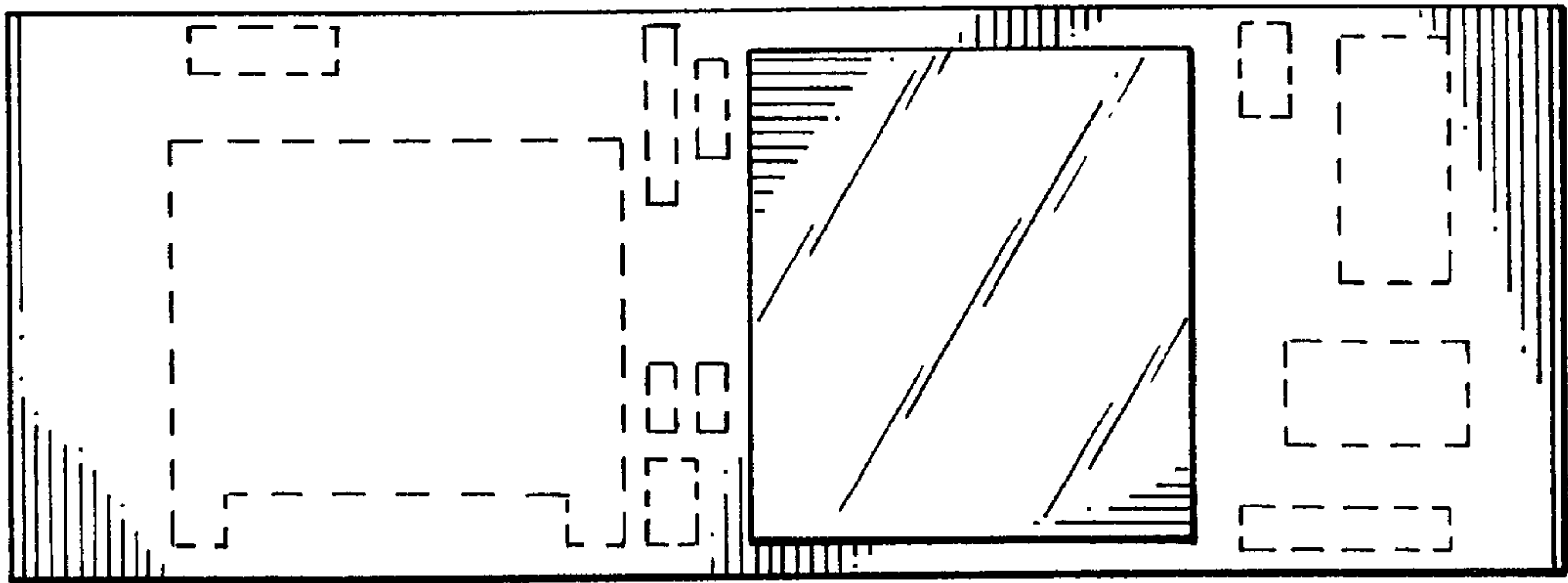


FIG. 4

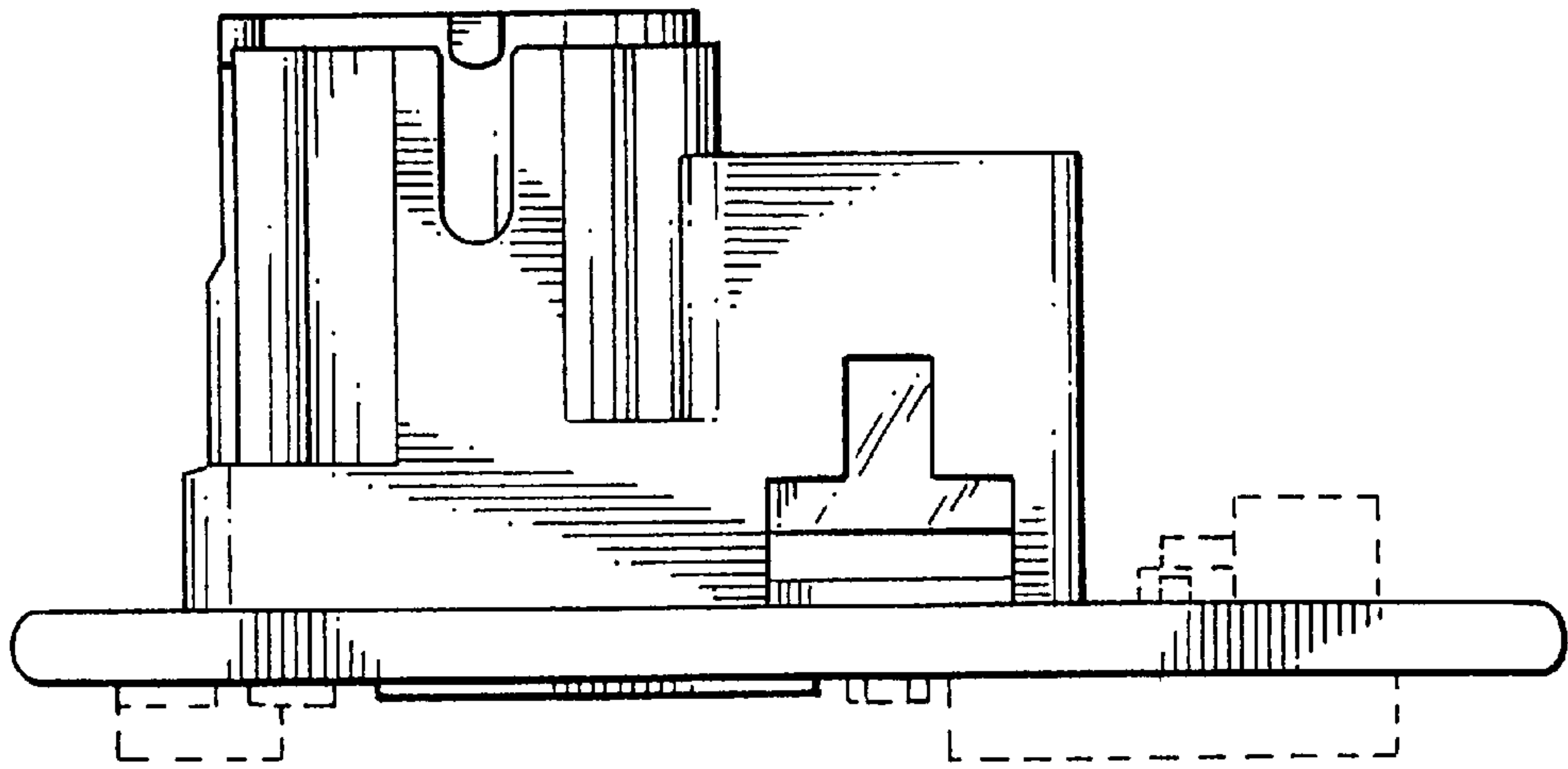


FIG. 5

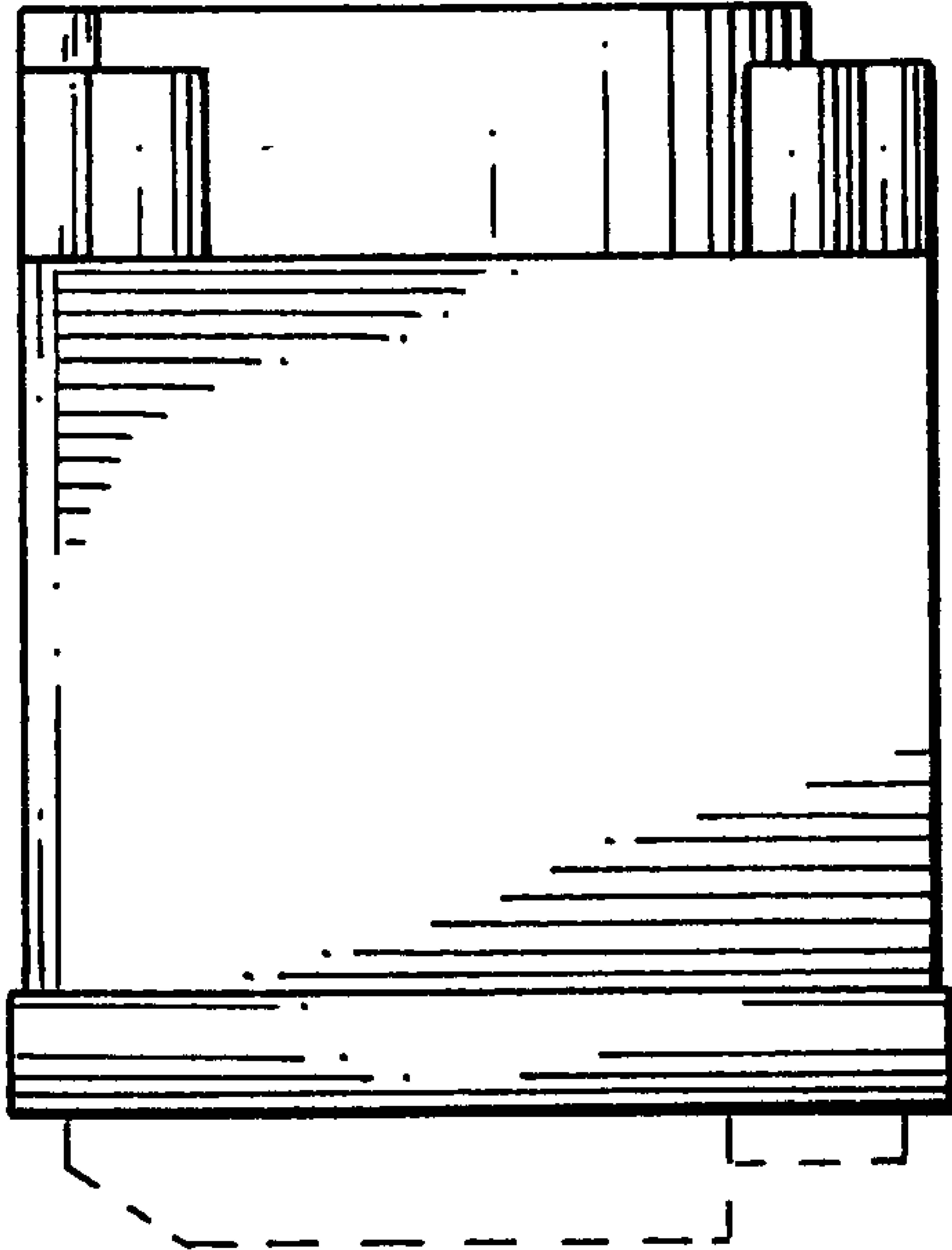


FIG. 6

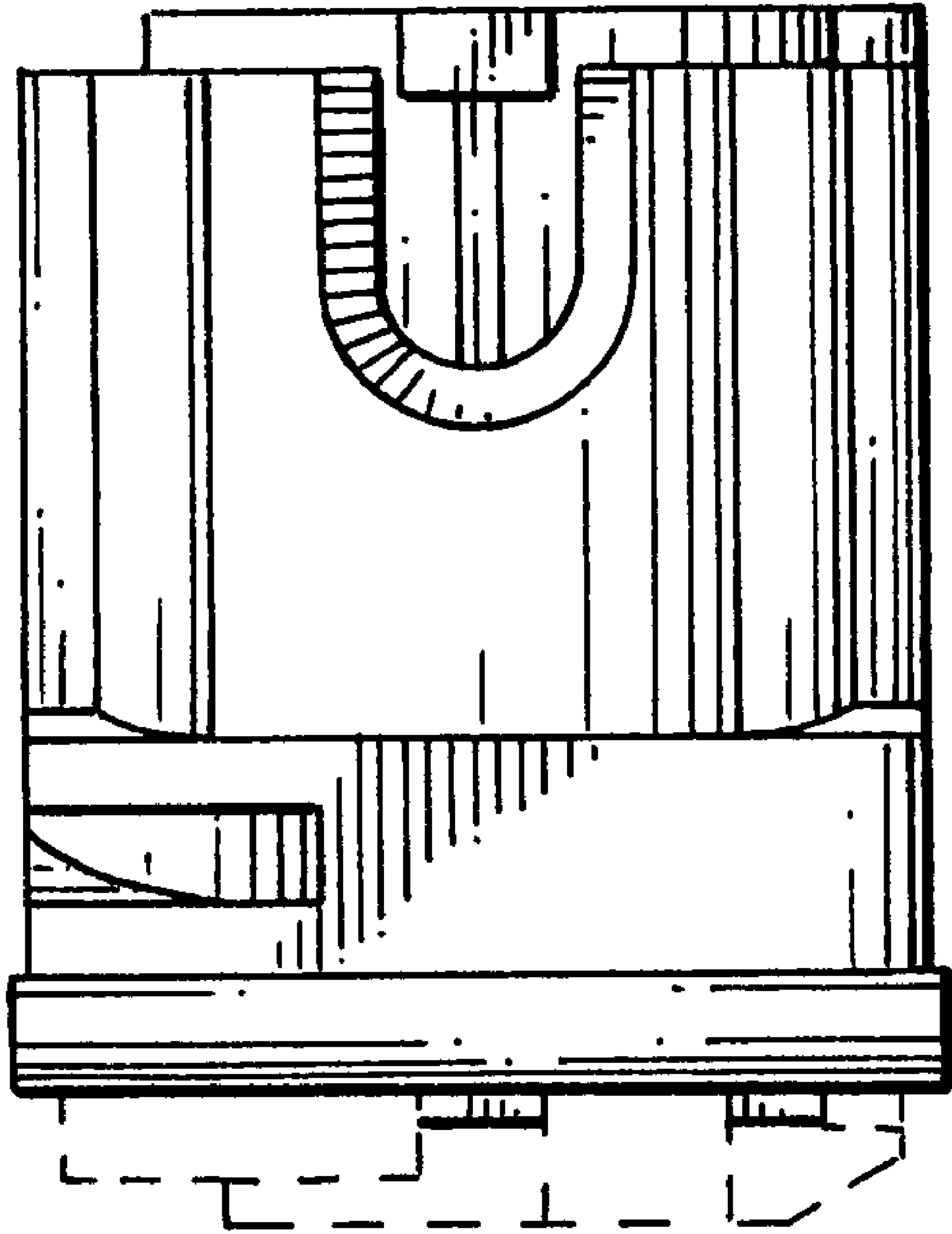


FIG. 7