



US00D485840S

(12) **United States Design Patent**
Yokoyama

(10) **Patent No.:** **US D485,840 S**

(45) **Date of Patent:** **** Jan. 27, 2004**

(54) **MEMORY CARD DATA READING DEVICE**

(75) Inventor: **Hiromasa Yokoyama**, Kanagawa (JP)

(73) Assignee: **J. S. T. Mfg. Co., Ltd.**, Osaka (JP)

(**) Term: **14 Years**

(21) Appl. No.: **29/156,572**

(22) Filed: **Mar. 5, 2002**

(30) **Foreign Application Priority Data**

Sep. 6, 2001	(JP)	2001-026262
Sep. 6, 2001	(JP)	2001-026263
Sep. 6, 2001	(JP)	2001-026264

(51) **LOC (7) Cl.** **14-02**

(52) **U.S. Cl.** **D14/385; D14/356**

(58) **Field of Search** **D14/383-386,**
D14/432-438, 240, 299; 355/64, 65, 75,
81; 235/472.01; 439/95, 248; 360/60; D13/147

(56) **References Cited**

U.S. PATENT DOCUMENTS

4,301,486 A	*	11/1981	Brown et al.	360/60
D425,486 S	*	5/2000	Nishio et al.	D13/147

FOREIGN PATENT DOCUMENTS

WO DM/047306 * 1/1999 14/2

* cited by examiner

Primary Examiner—Freda Nunn

(74) *Attorney, Agent, or Firm*—Rader, Fishman & Grauer PLLC

(57) **CLAIM**

The ornamental design for a memory card data reading device, as shown and described.

DESCRIPTION

FIG. 1 is a perspective view of a memory card data reading device;

FIG. 2 is a top plan view thereof;

FIG. 3 is a bottom plan view thereof;

FIG. 4 is a front elevation view thereof;

FIG. 5 is a rear elevation view thereof;

FIG. 6 is a right side view thereof;

FIG. 7 is a left side view thereof;

FIG. 8 is a sectional view for reference, a memory card being installed in the memory card data reading device;

FIG. 9 is a perspective view for reference illustrating a state where a holder for a memory card is detached from an electric connector, the holder and the connector are elements of the memory card data reading device;

FIG. 10 is a perspective view of the holder;

FIG. 11 is a top plan view of the holder;

FIG. 12 is a bottom plan view of the holder;

FIG. 13 is a front elevation view of the holder;

FIG. 14 is a rear elevation view of the holder;

FIG. 15 is a right side view of the holder;

FIG. 16 is a left side view of the holder;

FIG. 17 is a perspective view of the electric connector;

FIG. 18 is a top plan view of the electric connector;

FIG. 19 is a bottom plan view of the electric connector;

FIG. 20 is a front elevation view of the electric connector;

FIG. 21 is a rear elevation view of the electric connector;

FIG. 22 is a right side view of the electric connector; and,

FIG. 23 is a left side view of the electric connector.

1 Claim, 11 Drawing Sheets

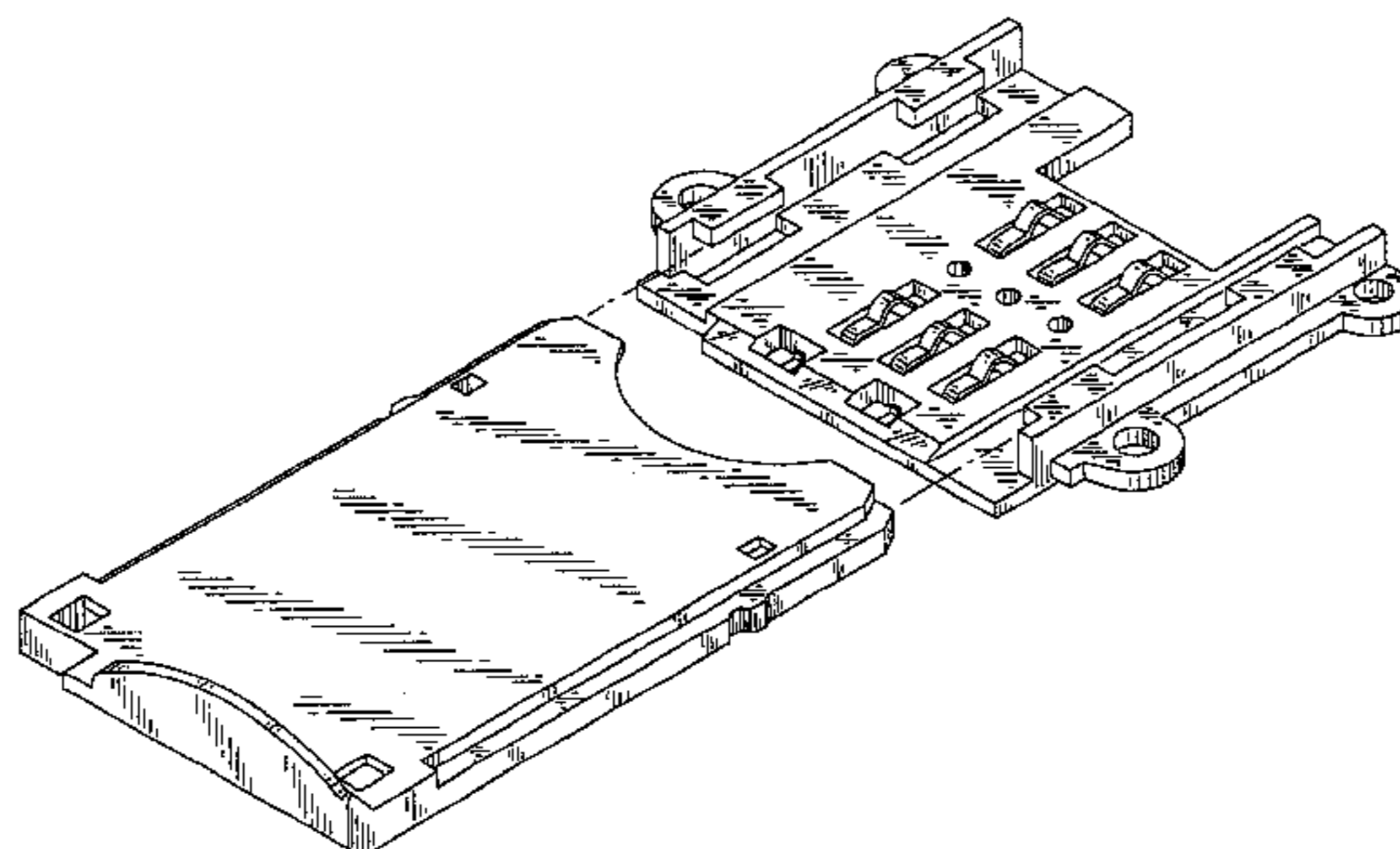
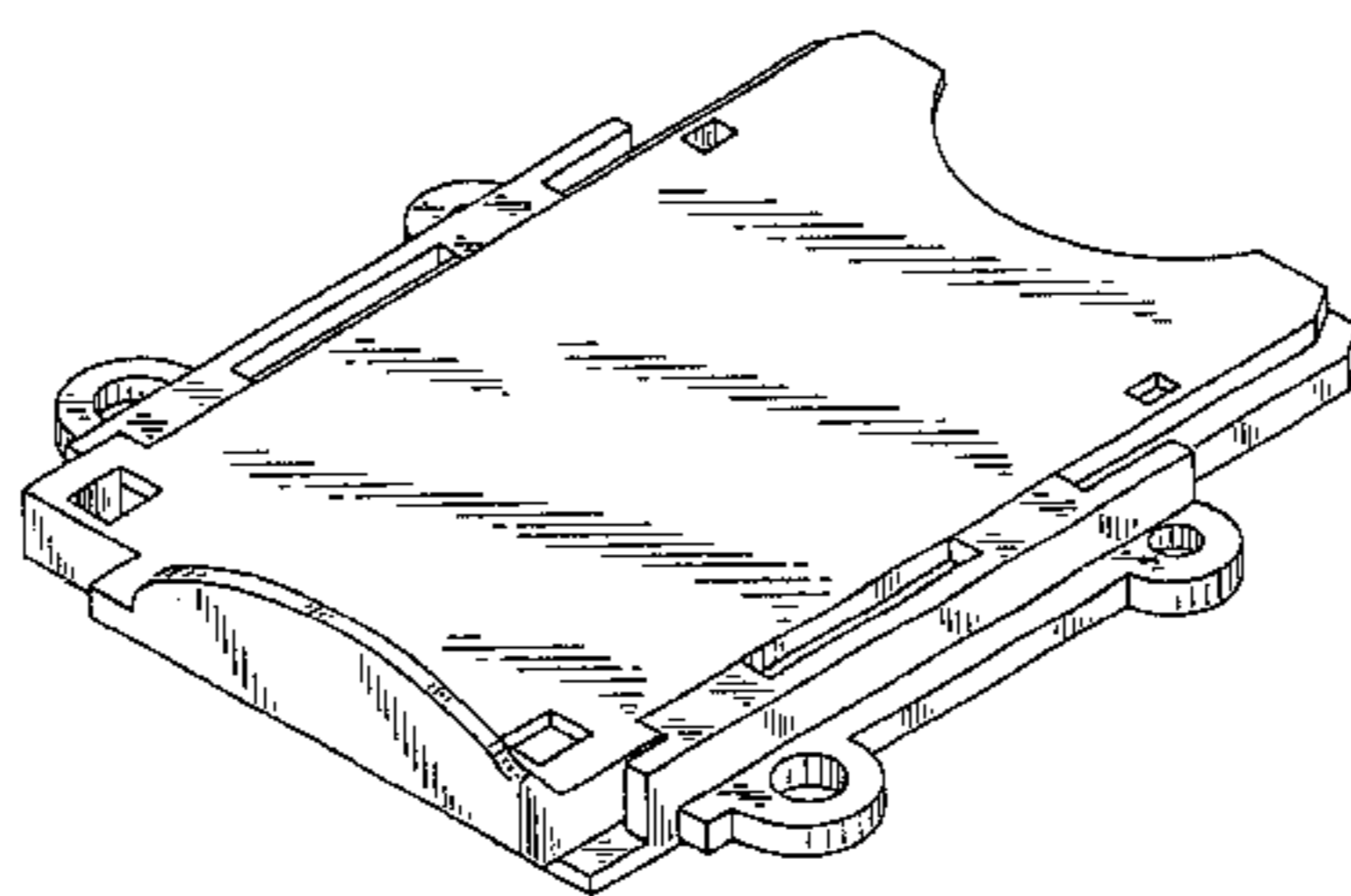


FIG. 1

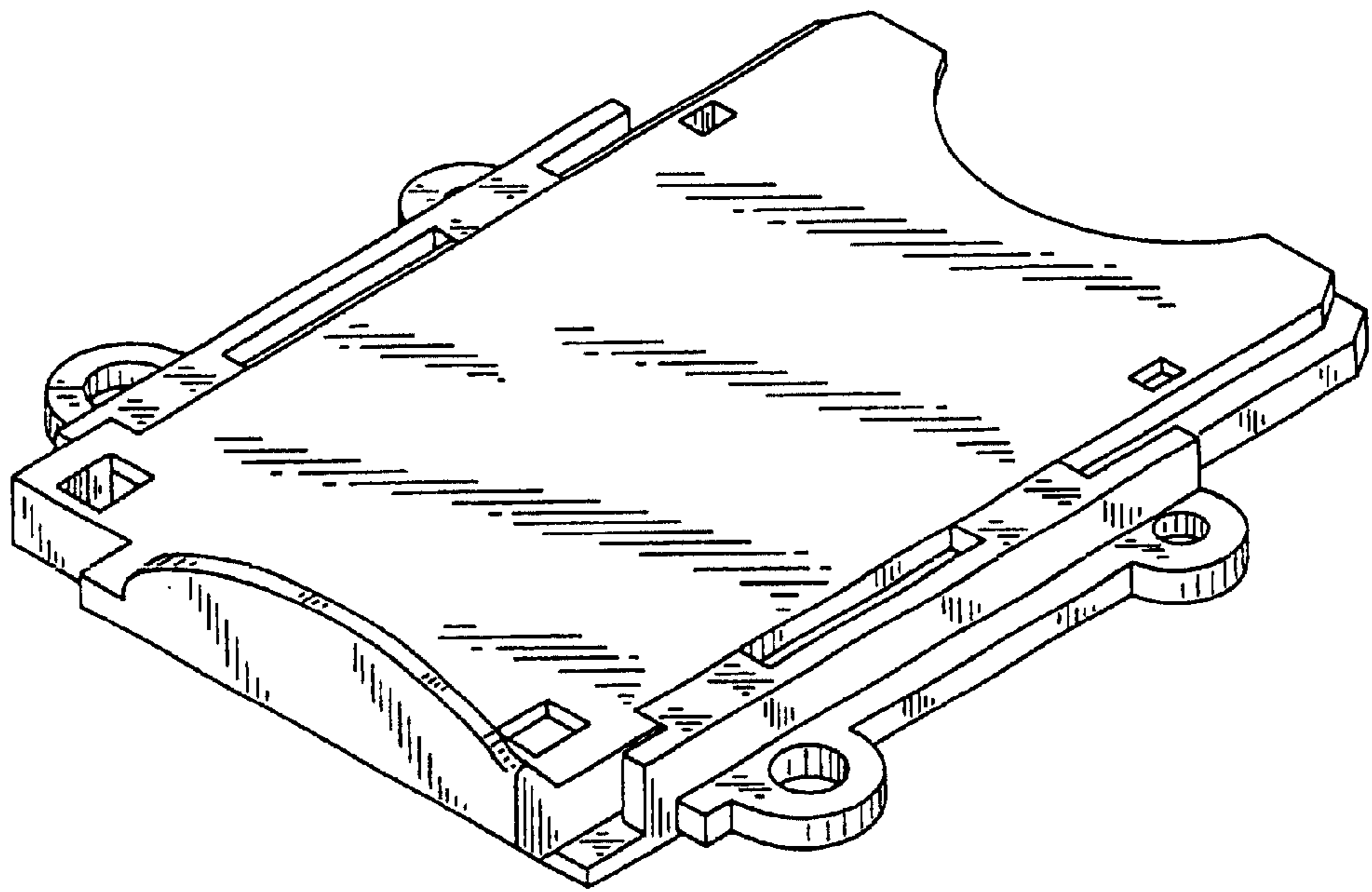


FIG. 2

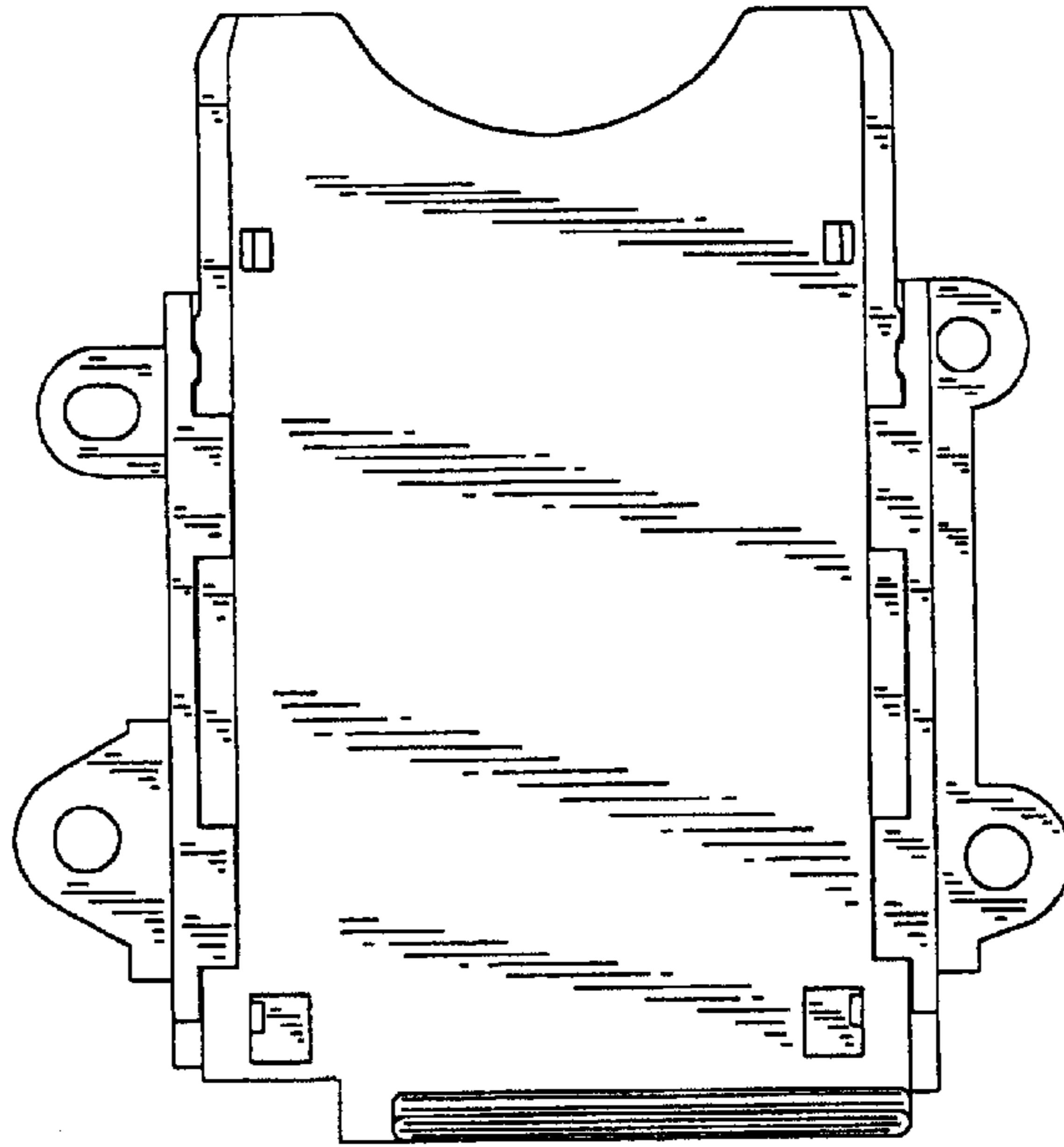


FIG. 3

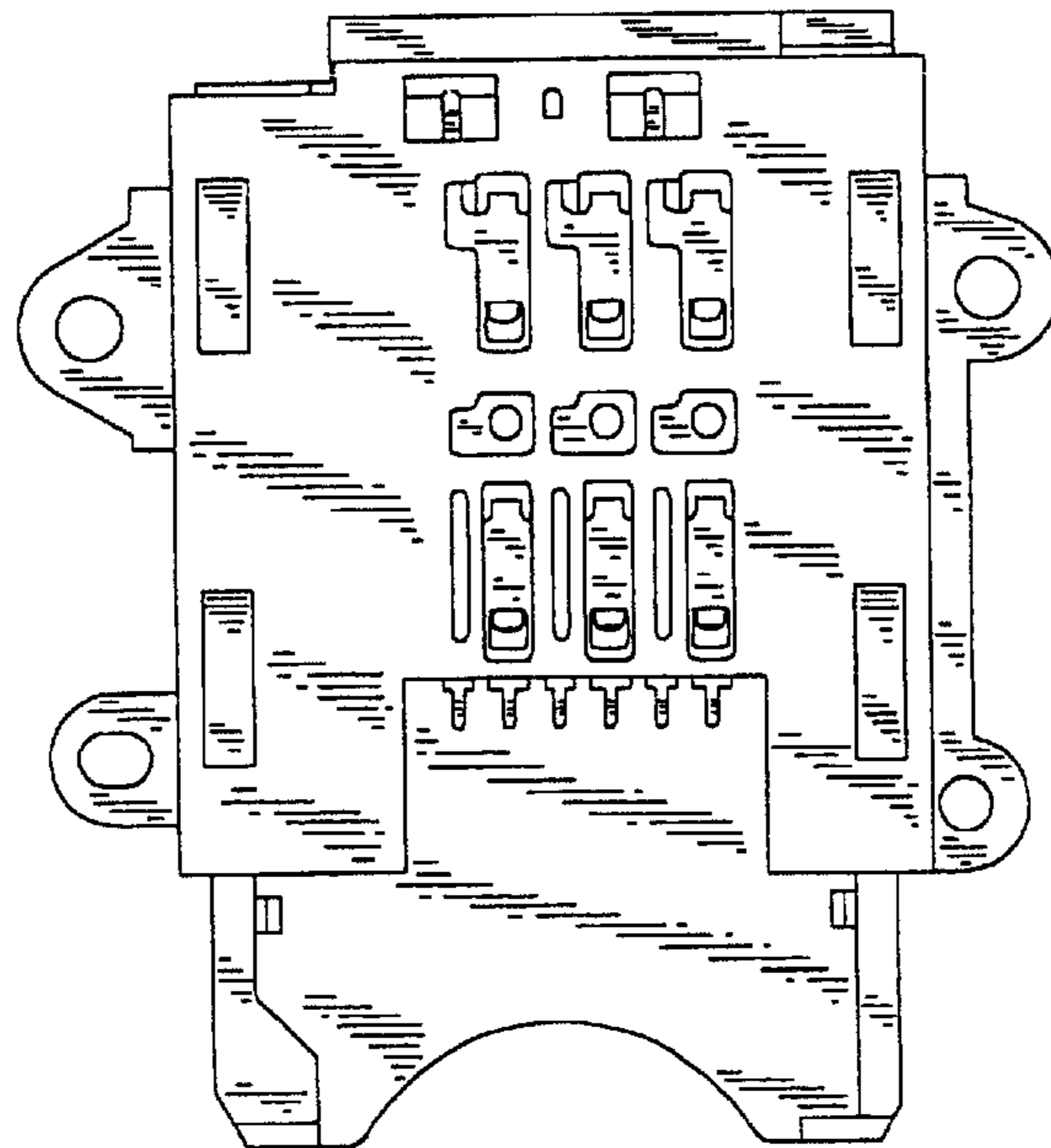


FIG. 4

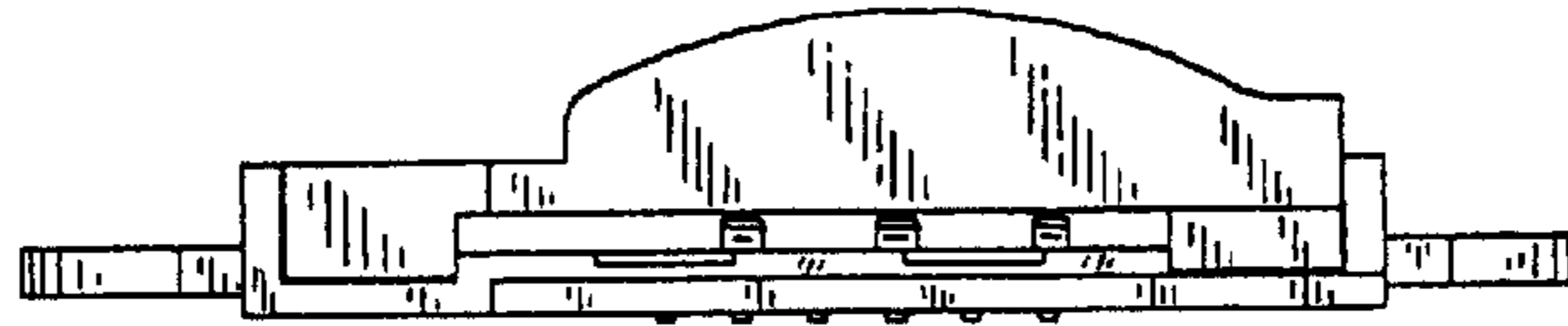


FIG. 5

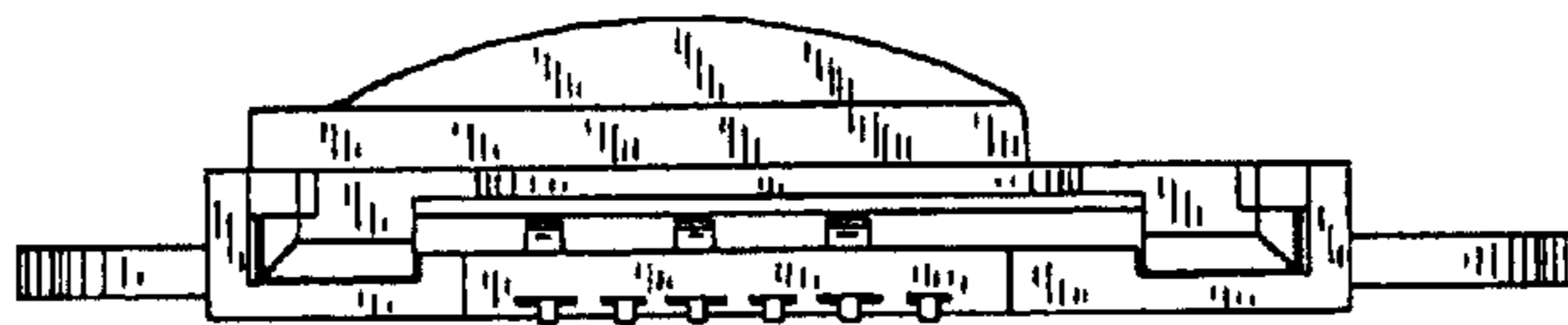


FIG. 6

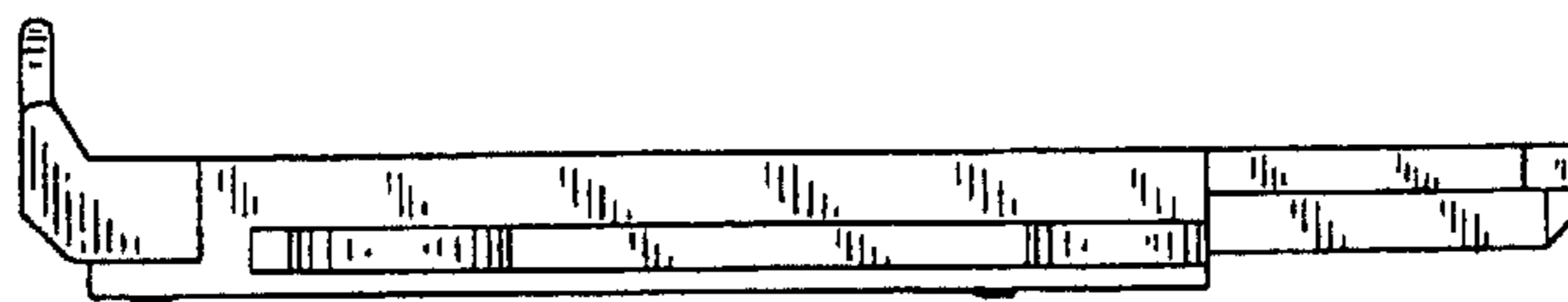


FIG. 7



FIG. 8

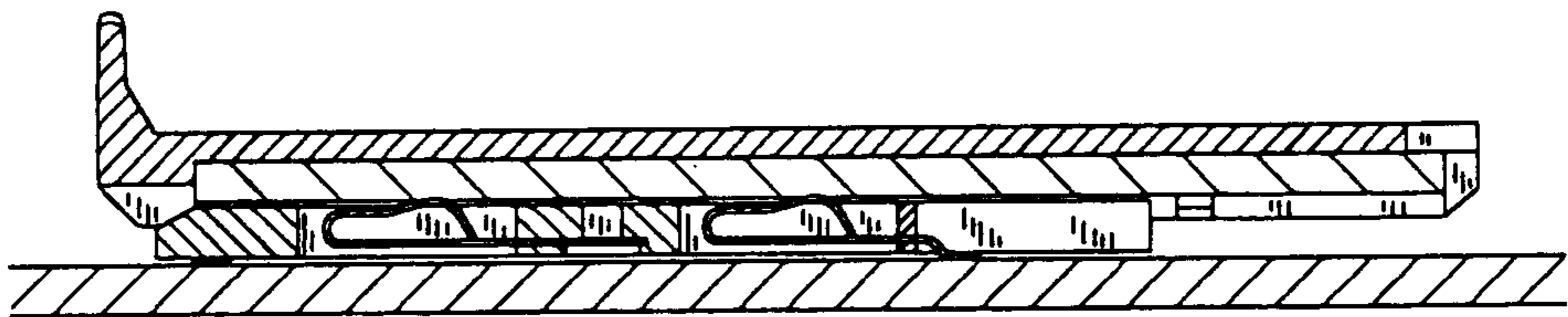


FIG. 9

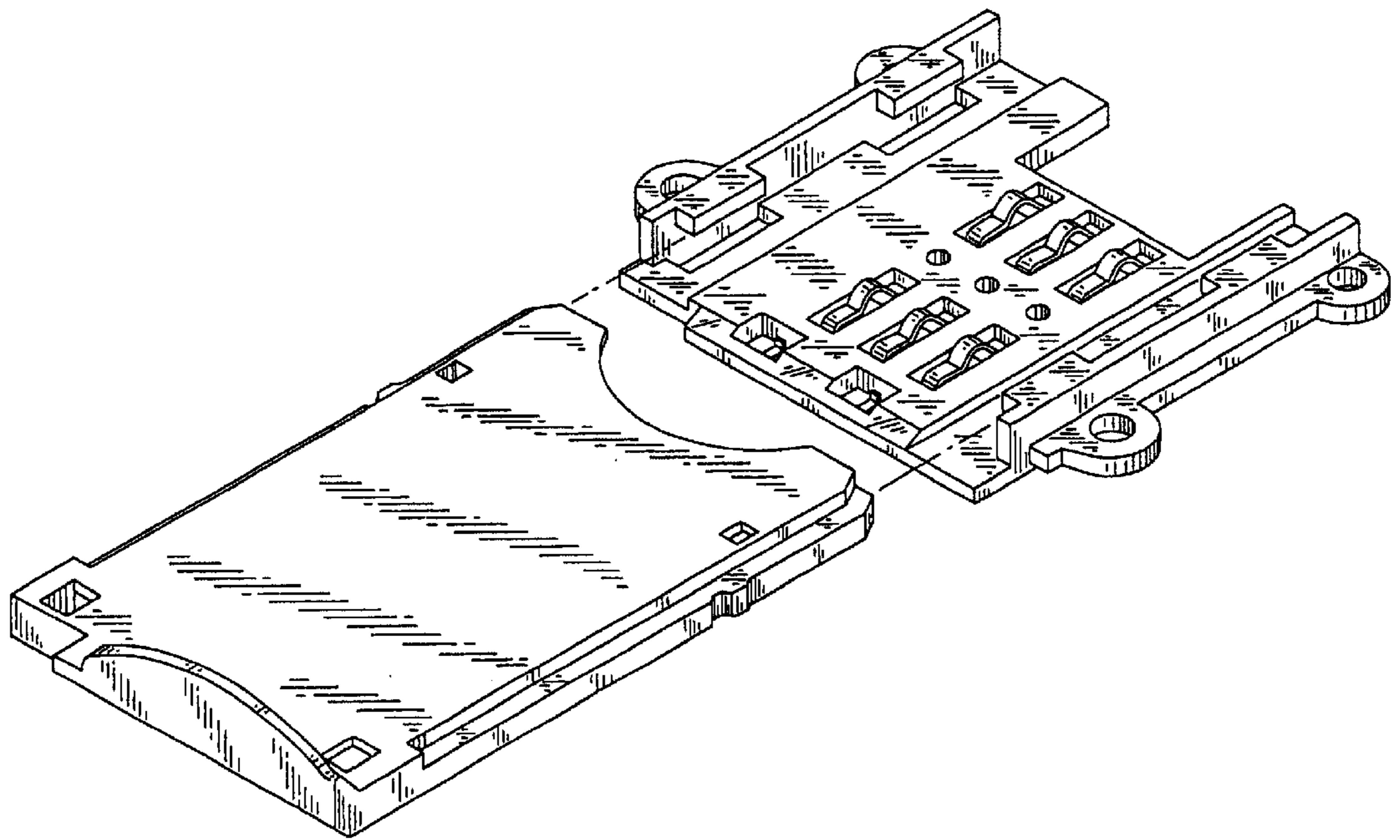


FIG. 10

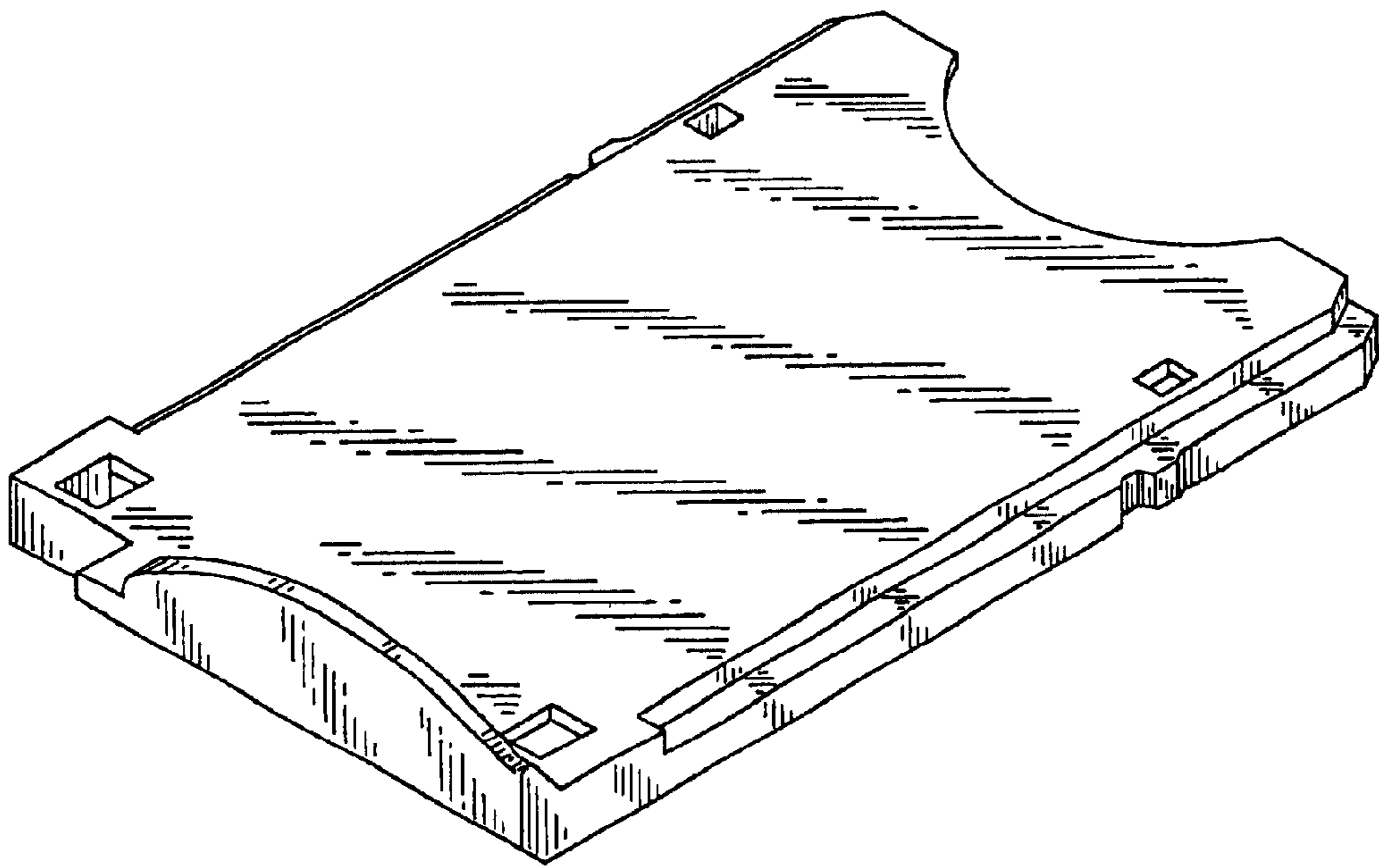


FIG. 11

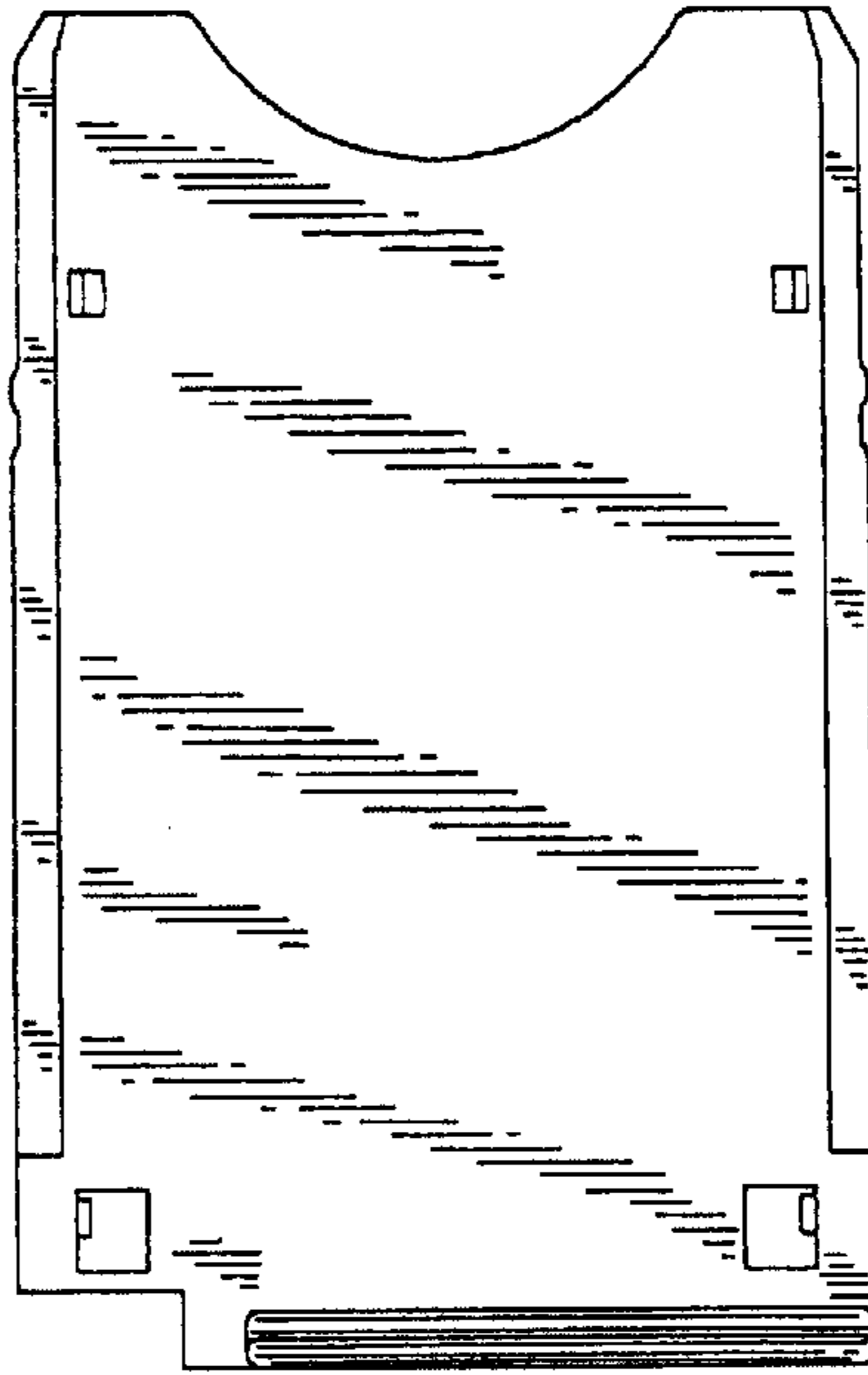


FIG. 12

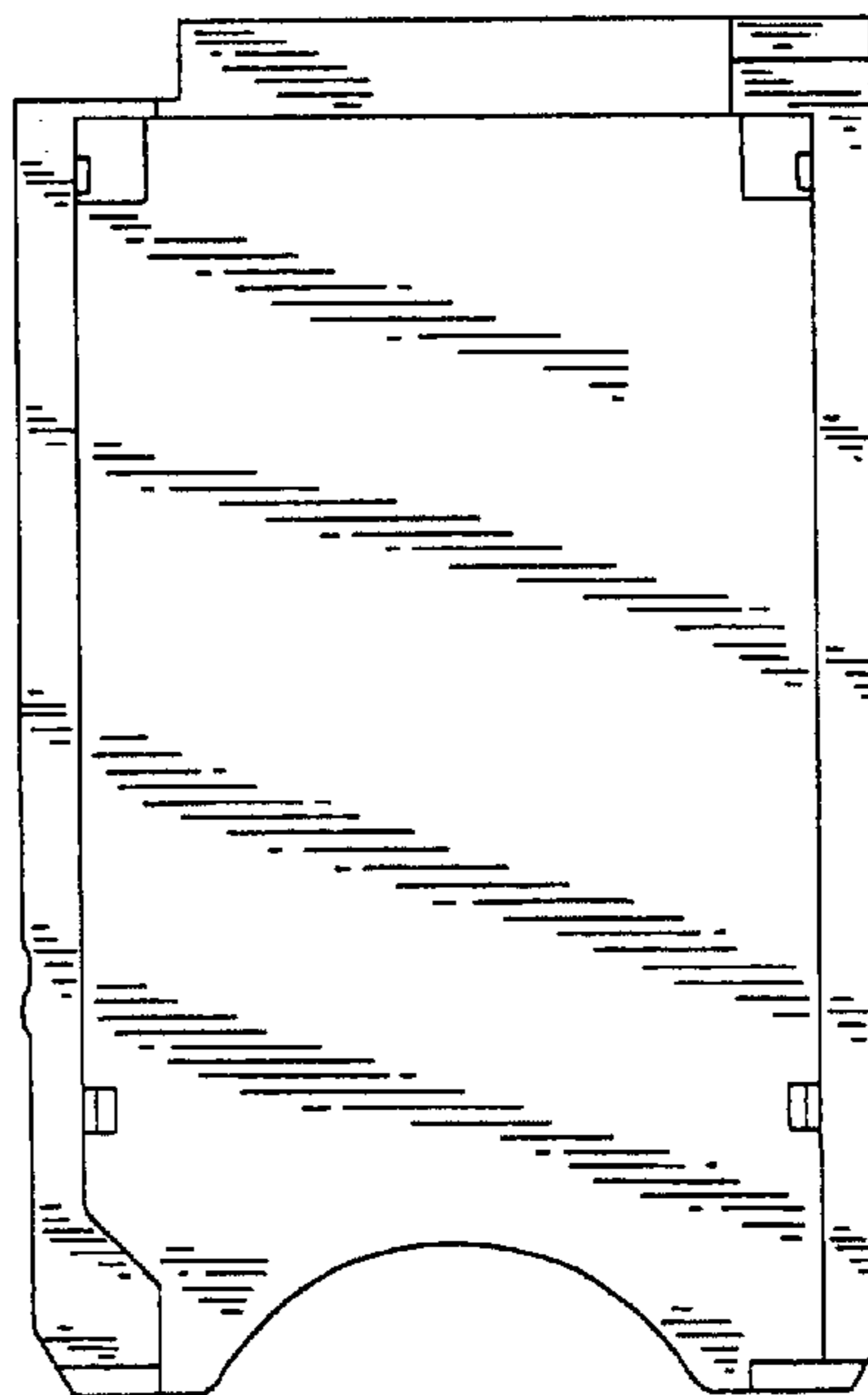


FIG. 13

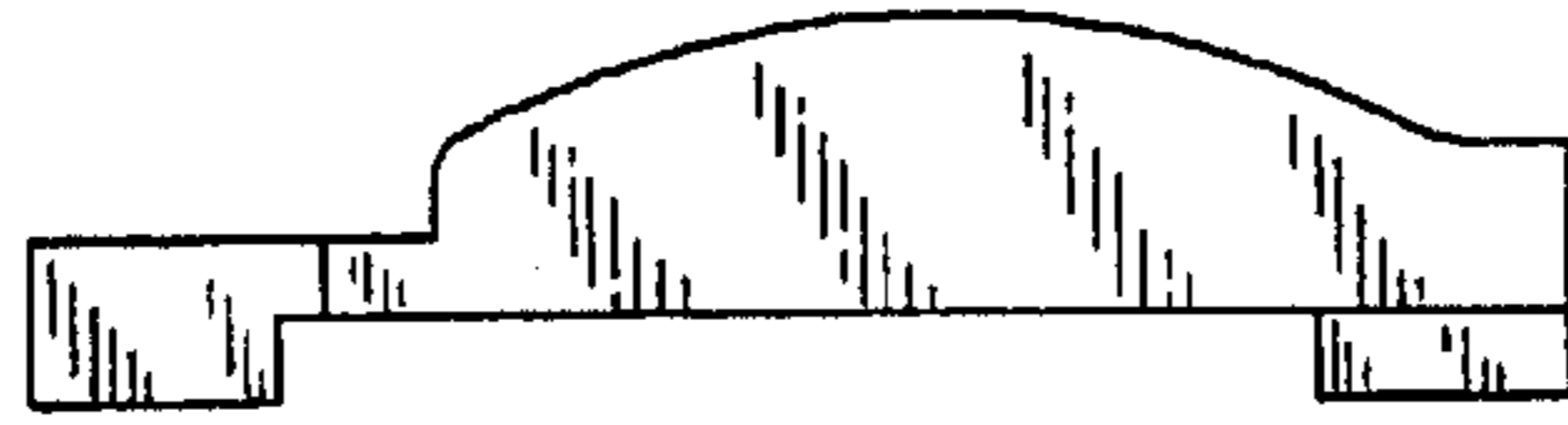


FIG. 14

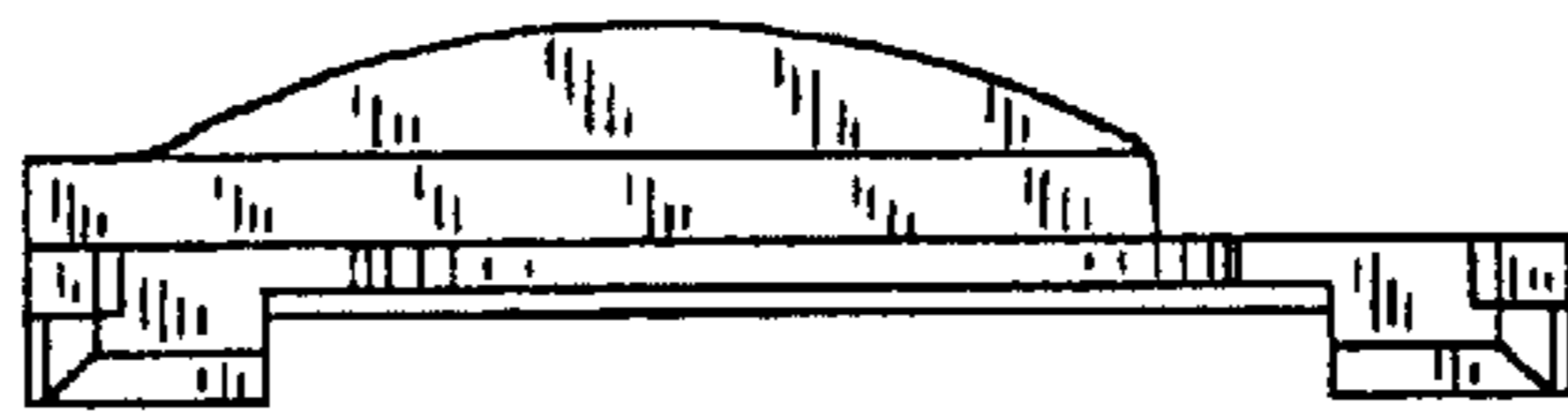


FIG. 15

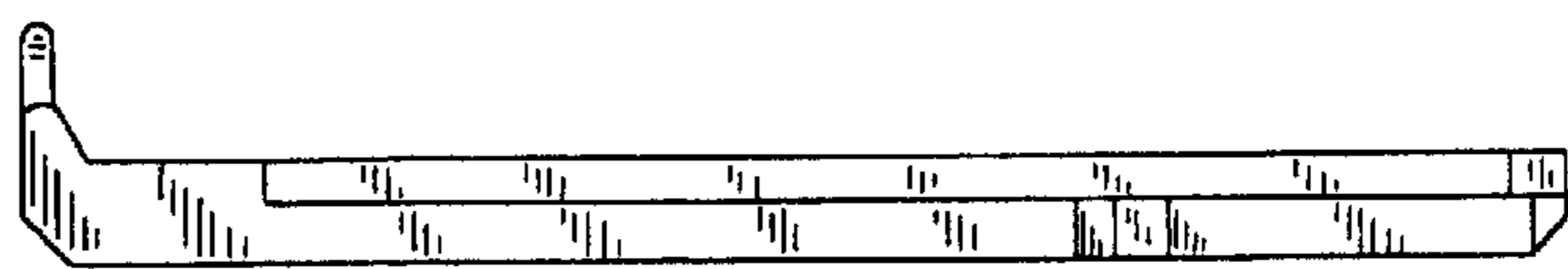


FIG. 16

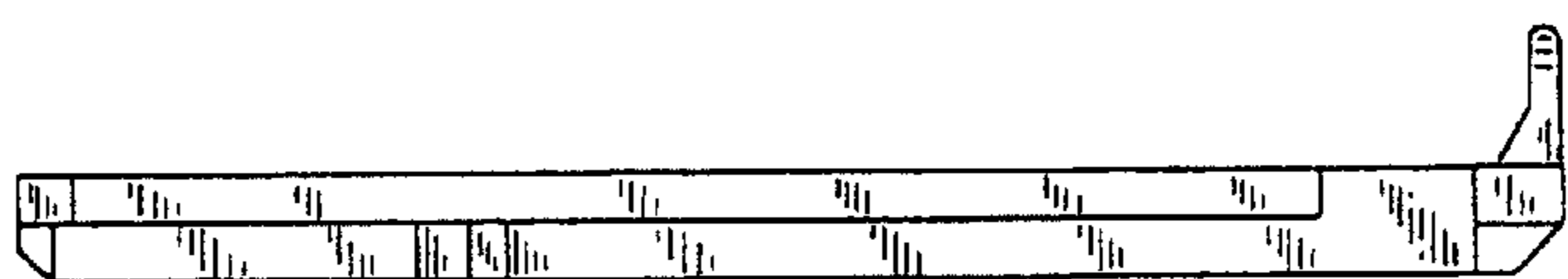


FIG. 17

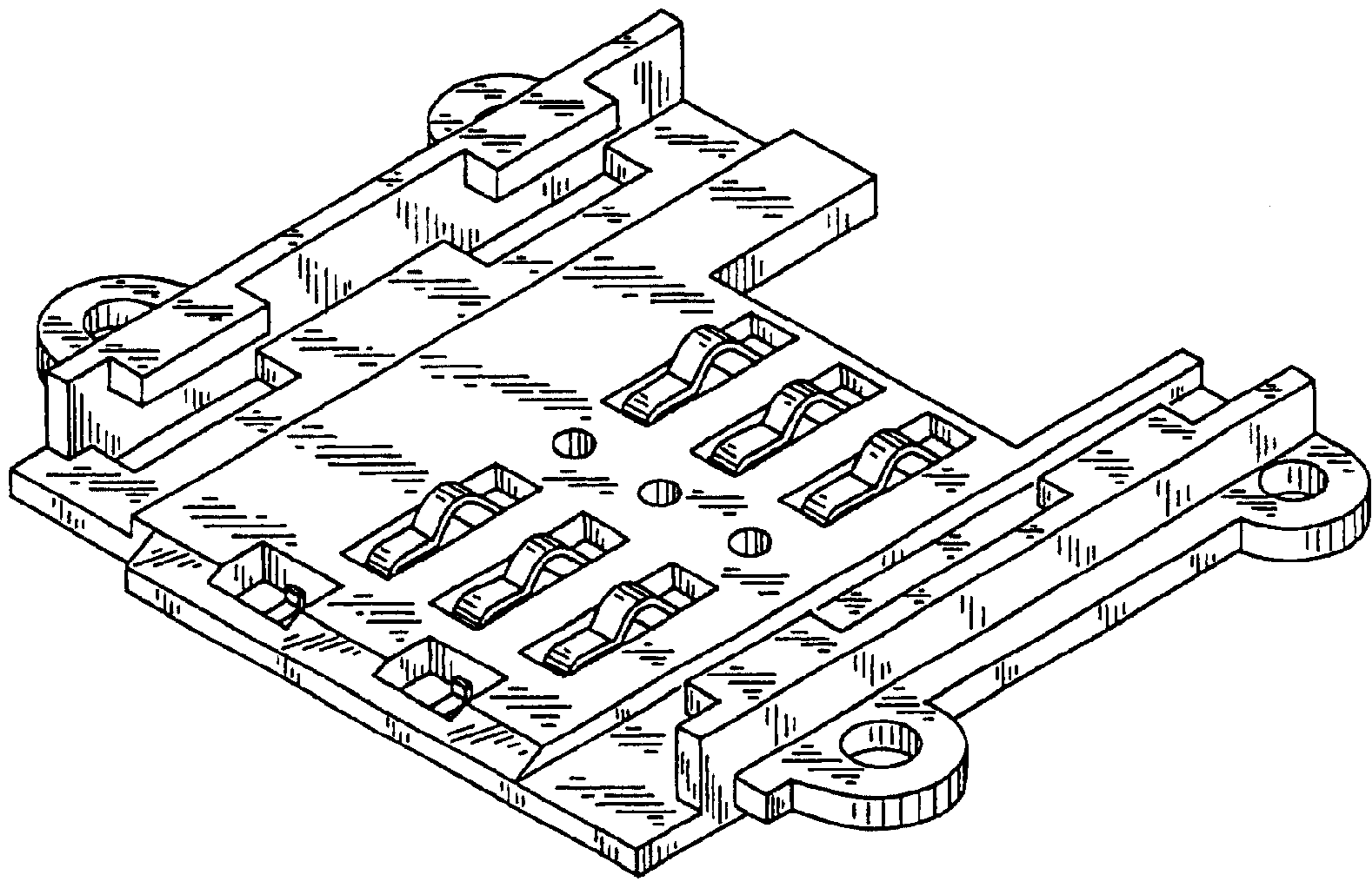


FIG. 18

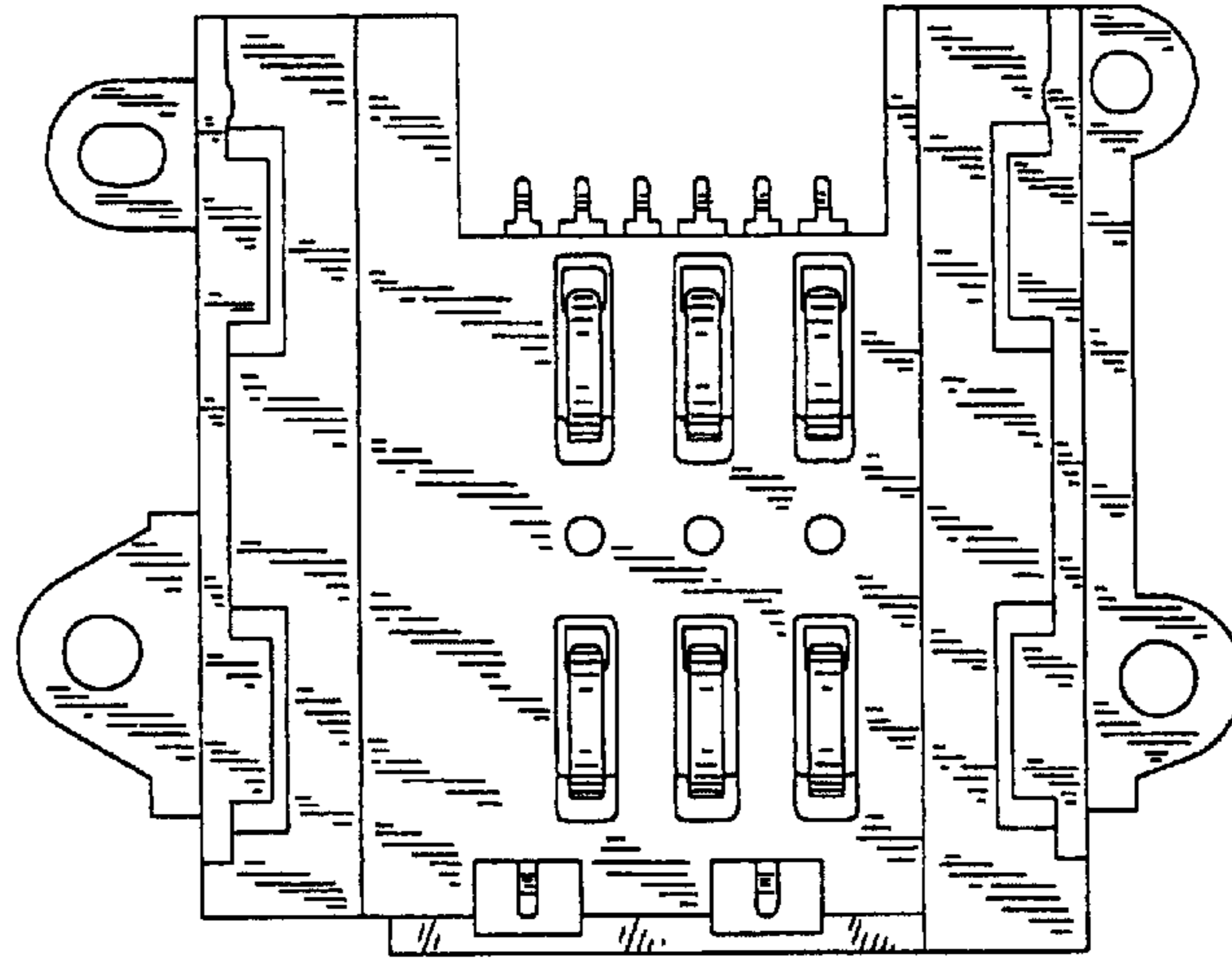


FIG. 19

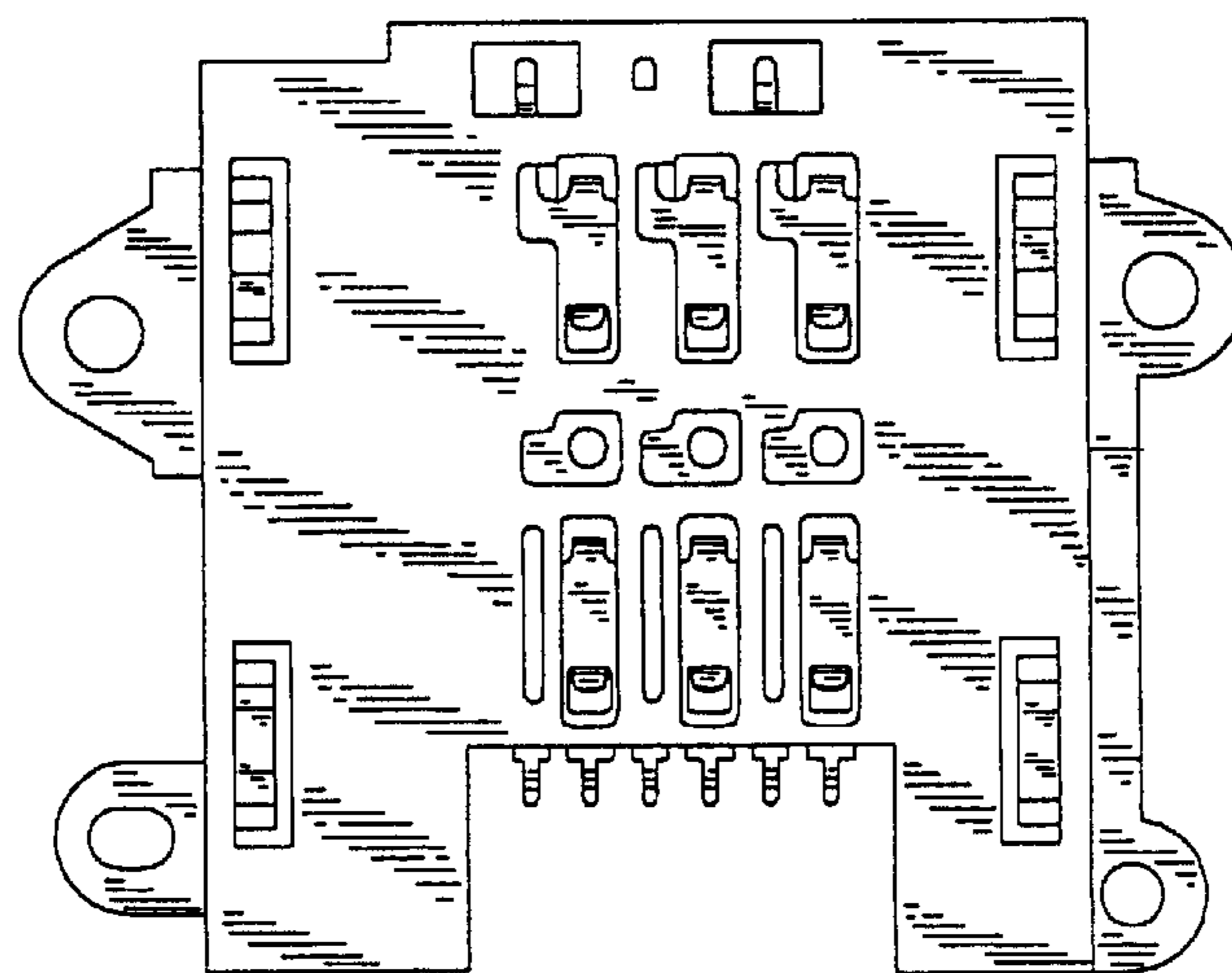


FIG. 20

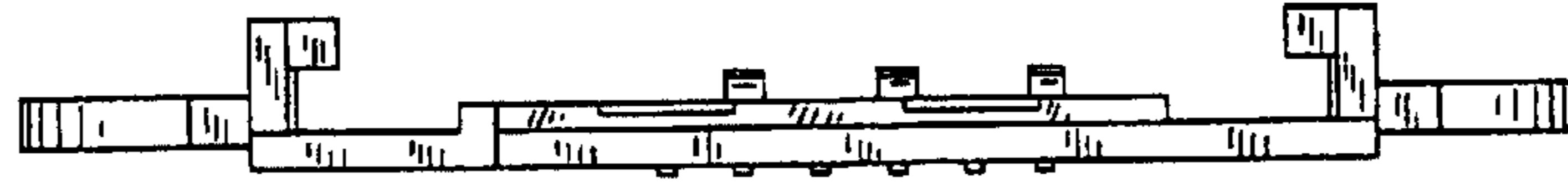


FIG. 21

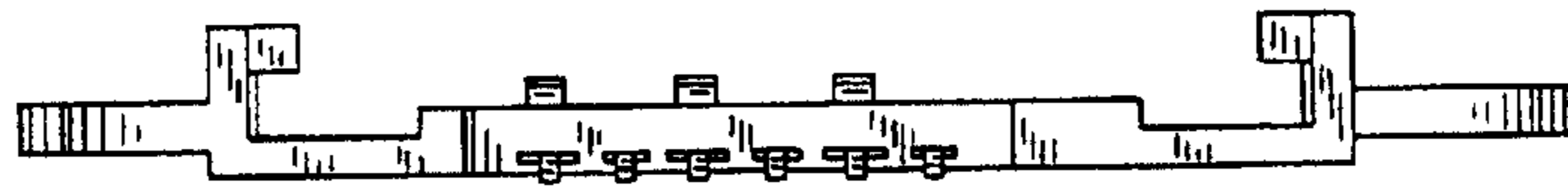


FIG. 22

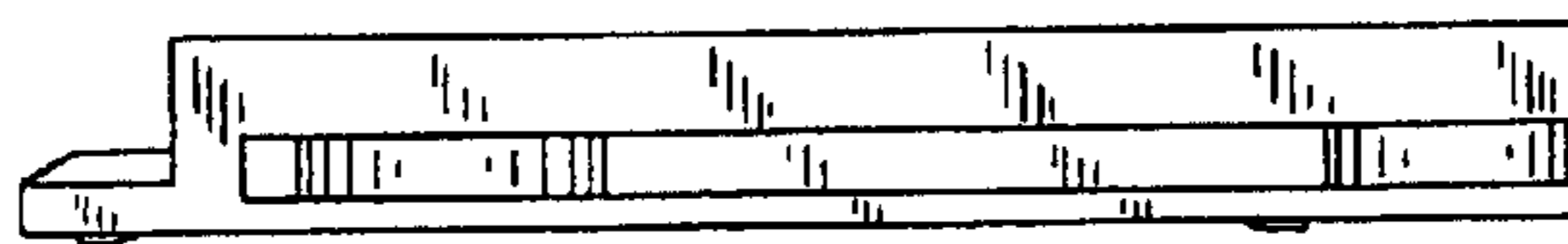


FIG. 23

