



US00D485835S

(12) **United States Design Patent**
Ritson et al.

(10) **Patent No.: US D485,835 S**

(45) **Date of Patent: ** Jan. 27, 2004**

(54) **COMPUTER EQUIPMENT**

(75) Inventors: **Nigel D. Ritson**, Aldershot (GB); **Paul J. Garnett**, Camberley (GB)

(73) Assignee: **Sun Microsystems, Inc.**, Santa Clara, CA (US)

(**) Term: **14 Years**

(21) Appl. No.: **29/172,889**

(22) Filed: **Dec. 18, 2002**

(30) **Foreign Application Priority Data**

Jun. 18, 2002 (GB) 3004562

(51) **LOC (7) Cl.** **14-02**

(52) **U.S. Cl.** **D14/300; D14/313**

(58) **Field of Search** D14/300-313,
D14/348-356; 312/223.2; 361/683, 684,
687, 690, 695, 724-730, 796

(56) **References Cited**

U.S. PATENT DOCUMENTS

3,710,199 A * 1/1973 Cignoni, Jr. 361/727 X
4,012,089 A * 3/1977 Ward 312/236
6,220,456 B1 * 4/2001 Jensen et al. 211/26

6,249,441 B1 * 6/2001 Barbier et al. 361/796
6,373,707 B1 * 4/2002 Hutchins 361/725
6,392,884 B1 * 5/2002 Chou 361/687
2003/0002261 A1 * 1/2003 Berry et al. 361/727

* cited by examiner

Primary Examiner—Joel Sincavage

(74) *Attorney, Agent, or Firm*—Meyertons Hood Kivlin
Kowert & Goetzel, P.C.; B. Noël Kivlin

(57) **CLAIM**

The ornamental design for computer equipment, as shown and described.

DESCRIPTION

FIG. 1 is a front perspective view from above and one side of computer equipment.

FIG. 2 is a rear perspective view from below and other side of computer equipment.

FIG. 3 is a plan view of computer equipment.

FIG. 4 is an underneath plan view of computer equipment.

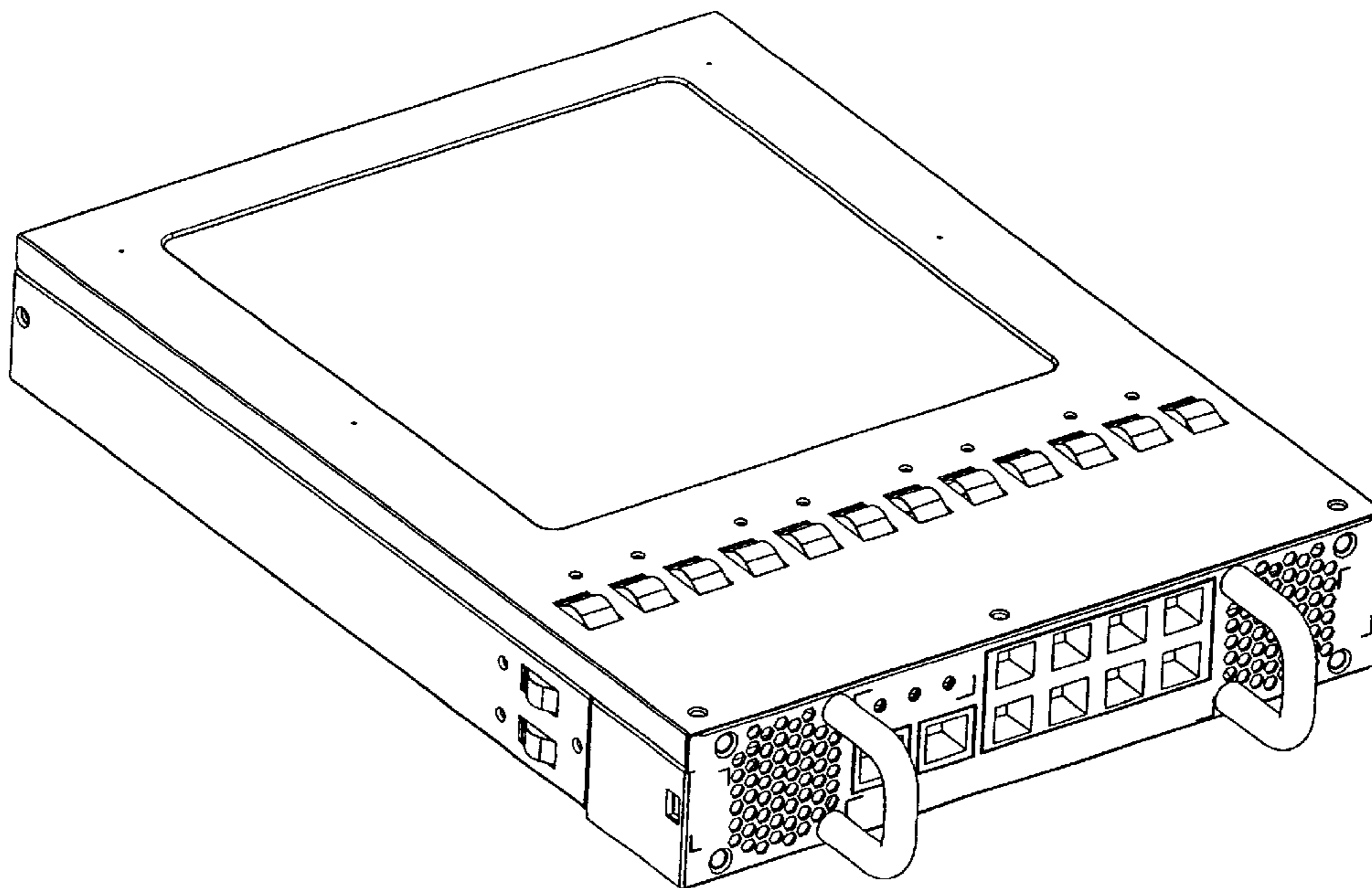
FIG. 5 is a side view of computer equipment.

FIG. 6 is another side view of computer equipment.

FIG. 7 is a front view of computer equipment; and,

FIG. 8 is a rear view of computer equipment.

1 Claim, 3 Drawing Sheets



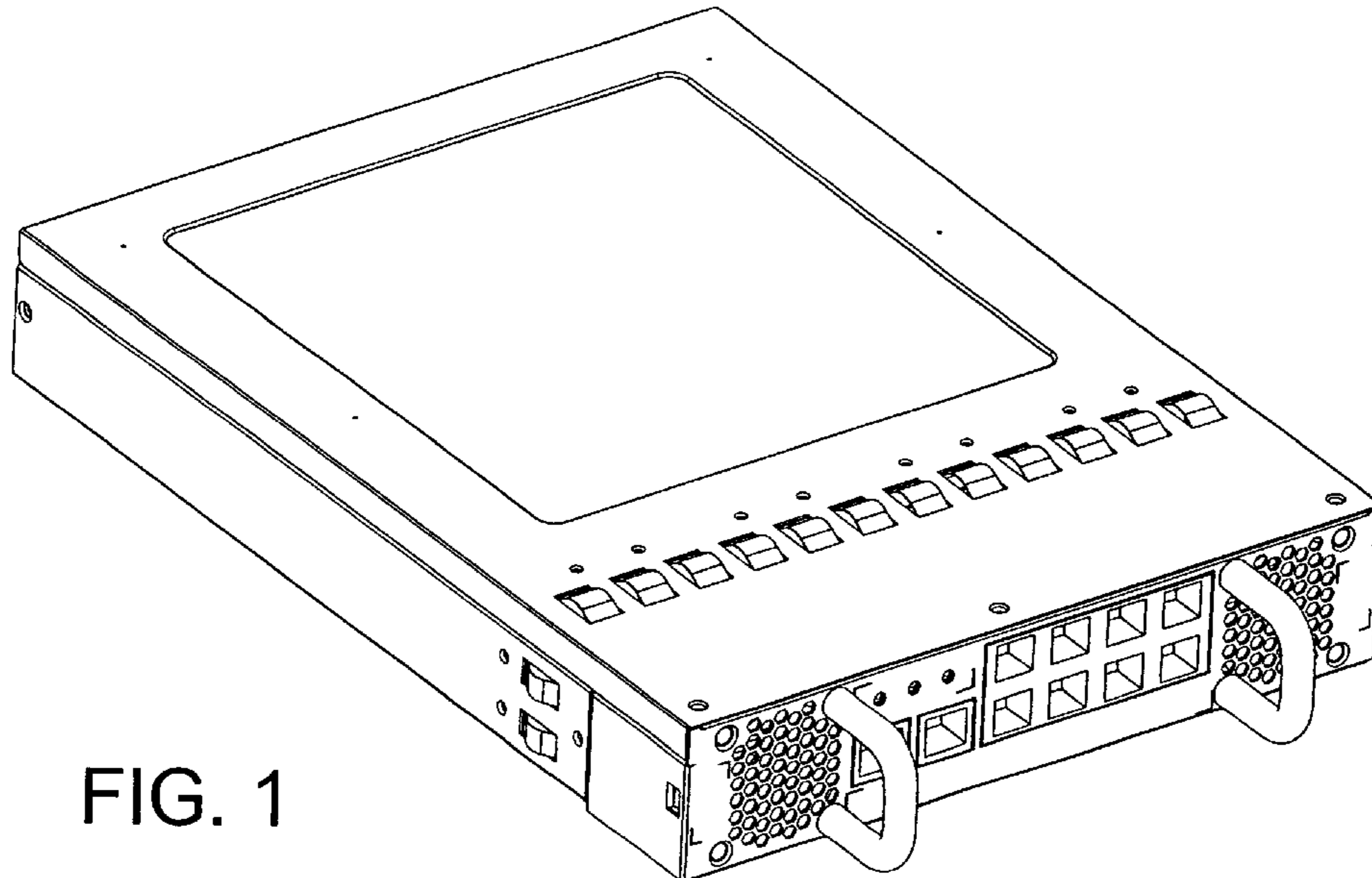


FIG. 1

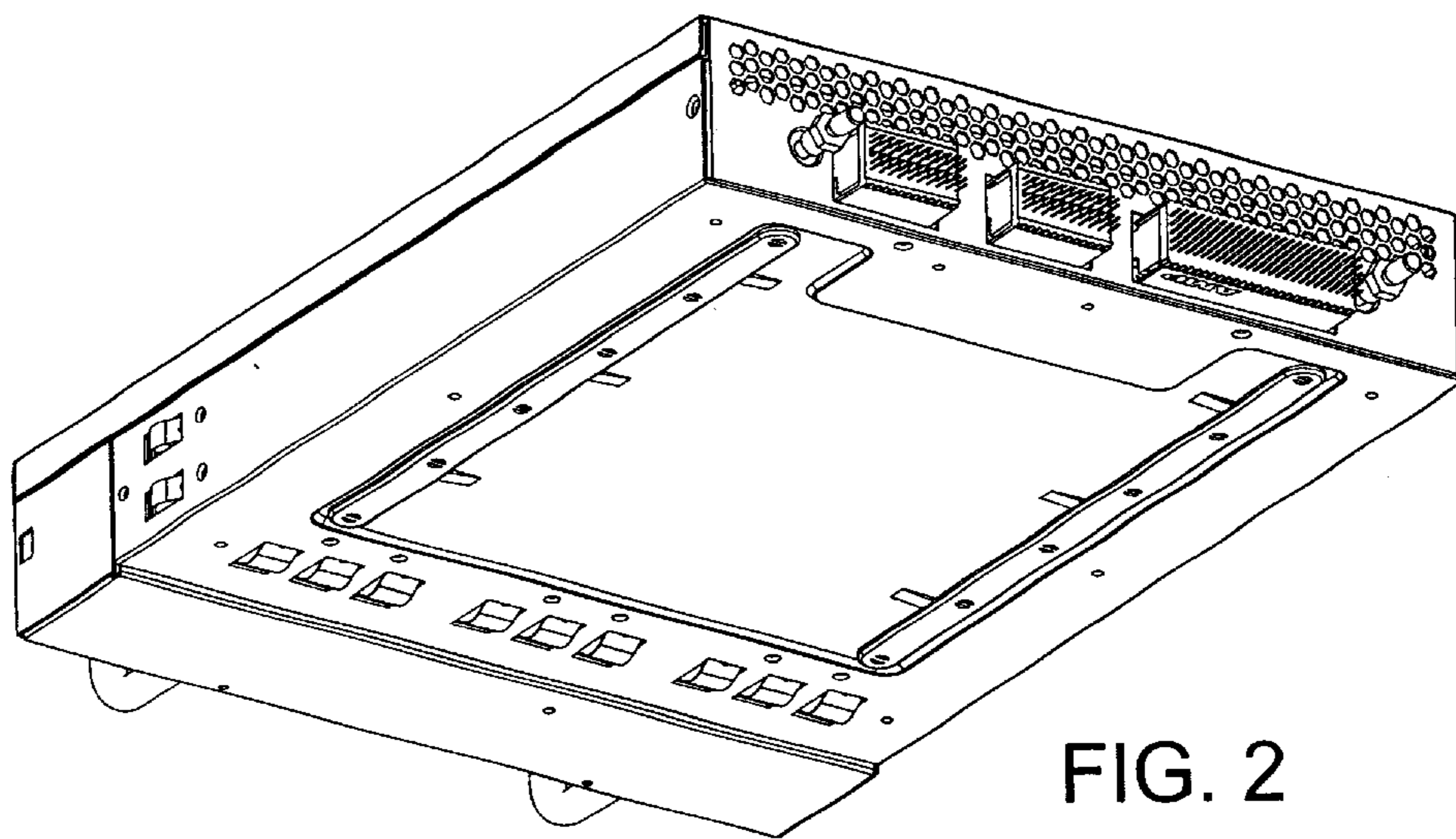


FIG. 2

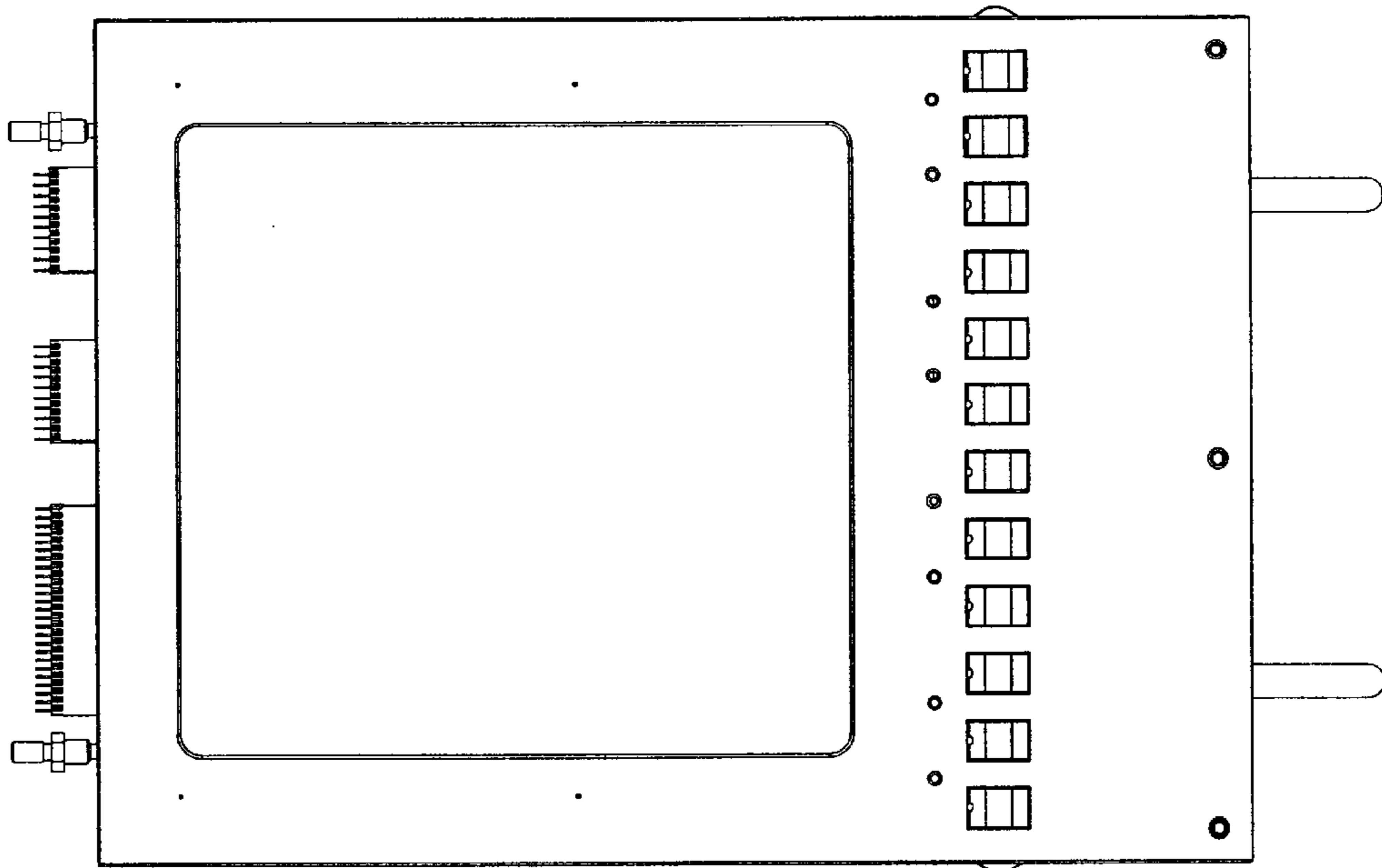


FIG. 3

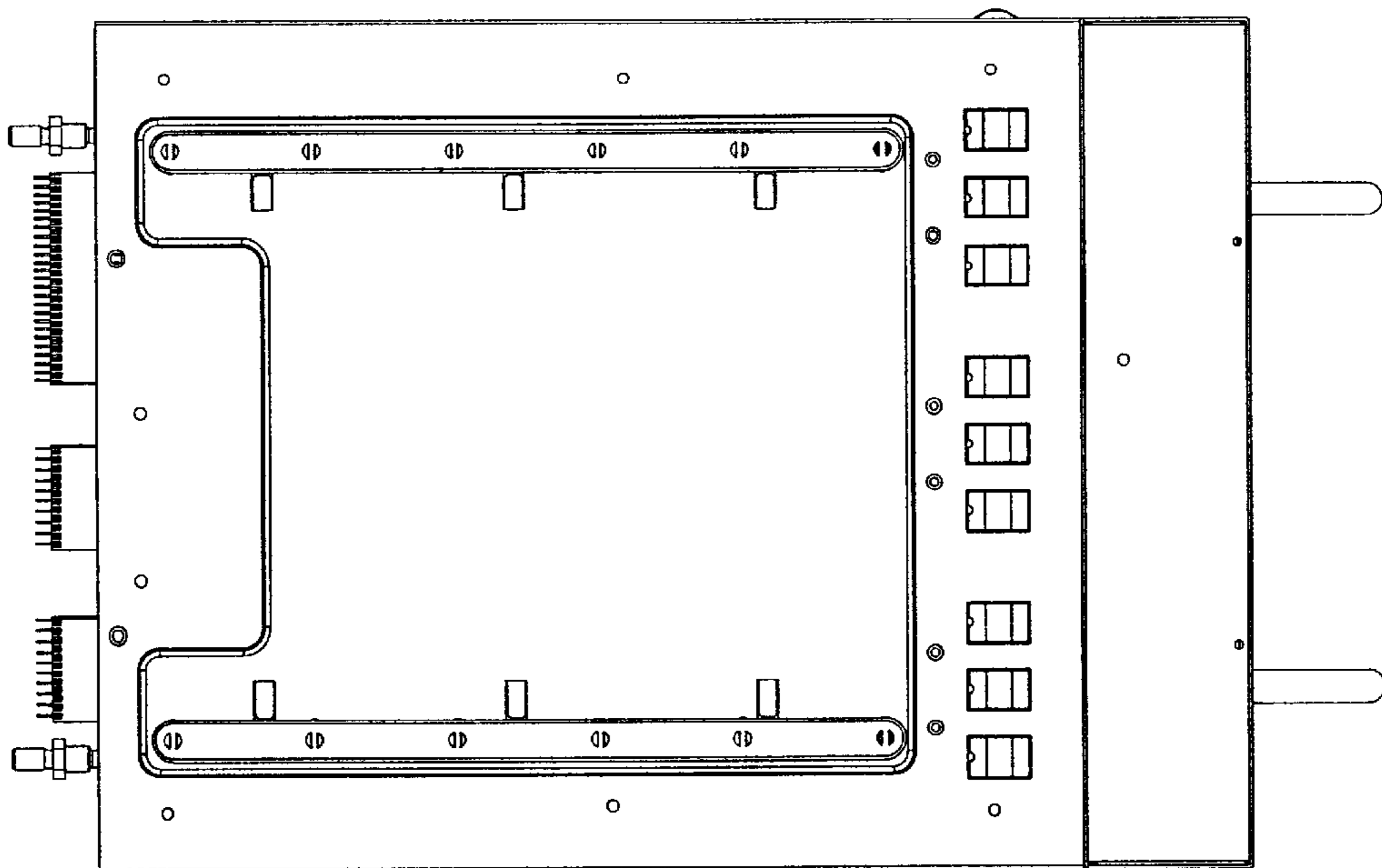


FIG. 4

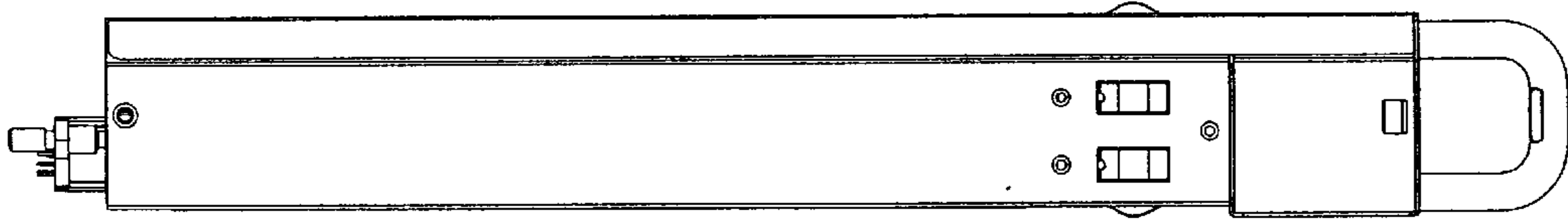


FIG. 5

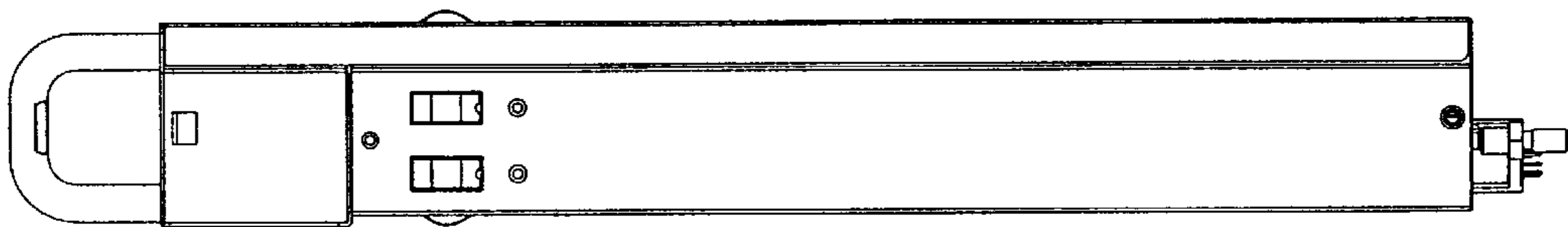


FIG. 6

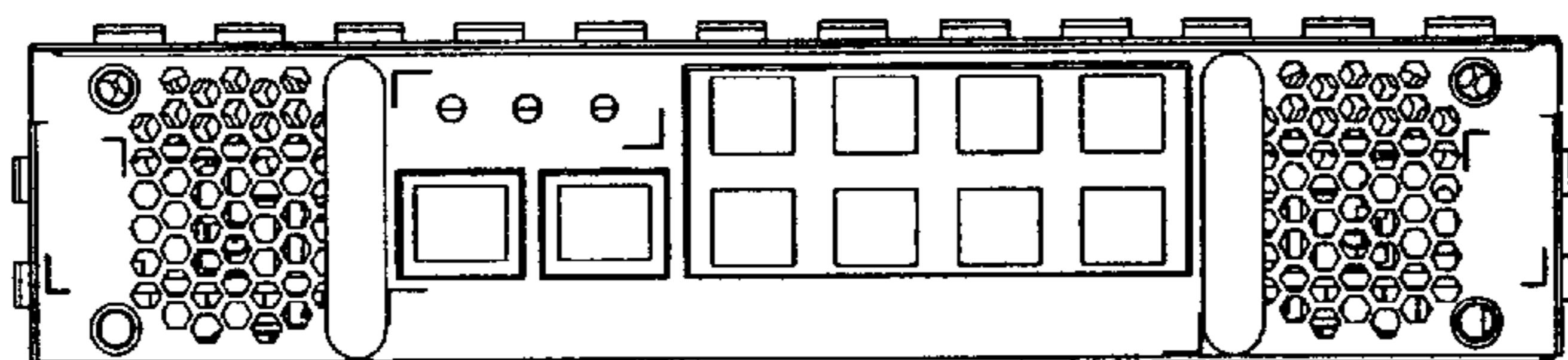


FIG. 7

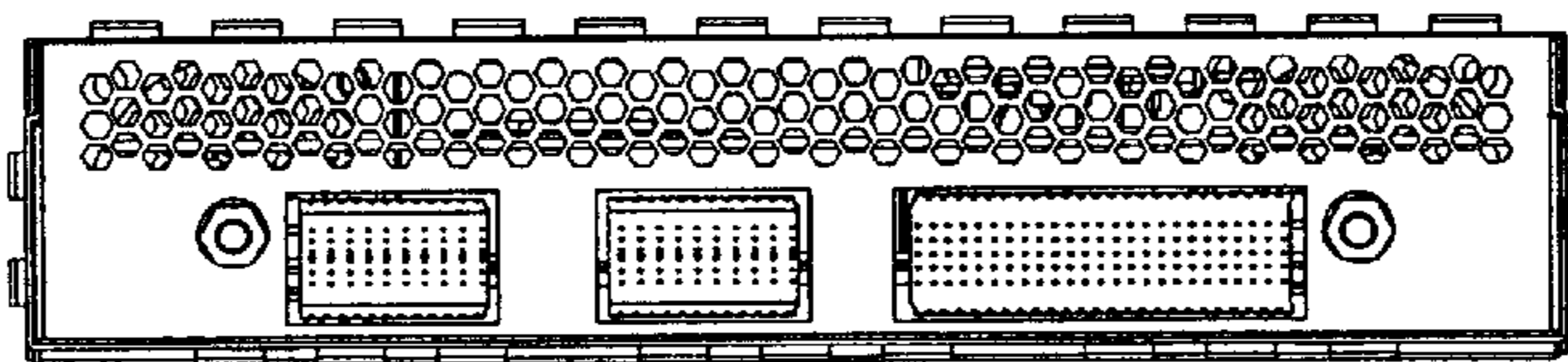


FIG. 8