



US00D485830S

(12) **United States Design Patent**
Chen

(10) **Patent No.:** **US D485,830 S**

(45) **Date of Patent:** **** Jan. 27, 2004**

(54) **NETWORK SYSTEM COUPLING CASE**

(75) **Inventor:** **I Tao Chen, Hsin Chuang (TW)**

(73) **Assignee:** **Global Sun Technology Inc., Taipei (TW)**

(**) **Term:** **14 Years**

(21) **Appl. No.:** **29/174,088**

(22) **Filed:** **Jan. 9, 2003**

(51) **LOC (7) Cl.** **14-03**

(52) **U.S. Cl.** **D14/240; D14/242**

(58) **Field of Search** **D14/242, 240, D14/553, 299, 433, 256; 379/440, 93.08, 93.09, 93.15, 93.16, 165; D13/184, 152; 361/622; 455/500-556; 375/200-225**

(56) **References Cited**

U.S. PATENT DOCUMENTS

D301,877 S * 6/1989 Greenberg et al. D14/242
D303,252 S * 9/1989 Shih D14/242

D346,606 S * 5/1994 Harris et al. D14/242
D354,500 S * 1/1995 Georgopoulos D14/242
D355,658 S * 2/1995 Brandt et al. D14/242
D464,044 S * 10/2002 Wang et al. D14/240

* cited by examiner

Primary Examiner—Charles A. Rademaker

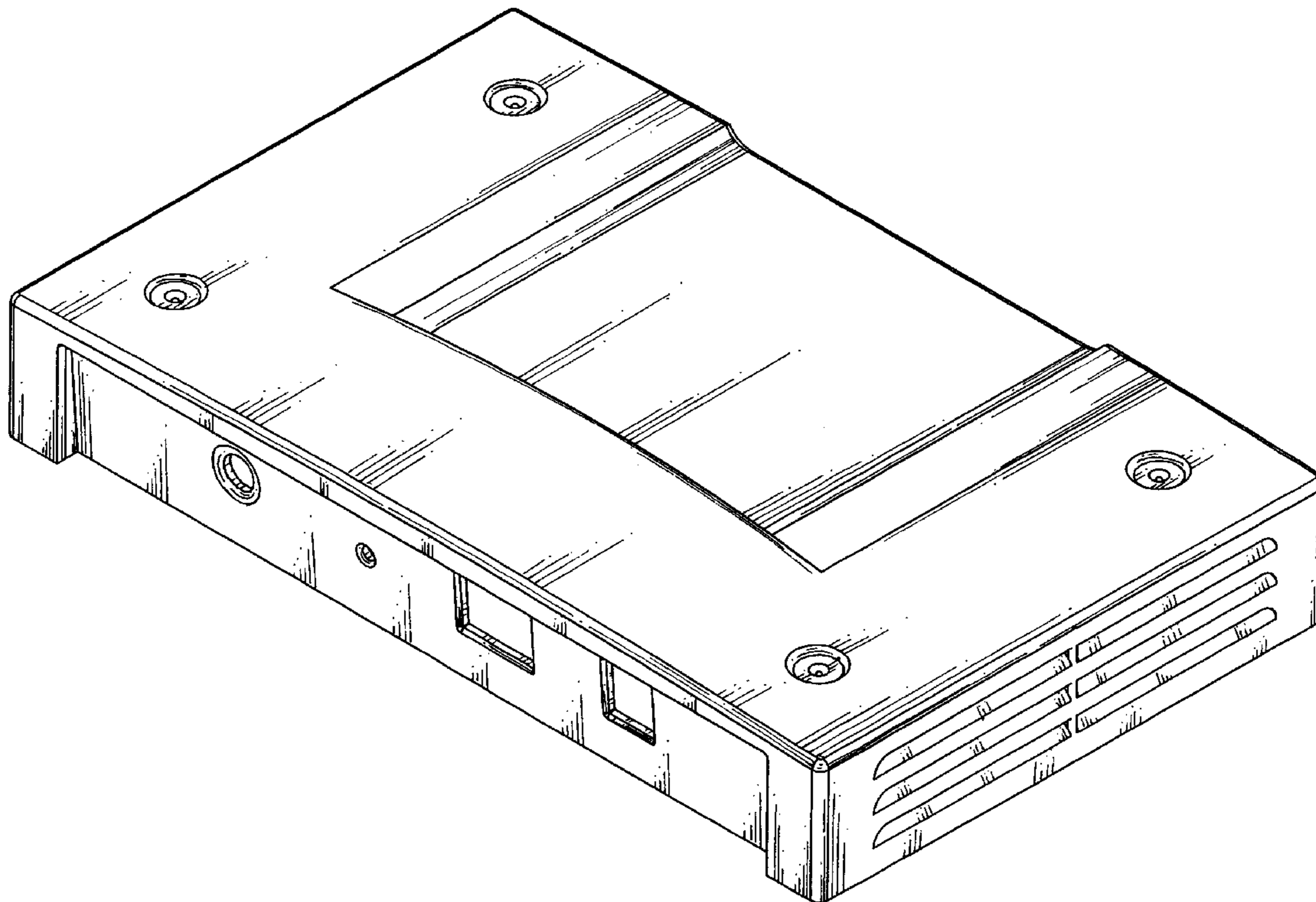
(57) **CLAIM**

The ornamental design for a network system coupling case, as shown and described.

DESCRIPTION

FIG. 1 is a perspective view of a network system coupling case showing my new design;
FIG. 2 is a front elevational view thereof;
FIG. 3 is a rear elevational view thereof;
FIG. 4 is a top plan view thereof;
FIG. 5 is a bottom plan view thereof;
FIG. 6 is a left side elevational view thereof; and,
FIG. 7 is a right side elevational view thereof.

1 Claim, 5 Drawing Sheets



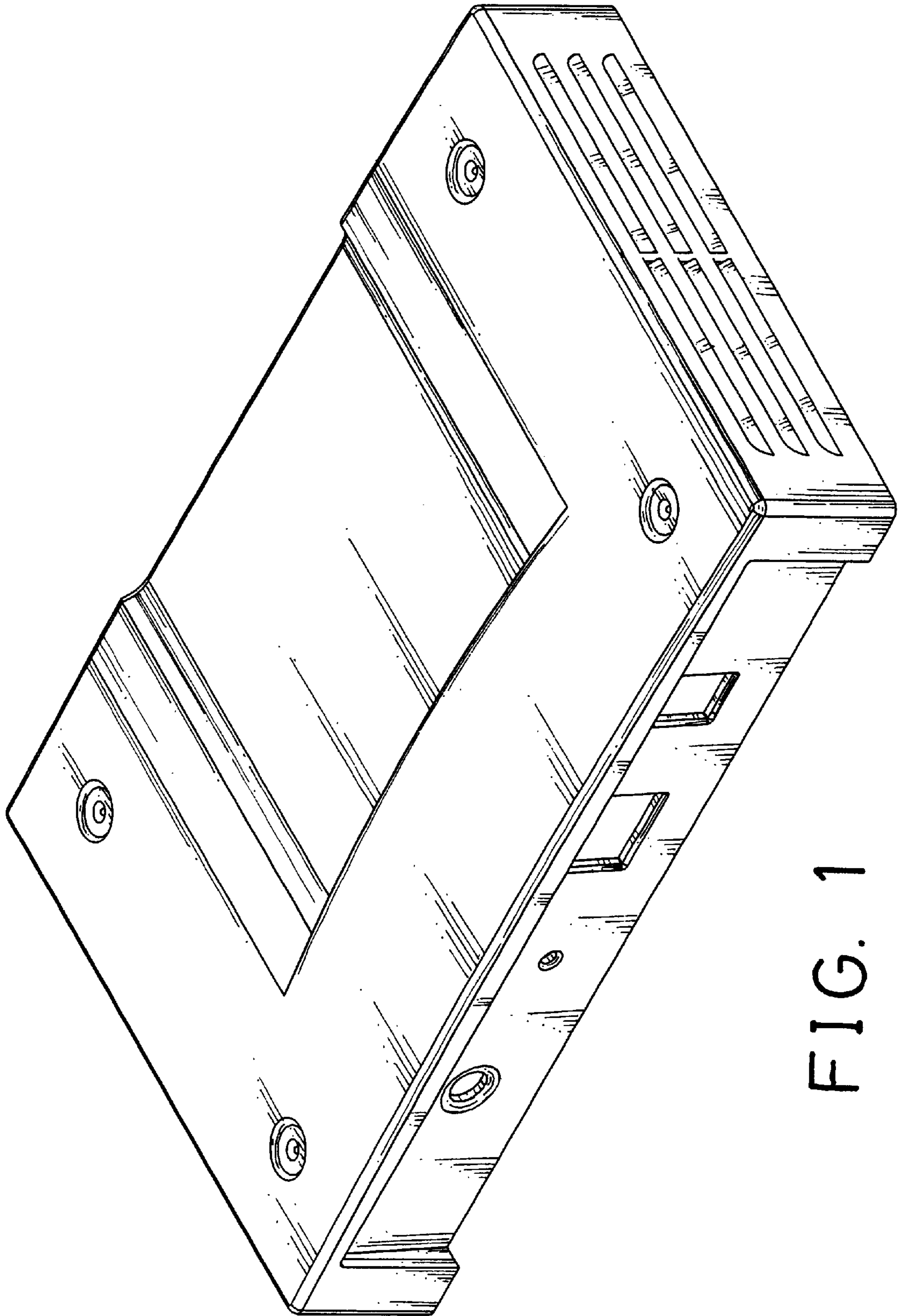


FIG. 1

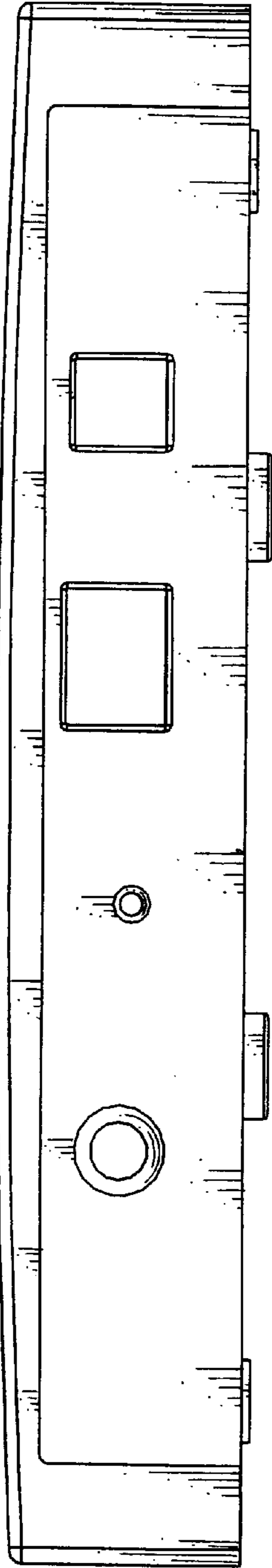


FIG. 2

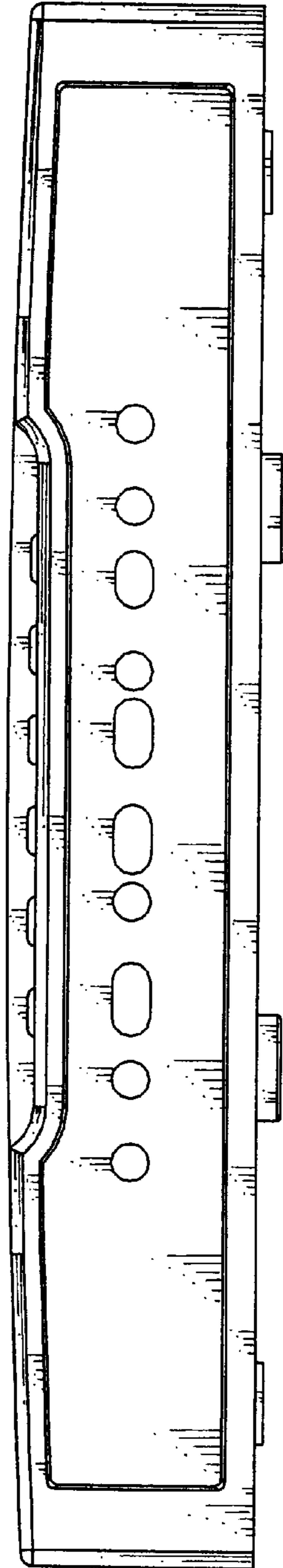


FIG. 3

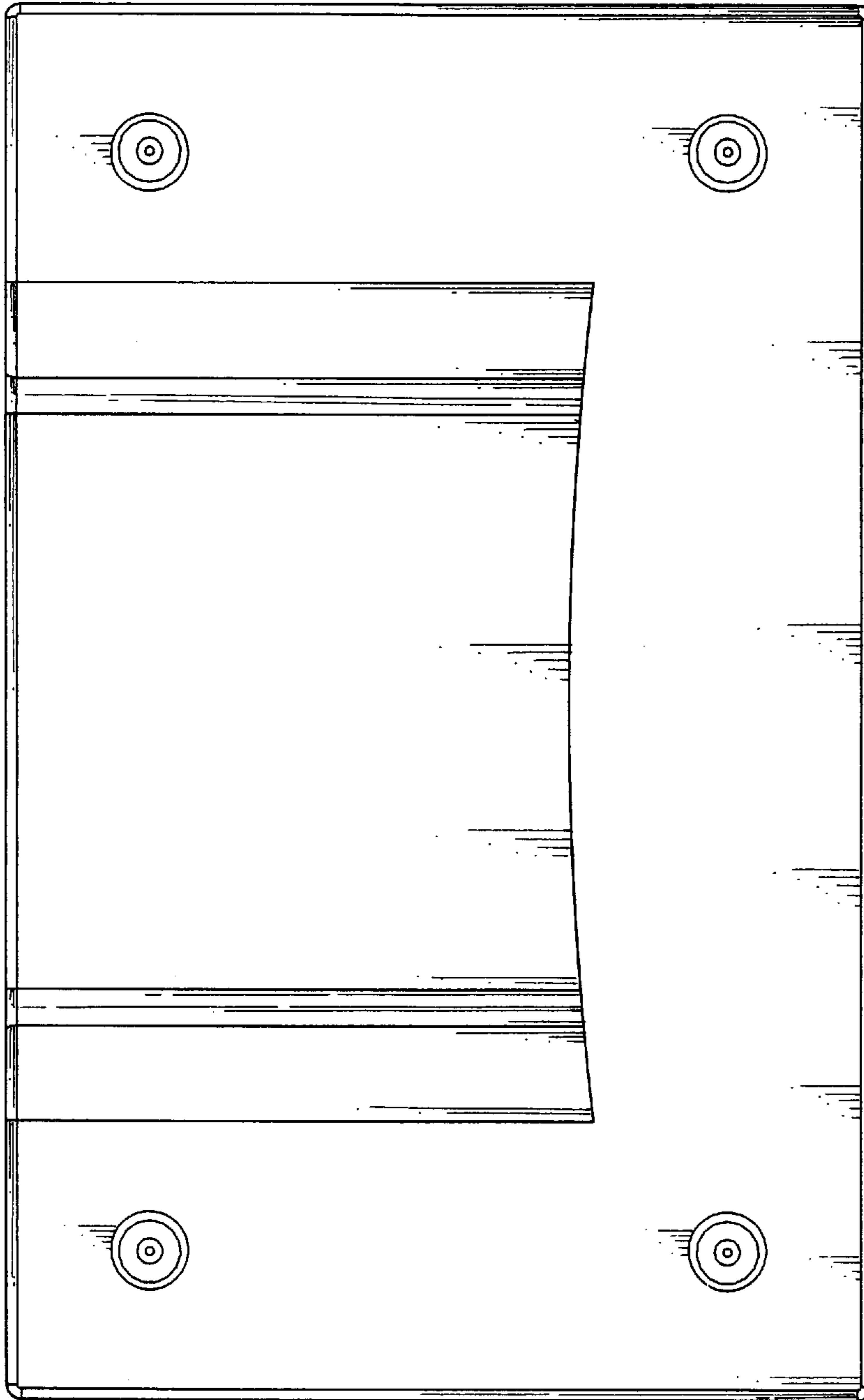


FIG. 4

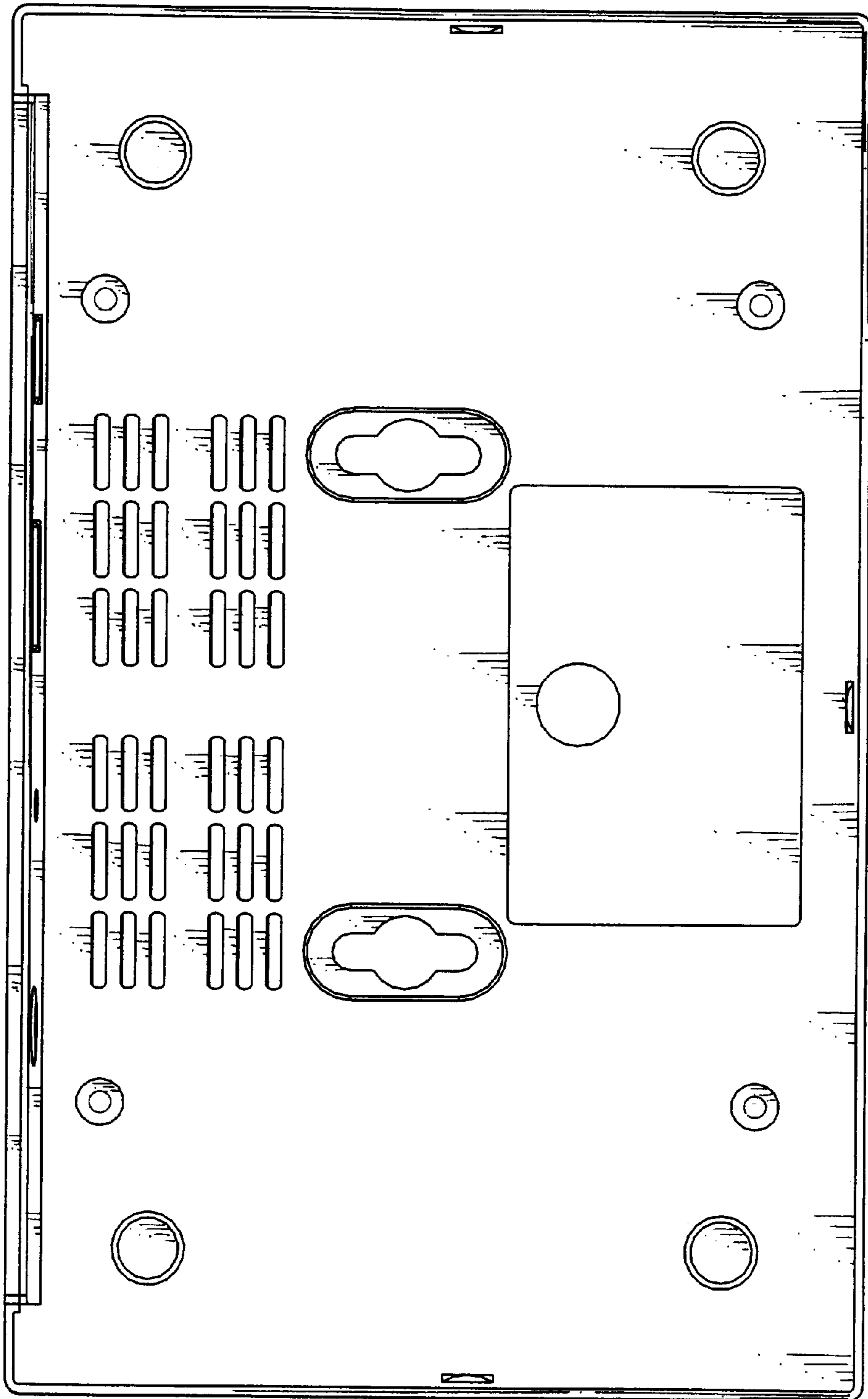


FIG. 5

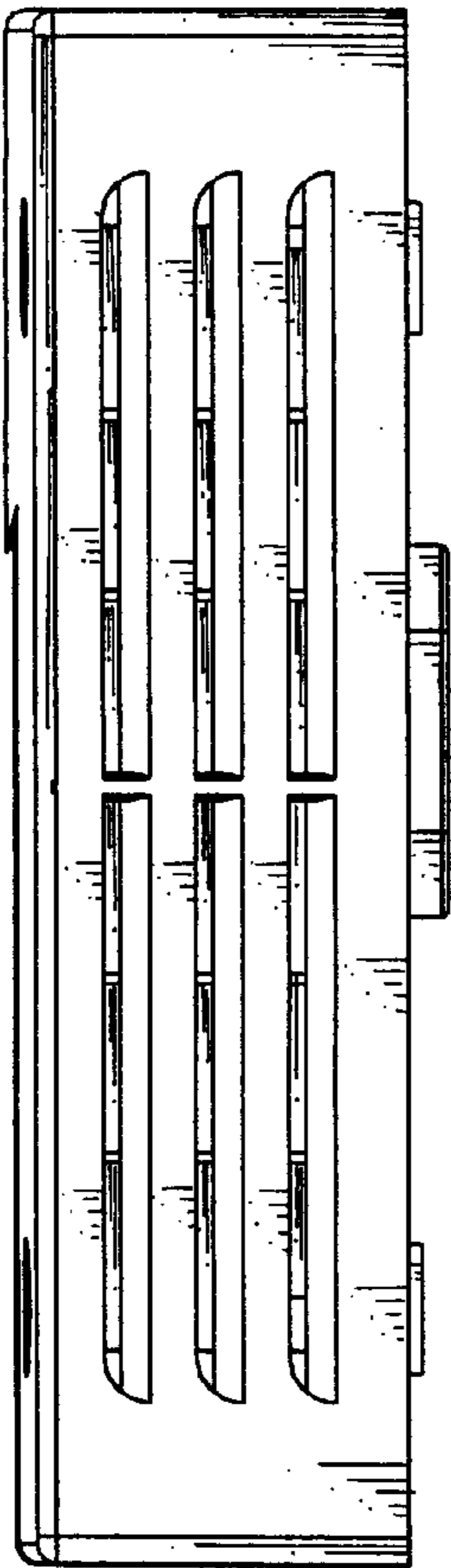


FIG. 6

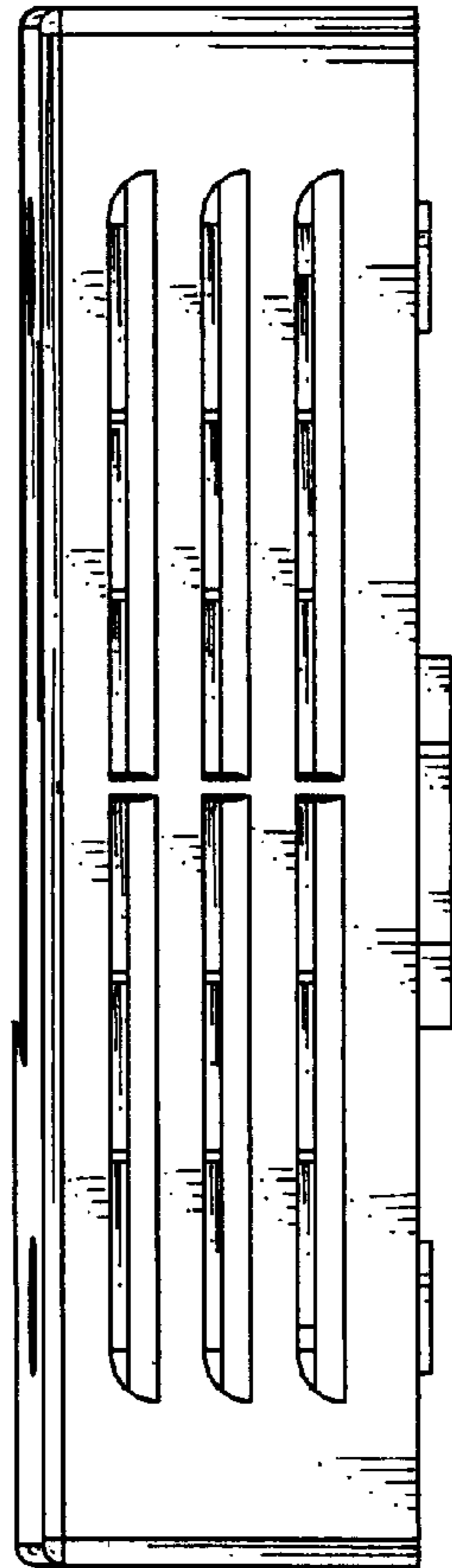


FIG. 7