



US00D485817S

(12) **United States Design Patent**  
**Liao et al.**

(10) **Patent No.:** **US D485,817 S**

(45) **Date of Patent:** **\*\* Jan. 27, 2004**

(54) **MOBILE PHONE**

(75) Inventors: **Yun-Hsian Liao, Tu-chen (TW);**  
**Hsuesh-Lung Liang, Tu-Chen (TW)**

(73) Assignee: **Hon Hai Precision Ind. Co., Ltd.,**  
**Taipei Hsien (TW)**

(\*\*) Term: **14 Years**

(21) Appl. No.: **29/172,874**

(22) Filed: **Dec. 17, 2002**

(51) **LOC (7) Cl.** ..... **14-03**

(52) **U.S. Cl.** ..... **D14/138**

(58) **Field of Search** ..... D14/137, 138,  
D14/218, 147-148, 247-248, 144, 341-347;  
379/433.01-433.13, 419, 434, 428.01-428.04,  
420.01-420.04, 440; 455/550.1-90.3; D21/517

(56) **References Cited**

**U.S. PATENT DOCUMENTS**

D419,991 S	*	2/2000	Park	.....	D14/138
D425,503 S	*	5/2000	Nagele et al.	.....	D14/138
D429,707 S	*	8/2000	Park	.....	D14/138
D440,955 S	*	4/2001	Tanaka et al.	.....	D14/138
D445,411 S	*	7/2001	Kim et al.	.....	D14/138
D445,771 S	*	7/2001	Kim	.....	D14/138
D451,485 S	*	12/2001	Moss	.....	D14/138
D455,414 S	*	4/2002	Lee et al.	.....	D14/138
D456,378 S	*	4/2002	Fujimoto	.....	D14/138
D456,792 S	*	5/2002	Lee et al.	.....	D14/138
D458,594 S	*	6/2002	Jang	.....	D14/138
D459,330 S	*	6/2002	Suzuki et al.	.....	D14/138

D465,466 S	*	11/2002	Hyun	.....	D14/138
D469,070 S	*	1/2003	Lee	.....	D14/138
D474,168 S	*	5/2003	Wang et al.	.....	D14/138
D475,358 S	*	6/2003	Wang et al.	.....	D14/138
D475,689 S	*	6/2003	Shimazu et al.	.....	D14/138
D475,986 S	*	6/2003	Ng et al.	.....	D14/138
2002/0197965 A1	*	12/2002	Peng	.....	455/575.1
2003/0124991 A1	*	7/2003	Kiuchi et al.	.....	455/90.1

**FOREIGN PATENT DOCUMENTS**

JP	848947	*	4/1992
JP	314654	*	10/2002

\* cited by examiner

*Primary Examiner*—Jeffrey Asch

(74) *Attorney, Agent, or Firm*—WeiTe Chung

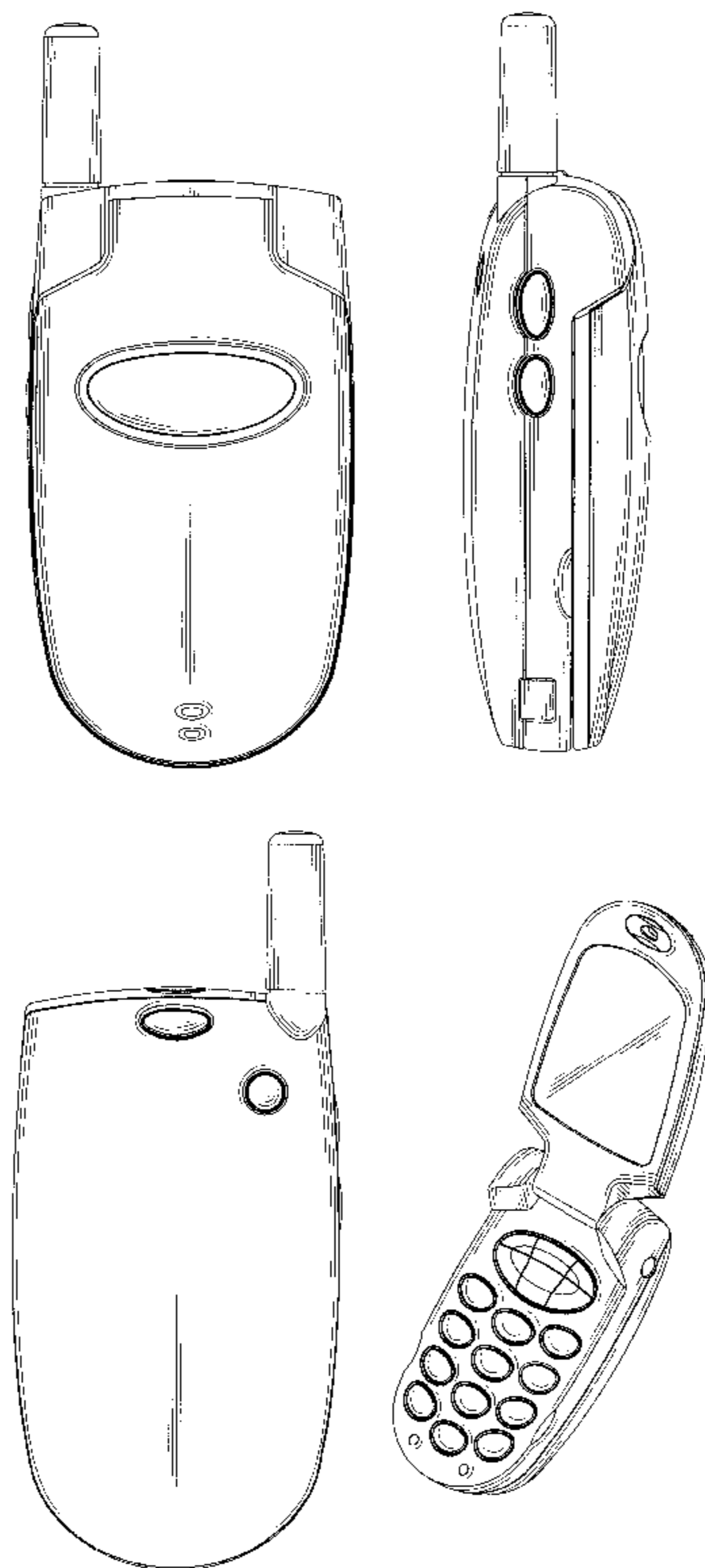
(57) **CLAIM**

The ornamental design for a mobile phone, as shown and described.

**DESCRIPTION**

FIG. 1 is a front, top and right side perspective view of a mobile phone showing our new design;  
FIG. 2 is a front elevational view thereof;  
FIG. 3 is a rear elevational view thereof;  
FIG. 4 is a left side elevational view thereof;  
FIG. 5 is a right side elevational view thereof;  
FIG. 6 is a top plan view thereof;  
FIG. 7 is a bottom plan view thereof; and,  
FIG. 8 is a perspective view of the mobile phone in an open position.

**1 Claim, 6 Drawing Sheets**



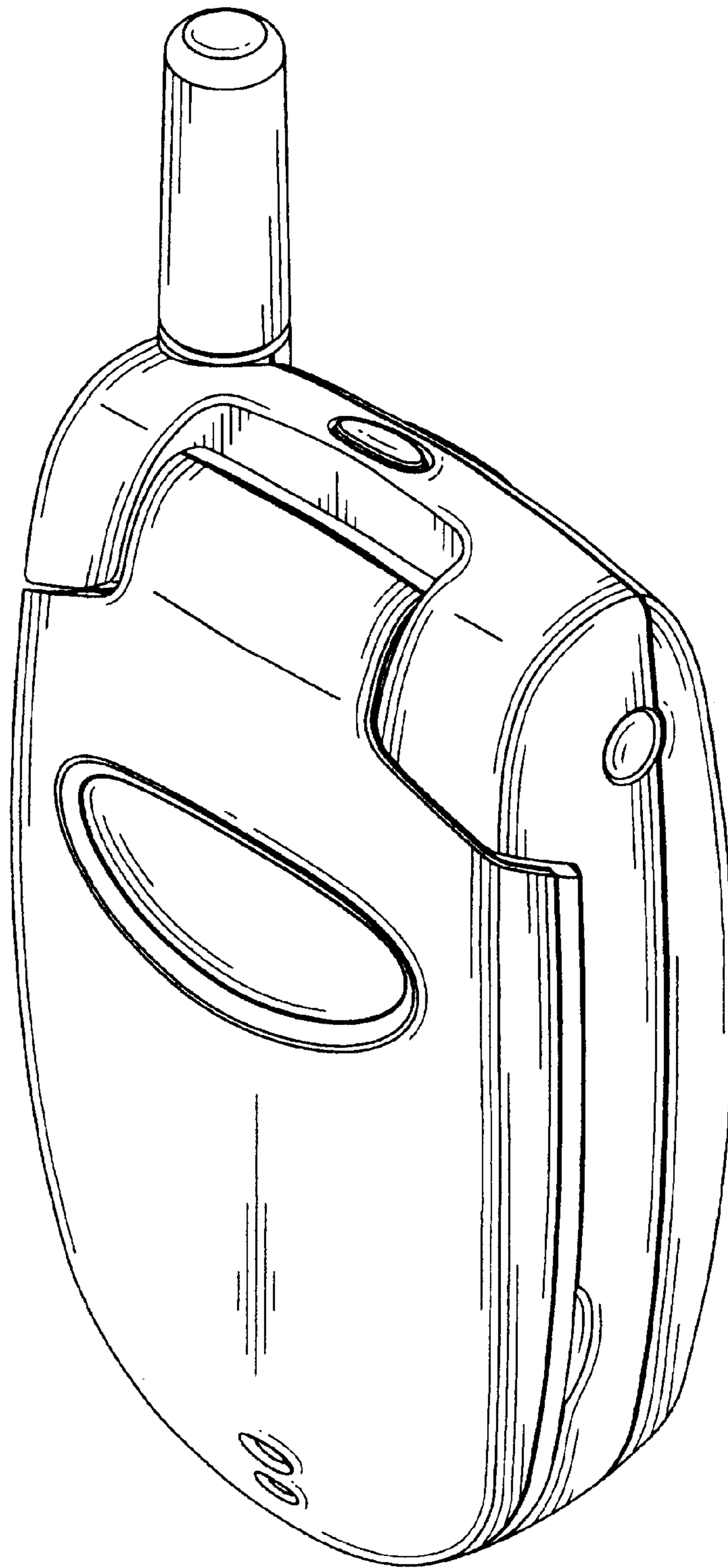


FIG. 1

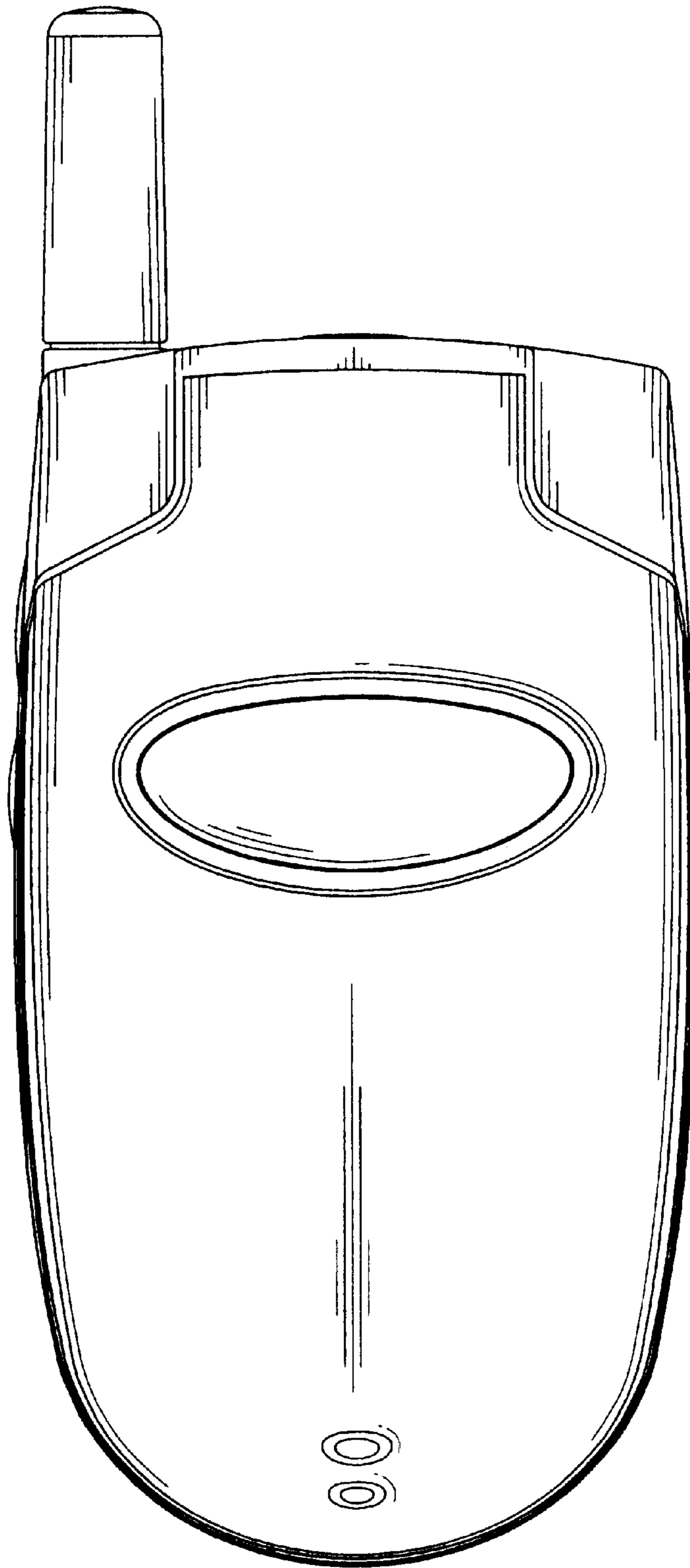


FIG. 2

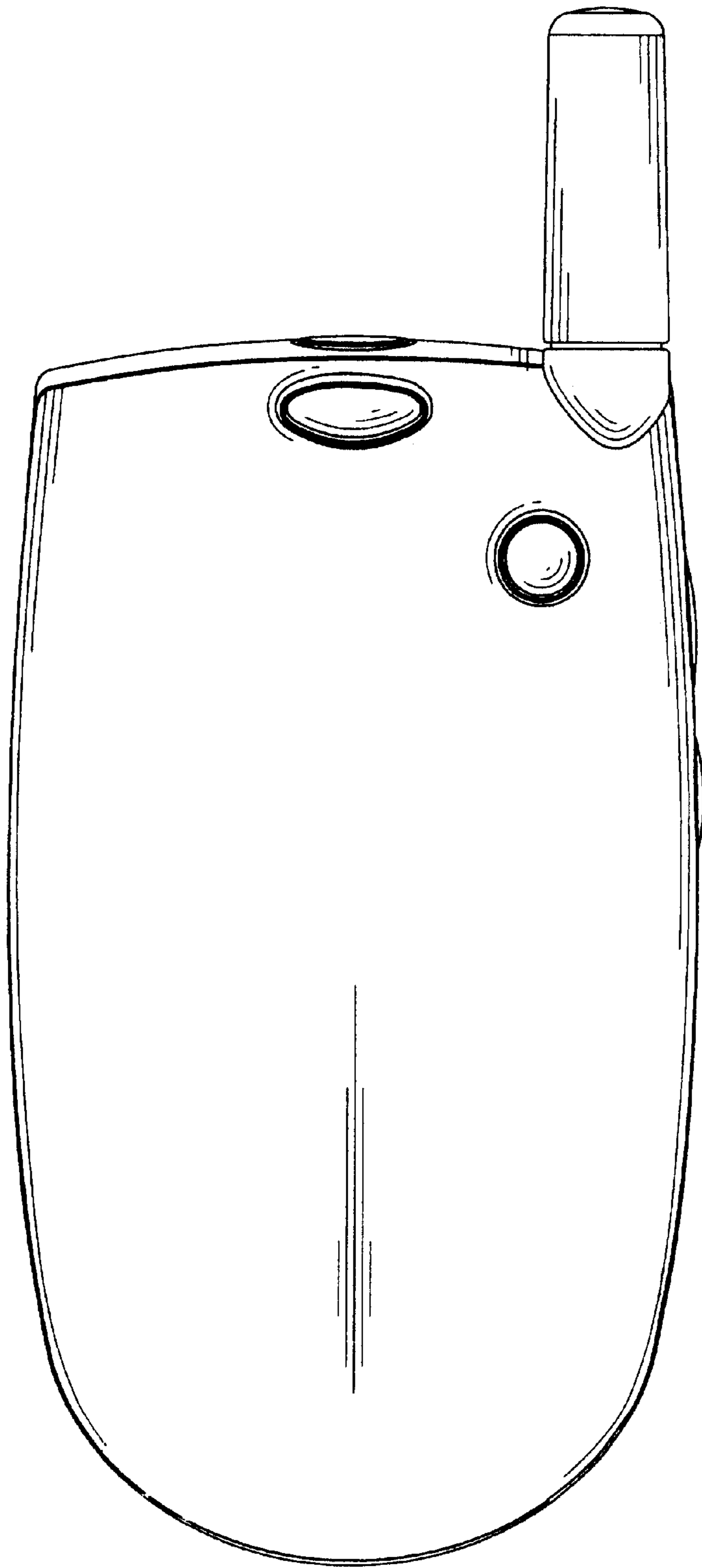


FIG. 3

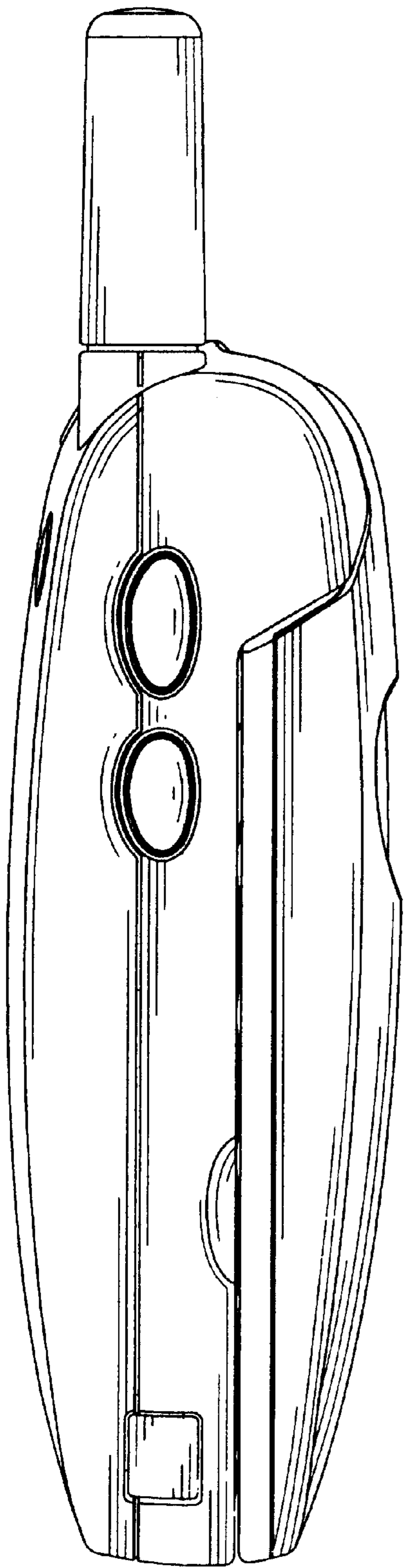


FIG. 4

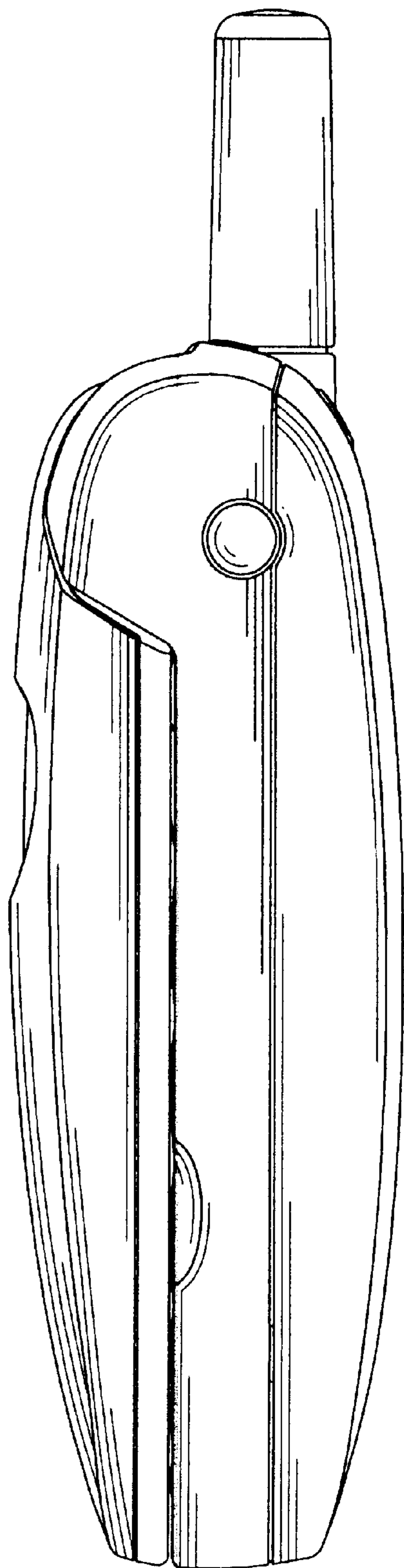


FIG. 5

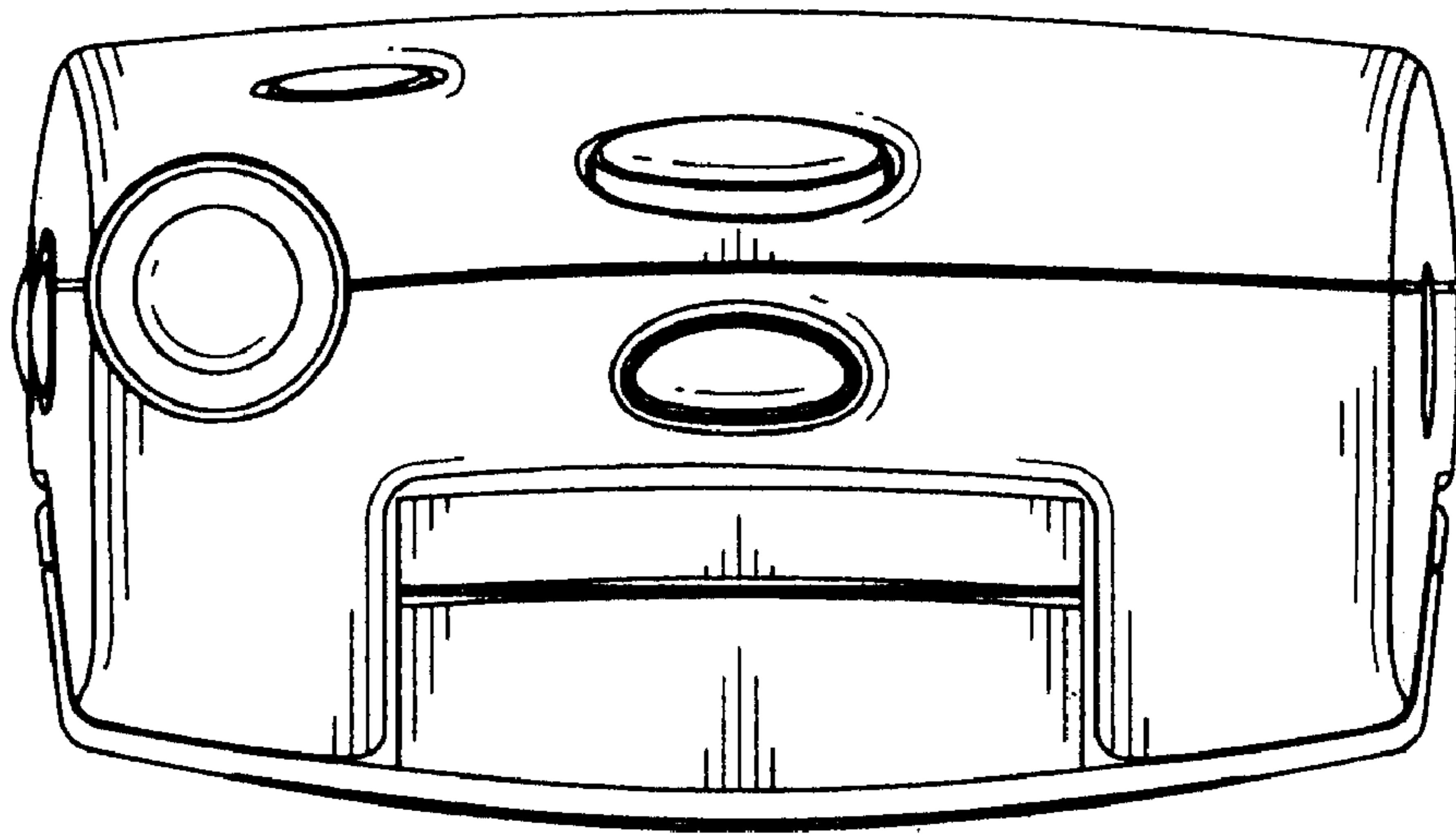


FIG. 6

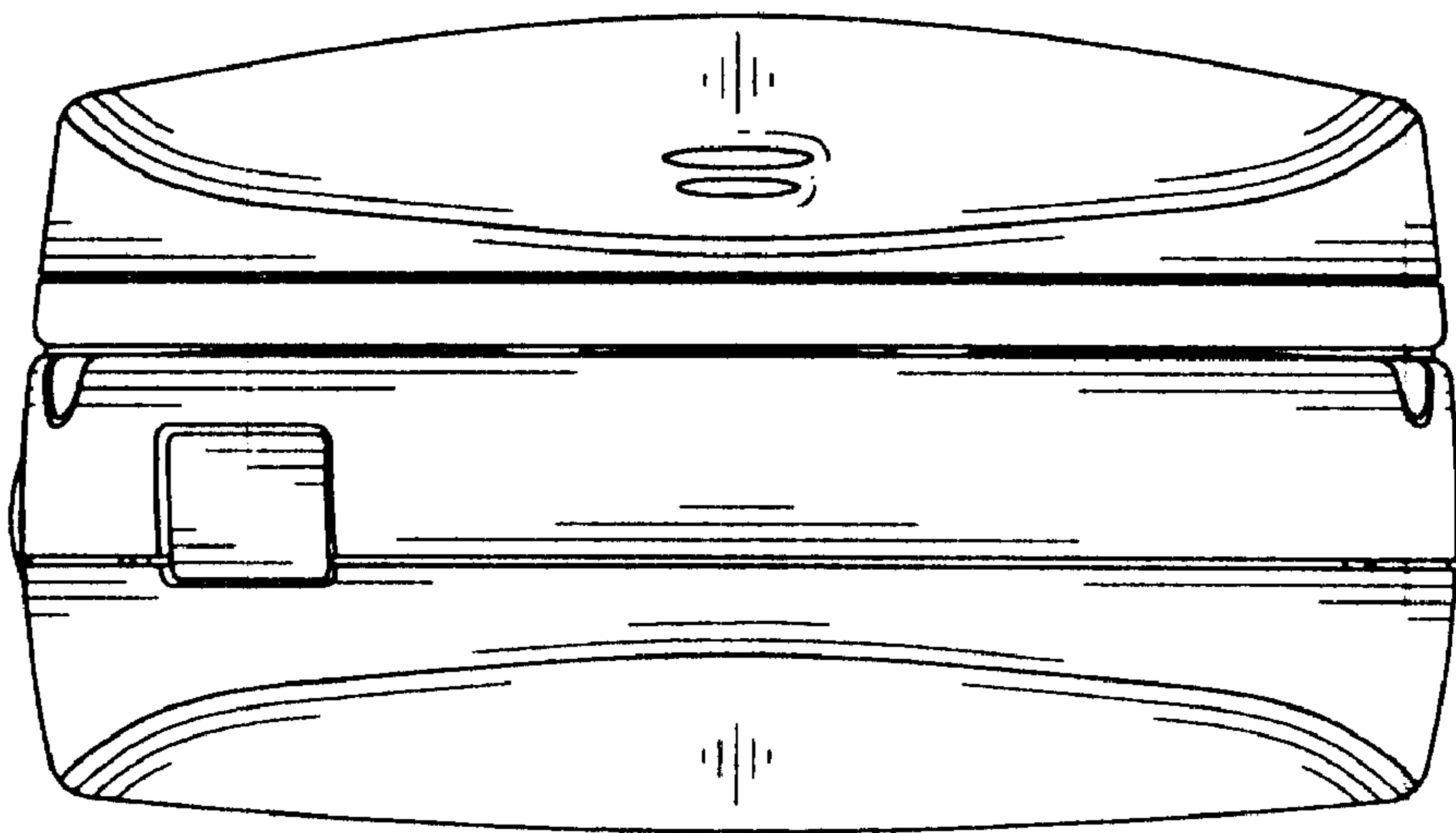


FIG. 7

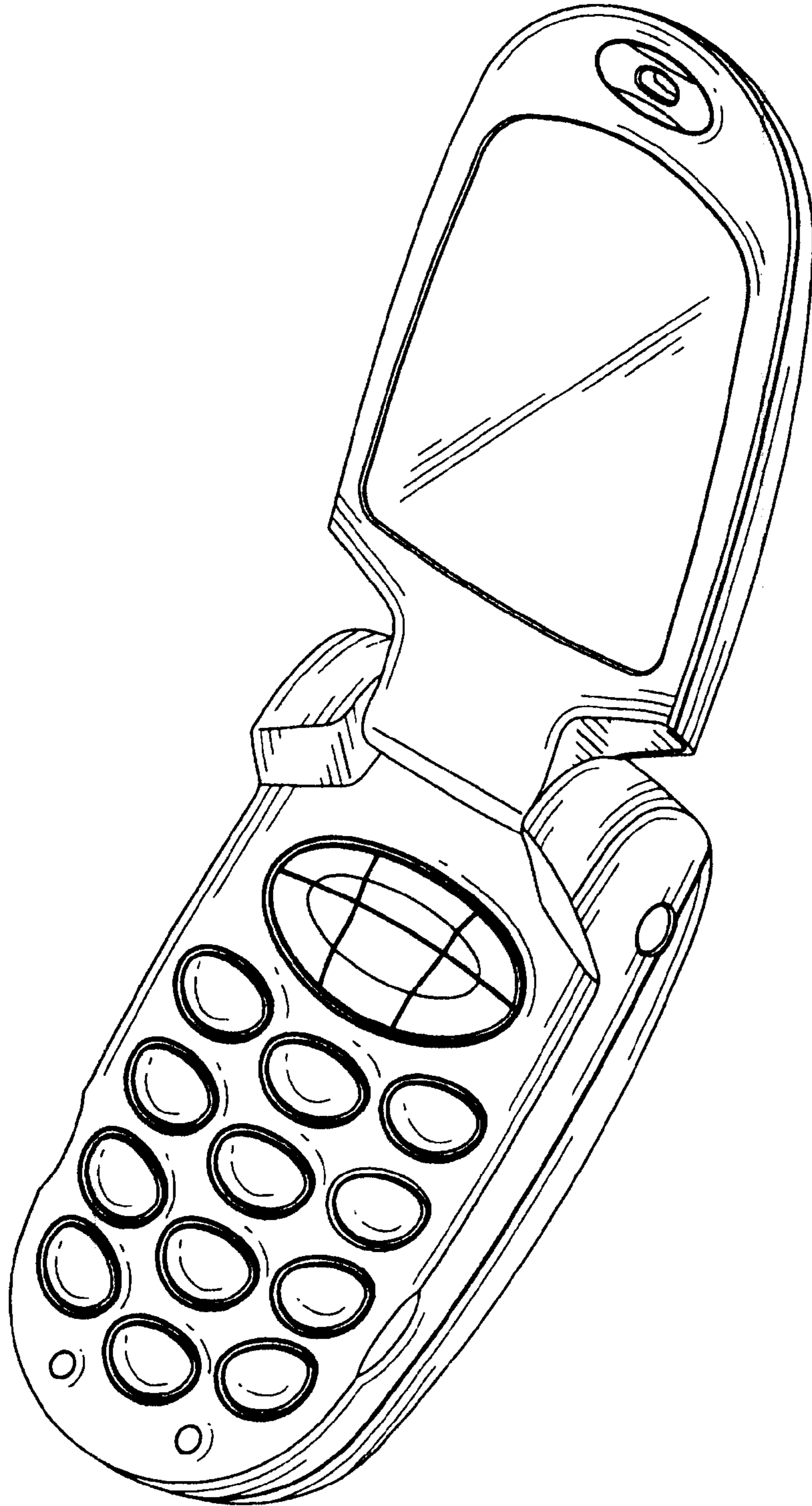


FIG. 8