



US00D485812S

(12) **United States Design Patent**
Park

(10) **Patent No.:** **US D485,812 S**

(45) **Date of Patent:** **** Jan. 27, 2004**

(54) **MONITOR DEVICE**

D469,068 S 1/2003 Furusawa D14/132

(75) **Inventor:** **Kyoung Soo Park**, Gwangmyeong-Si (KR)

* cited by examiner

Primary Examiner—Raphael Barkai

(73) **Assignee:** **Eiger Vision**, North Hollywood, CA (US)

(74) *Attorney, Agent, or Firm*—Park & Sutton LLP; John K. Park

(**) **Term:** **14 Years**

(57) **CLAIM**

The ornamental design for a monitor device, as shown and described.

(21) **Appl. No.:** **29/184,034**

(22) **Filed:** **Sep. 23, 2003**

DESCRIPTION

(51) **LOC (7) Cl.** **14-03**

(52) **U.S. Cl.** **D14/132**

(58) **Field of Search** D14/125–136,
D14/239, 371, 374, 315, 327, 375, 451;
D12/415–418, 345; D6/513; 296/37.1, 37.8,
37.7, 70; 224/311, 539; 180/90; 248/917–924;
312/7.2; 340/995; 345/905; 348/148, 825,
827, 836–838, 840

FIG. 1 is a front first perspective view of a monitor device showing my new design;

FIG. 2 is a front second perspective view of the monitor device showing my new design;

FIG. 3 is a front third perspective view of the monitor device showing my new design;

FIG. 4 is a front fourth perspective view of the monitor device showing my new design;

FIG. 5 is a front fifth perspective view of the monitor device showing my new design;

FIG. 6 is a front elevational view of FIG. 1;

FIG. 7 is a left side elevational view of FIG. 1, a right side view being a mirror image;

FIG. 8 is a bottom plan view of FIG. 1; and,

FIG. 9 is a rear perspective view of the monitor device.

The broken lines showing of environment in FIGS. 7, 8 and 9 are for illustrative purposes only and forms no part of the claimed design.

(56) **References Cited**

U.S. PATENT DOCUMENTS

| | | | | | |
|-------------|---|---------|----------------|-------|---------|
| D394,432 S | * | 5/1998 | Rosen | | D14/375 |
| 5,946,055 A | * | 8/1999 | Rosen | | 348/837 |
| 6,059,255 A | * | 5/2000 | Rosen et al. | | D14/132 |
| D446,507 S | | 8/2001 | Rosen et al. | | D14/132 |
| D451,895 S | | 12/2001 | Lavelle et al. | | D14/126 |
| D453,325 S | | 2/2002 | Okada et al. | | D14/132 |
| D457,506 S | | 5/2002 | Scribner | | D14/239 |
| D467,234 S | * | 12/2002 | Scribner | | D14/132 |
| D467,562 S | * | 12/2002 | Chang | | D14/132 |

1 Claim, 9 Drawing Sheets

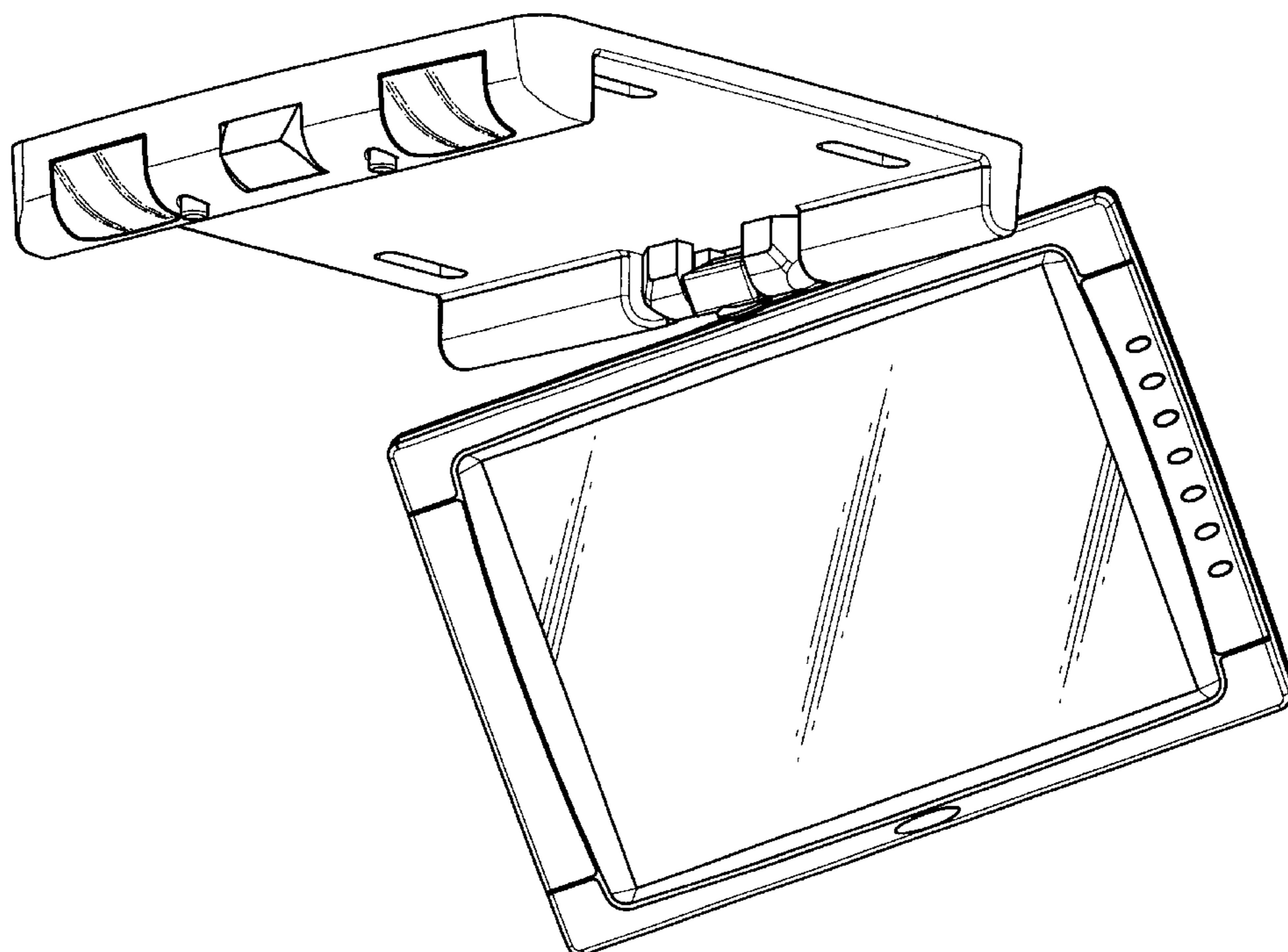


Fig. 1

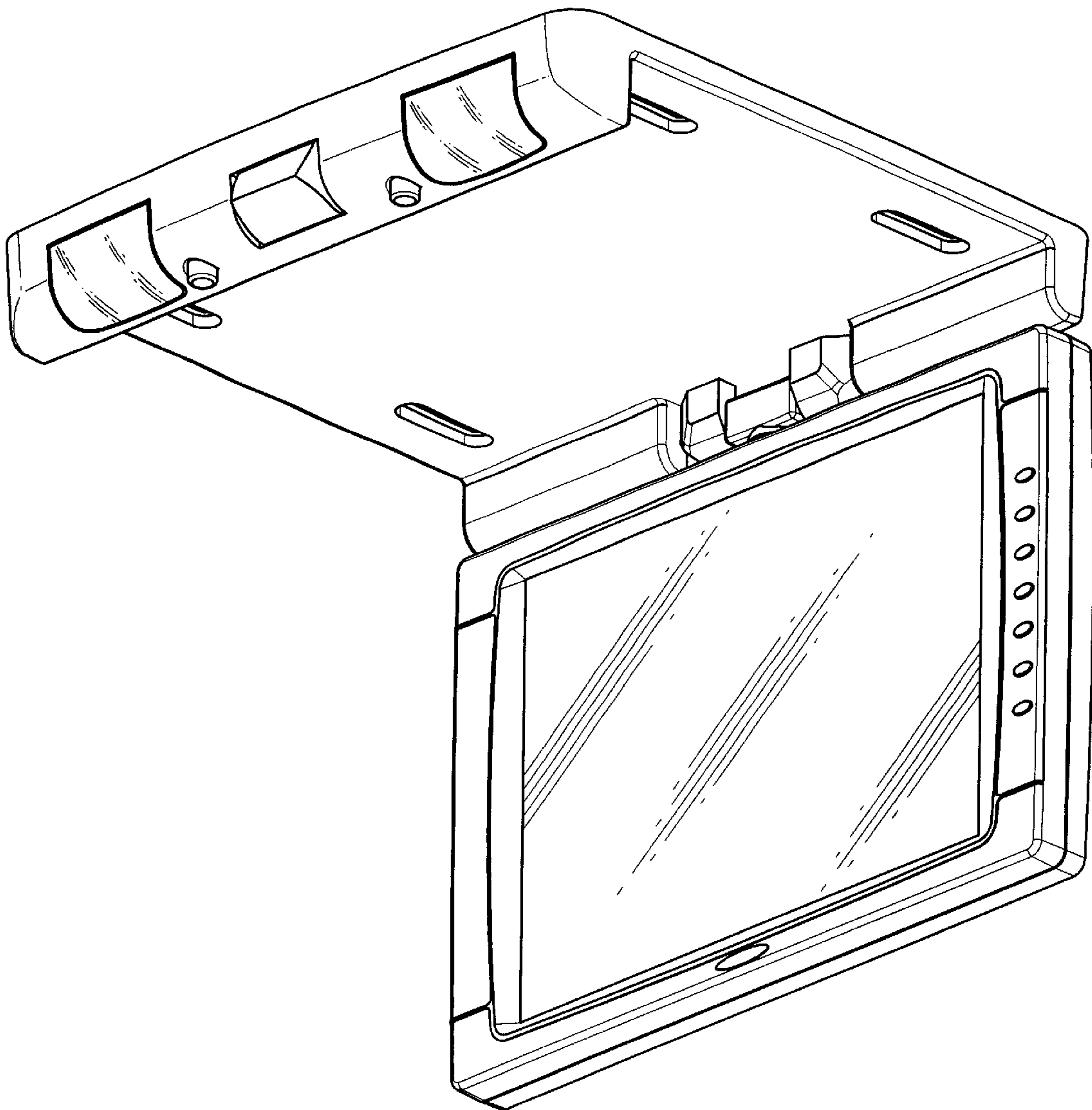


Fig. 2

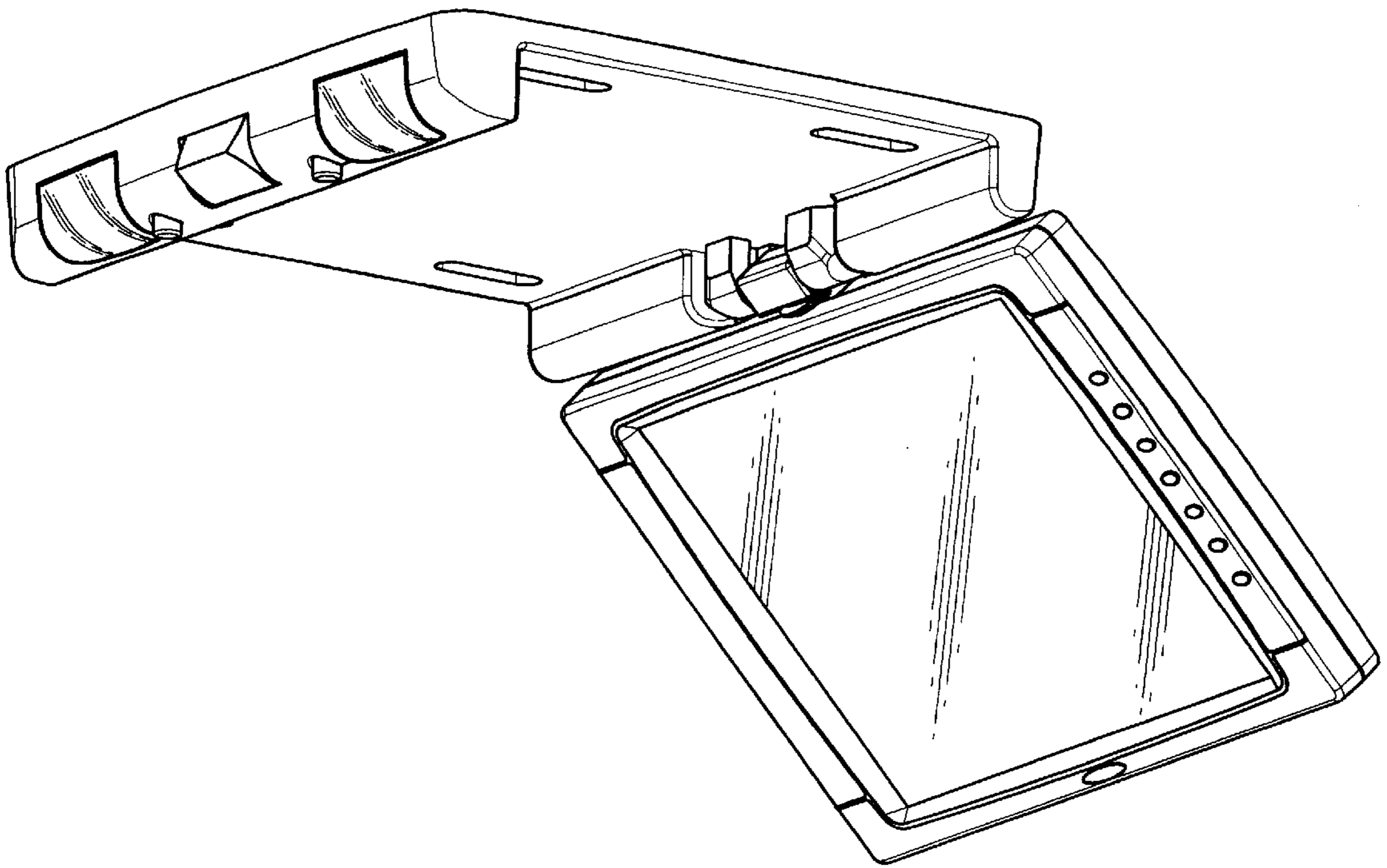


Fig. 3

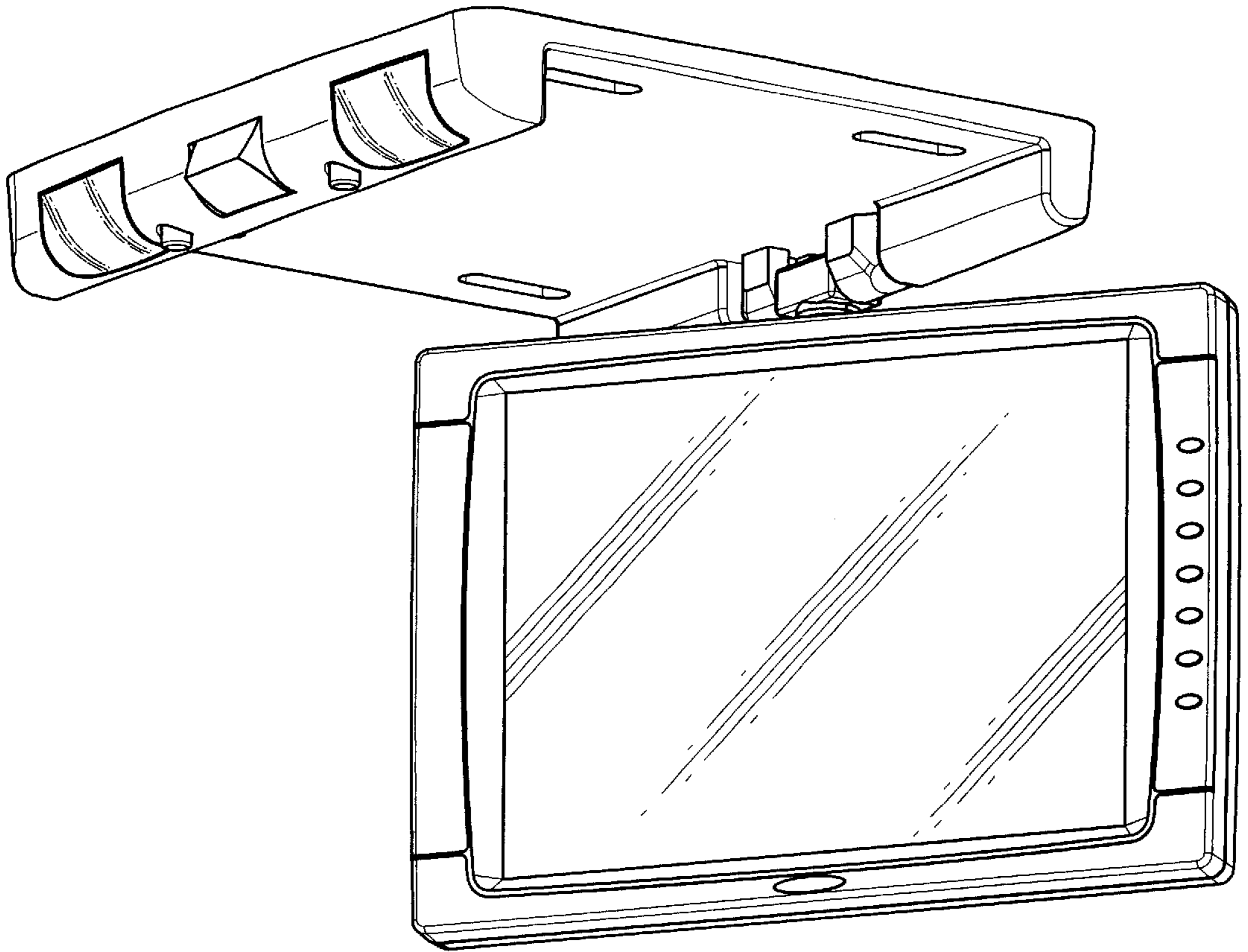


Fig. 4

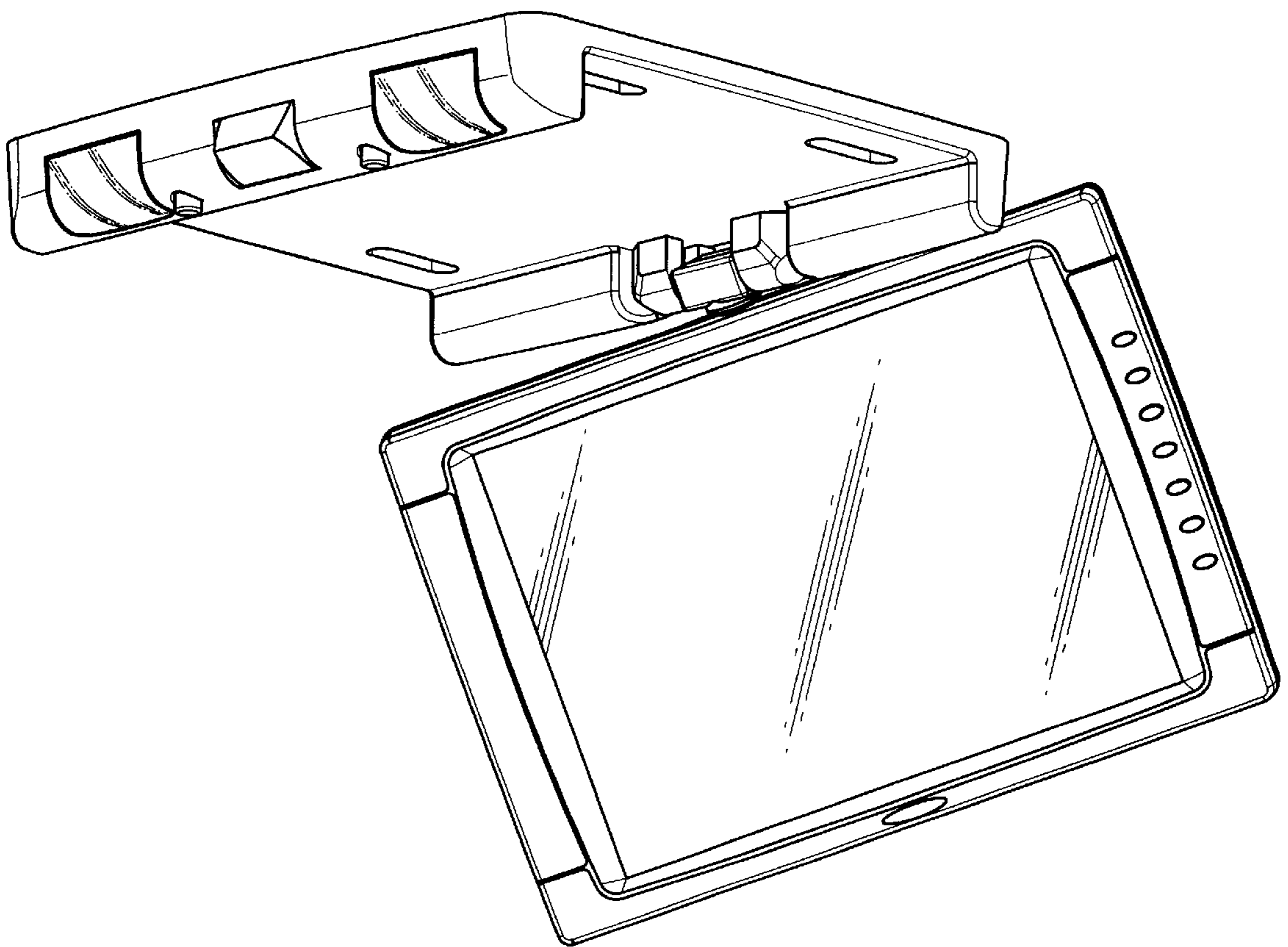


Fig. 5

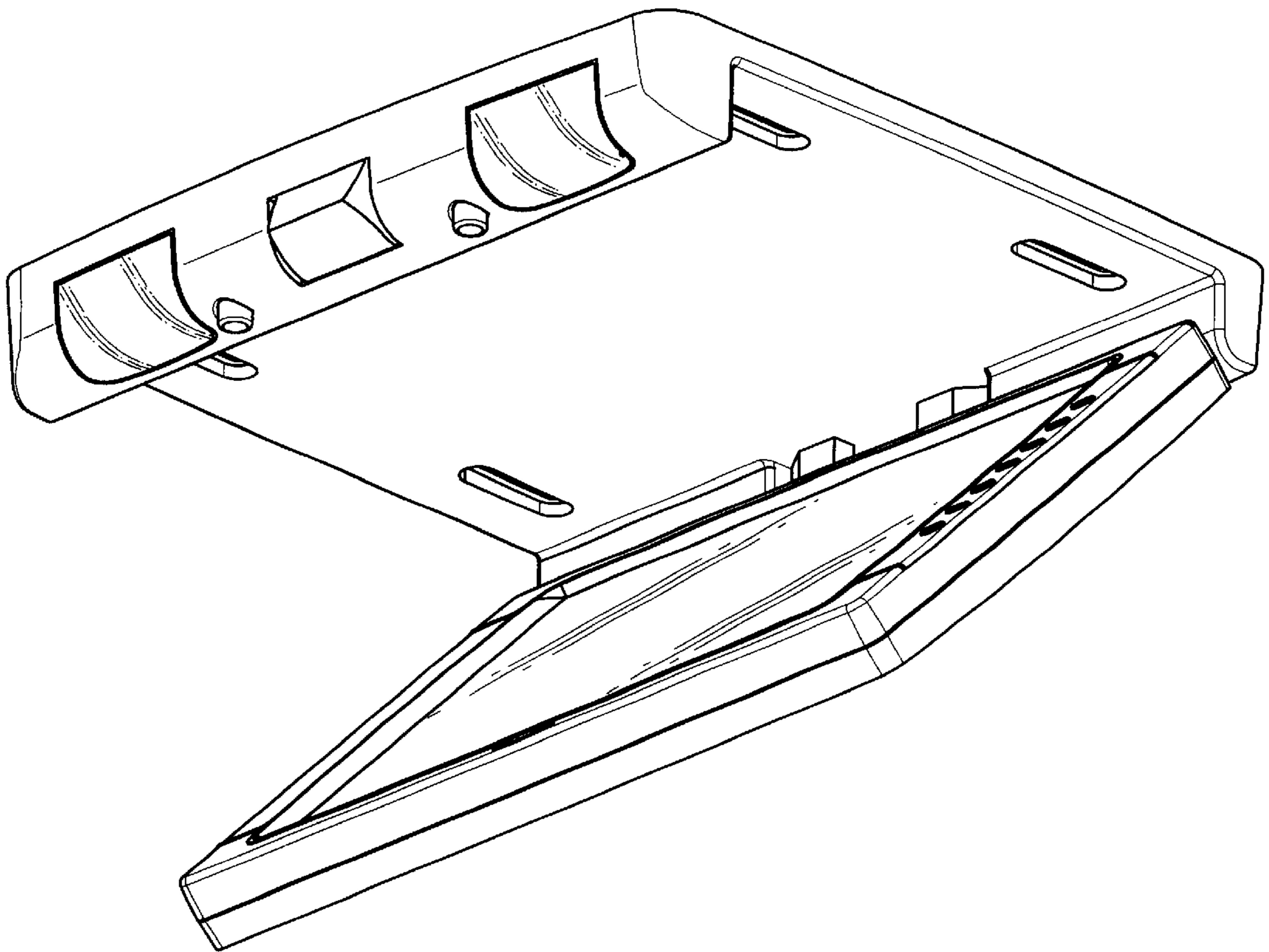


Fig. 6

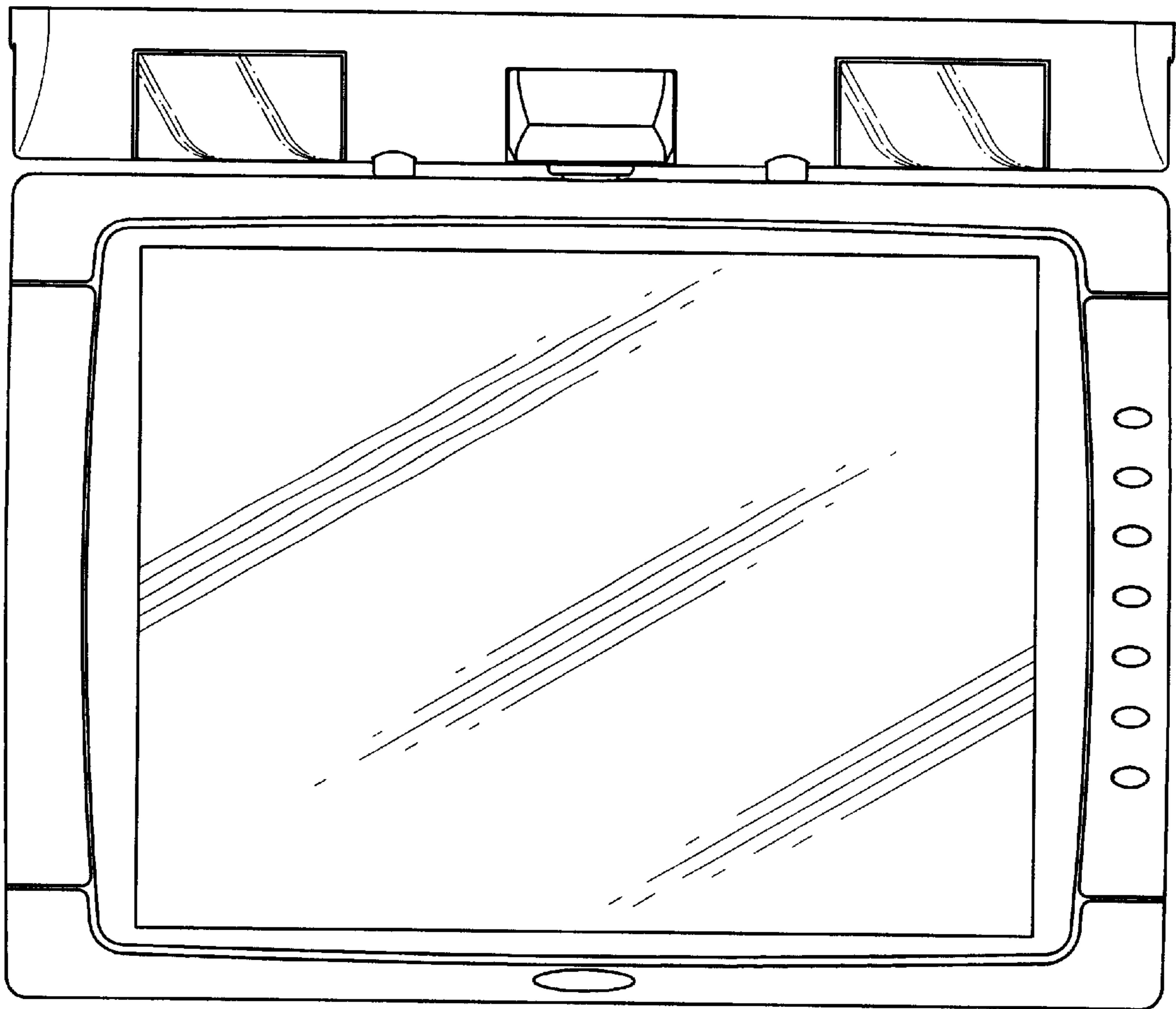


Fig. 7

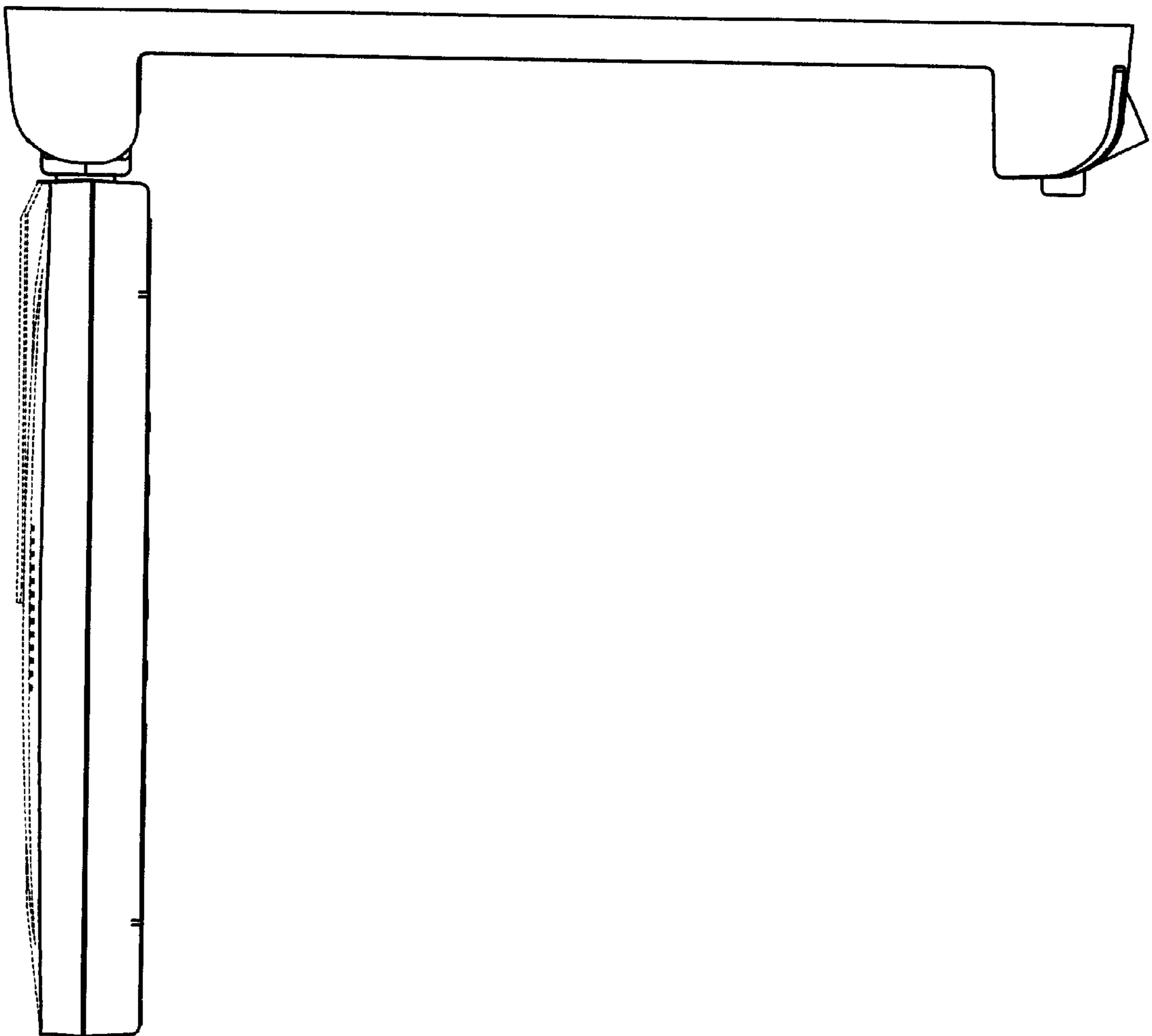


Fig. 8

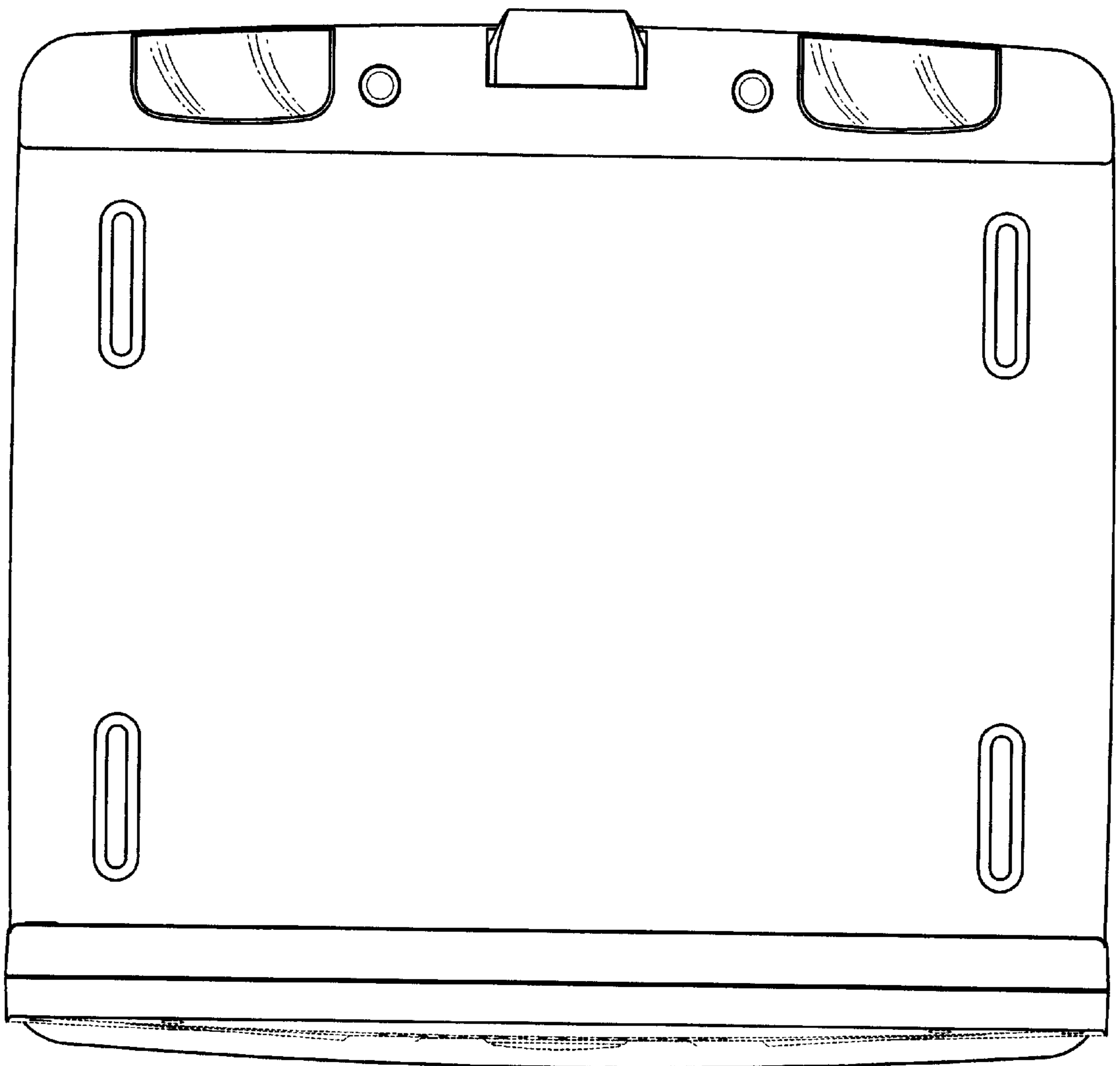


Fig. 9

