



US00D485810S

(12) **United States Design Patent**
Fiocchi

(10) **Patent No.:** **US D485,810 S**

(45) **Date of Patent:** **** Jan. 27, 2004**

(54) **ENCLOSURE**

(75) **Inventor:** **James Anthony Fiocchi**, Highland Park, IL (US)

(73) **Assignee:** **European American Industries, Inc.**, Libertyville, IL (US)

(**) **Term:** **14 Years**

(21) **Appl. No.:** **29/153,730**

(22) **Filed:** **Jan. 14, 2002**

(51) **LOC (7) Cl.** **13-03**

(52) **U.S. Cl.** **D13/184**

(58) **Field of Search** D10/103; D13/152, D13/154, 184; D14/240; 174/48, 50, 51, 52.1, 17 R; 220/4.01, 4.02; 361/605, 679, 681, 694, 724, 730

(56) **References Cited**

U.S. PATENT DOCUMENTS

- 4,652,969 A * 3/1987 Stegenga 361/694
- 4,901,205 A * 2/1990 Landis et al. 361/818
- D314,185 S * 1/1991 Mazura et al. D13/184

- 4,991,056 A * 2/1991 Shimizu et al. 361/681
- D398,582 S * 9/1998 Fryers D13/147
- 5,864,467 A * 1/1999 Recchia et al. 361/732
- 6,369,320 B1 * 4/2002 Okamoto 174/50

* cited by examiner

Primary Examiner—Philip S. Hyder

Assistant Examiner—Selina Sikder

(74) *Attorney, Agent, or Firm*—Steven M. Shape

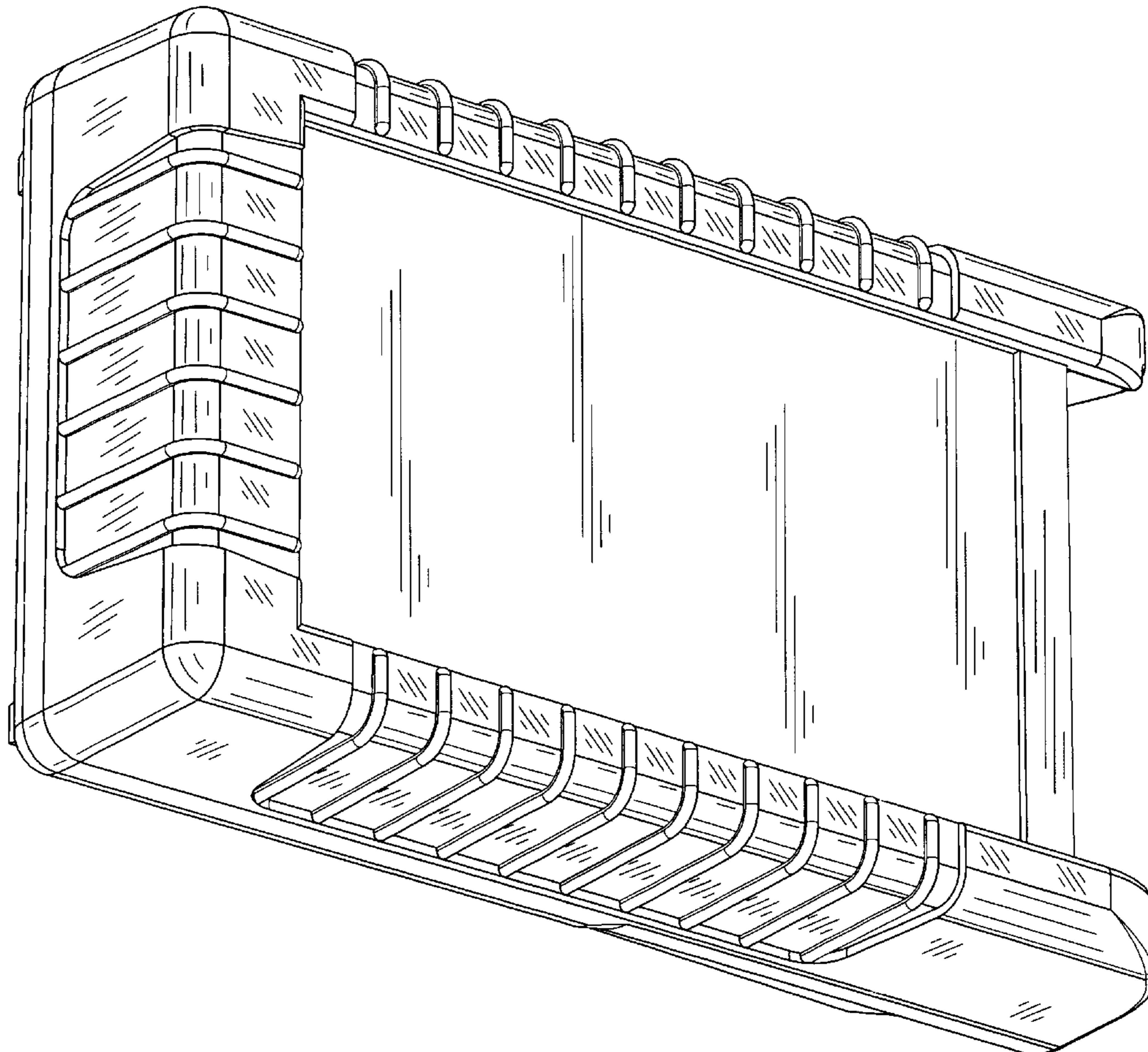
(57) **CLAIM**

The ornamental design for an enclosure, as shown.

DESCRIPTION

FIG. 1 is a top perspective view of an enclosure illustrating my new design;
 FIG. 2 is a bottom perspective view thereof;
 FIG. 3 is a top plan view thereof;
 FIG. 4 is a bottom plan view thereof;
 FIG. 5 is a left side elevational view thereof;
 FIG. 6 is a right side elevational view thereof;
 FIG. 7 is a front elevational view thereof; and,
 FIG. 8 is a rear elevational view thereof.

1 Claim, 8 Drawing Sheets



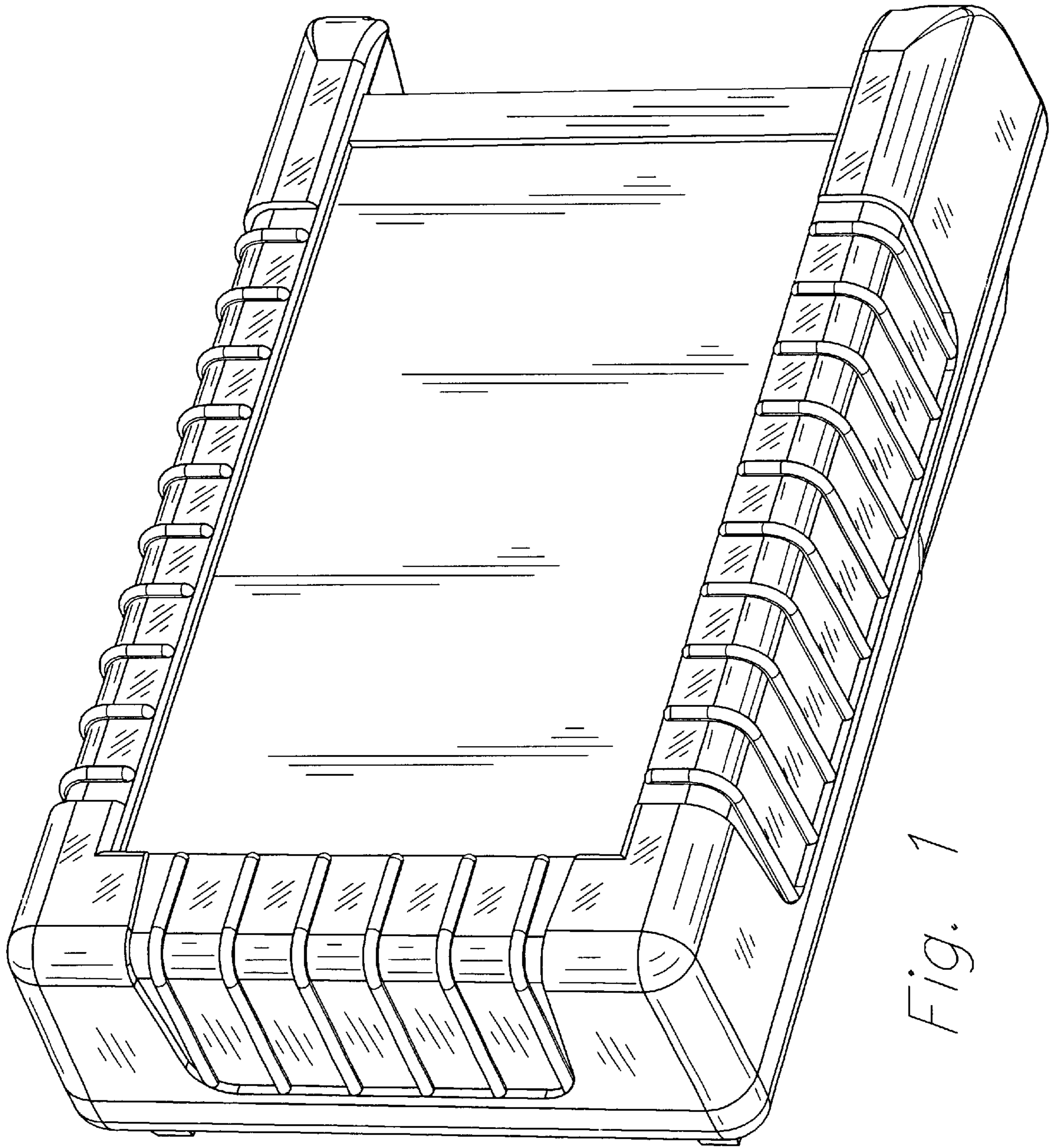


Fig. 1

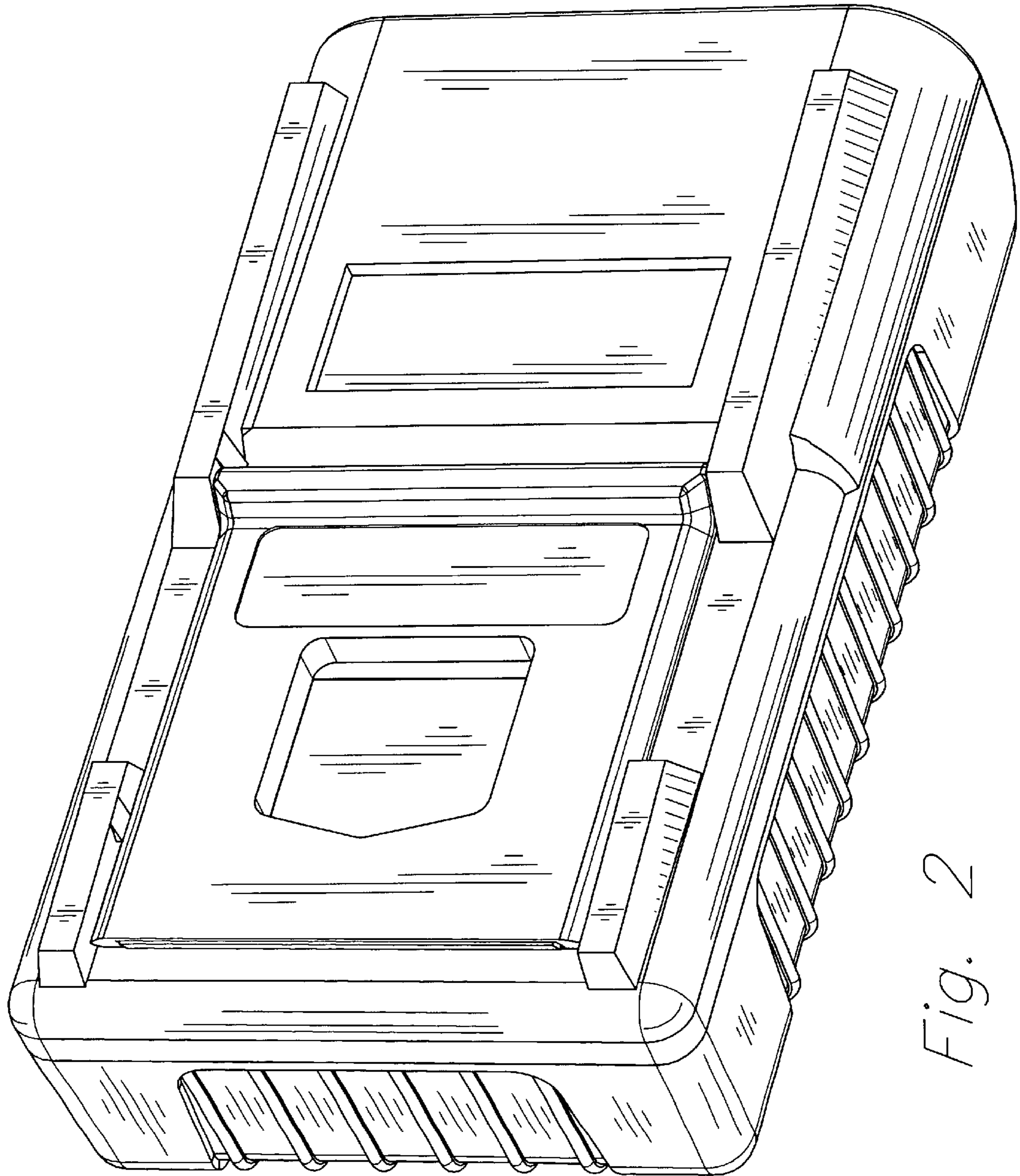


Fig. 2

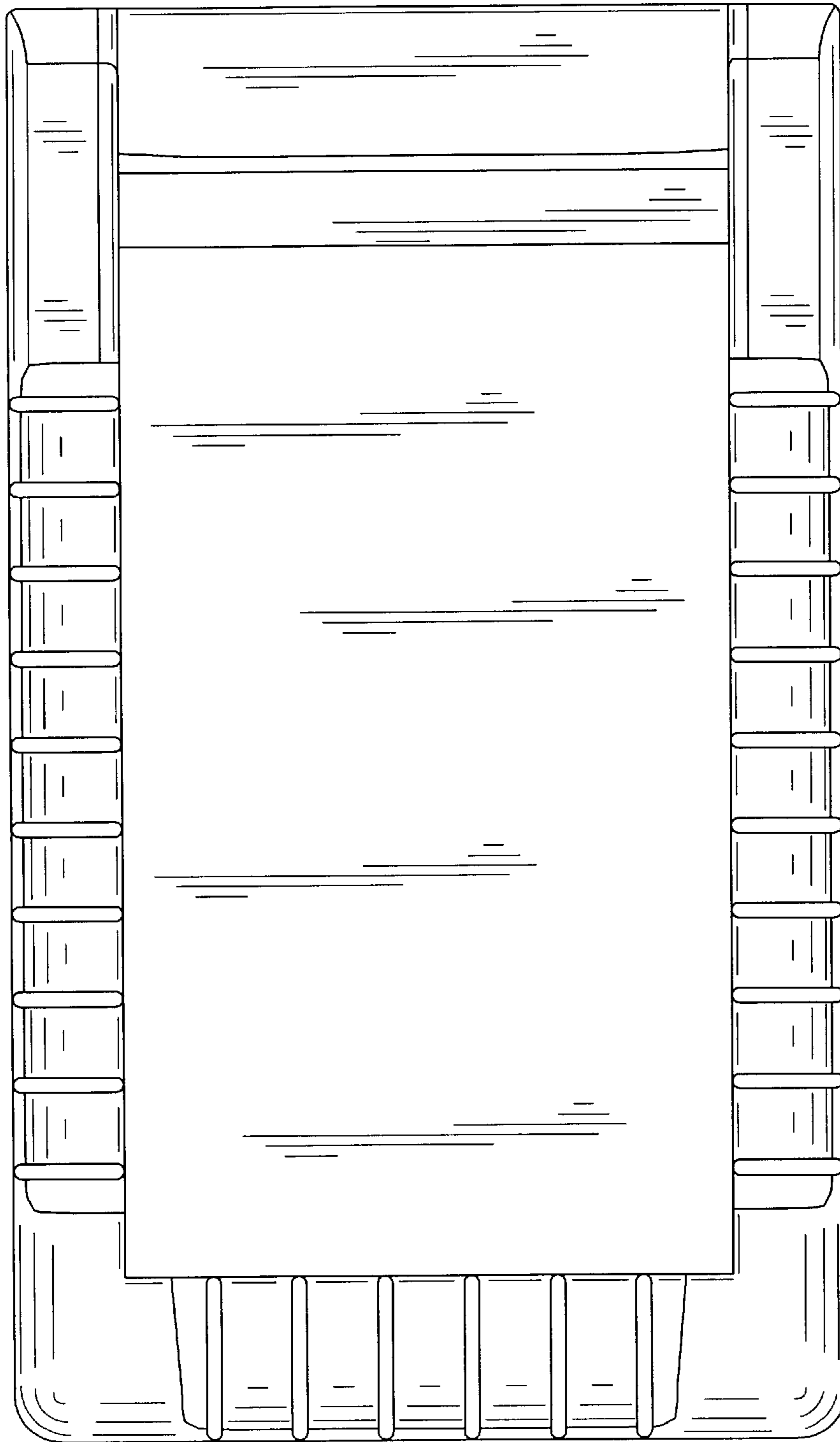


Fig. 3



Fig. 4

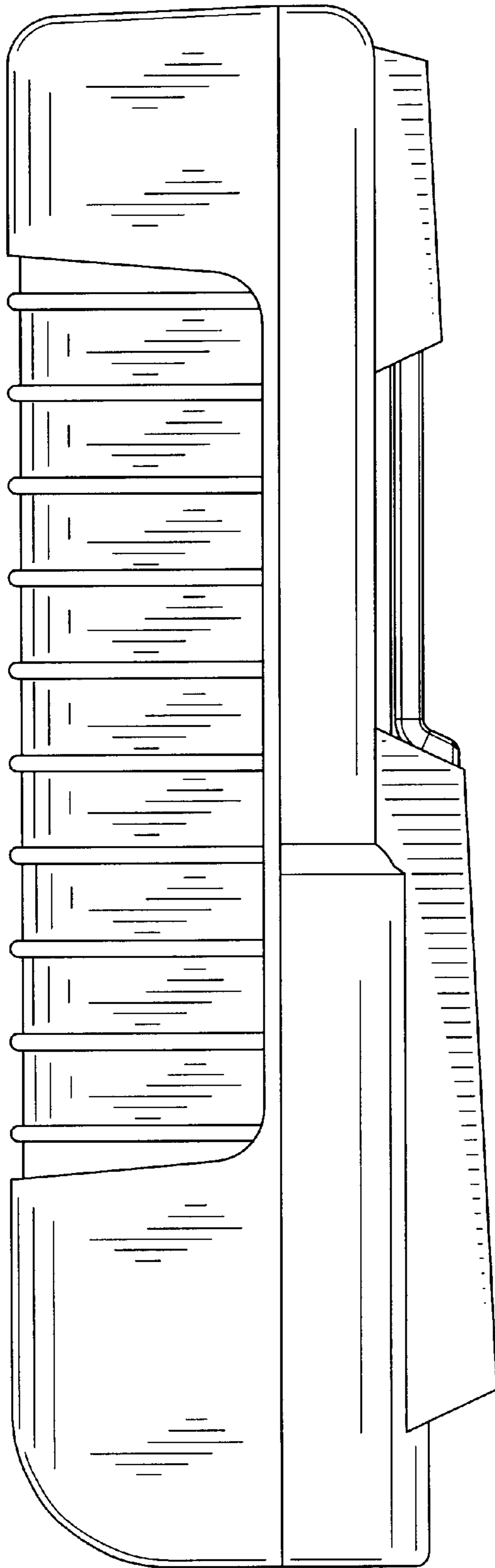


Fig. 5

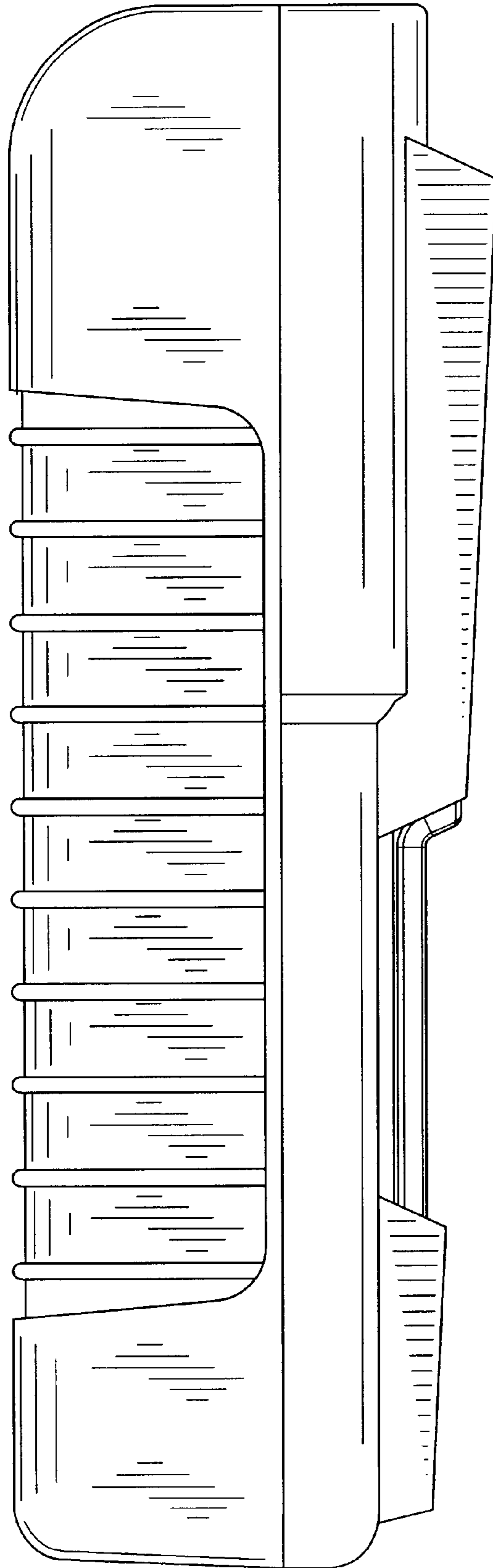


Fig. 6

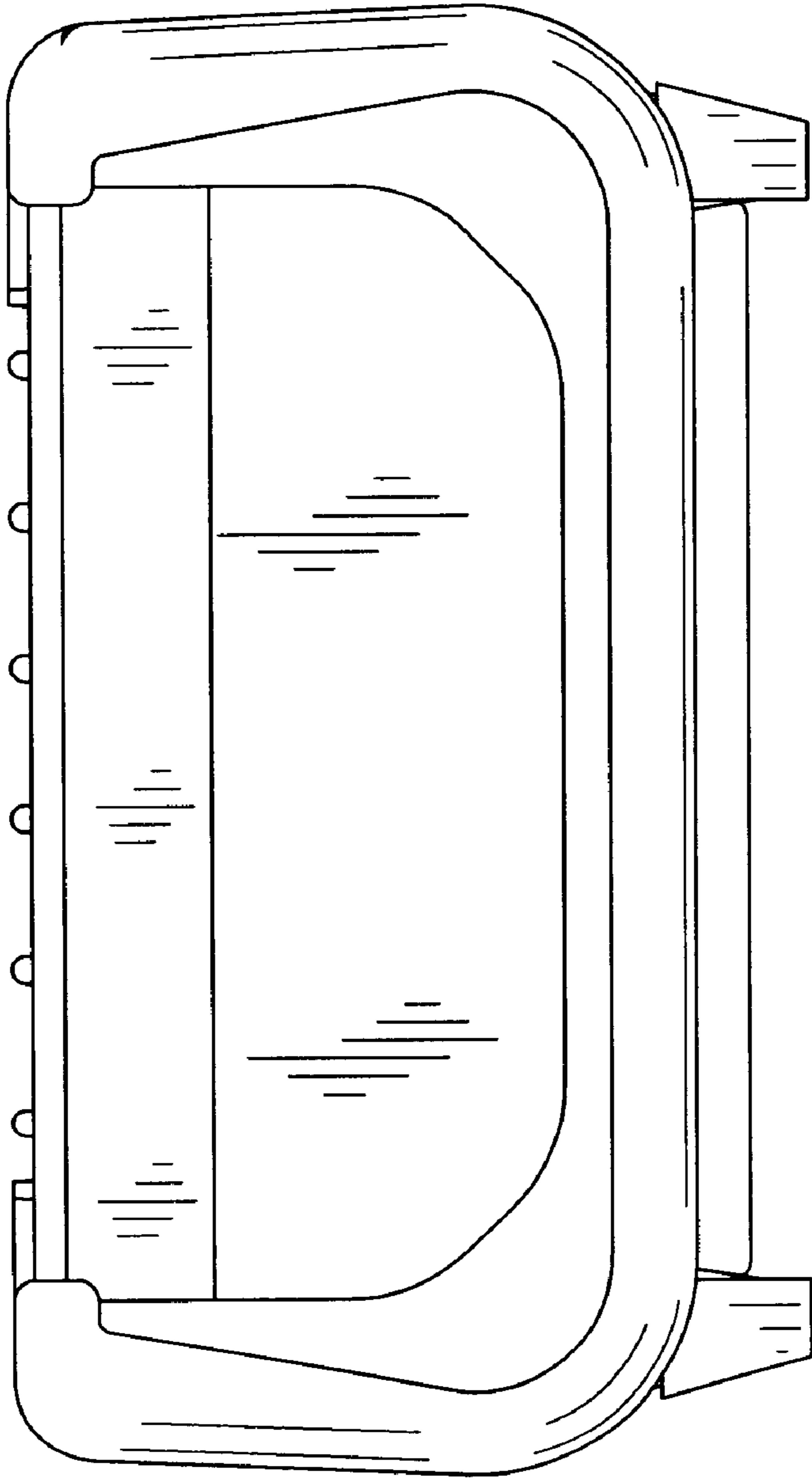


Fig. 7

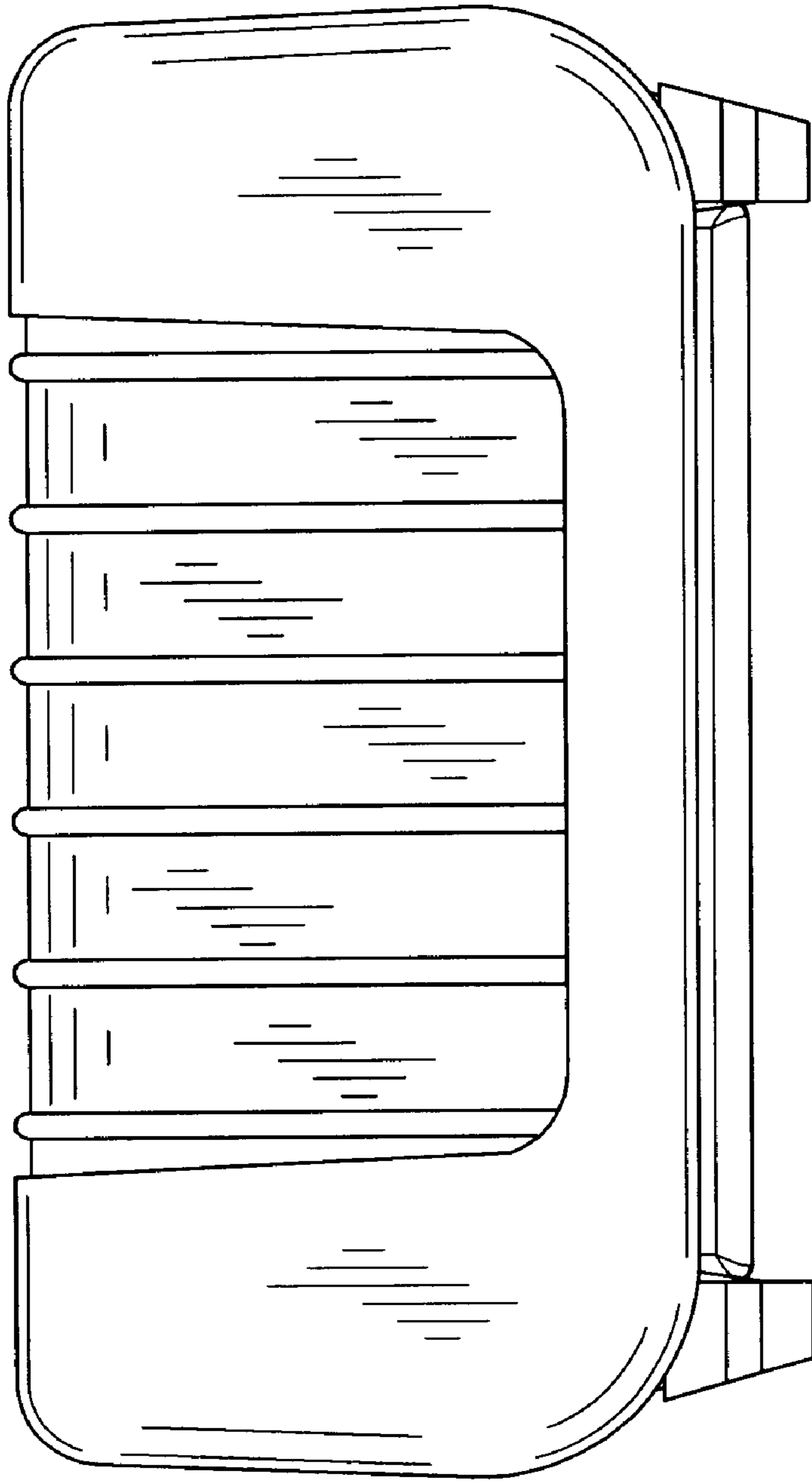


Fig. 8