



US00D485809S

(12) **United States Design Patent**
Ottens

(10) **Patent No.:** **US D485,809 S**

(45) **Date of Patent:** **** Jan. 27, 2004**

(54) **BLOCK MAGNET**
(75) Inventor: **Corey J. Ottens**, Morrison, IL (US)
(73) Assignee: **National Manufacturing Co.**, Sterling, IL (US)
(**) Term: **14 Years**

5,395,148 A 3/1995 Jameson et al.
5,408,818 A 4/1995 Damron
D383,666 S 9/1997 Adams
D391,231 S 2/1998 Cervený
5,999,074 A 12/1999 Coleman, Jr. et al.
6,041,717 A 3/2000 Kubat
6,124,777 A 9/2000 Snider
6,158,792 A * 12/2000 Snider 294/65.5
6,325,433 B1 * 12/2001 Nicholson et al. 294/65.5

(21) Appl. No.: **29/160,227**

(22) Filed: **May 8, 2002**

(51) **LOC (7) Cl.** **13-99**

(52) **U.S. Cl.** **D13/183**

(58) **Field of Search** D8/354, 373; D13/183;
D34/35; 56/400.04; 248/206.5; 294/65.5;
335/209, 284, 285, 288, 289, 291, 294,
295

FOREIGN PATENT DOCUMENTS

DE 800 761 12/1950
DE 1 265 950 4/1968
DE 2 512 470 A1 10/1976
DE 229726 6 2/1983
FR 1.214.446 4/1960
GB 639039 6/1950
GB 1 500 553 2/1978
GB 2 295 491 A 6/1996
GB 2 329 282 A 3/1999

(56) **References Cited**

U.S. PATENT DOCUMENTS

D19,896 S 6/1890 Weston
D47,812 S 9/1915 Cutten
2,405,655 A 8/1946 Kehoe
2,954,257 A 9/1960 Besuch et al.
2,970,003 A 1/1961 Heath, Jr. et al.
3,384,408 A 5/1968 Furzey
3,646,492 A 2/1972 Westermann
4,017,386 A 4/1977 Barry
4,055,824 A * 10/1977 Baermann 335/288
4,105,239 A 8/1978 Akczinski, Sr.
D256,543 S 8/1980 George
D273,205 S 3/1984 Sahler
D273,206 S 3/1984 Sahler
4,802,702 A 2/1989 Bowns
4,904,376 A 2/1990 Haase
D307,745 S 5/1990 Adams
5,021,021 A * 6/1991 Ballard 446/92
5,065,537 A 11/1991 Bailey
D337,411 S * 7/1993 Smith D34/35
D343,166 S * 1/1994 Nanji D13/183

* cited by examiner

Primary Examiner—Mitchell Siegel

Assistant Examiner—Selina Sikder

(74) *Attorney, Agent, or Firm*—Marshall, Gerstein & Borun LLP

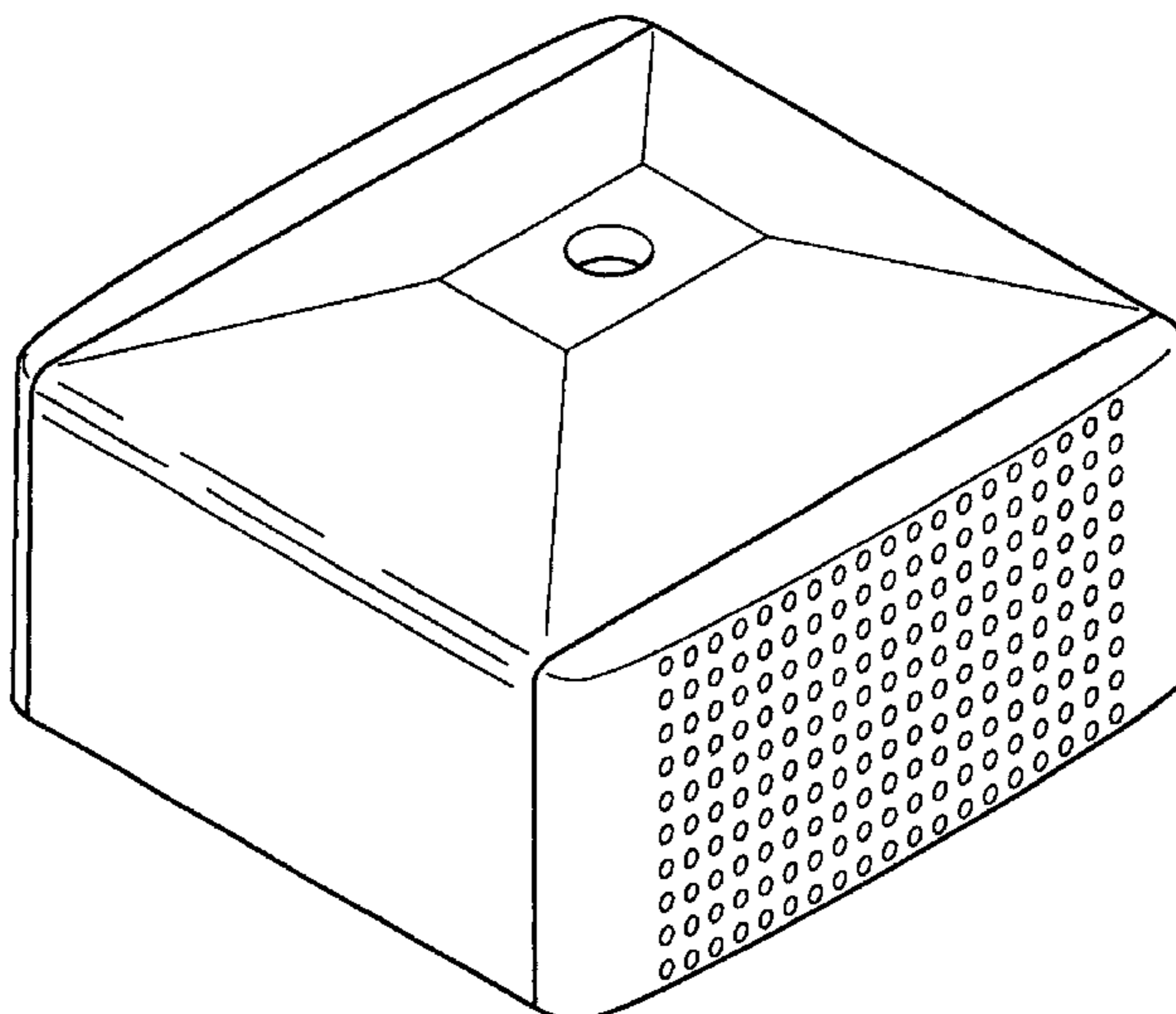
(57) **CLAIM**

The ornamental design for a “block magnet”, as shown and described.

DESCRIPTION

FIG. 1 is a top perspective view showing my new design; FIG. 2 is a front view, the rear view being a mirror image thereof; FIG. 3 is a right elevational view, the left elevational view being a mirror image thereof; FIG. 4 is a plan view thereof; and, FIG. 5 is a bottom view thereof.

1 Claim, 3 Drawing Sheets



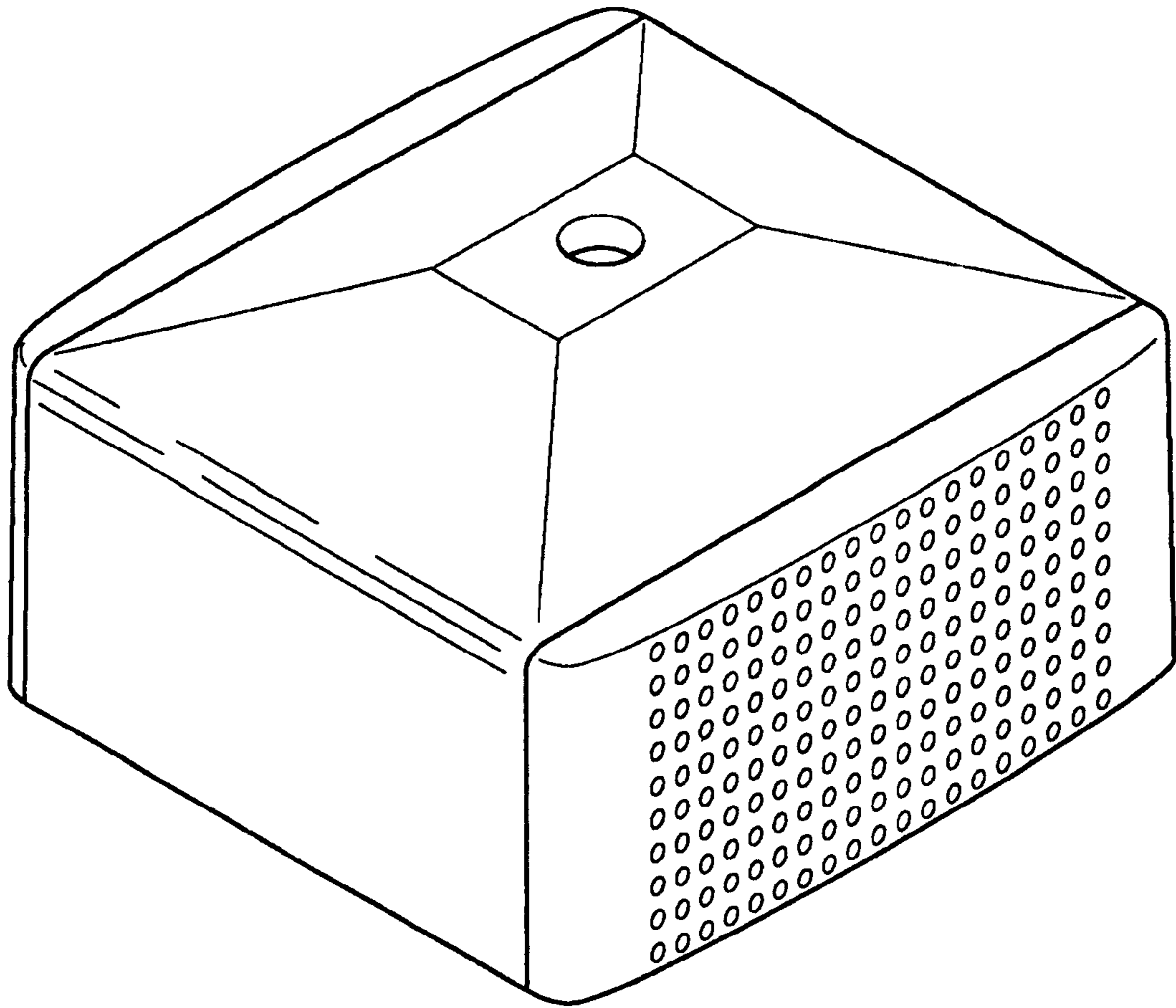


FIG. 1

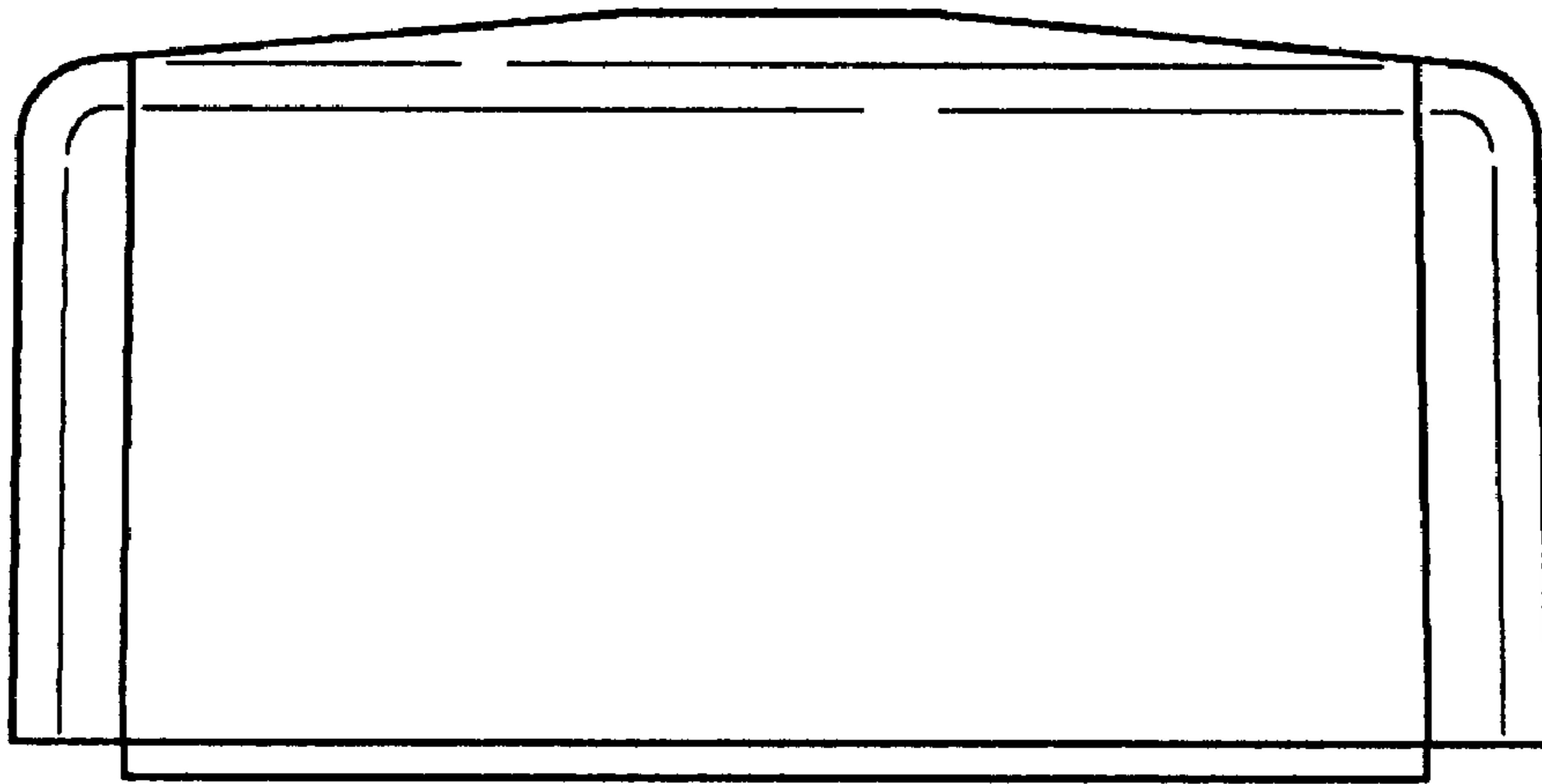


FIG. 2

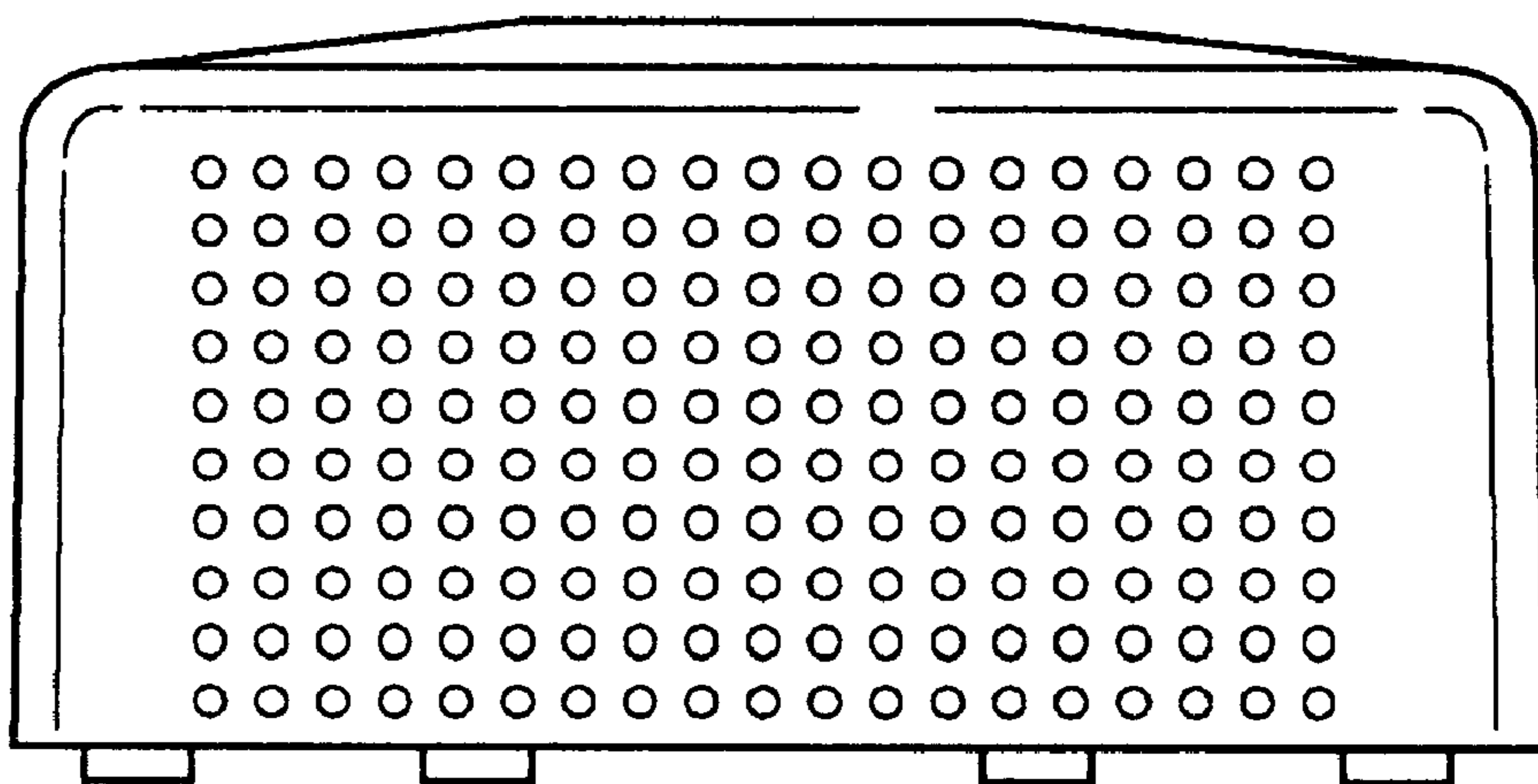


FIG. 3

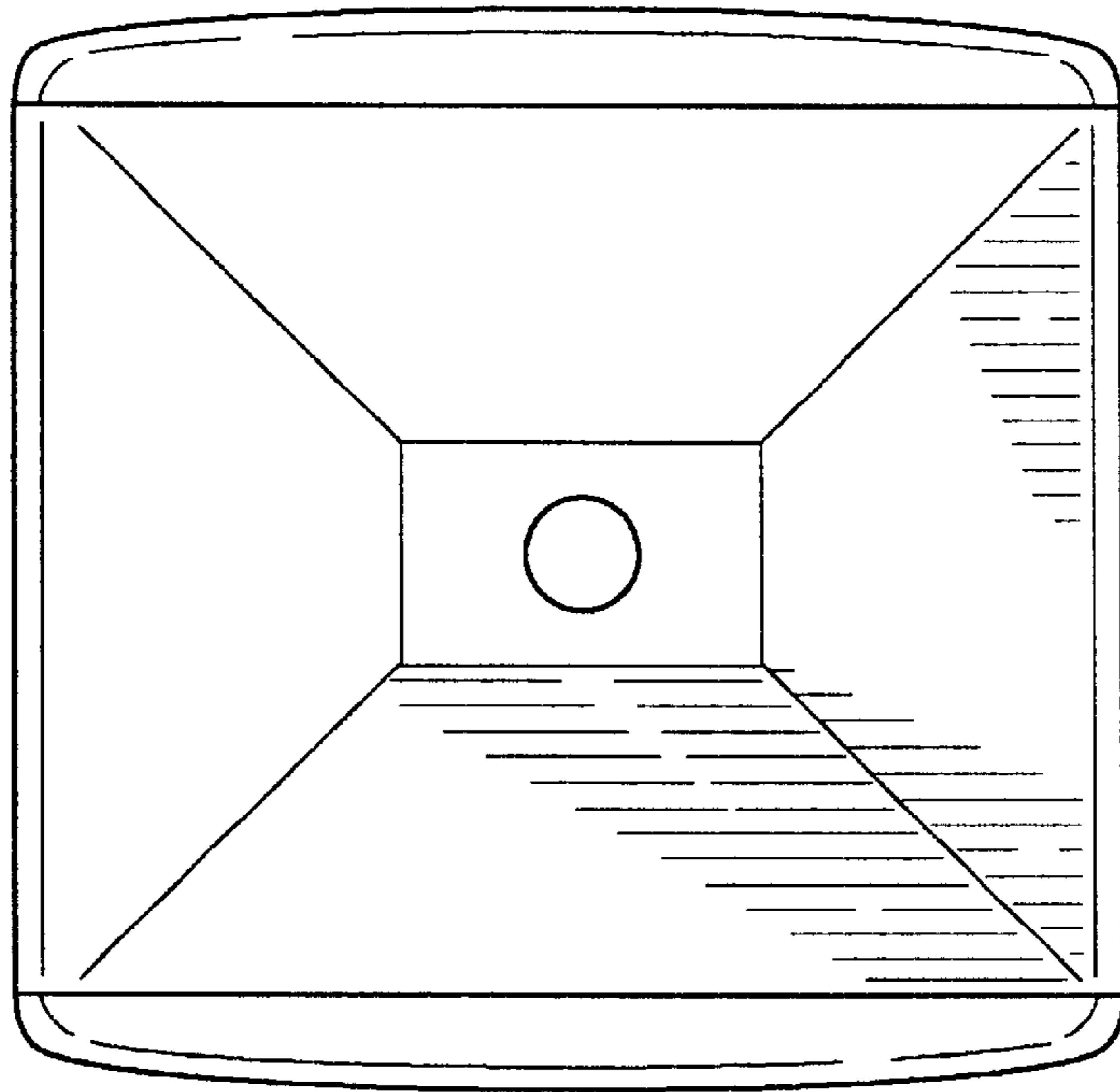


FIG. 4

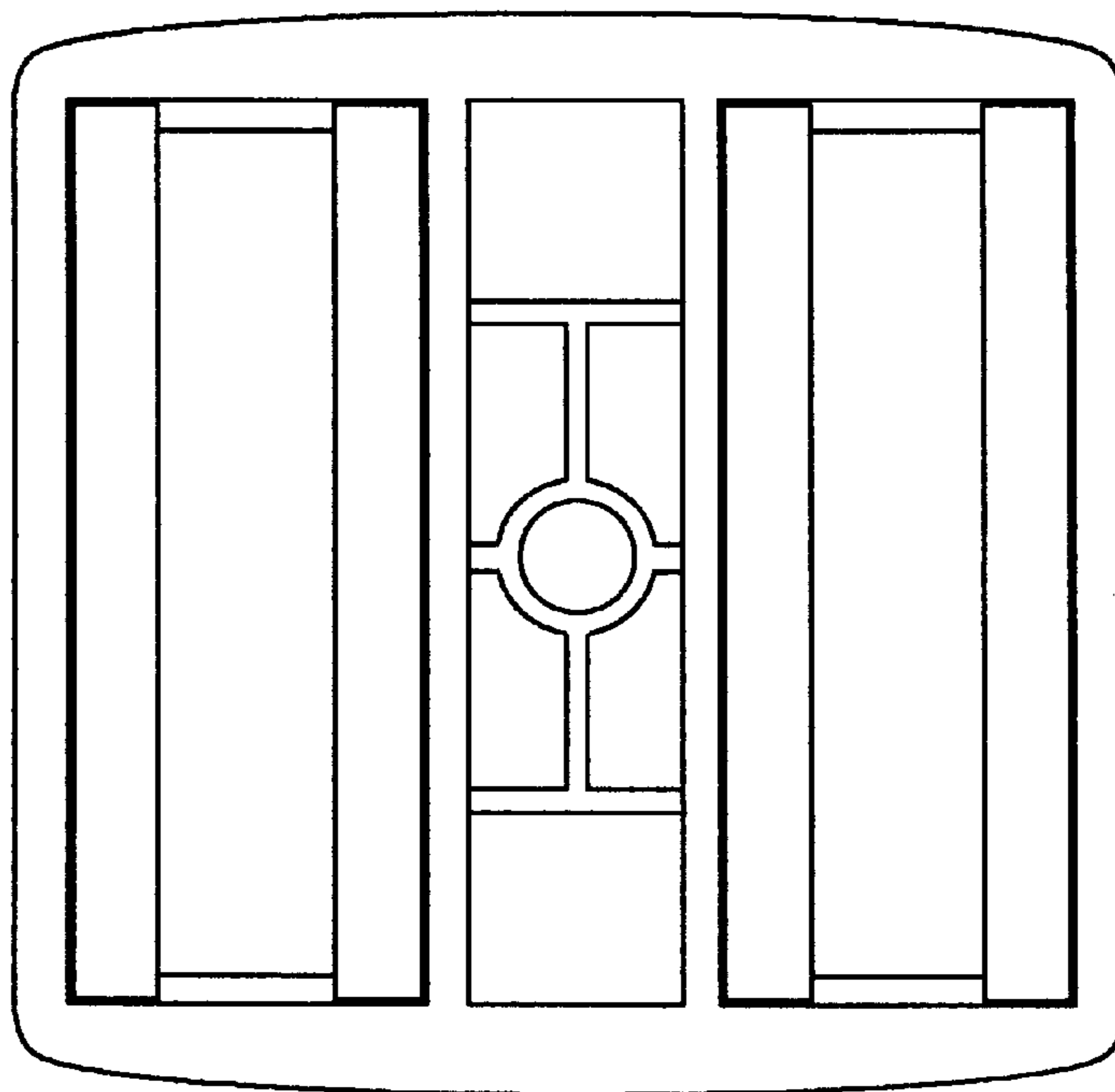


FIG. 5