



US00D485807S

(12) **United States Design Patent**  
**Kao et al.**

(10) **Patent No.:** **US D485,807 S**

(45) **Date of Patent:** **\*\* Jan. 27, 2004**

(54) **ELECTRICAL CARD CONNECTOR**

(75) Inventors: **Harrey Kao**, Kunsan (CN); **Jian Qiang Zhang**, Kunsan (CN)

(73) Assignee: **Hon Hai Precision Ind. Co., Ltd.**,  
Taipei Hsien (TW)

(\*\*) Term: **14 Years**

(21) Appl. No.: **29/169,633**

(22) Filed: **Oct. 22, 2002**

(51) **LOC (7) Cl.** ..... **13-03**

(52) **U.S. Cl.** ..... **D13/133; D14/433; D13/120**

(58) **Field of Search** ..... **D14/432, 433,**  
**D14/435; D13/120, 133, 147; 439/65, 295,**  
**441, 660, 862, 152; 361/685, 727; 200/51.09**

(56) **References Cited**

**U.S. PATENT DOCUMENTS**

D419,133 S \* 1/2000 Yoshida et al. .... D13/120

2002/0079202 A1 \* 6/2002 Motojima ..... 200/51.09  
2003/0022537 A1 \* 1/2003 Bricaud et al. .... 439/152  
2003/0063436 A1 \* 4/2003 Cox et al. .... 361/685

\* cited by examiner

*Primary Examiner*—Kay H. Chin

(74) *Attorney, Agent, or Firm*—Wei Te Chung

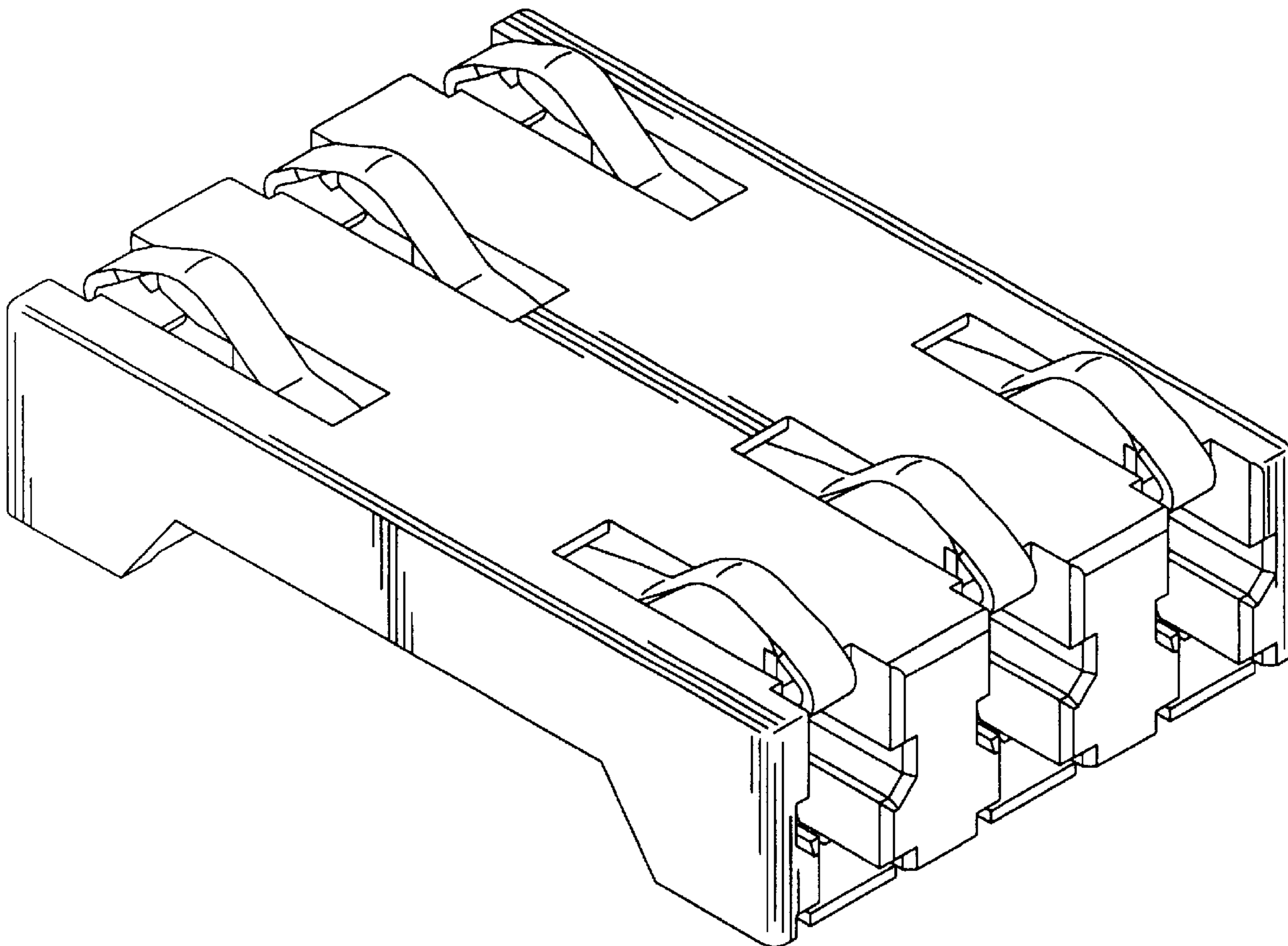
(57) **CLAIM**

The ornamental design for an electrical card connector, as shown.

**DESCRIPTION**

FIG. 1 is a front, top and right side perspective view of an electrical card connector showing my new design; FIG. 2 is a front elevational view thereof; FIG. 3 is a rear elevational view thereof; FIG. 4 is a left side elevational view thereof; FIG. 5 is a right side elevational view thereof; FIG. 6 is a top plan view thereof; and, FIG. 7 is a bottom plan view thereof.

**1 Claim, 7 Drawing Sheets**



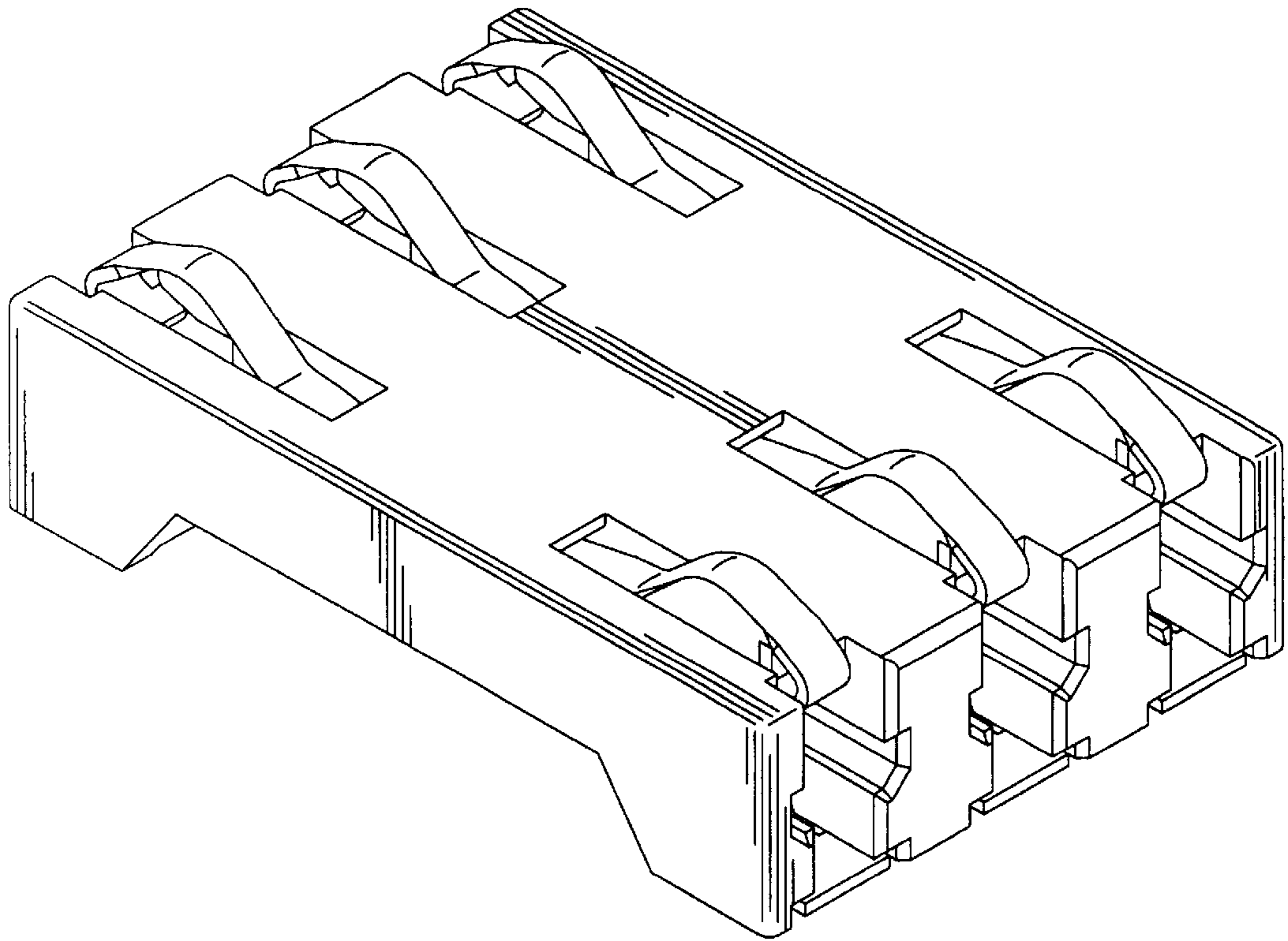


FIG. 1

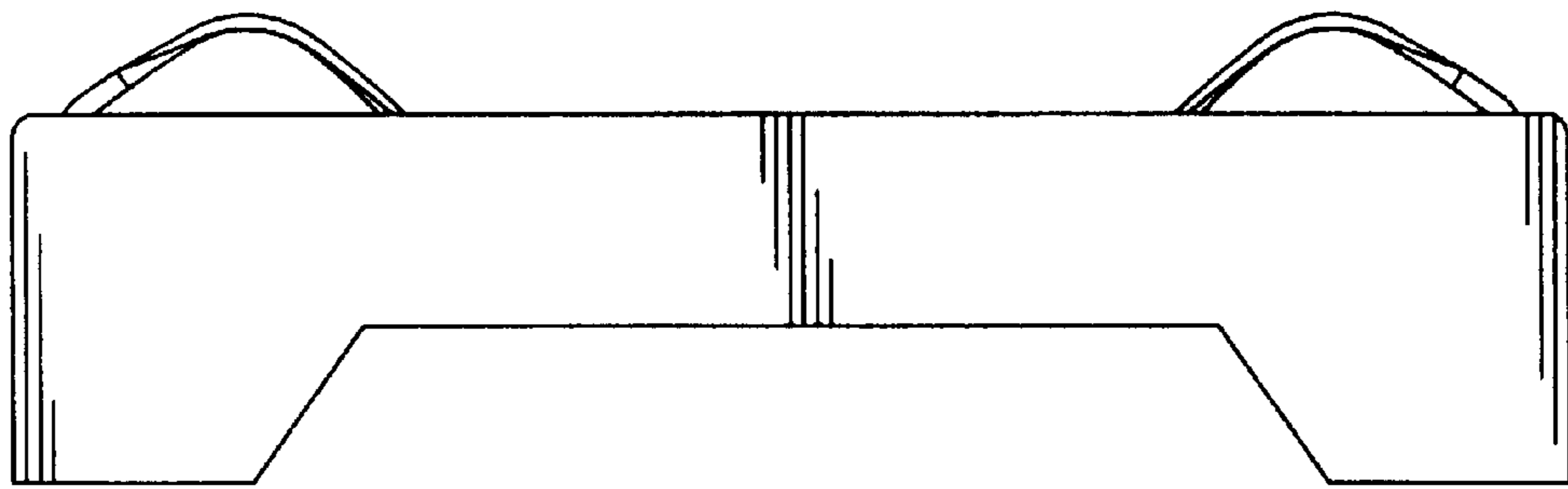


FIG. 2

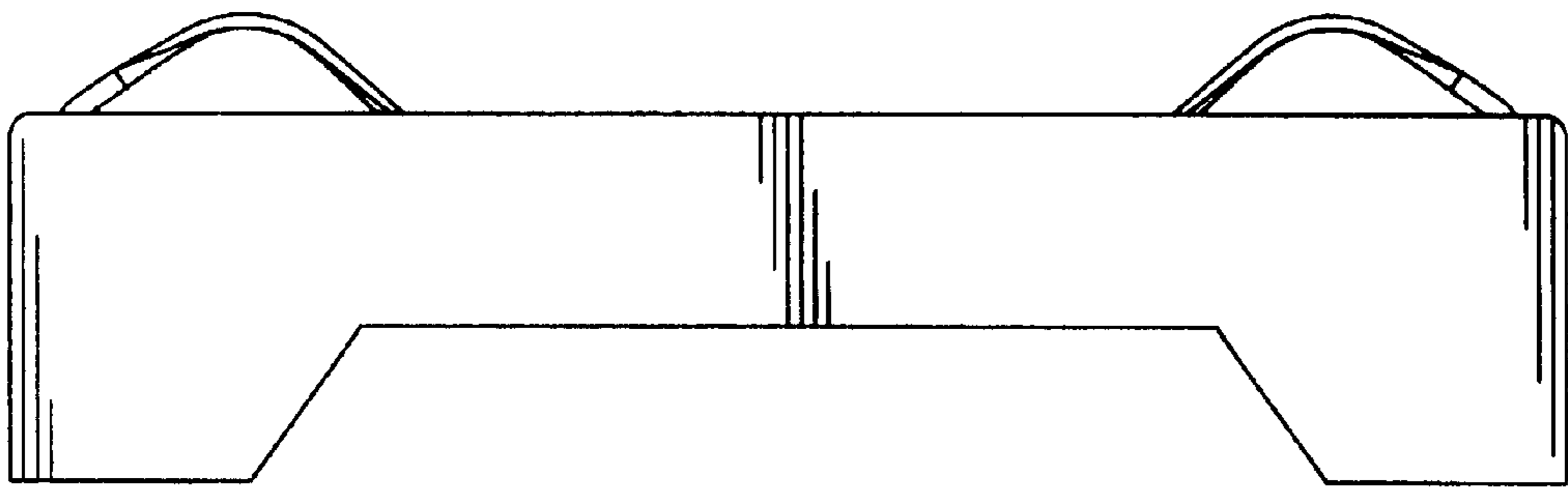


FIG. 3

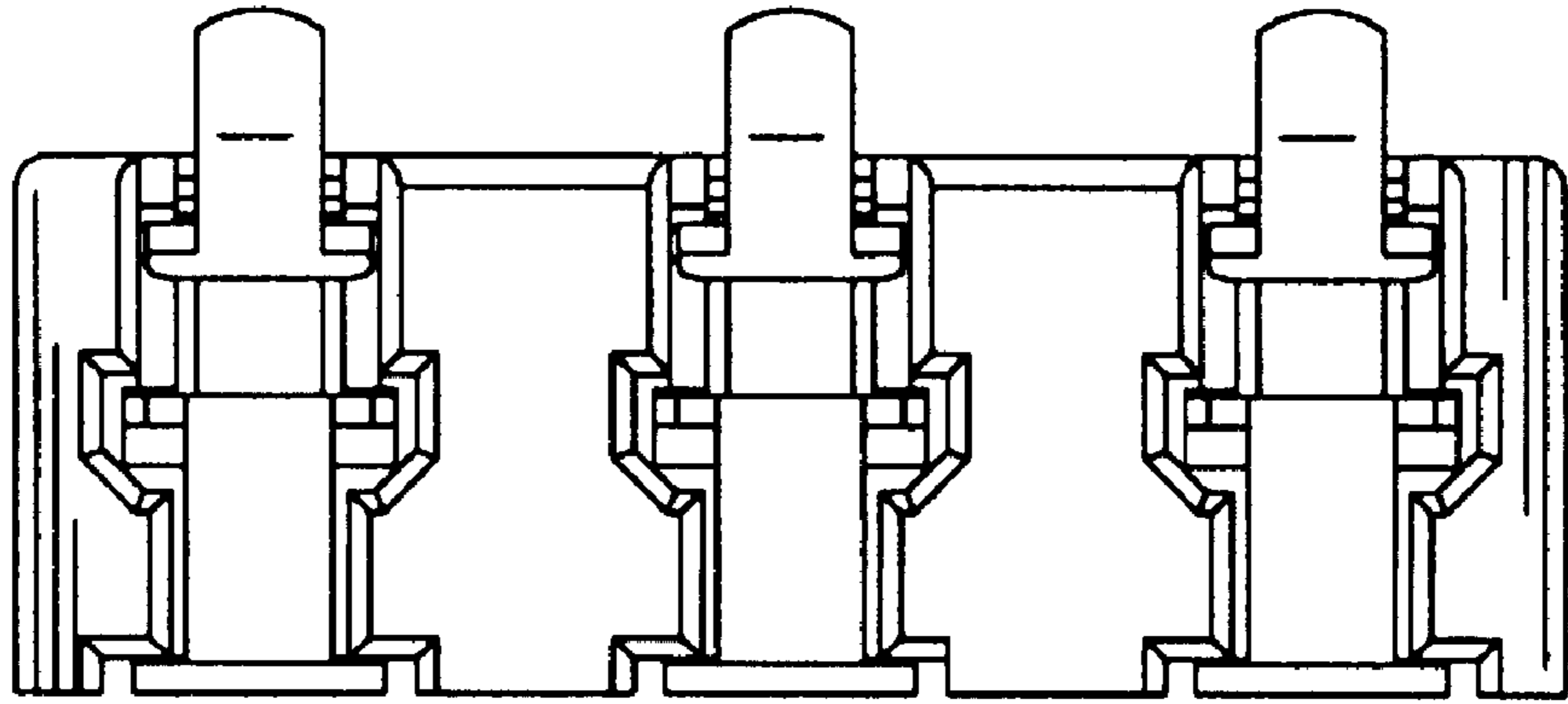


FIG. 4

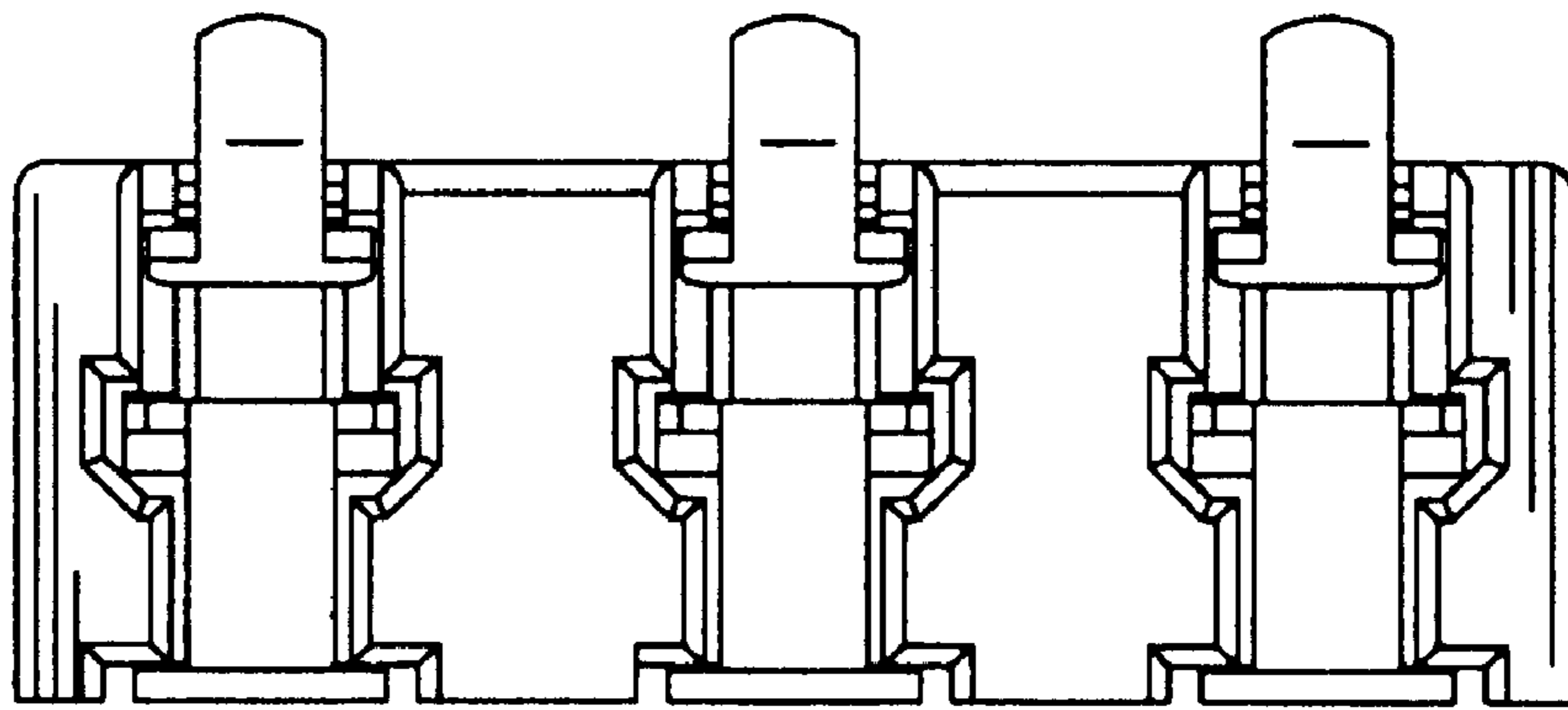


FIG. 5

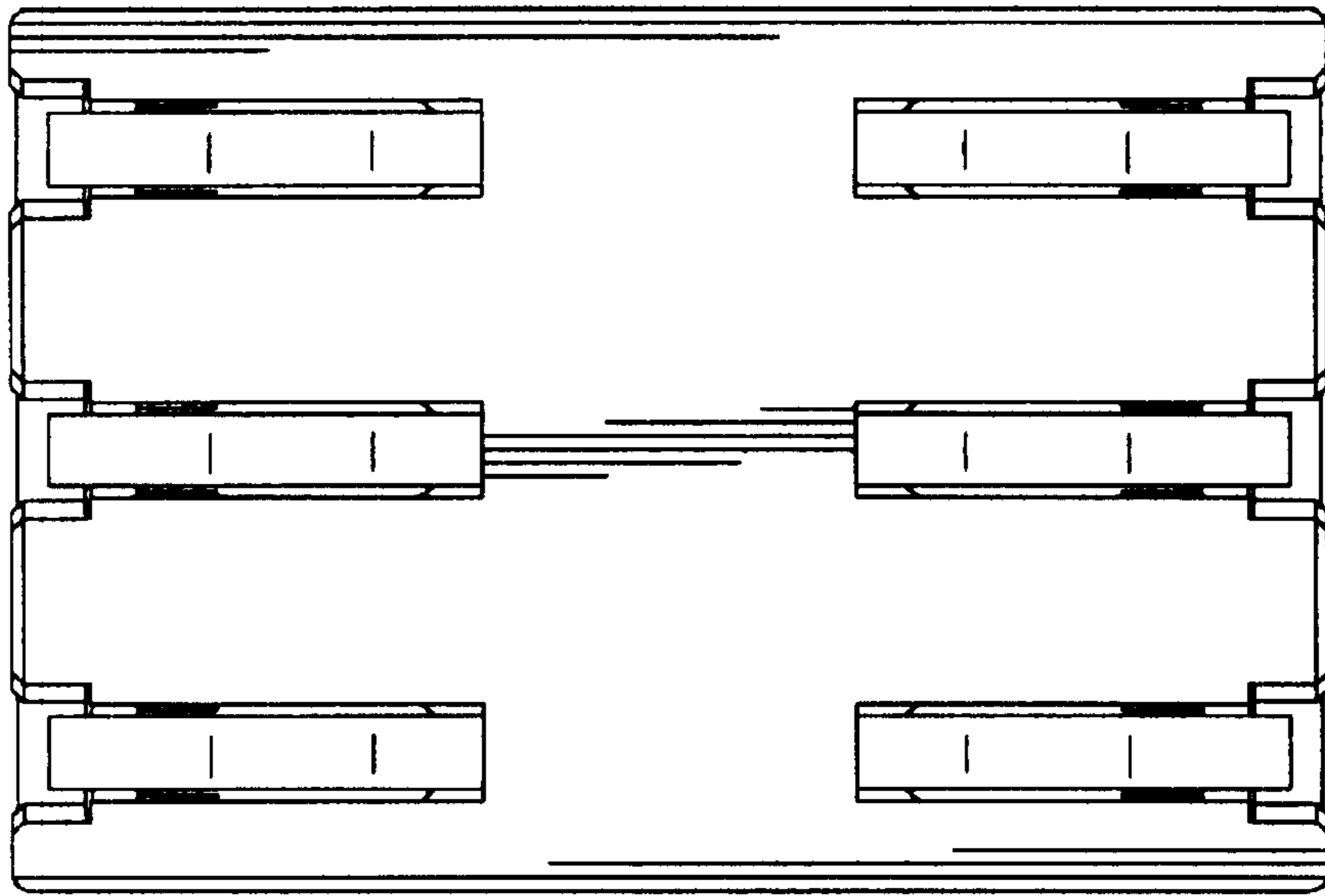


FIG. 6

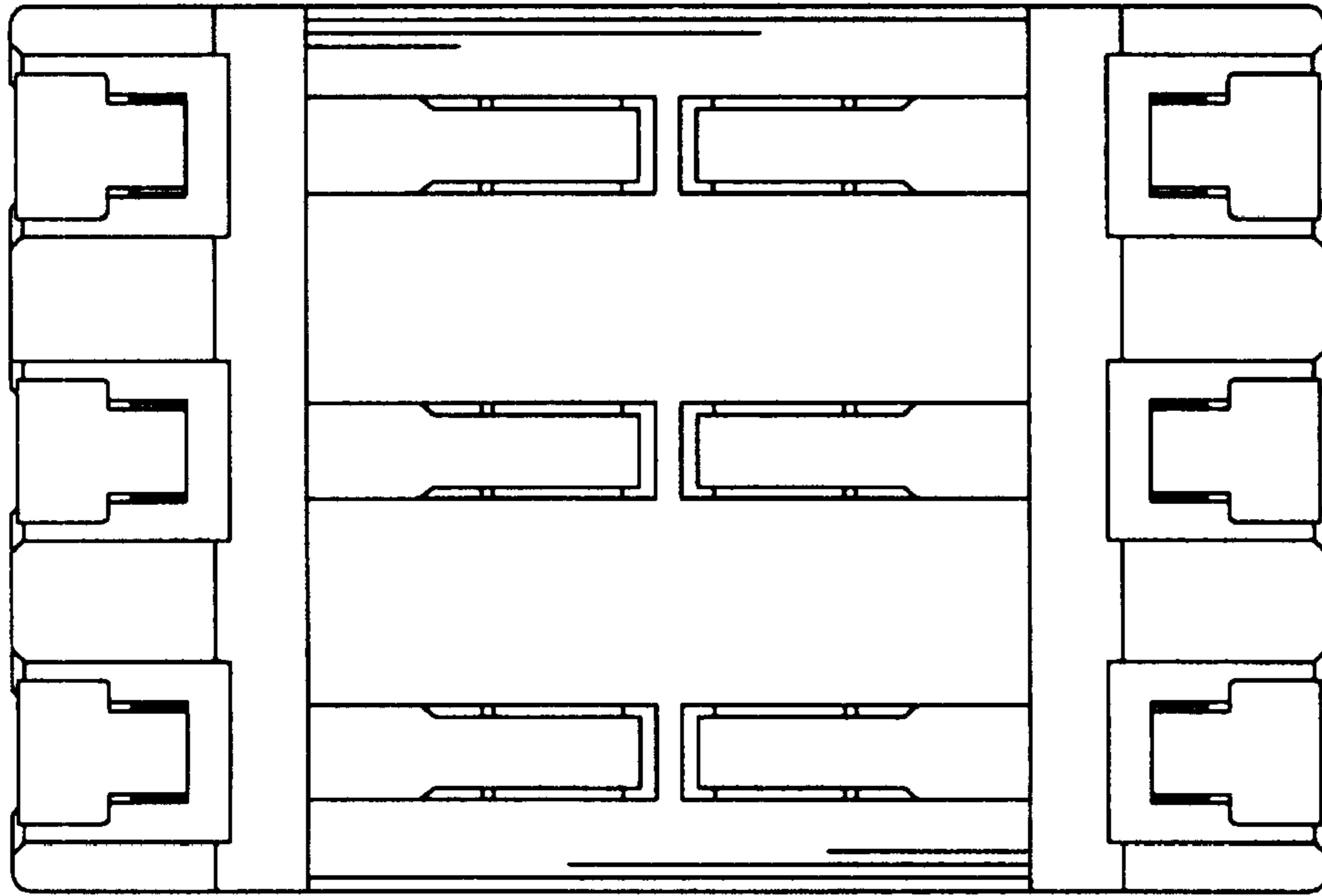


FIG. 7