



US00D485806S

(12) **United States Design Patent**  
**Cook**

(10) **Patent No.:** **US D485,806 S**

(45) **Date of Patent:** **\*\* Jan. 27, 2004**

(54) **TRANSFORMER PULPIT**

(76) Inventor: **Dean Walter Cook**, 6122 - 170th Street, Surrey, B.C. (CA), V3S 3Y8

(\*\*) Term: **14 Years**

(21) Appl. No.: **29/165,857**

(22) Filed: **Aug. 20, 2002**

(30) **Foreign Application Priority Data**

Jul. 24, 2002 (CA) ..... 100161

(51) **LOC (7) Cl.** ..... **13-99**

(52) **U.S. Cl.** ..... **D13/118**

(58) **Field of Search** ..... D13/110, 118;  
248/73, 225.11, 300, 678, 346.01; D8/354,  
349

(56) **References Cited**

**U.S. PATENT DOCUMENTS**

- 4,056,251 A \* 11/1977 Dixon ..... 248/678
- 4,171,791 A \* 10/1979 Britz ..... 249/156
- 5,142,102 A 8/1992 Michie ..... 174/50
- 5,816,554 A \* 10/1998 McCracken ..... 248/346.01
- D422,557 S \* 4/2000 Grace ..... D13/118

**OTHER PUBLICATIONS**

Faulkins, D. Vancouver International Airport New Category III Runway Lighting System [online] Feb. 2001 [retrieved on Nov. 5, 2002]. Retrieved from the Internet: <http://web.ar->

[chive.org/web/20010223100933/www.ae.ca/about/papers/vanlight.html](http://chive.org/web/20010223100933/www.ae.ca/about/papers/vanlight.html).\*

Large Round Plastic Junction Box, Catalog No. 25010 (JB530), West Coast Engineering Group Ltd., Delta, British Columbia, Canada.

Small Round Plastic Junction Box, Catalog No. 25020 (JB370). West Coast Engineering Group Ltd., Delta, British Columbia, Canada.

Large Round Plastic Splice Pit, Catalog No. 25200 (S1010), West Coast Engineering Group Ltd., Delta, British Columbia, Canada.

\* cited by examiner

*Primary Examiner*—Holly Baynham

(74) *Attorney, Agent, or Firm*—Oyen Wiggs Green & Mutala

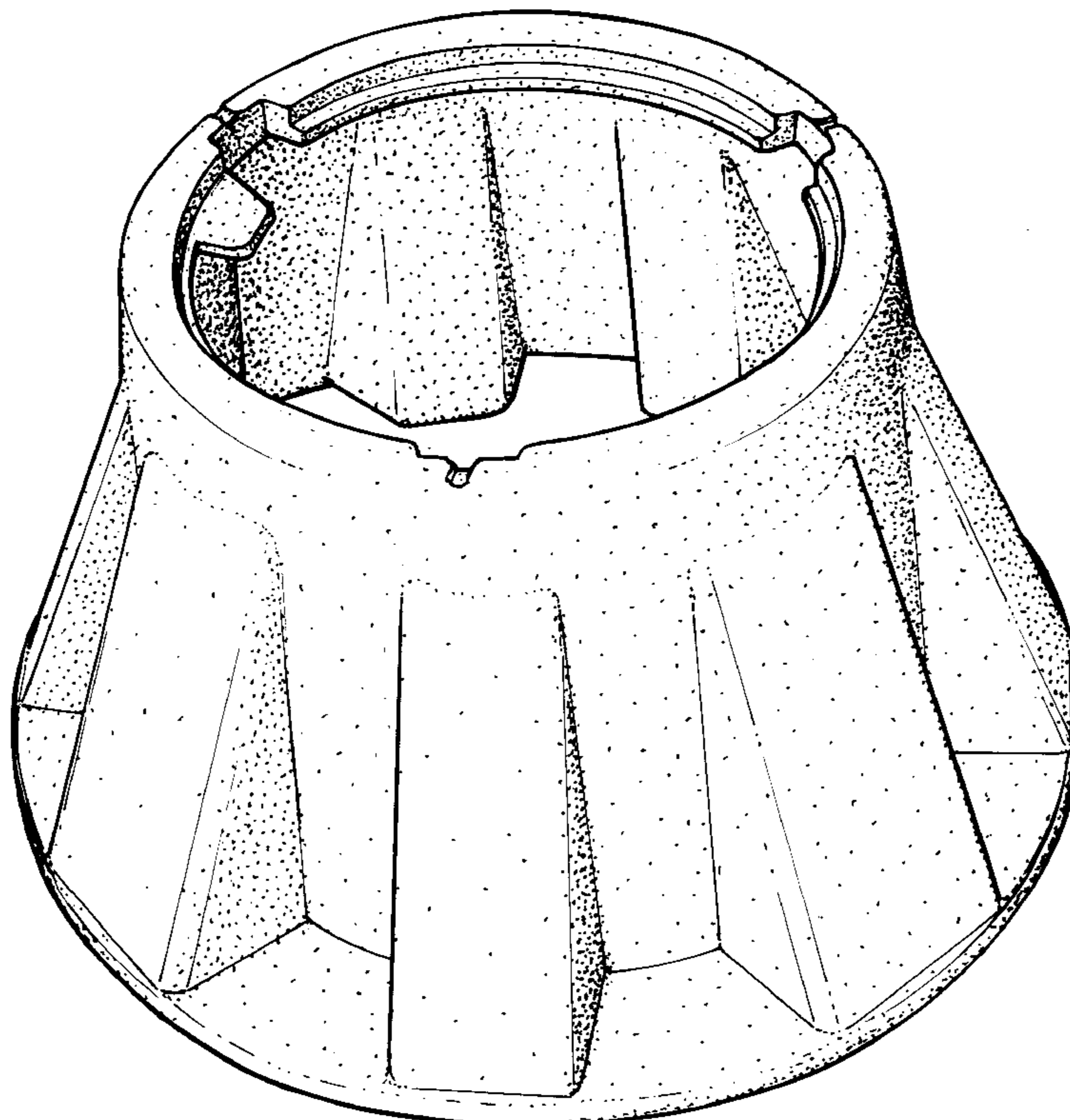
(57) **CLAIM**

The ornamental design for a transformer pulpit, as shown and described.

**DESCRIPTION**

FIG. 1 is a front top perspective view of the design; FIG. 2 is a front elevation view of the design; FIG. 3 is a top view of the design; and, FIG. 4 is a bottom view of the design.

**1 Claim, 4 Drawing Sheets**



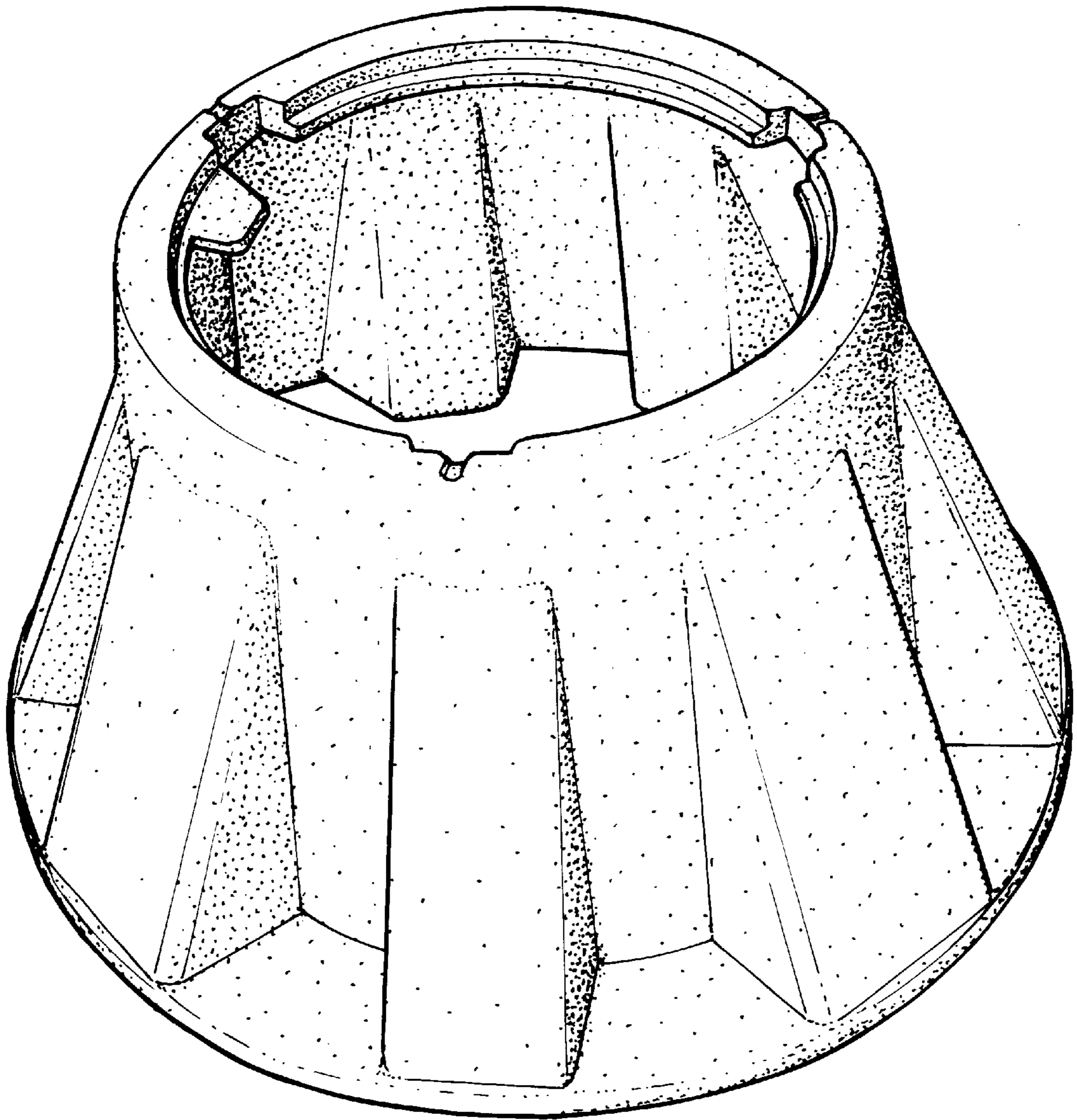


FIG. 1

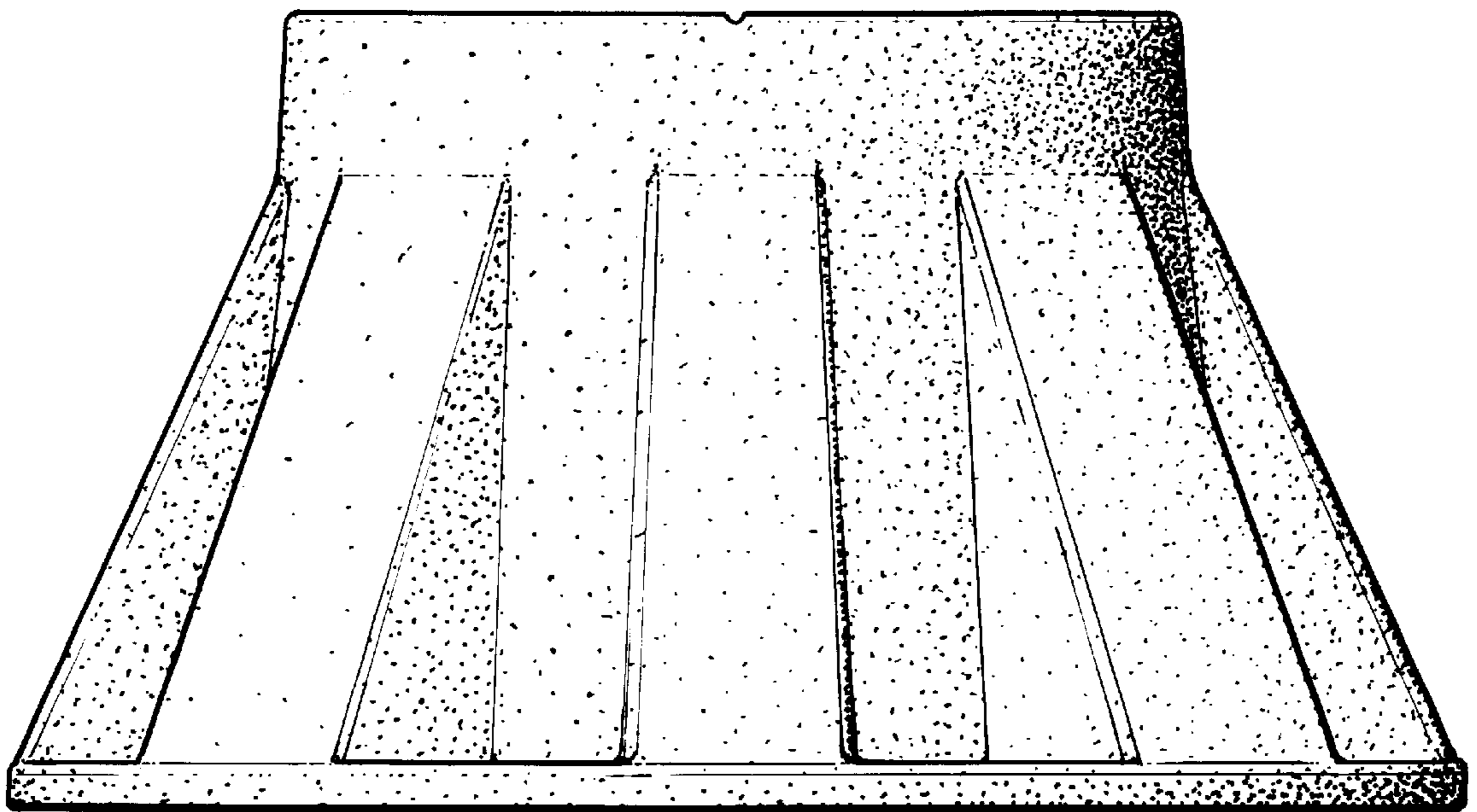


FIG. 2



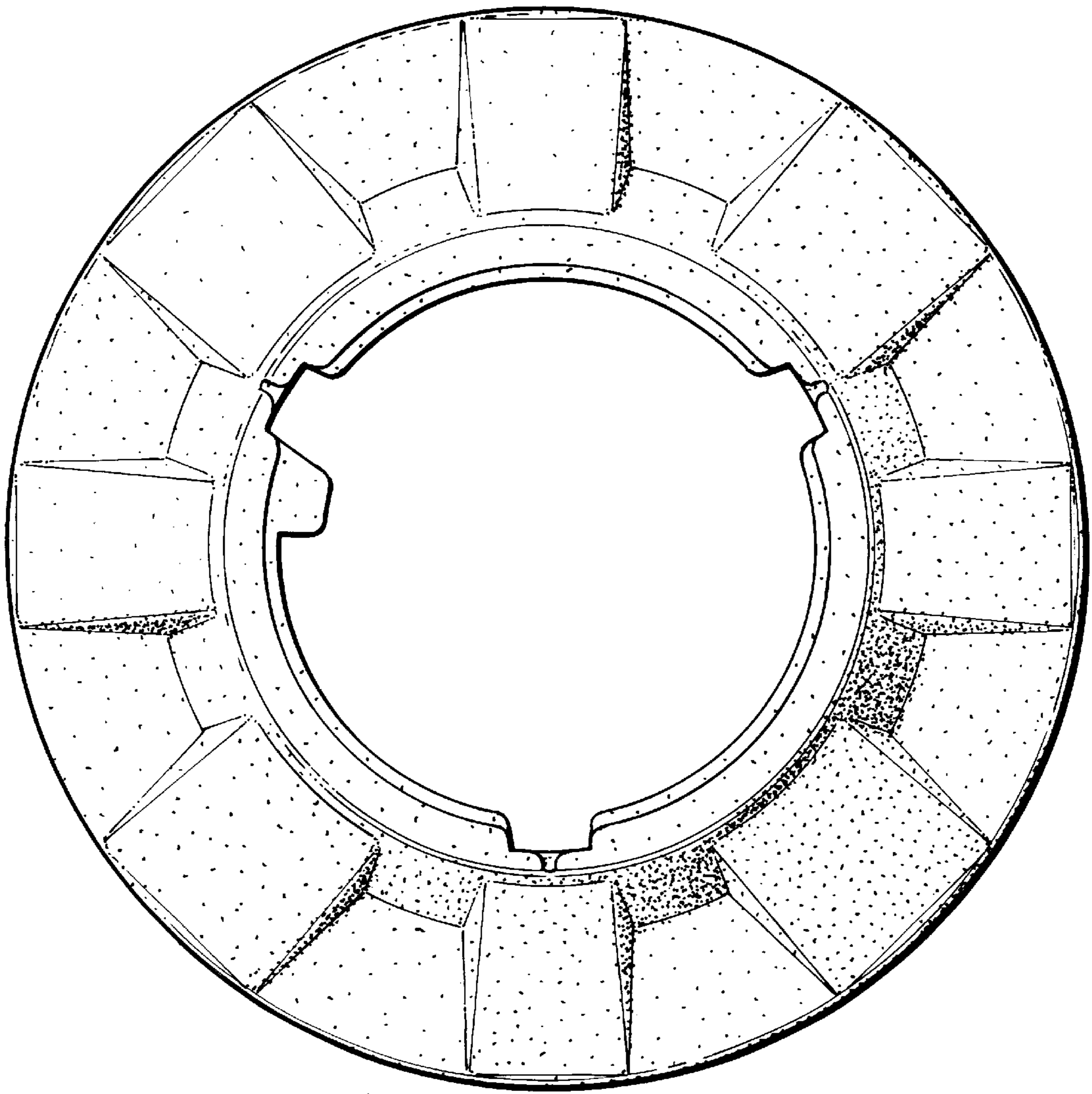


FIG. 3

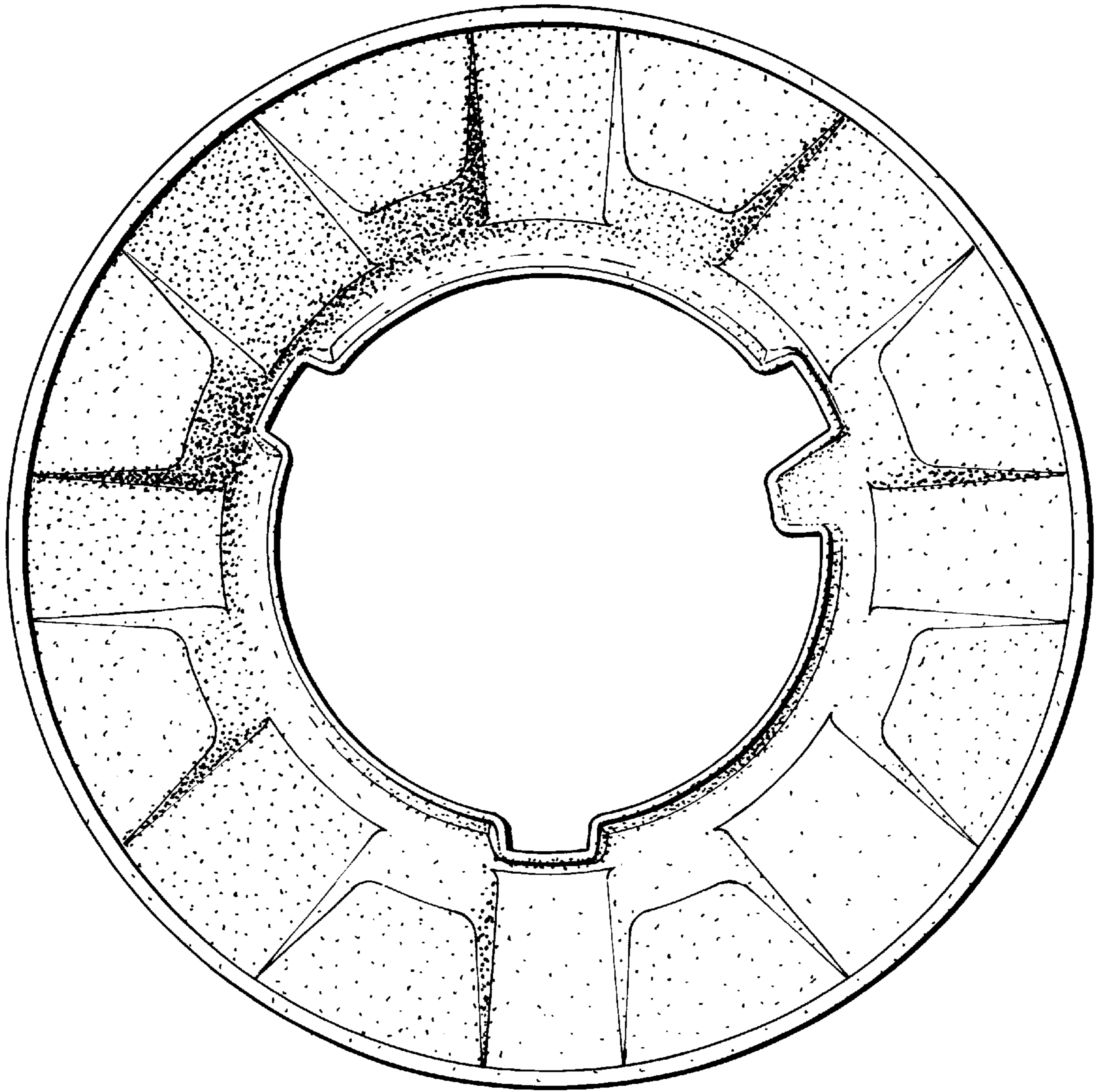


FIG. 4