



US00D485794S

(12) **United States Design Patent**
Kemer et al.

(10) **Patent No.:** **US D485,794 S**

(45) **Date of Patent:** **** Jan. 27, 2004**

(54) **PARKING BRAKE CONTROL VALVE
BUTTON COVER**

(75) Inventors: **John J. Kemer**, Avon Lake, OH (US);
Andrew Marsh, Elyria, OH (US)

(73) Assignee: **Bendix Commercial Vehicle Systems
LLC**, Elyria, OH (US)

(**) Term: **14 Years**

(21) Appl. No.: **29/172,232**

(22) Filed: **Dec. 9, 2002**

(51) **LOC (7) Cl.** **12-16**

(52) **U.S. Cl.** **D12/179**

(58) **Field of Search** D12/179, 174;
D13/158; 74/475, 489, 473.14, 473.16;
24/113 R; 200/332.1; 220/573.1; 428/334,
35.7

(56) **References Cited**

U.S. PATENT DOCUMENTS

D265,816 S	*	8/1982	Matre	D12/179
4,390,765 A		6/1983	Sado		
4,654,934 A		4/1987	Hasegawa		
4,766,271 A		8/1988	Mitsubishi et al.		
4,943,694 A		7/1990	Kroth		
4,969,241 A		11/1990	Griffin		
5,161,285 A		11/1992	Jerjian		
5,256,842 A		10/1993	Bianco		
5,679,304 A		10/1997	Watanabe et al.		

D387,734 S		12/1997	Hawkins, Jr. et al.	
5,804,299 A		9/1998	Nakata et al.	
D418,097 S	*	12/1999	Leschke et al. D12/179
6,187,514 B1		2/2001	Kiyosawa et al.	
6,193,096 B1		2/2001	Raoult	
D445,232 S	*	7/2001	Price D12/179
6,270,860 B1		8/2001	Nakata et al.	
D454,818 S	*	3/2002	MacGregor D12/179
6,383,218 B1		5/2002	Sourdille et al.	
6,413,598 B1		7/2002	Motoki et al.	

* cited by examiner

Primary Examiner—Melody N. Brown

(74) *Attorney, Agent, or Firm*—Calfee, Halter & Griswold
LLP

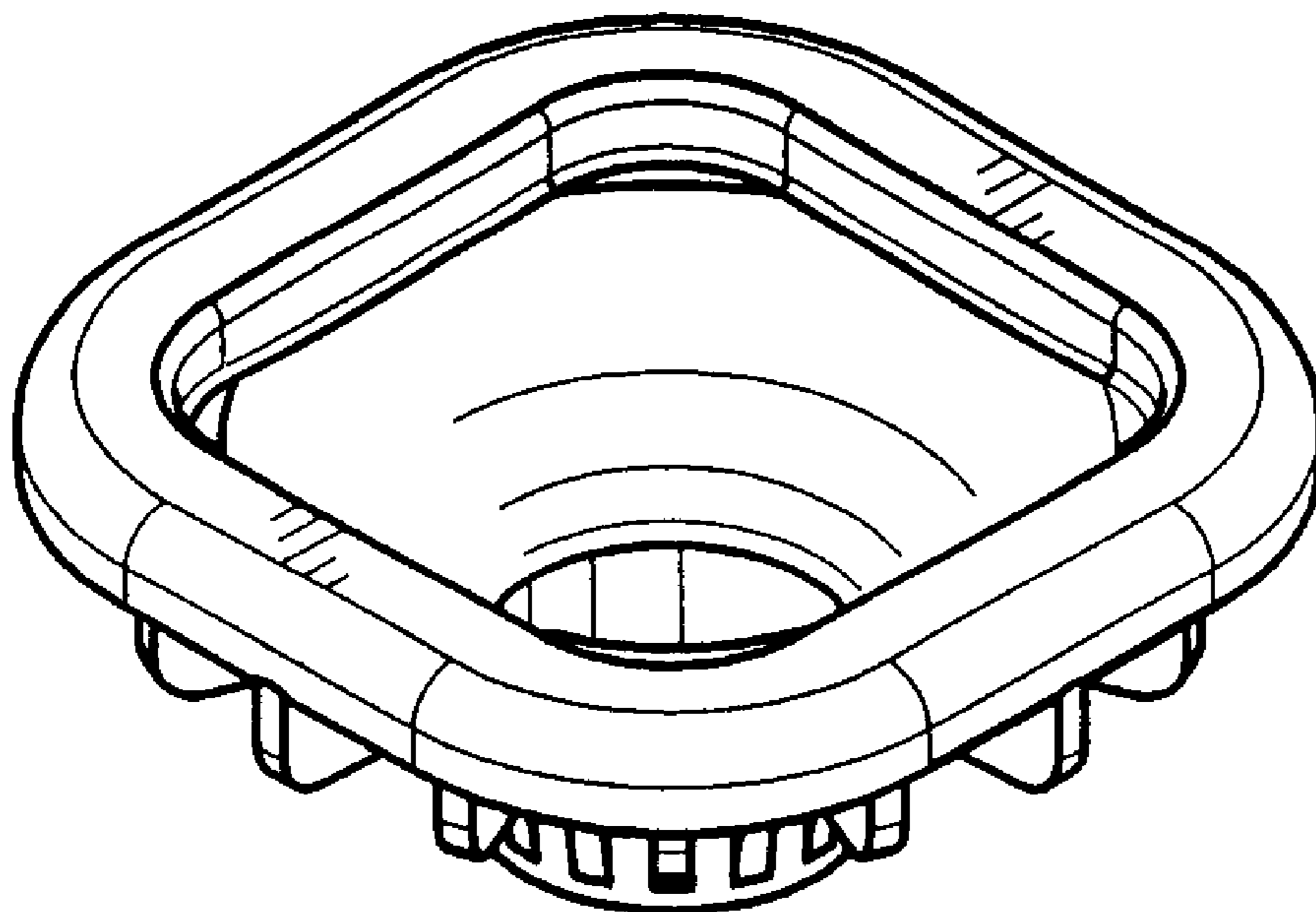
(57) **CLAIM**

The ornamental design for a parking brake control valve
button cover, as shown and described.

DESCRIPTION

FIG. 1 is a perspective view of a parking brake control valve
button cover showing the new design;
FIG. 2 is a top view of the button cover of FIG. 1;
FIG. 3 is a side view of the button cover of FIG. 1;
FIG. 4 is a bottom view of the button cover of FIG. 1; and,
FIG. 5 is a perspective view of the button cover of FIG. 1
engaging a parking brake control valve button.
The broken lines shown in FIG. 5 are for illustrative
purposes only and form no part of the claimed design.

1 Claim, 1 Drawing Sheet



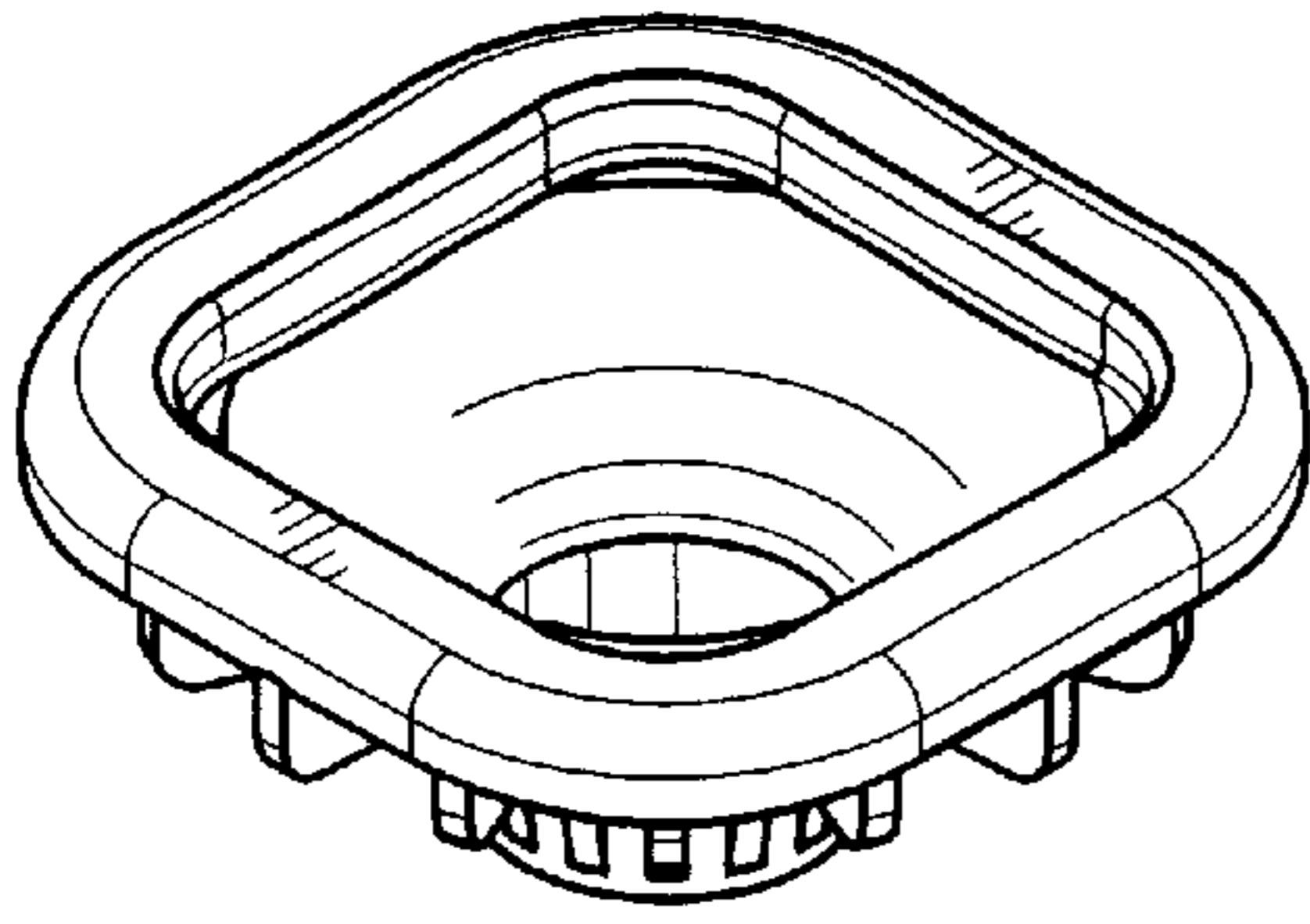


FIG. 1

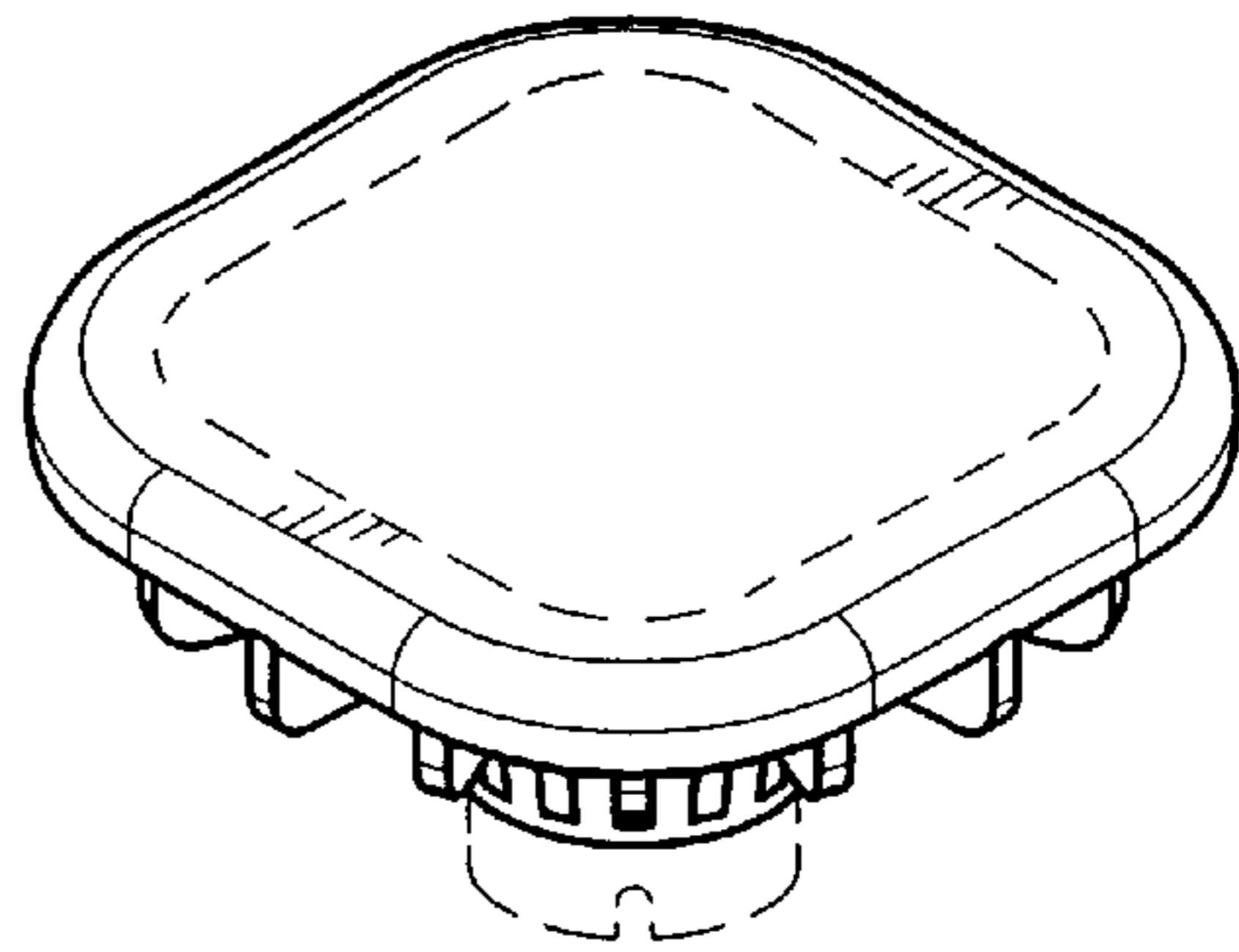


FIG. 5

FIG. 2

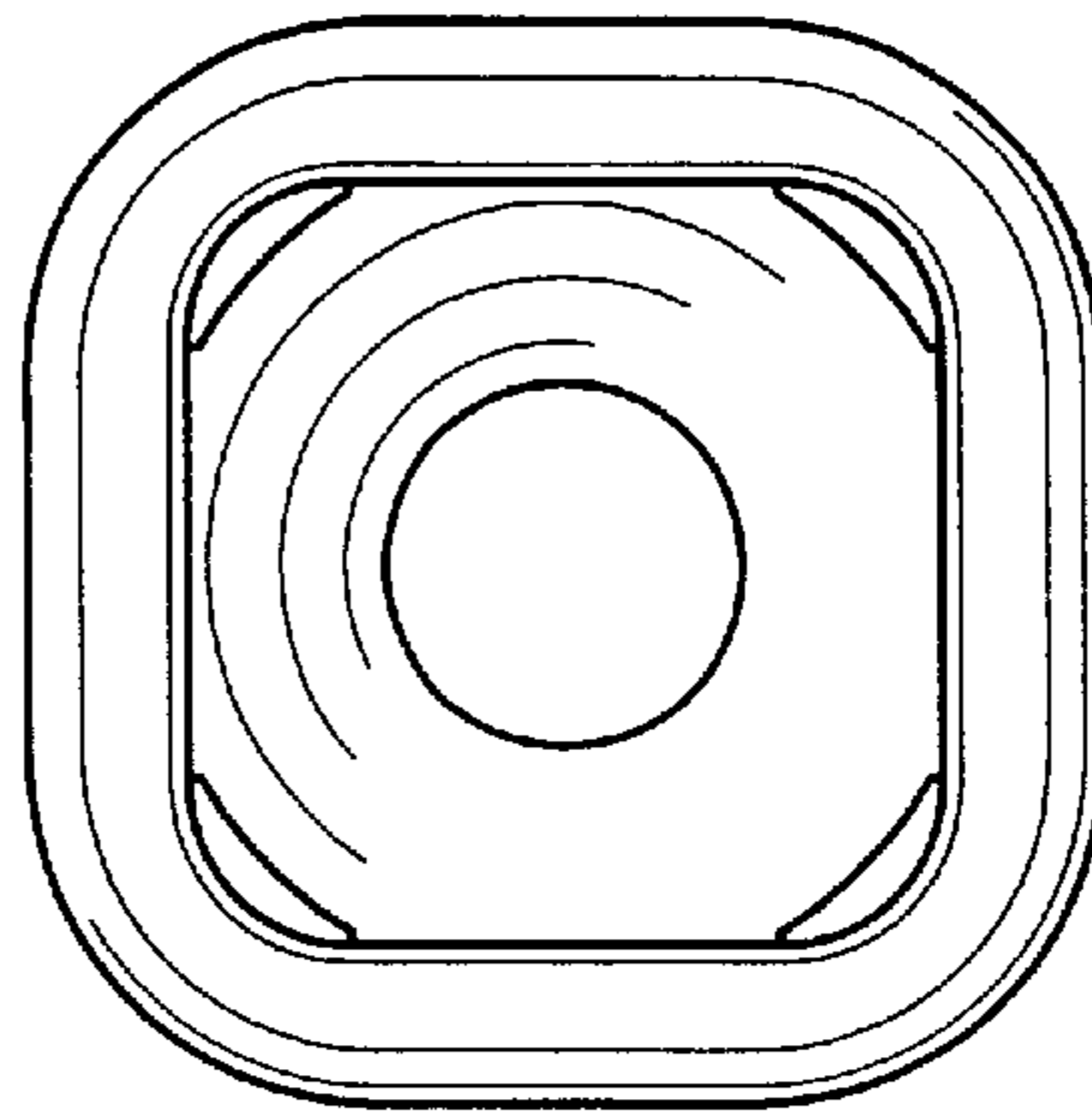


FIG. 3

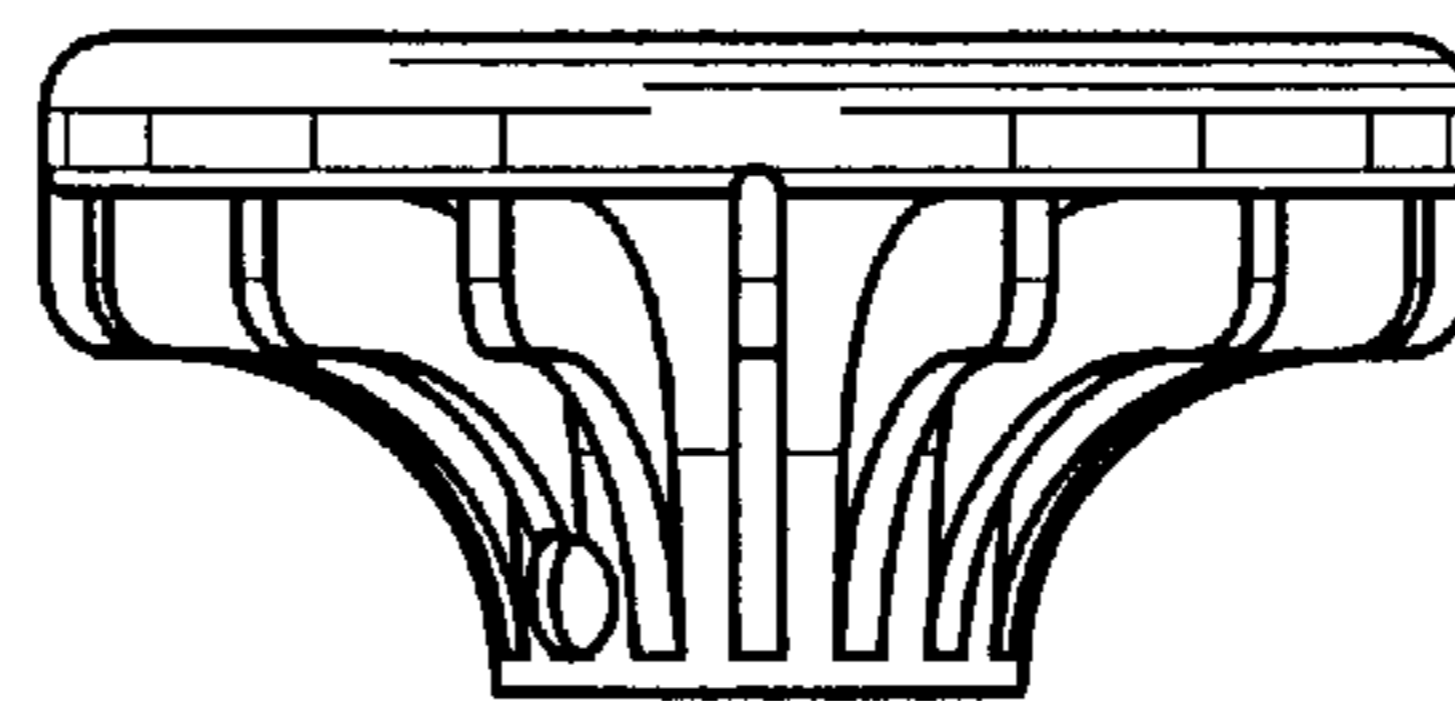


FIG. 4

