



US00D485792S

(12) **United States Design Patent**
Whittington

(10) **Patent No.:** **US D485,792 S**

(45) **Date of Patent:** **** Jan. 27, 2004**

(54) **MOTORCYCLE MUFFLER GUARD**

(76) Inventor: **Peter C. Whittington**, 3205 Cleveland St., Hollywood, FL (US) 33021

(**) Term: **14 Years**

(21) Appl. No.: **29/164,670**

(22) Filed: **Jul. 29, 2002**

(51) **LOC (7) Cl.** **12-11**

(52) **U.S. Cl.** **D12/126**

(58) **Field of Search** D12/110, 114,
D12/126, 194; D15/5; 180/89.2, 219, 225;
280/304.3; 181/227, 228, 252, 243; 123/195 C,
198 E

(56) **References Cited**

U.S. PATENT DOCUMENTS

5,966,933 A * 10/1999 Ishihara et al. 60/322

D463,328 S * 9/2002 Sawabe D12/126

* cited by examiner

Primary Examiner—Alan P. Douglas

Assistant Examiner—Linda Brooks

(74) *Attorney, Agent, or Firm*—Malloy & Malloy, P.A.

(57) **CLAIM**

The ornamental design for a motorcycle muffler guard, as shown and described.

DESCRIPTION

FIG. 1 is an exterior view of my design in an unsecured orientation;

FIG. 2 is an interior view of my design in an unsecured orientation;

FIG. 3 is a top view of my design in secured orientation;

FIG. 4 is a bottom view of FIG. 3;

FIG. 5 is a front view of FIG. 3; and,

FIG. 6 is a rear view of FIG. 3.

The broken lines shown in the drawing views represent stitching.

1 Claim, 6 Drawing Sheets

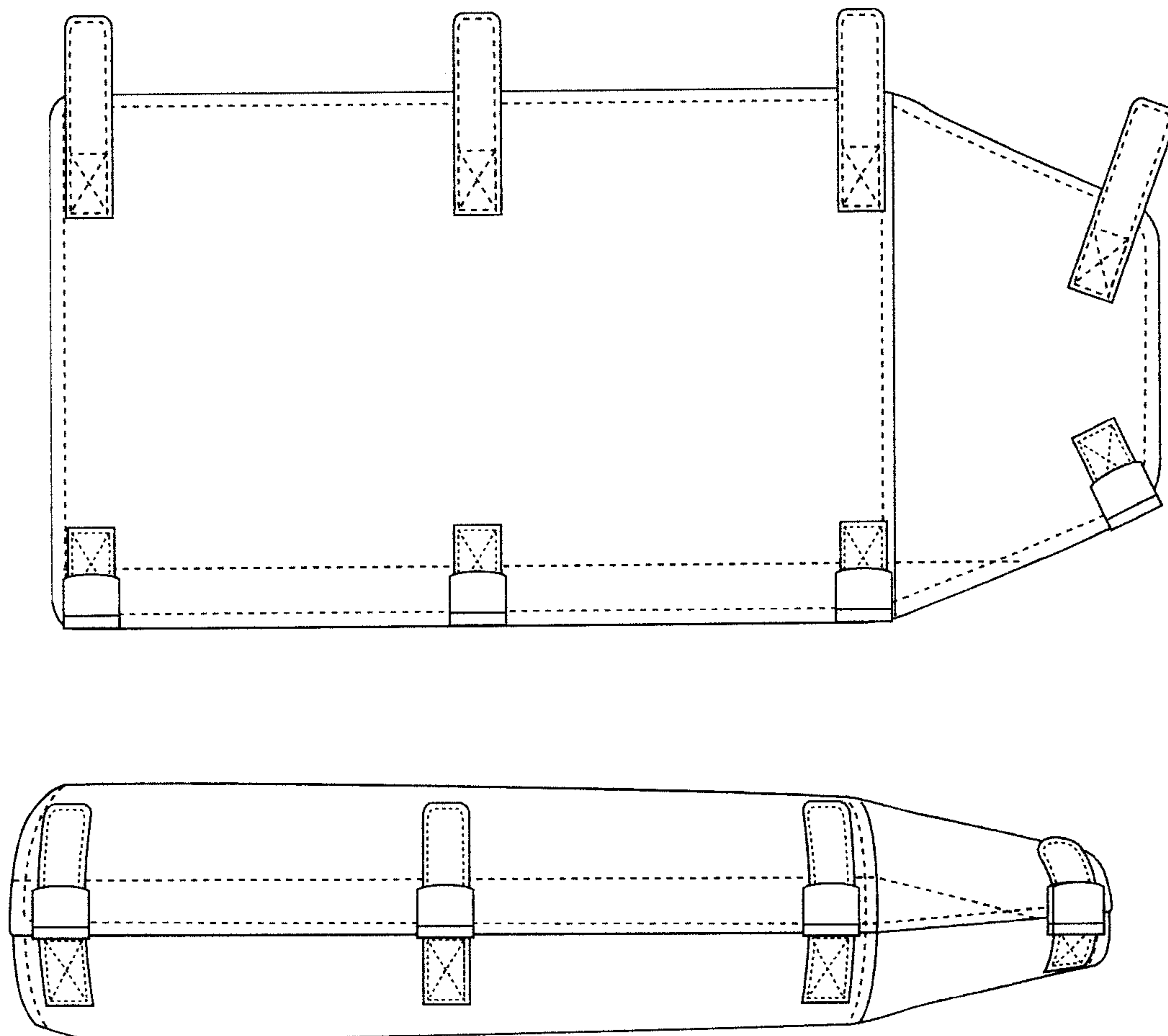


FIG. 1

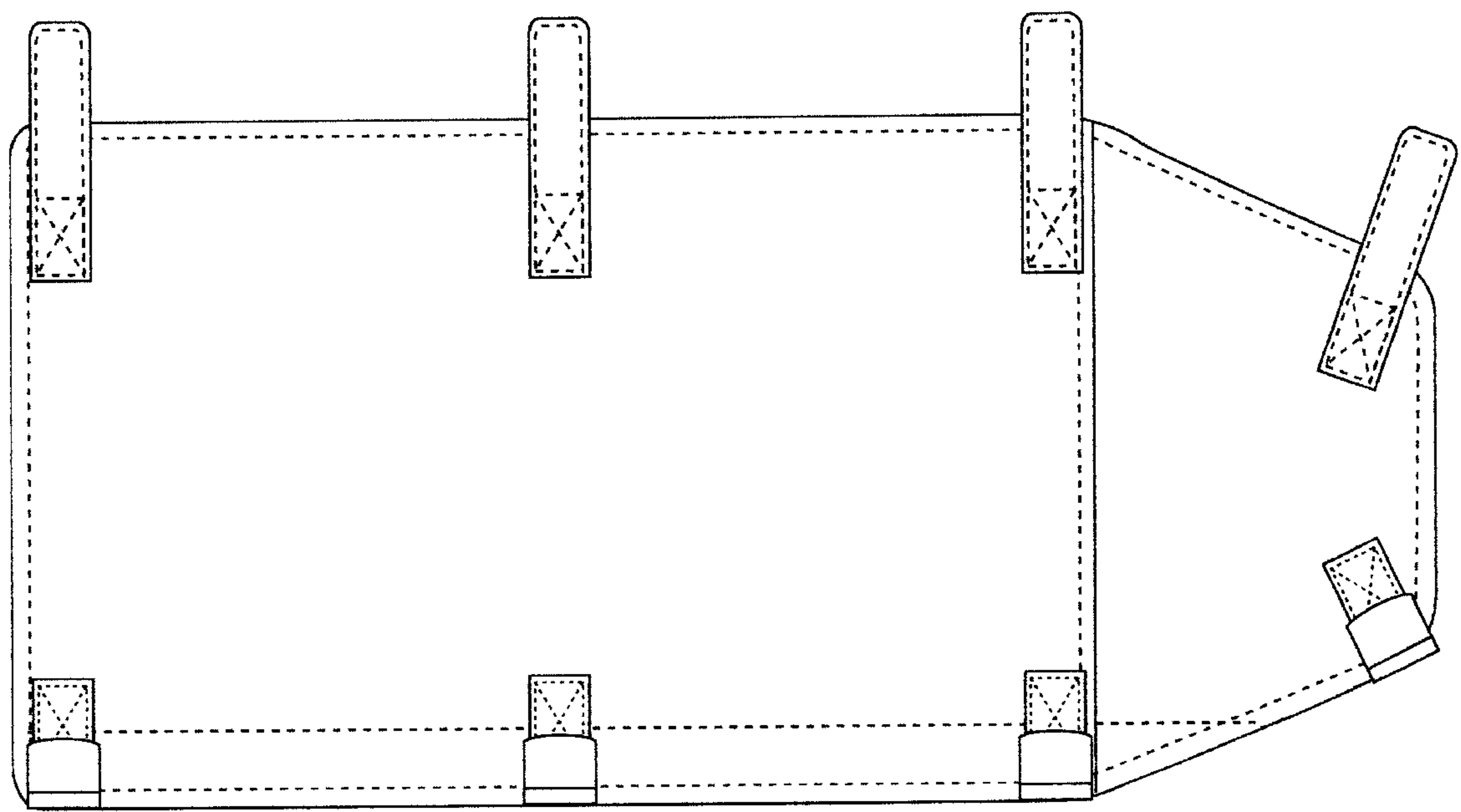


FIG. 2

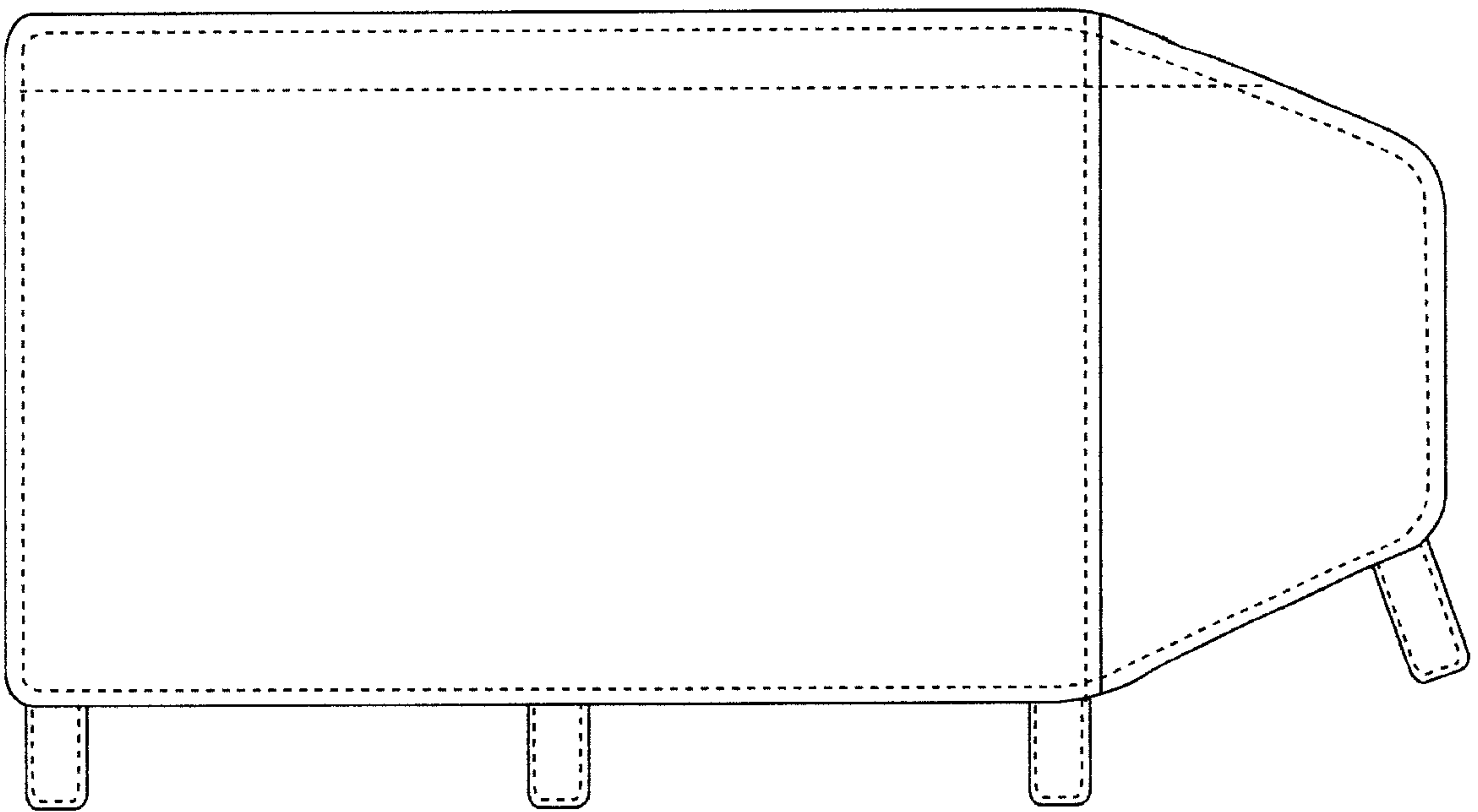


FIG. 3

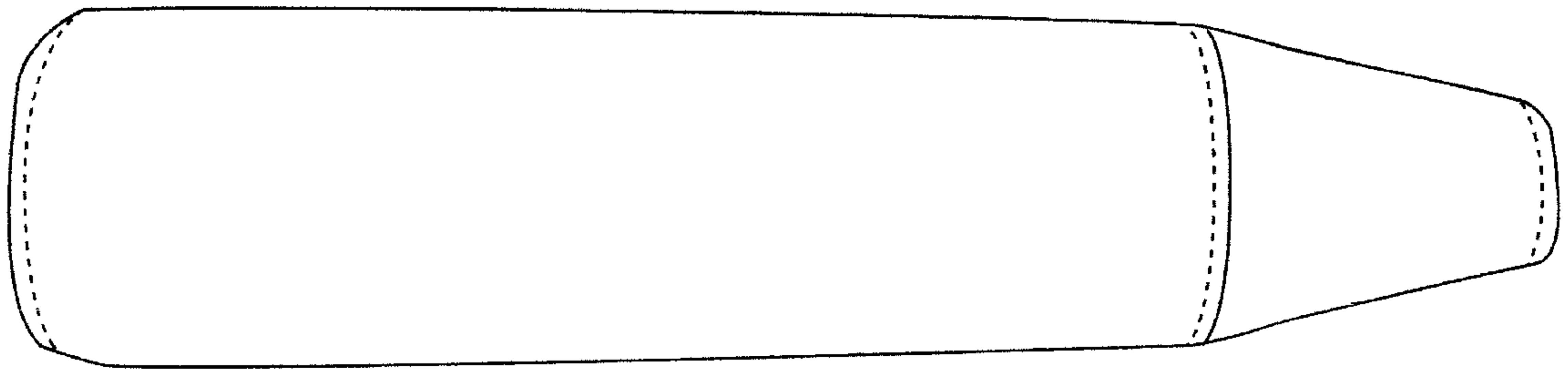


FIG. 4

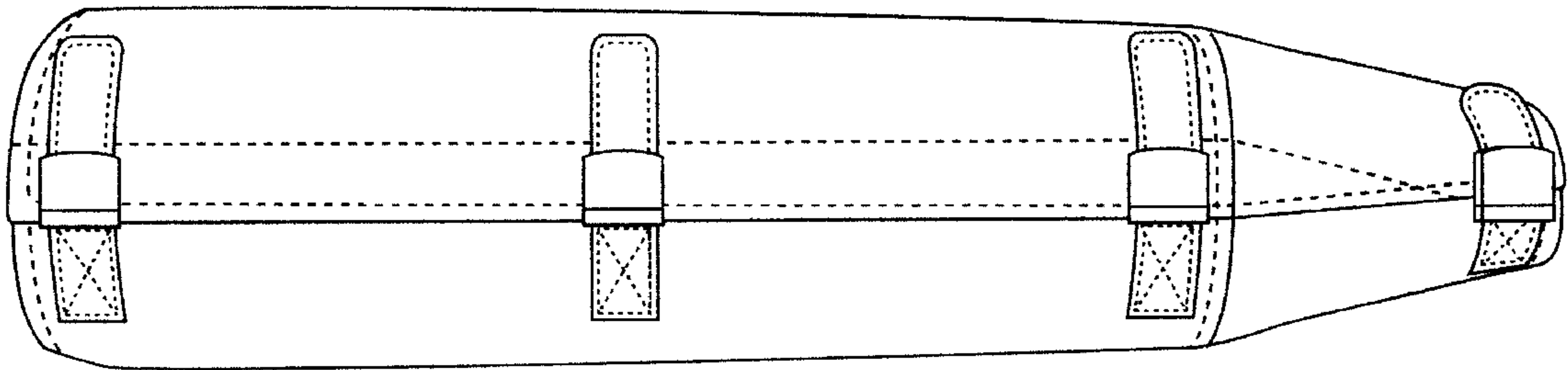


FIG. 5

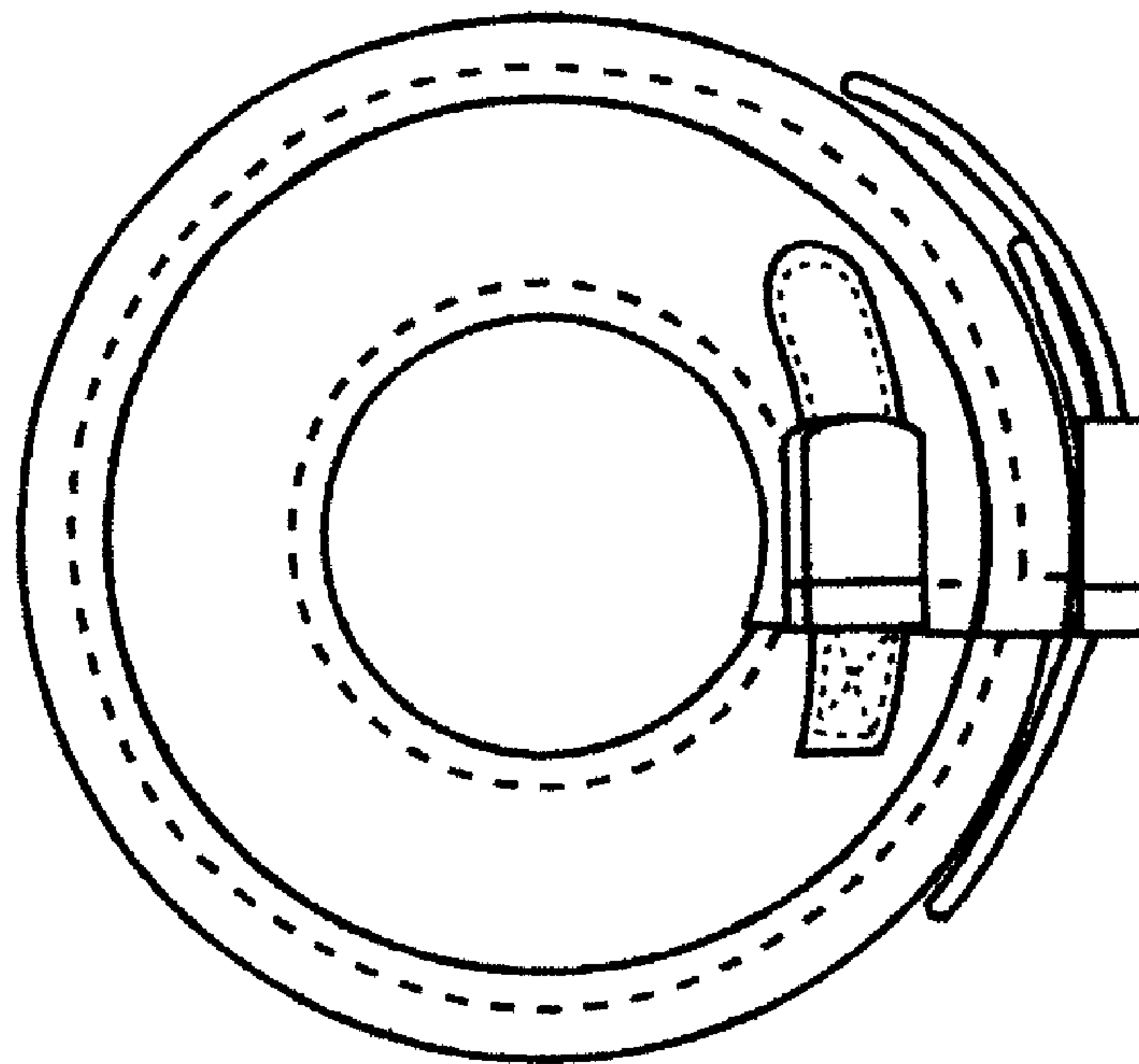


FIG. 6

