



US00D485788S

(12) **United States Design Patent**  
**Guay et al.**

(10) **Patent No.:** **US D485,788 S**  
(45) **Date of Patent:** **\*\* Jan. 27, 2004**

(54) **THREE-WHEELED VEHICLE**  
(75) Inventors: **Etienne Guay**, St-Bruno (CA);  
**Guillaume Longpré**, Brossard (CA);  
**Martin Aubé**, St-Bruno-de-Montarville  
(CA)

JP 64-28024 1/1989  
JP 8-25501 8/1989  
JP 1-229787 9/1989  
JP 2-254085 10/1990  
JP 2864293 8/1992  
JP 7-81651 3/1995

**OTHER PUBLICATIONS**

(73) Assignee: **Bombardier Inc.**, Valcourt (CA)  
(\*\*) Term: **14 Years**

Cycle Magazine, Dec., 1984, pp. 61-81.  
Autoweek Magazine, Jul. 9, 2001, p. 60.

(List continued on next page.)

(21) Appl. No.: **29/156,028**  
(22) Filed: **Feb. 23, 2002**

*Primary Examiner*—Pamela Burgess  
*Assistant Examiner*—Linda Brooks  
(74) *Attorney, Agent, or Firm*—Pillsbury Winthrop LLP

(51) **LOC (7) Cl.** ..... **12-11**  
(52) **U.S. Cl.** ..... **D12/107**  
(58) **Field of Search** ..... D12/85, 107, 87,  
D12/88, 110, 112; 180/210, 215, 217

(57) **CLAIM**

The ornamental design for a three-wheeled vehicle, as shown and described.

(56) **References Cited**

**DESCRIPTION**

**U.S. PATENT DOCUMENTS**

3,666,035 A 5/1972 Dudouyt  
4,020,914 A 5/1977 Trautwein

(List continued on next page.)

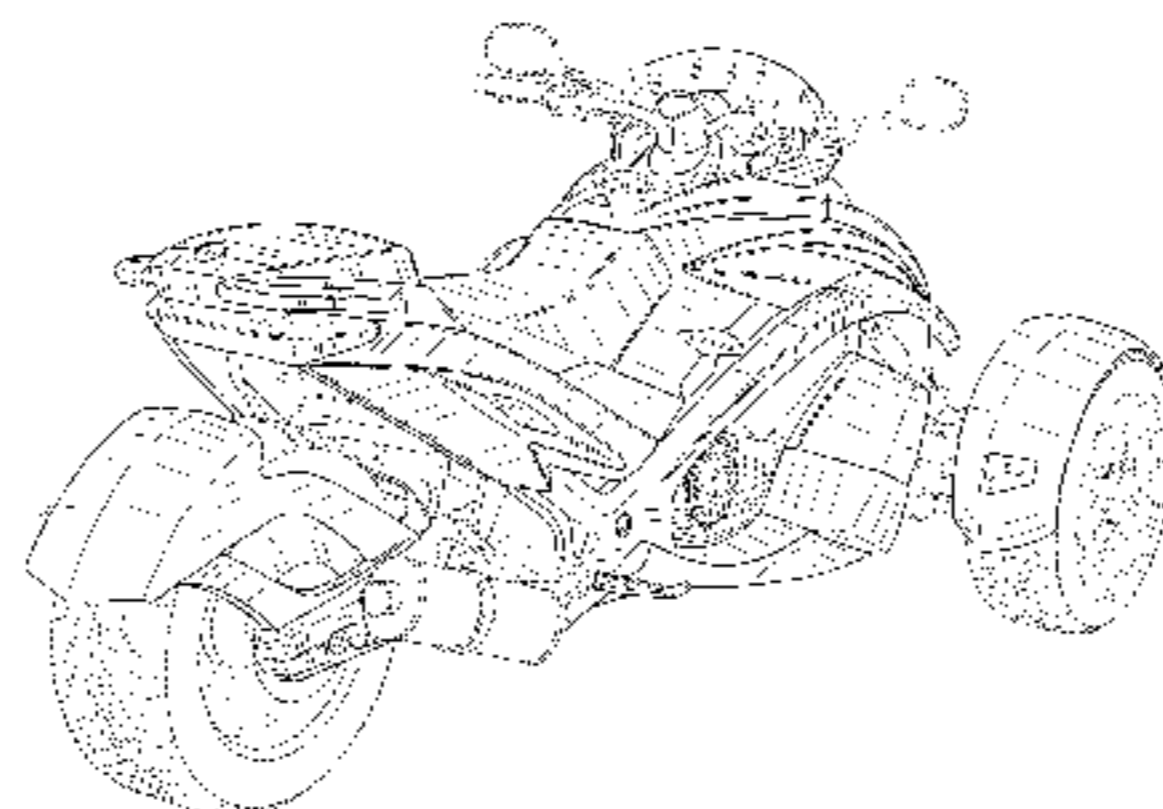
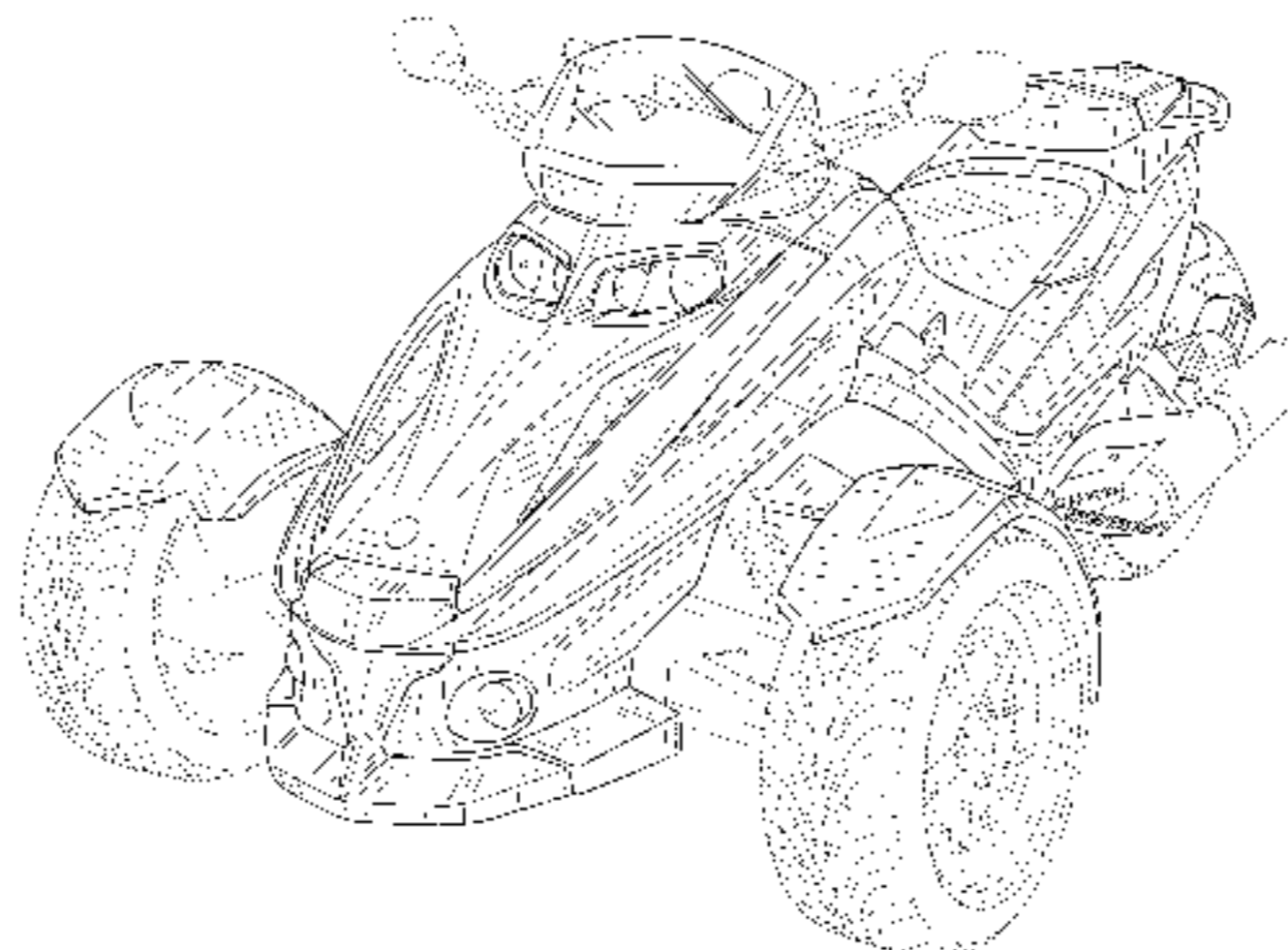
**FOREIGN PATENT DOCUMENTS**

JP 41-15969 9/1966  
JP 61-32196 3/1980  
JP 1-27910 4/1983  
JP 63-25996 10/1983  
JP 5-43553 4/1984  
JP 5-43554 4/1984  
JP 59-114183 7/1984  
JP 59-149874 8/1984  
JP 59-149879 8/1984  
JP 5-7236 6/1985  
JP 60-116572 6/1985  
JP 60-213584 10/1985  
JP 4-19072 4/1986  
JP 61-169382 7/1986  
JP 61-178281 8/1986  
JP 6-455 10/1986  
JP 2-27700 2/1987  
JP 4-16792 2/1987  
JP 63-38032 2/1988

FIG. 1 is a front elevational view of the three-wheeled vehicle of our design;  
FIG. 2 is a front perspective view thereof;  
FIG. 3 is a left front elevational view thereof;  
FIG. 4 is a left front perspective view thereof;  
FIG. 5 is a left side elevational view thereof;  
FIG. 6 is a left side perspective view thereof;  
FIG. 7 is a left rear elevational view thereof;  
FIG. 8 is a left rear perspective view thereof;  
FIG. 9 is a rear elevational view thereof;  
FIG. 10 is a rear perspective view thereof;  
FIG. 11 is a right rear elevational view thereof;  
FIG. 12 is a right rear perspective view thereof;  
FIG. 13 is a right side elevational view thereof;  
FIG. 14 is a right side perspective view thereof;  
FIG. 15 is a right front elevational view thereof;  
FIG. 16 is a right front perspective view thereof; and,  
FIG. 17 is a top view thereof.

Throughout the figures, the broken lines showing structure are for illustrative purposes only and form no part of claimed design.

**1 Claim, 17 Drawing Sheets**



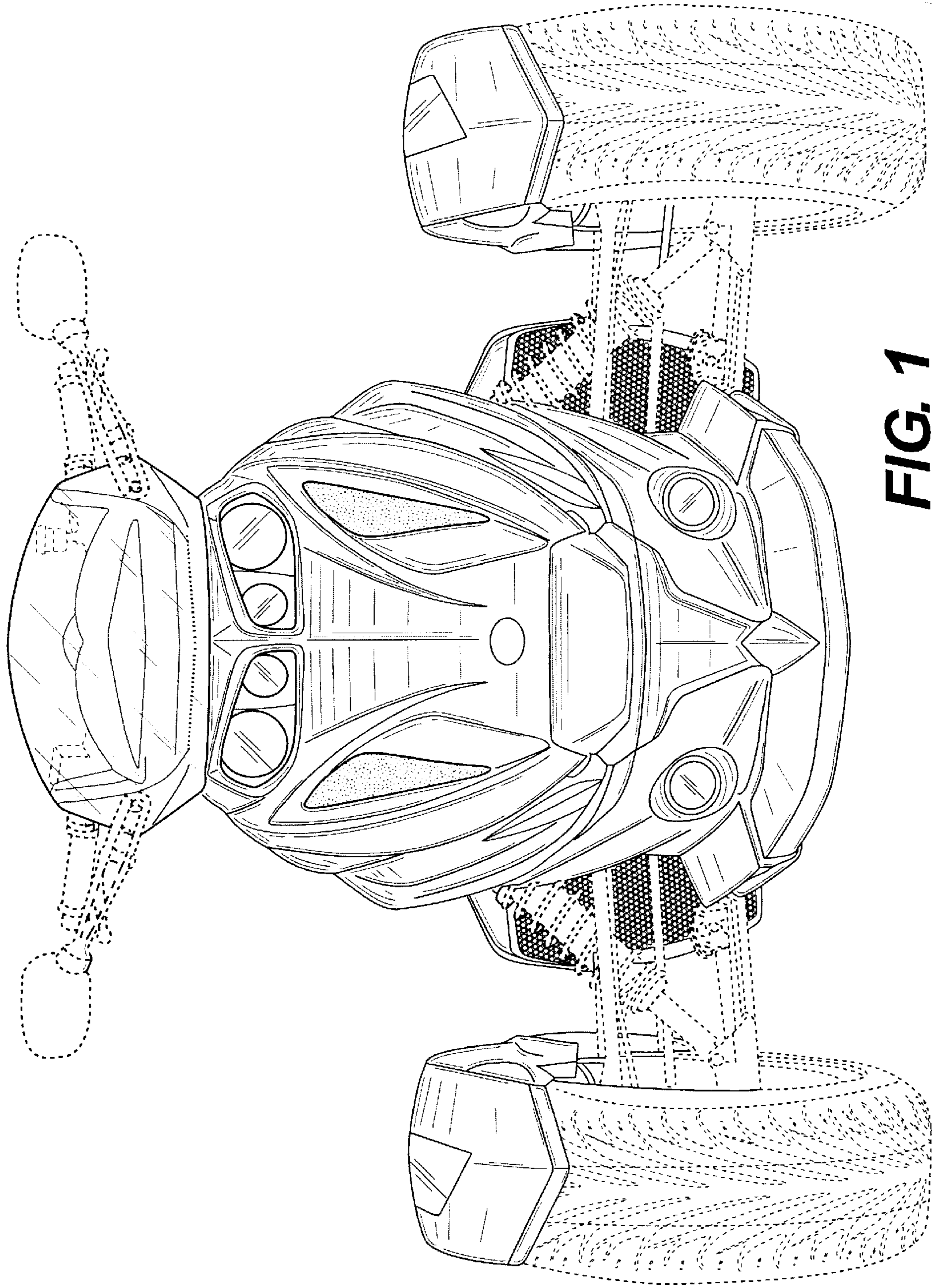
## U.S. PATENT DOCUMENTS

4,022,484 A 5/1977 Davis  
 4,058,181 A 11/1977 Buell  
 4,072,325 A 2/1978 Bright et al.  
 4,087,109 A 5/1978 Davis  
 4,088,199 A 5/1978 Trautwein  
 4,351,410 A 9/1982 Townsend  
 4,360,224 A 11/1982 Sato et al.  
 4,505,492 A 3/1985 Tsunoda  
 4,506,753 A 3/1985 Wood, Jr.  
 4,546,997 A 10/1985 Smyers  
 D283,113 S 3/1986 Stollery  
 4,600,216 A 7/1986 Burkholder  
 4,606,429 A 8/1986 Kurata  
 4,624,469 A 11/1986 Bourne, Jr.  
 4,630,702 A 12/1986 Irimajiri et al.  
 4,641,854 A 2/1987 Masuda et al.  
 4,650,027 A 3/1987 de Cortanze  
 4,653,604 A 3/1987 de Cortanze  
 4,662,468 A 5/1987 Ethier  
 4,690,235 A 9/1987 Miyakoshi  
 4,697,663 A 10/1987 Trautwein  
 4,740,004 A 4/1988 McMullen  
 4,781,264 A 11/1988 Matsuzaki et al.  
 4,787,470 A 11/1988 Badsey  
 4,823,895 A 4/1989 Kimball  
 4,875,536 A 10/1989 Saur et al.  
 4,913,253 A 4/1990 Bowling  
 5,036,937 A 8/1991 Tanaka  
 5,236,060 A 8/1993 Huber  
 5,248,011 A 9/1993 Richards  
 5,249,636 A 10/1993 Kruse et al.  
 5,413,187 A 5/1995 Kruse et al.  
 5,533,325 A 7/1996 Sallstrom et al.  
 5,544,906 A 8/1996 Clapper  
 5,564,517 A 10/1996 Levasseur  
 5,697,452 A 12/1997 Link  
 5,762,351 A 6/1998 SooHoo  
 5,765,846 A 6/1998 Braun  
 5,816,357 A 10/1998 Camlin  
 5,860,665 A 1/1999 Giles  
 5,890,558 A 4/1999 Keegan  
 5,947,222 A 9/1999 Yamaoka et al.  
 5,960,901 A 10/1999 Hanagan  
 5,960,902 A 10/1999 Mancini et al.  
 6,006,847 A 12/1999 Knight  
 6,015,022 A 1/2000 Thuliez

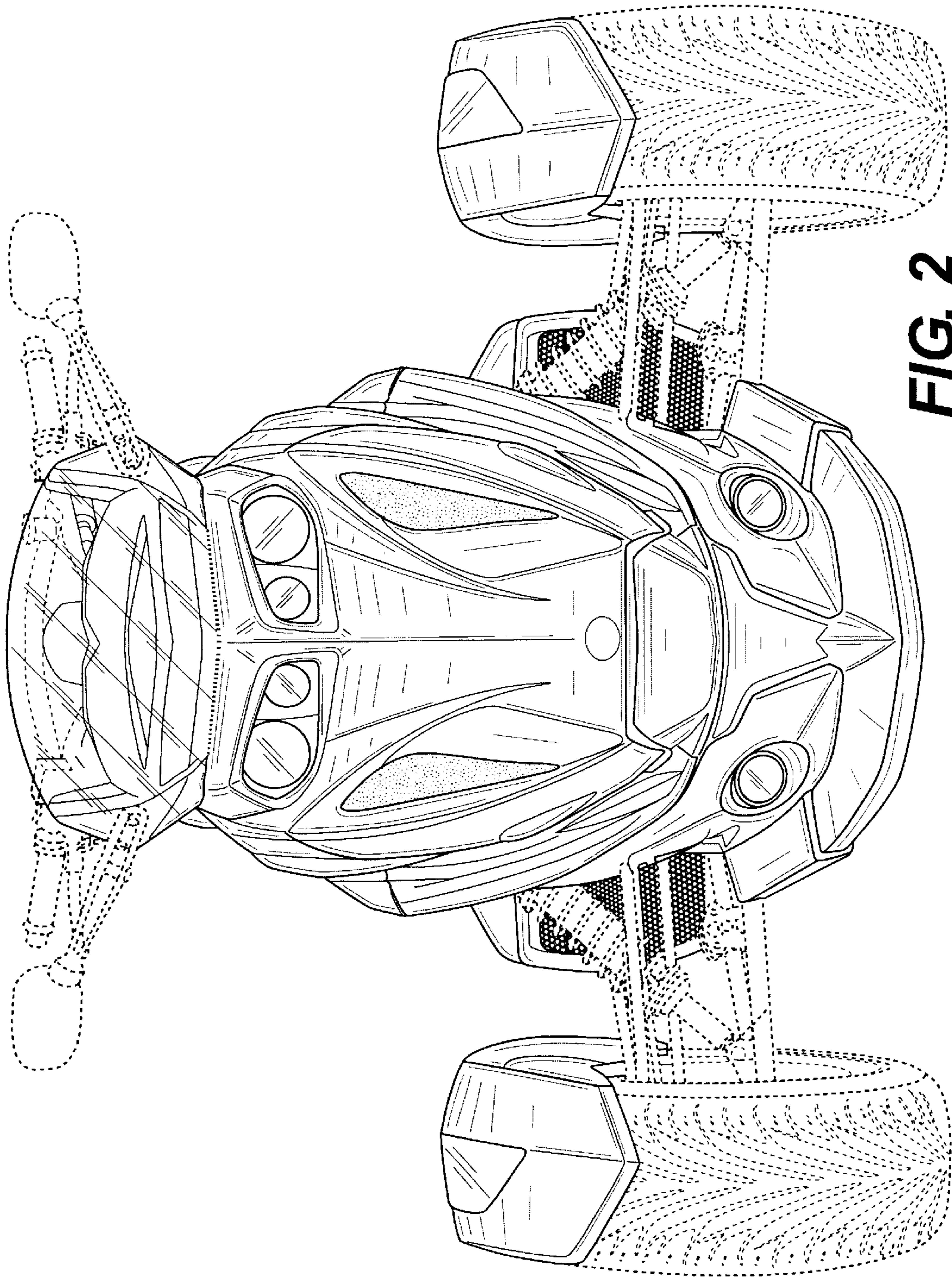
6,024,185 A 2/2000 Okada et al.  
 6,056,307 A 5/2000 Busby et al.  
 6,076,845 A 6/2000 Lawwill et al.  
 6,161,858 A 12/2000 Tseng  
 6,206,397 B1 3/2001 Klassen et al.  
 6,206,398 B1 3/2001 Yanai et al.  
 6,244,610 B1 6/2001 Kramer-Massow  
 6,253,868 B1 7/2001 Horii et al.  
 6,286,619 B1 9/2001 Uchiyama et al.  
 D449,018 S 10/2001 Musser

## OTHER PUBLICATIONS

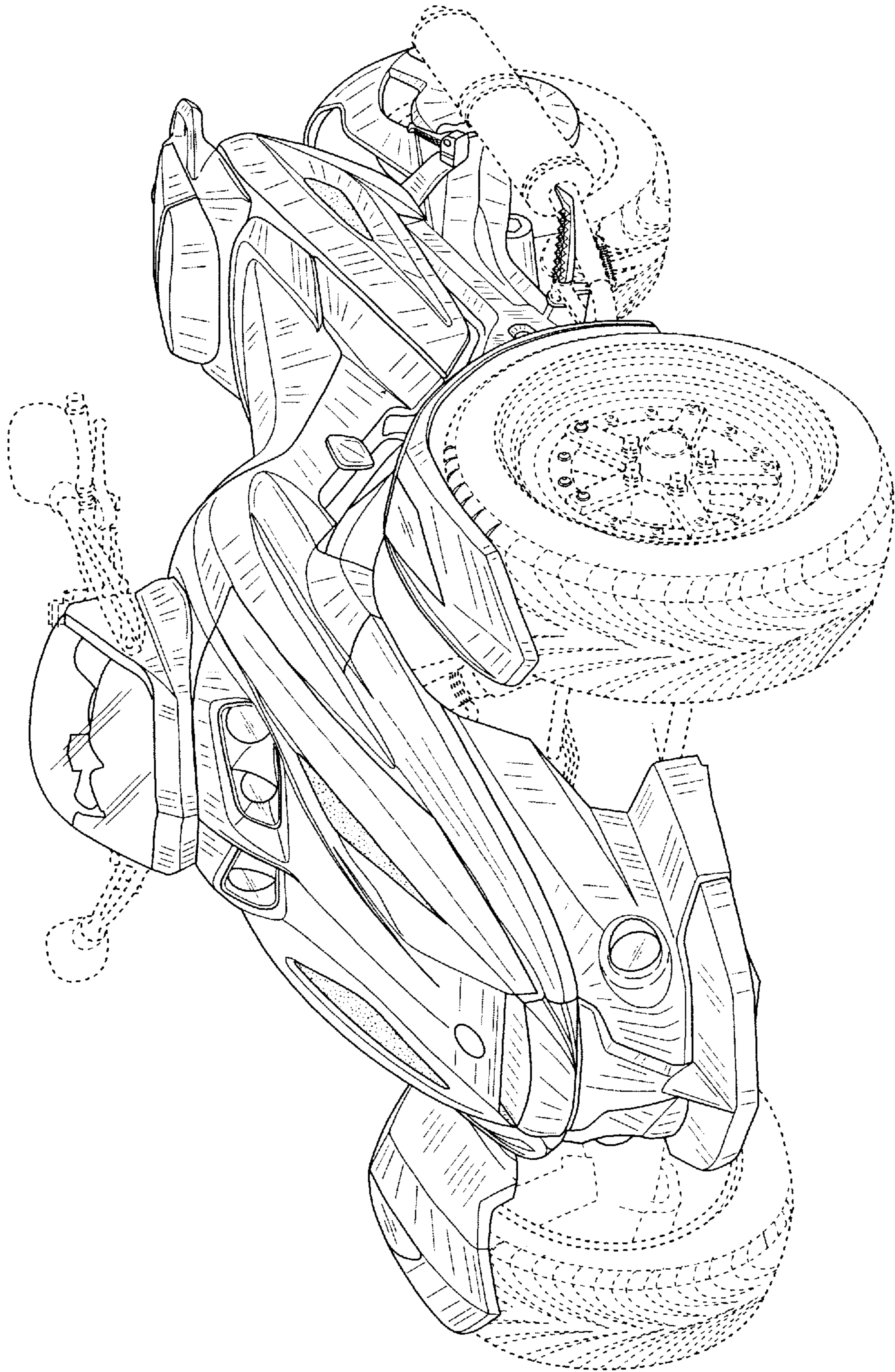
[http://www.ctv.es/USERS/softtech/motos/Trike/BMW\\_C1.jpg](http://www.ctv.es/USERS/softtech/motos/Trike/BMW_C1.jpg), Jul. 6, 2001.  
<http://www.euronet.nl/~bakbeest/jzr.html>, Jul. 3, 2001.  
[http://www.maxmatic.com/ttw\\_desn.htm](http://www.maxmatic.com/ttw_desn.htm), Jul. 6, 2001.  
<http://www.euronet.nl/~bakbeest/scorpion.html>, Jul. 3, 2001.  
<http://www.chinajuli.com/ehm/zsanlun.htm>, Copyright 2000.  
<http://www.rqriley.com/slalom.html>, Copyright 1999.  
<http://www.rqriley.com/design.html>, Copyright 1998–2001.  
<http://www.rqriley.com/3-wheel.html>, Copyright 1999–2001.  
<http://www.euronet.nl/~bakbeest/triking.html>, Jul. 3, 2001.  
<http://www.geocities.com/MotorCity/Downs/9323/f300.htm>, Copyright 1997–2000.  
<http://www.autodesigndesignmagazine.com/categorie/coceptcar/f300.htm>; Related to Auto & Design Magazine, 1997, No. 106, pp. 57–62.  
<http://www.rqriley.com/images/f300-combo.jpg>, Jul. 3, 2001.  
<http://www.gate.cruzio.com/~seaweb/benzdealer/f300.html>, Jul. 3, 2001.  
<http://www.morgan3w.de>, Copyright 1998–2001.  
<http://freespace.virgin.net/gary.wedge/main.htm>, Jul. 3, 2001.  
<http://vulcain.gme.usherb.ca/cyclone.html>, Jul. 3, 2001.  
<http://www.go-t-rex.com/>, Jul. 3, 2001.  
<http://www.carver.nl/>, Jul. 3, 2001.  
<http://www.corbinmotors.com/>, Copyright 2002.  
<http://www.messerschmitt.co.uk/>, Jul. 3, 2001.  
<http://www.vmax.co.uk/>, Sep. 4, 2001.



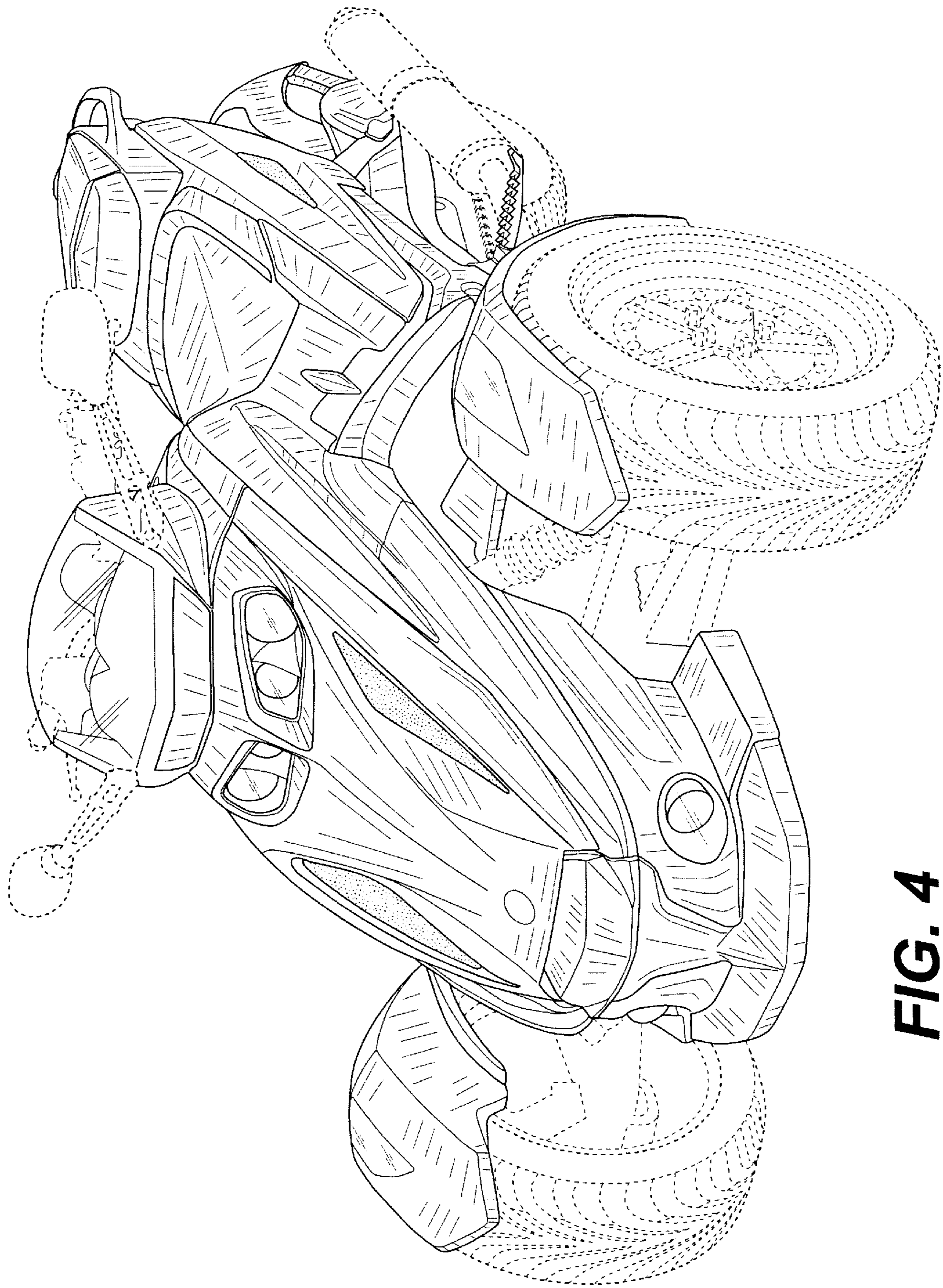
**FIG. 1**



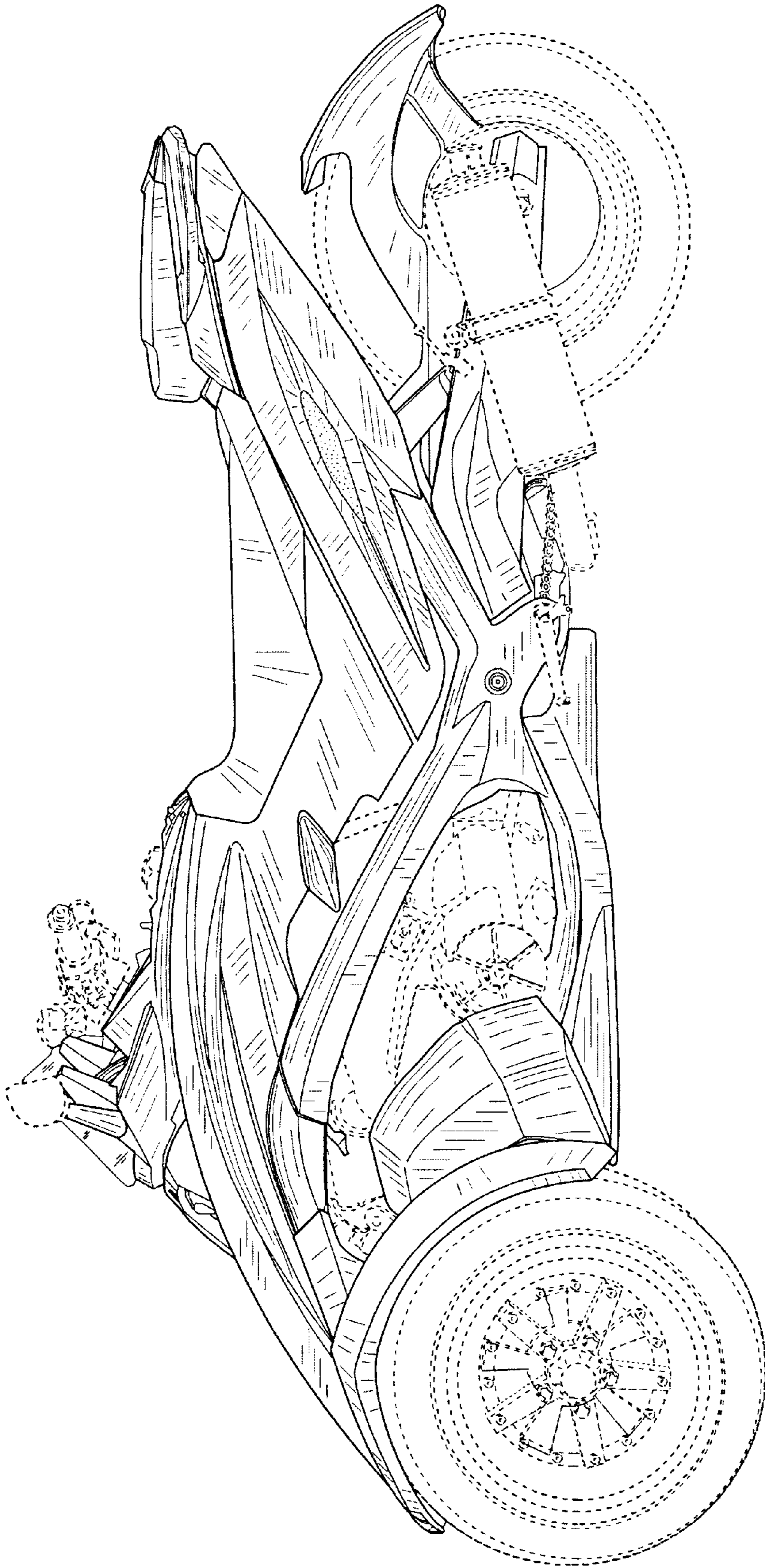
**FIG. 2**



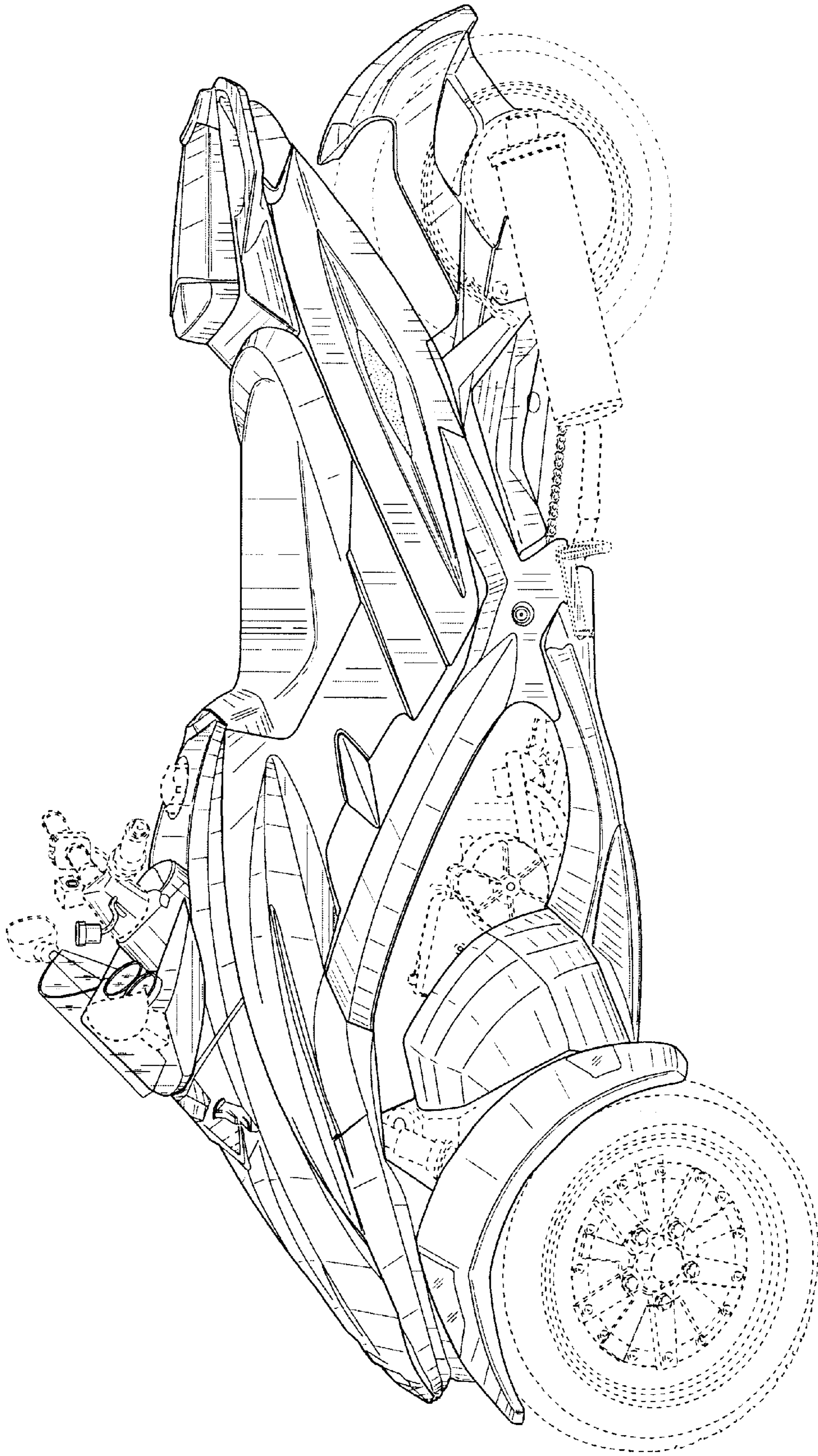
**FIG. 3**



**FIG. 4**

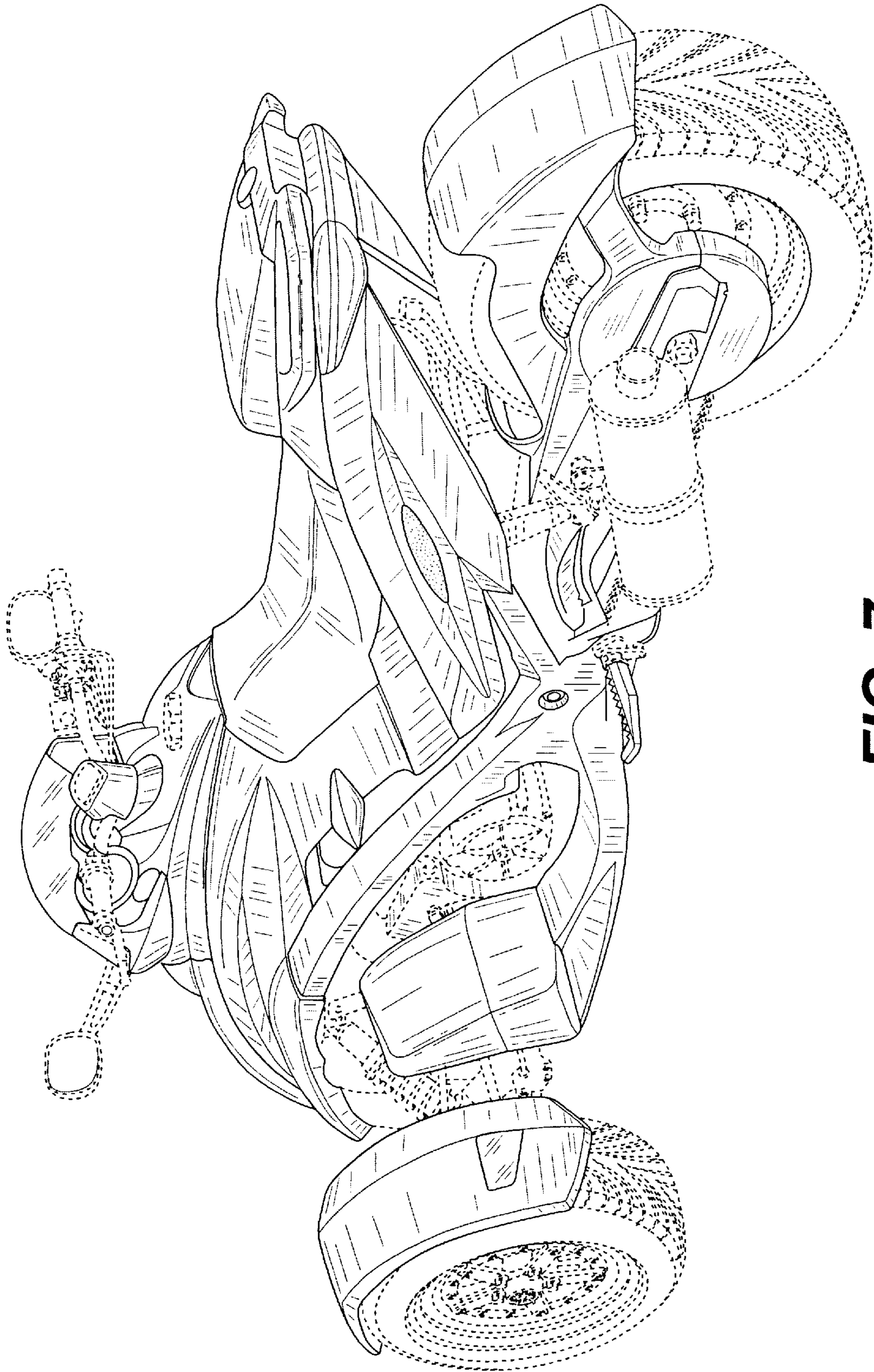


**FIG. 5**

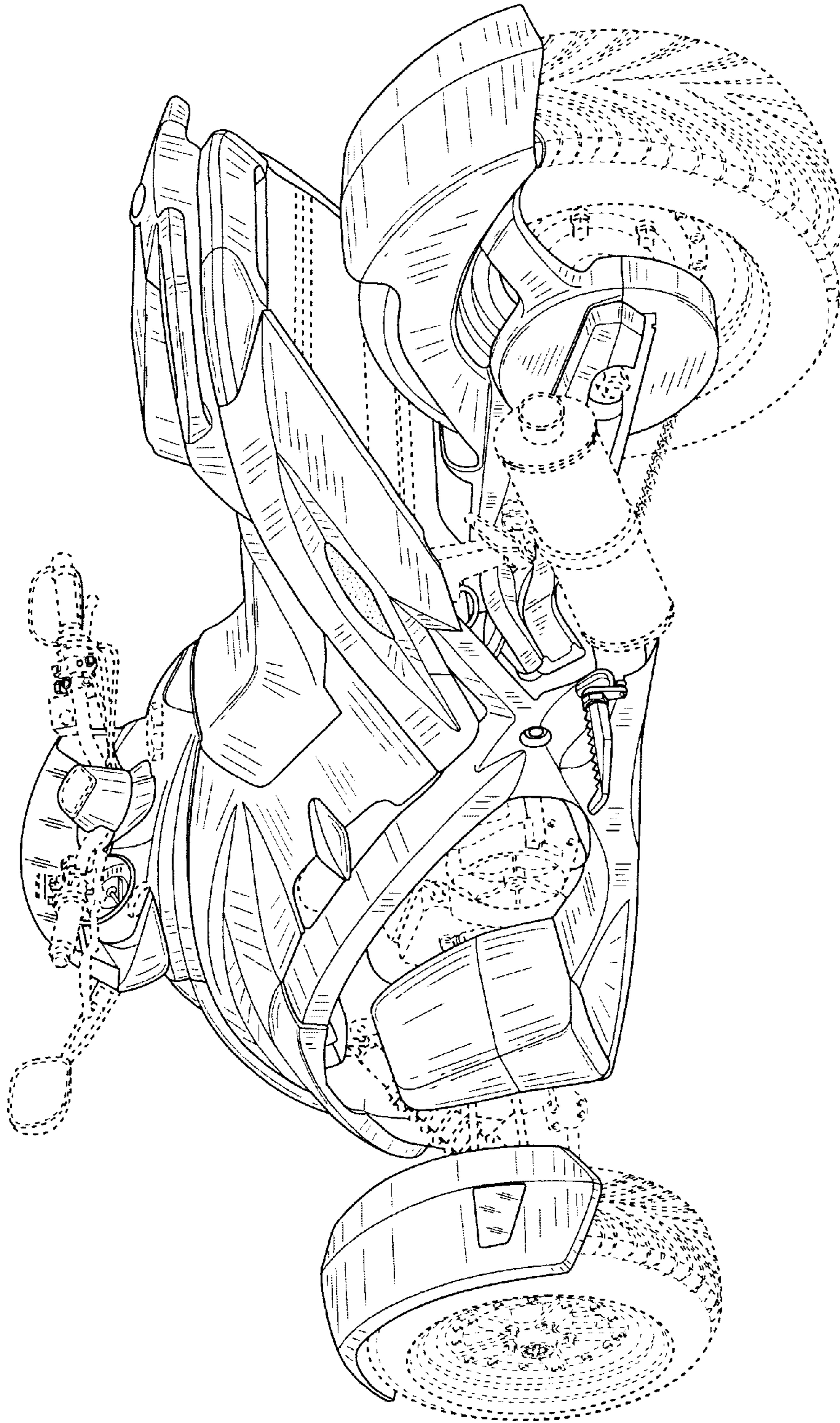


**FIG. 6**

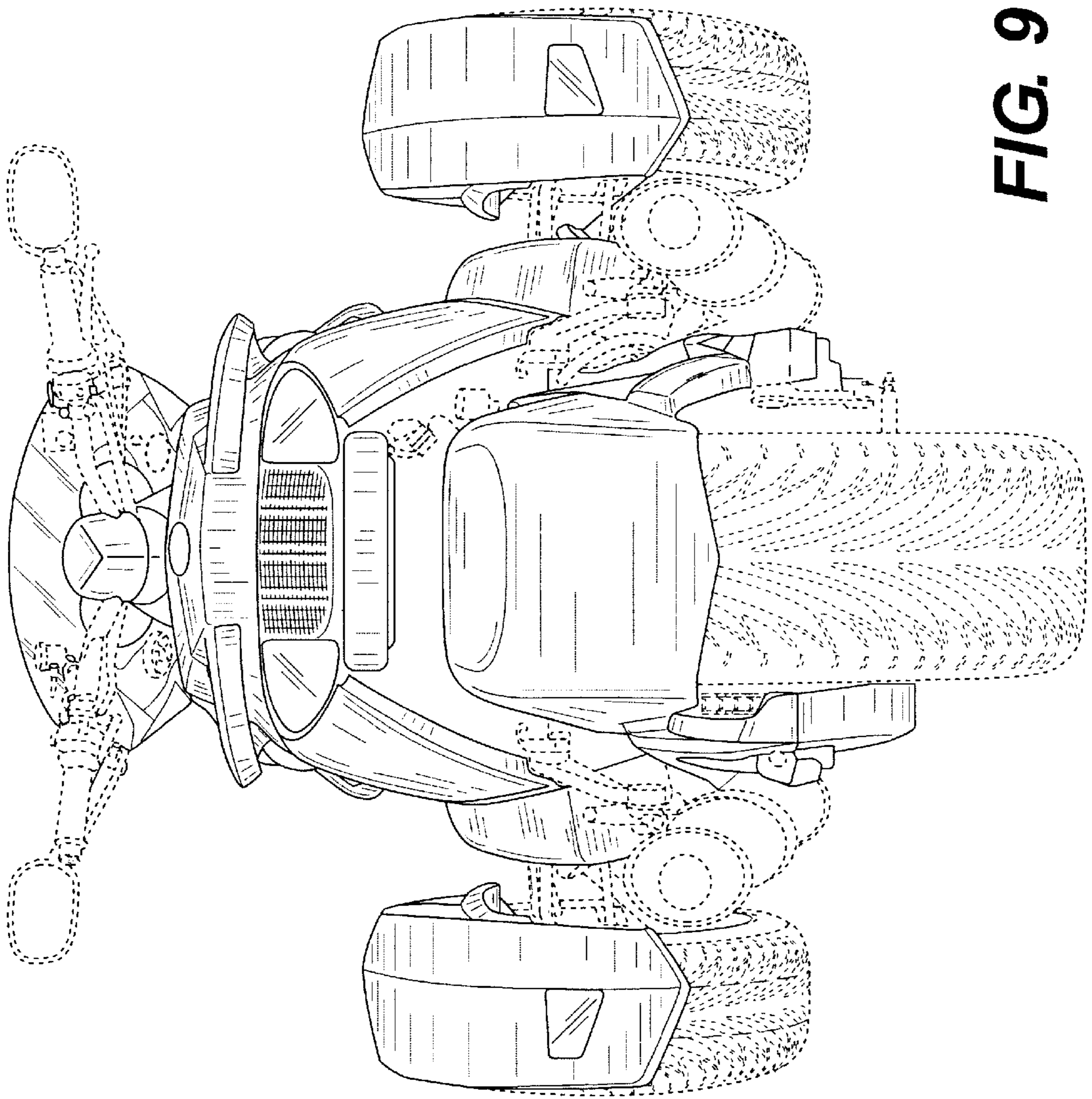




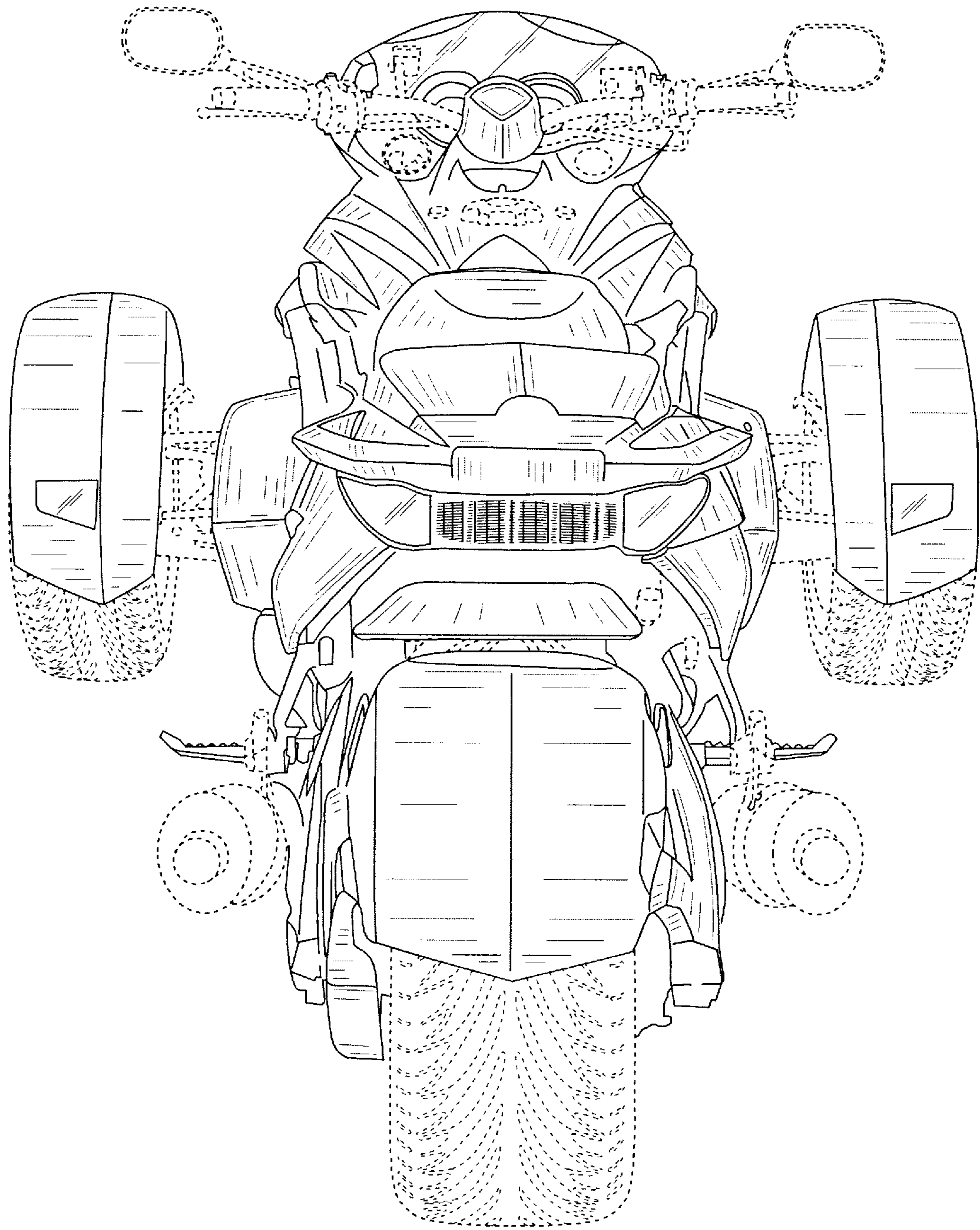
**FIG. 7**



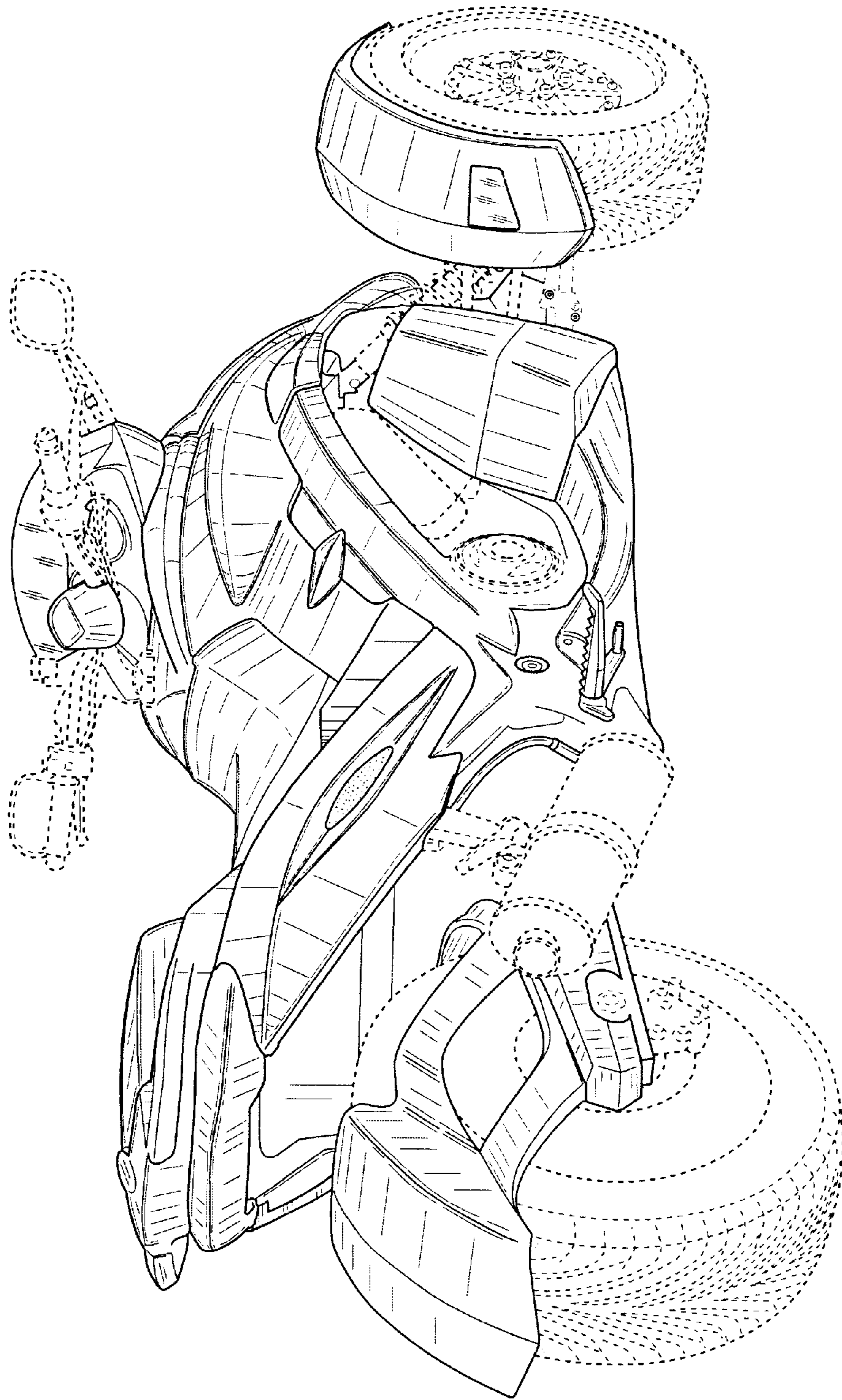
**FIG. 8**



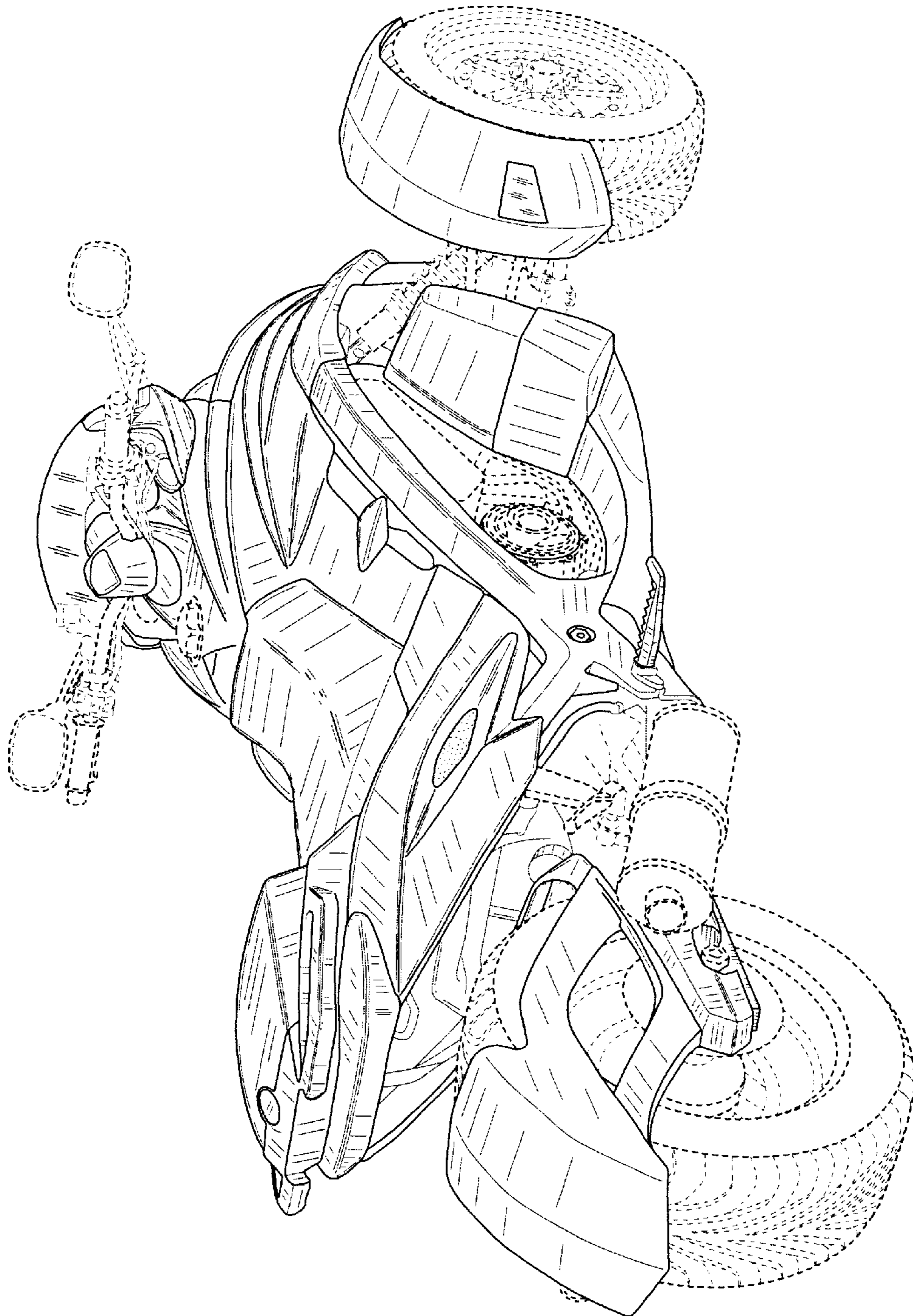
**FIG. 9**



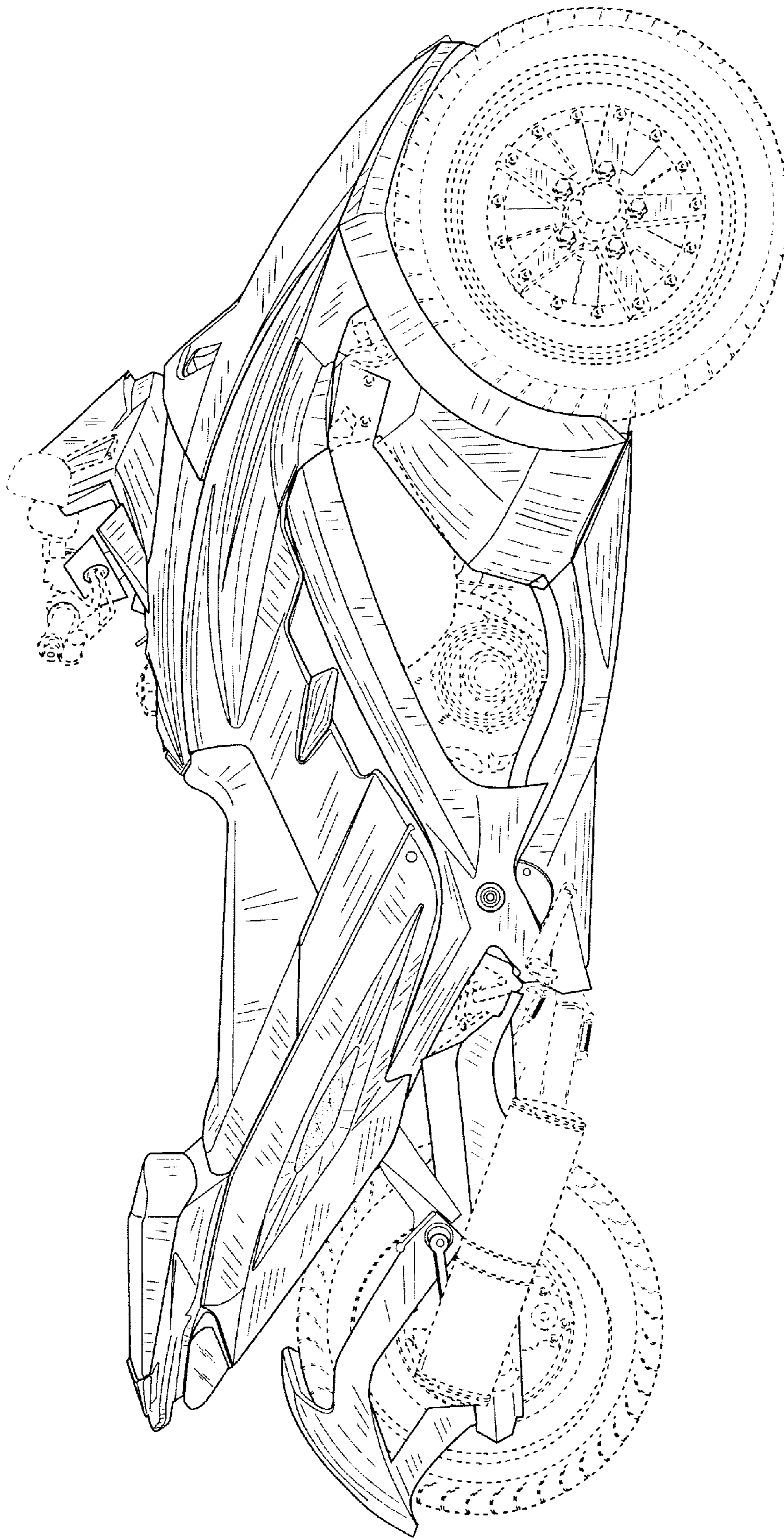
**FIG. 10**



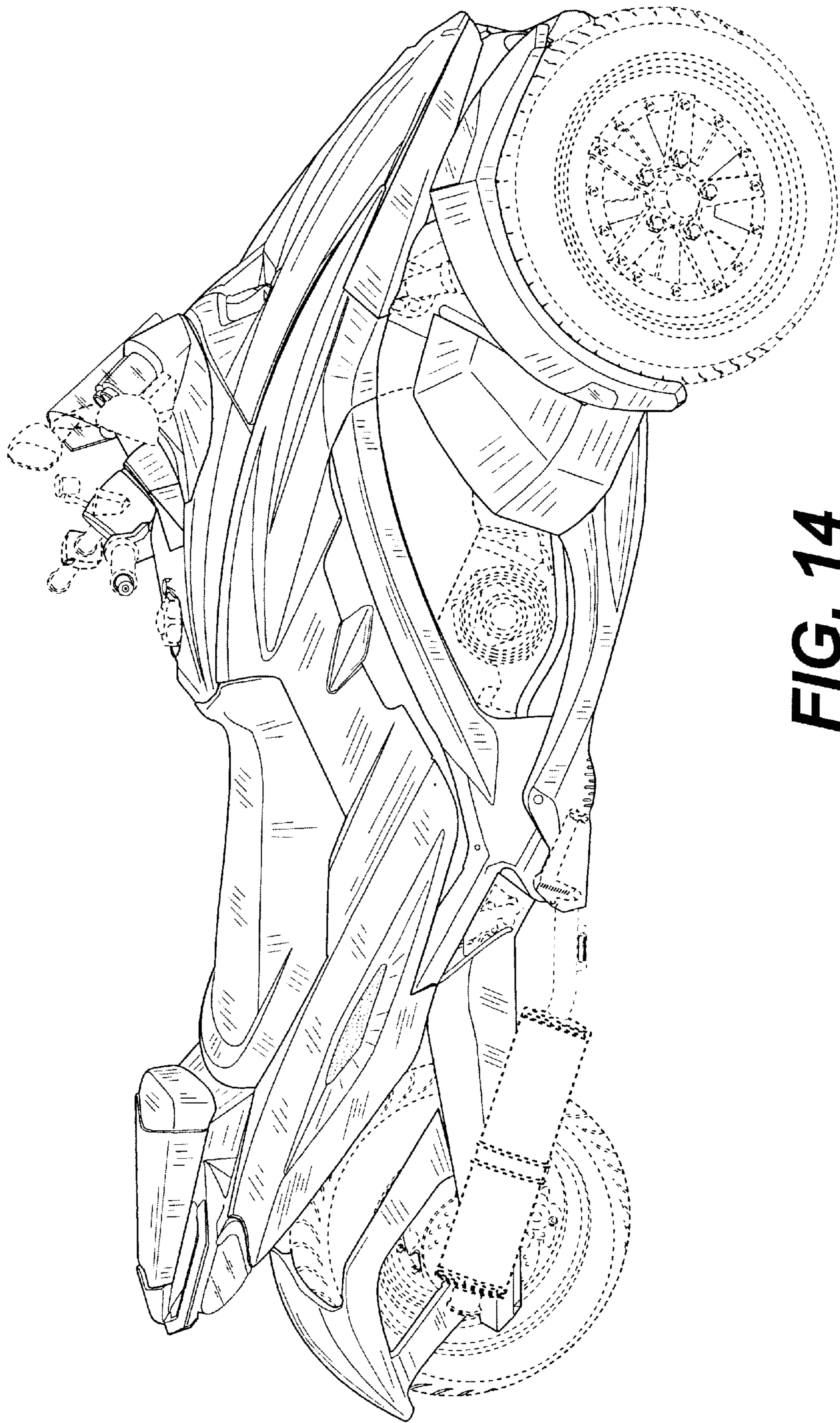
**FIG. 11**



**FIG. 12**

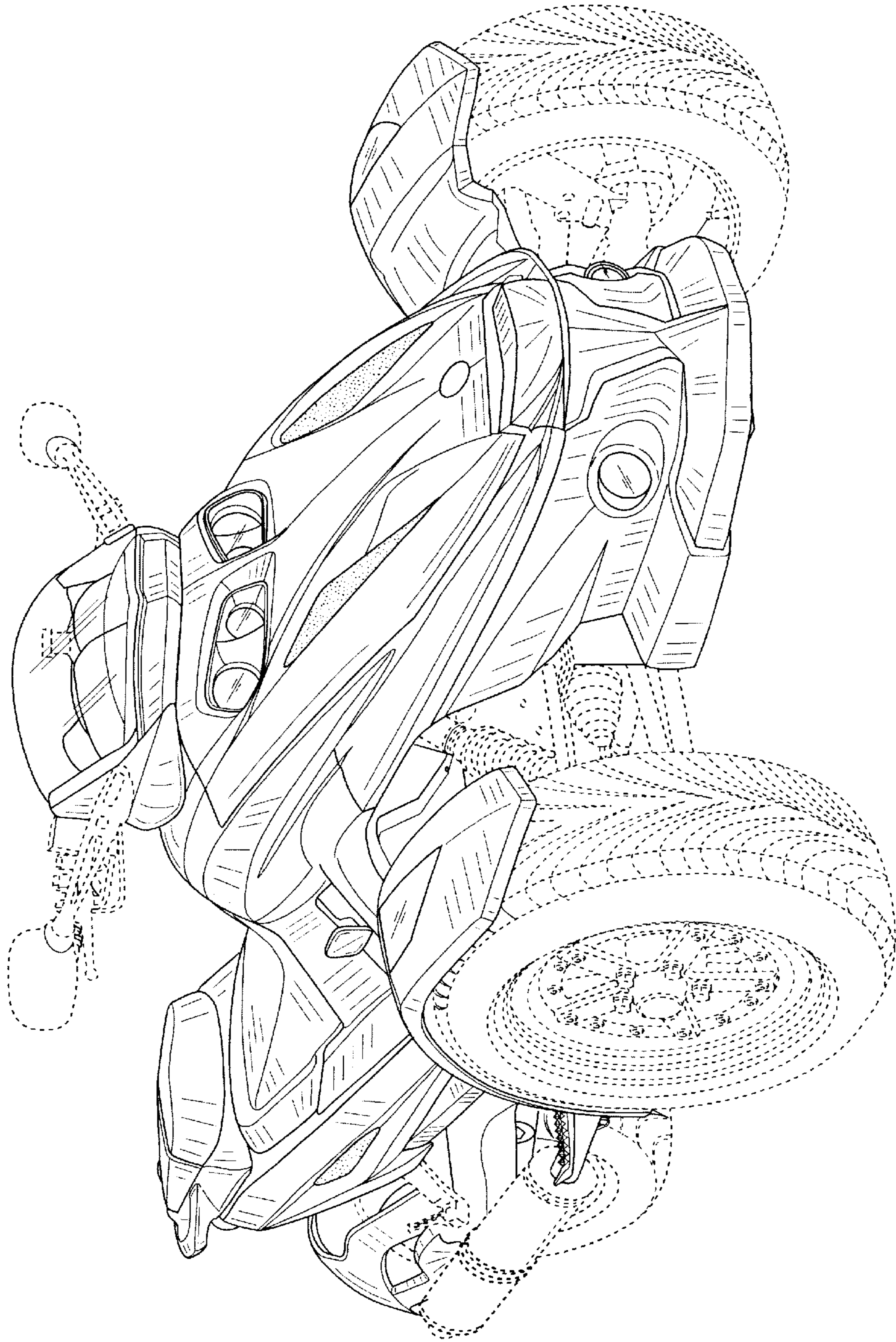


**FIG. 13**

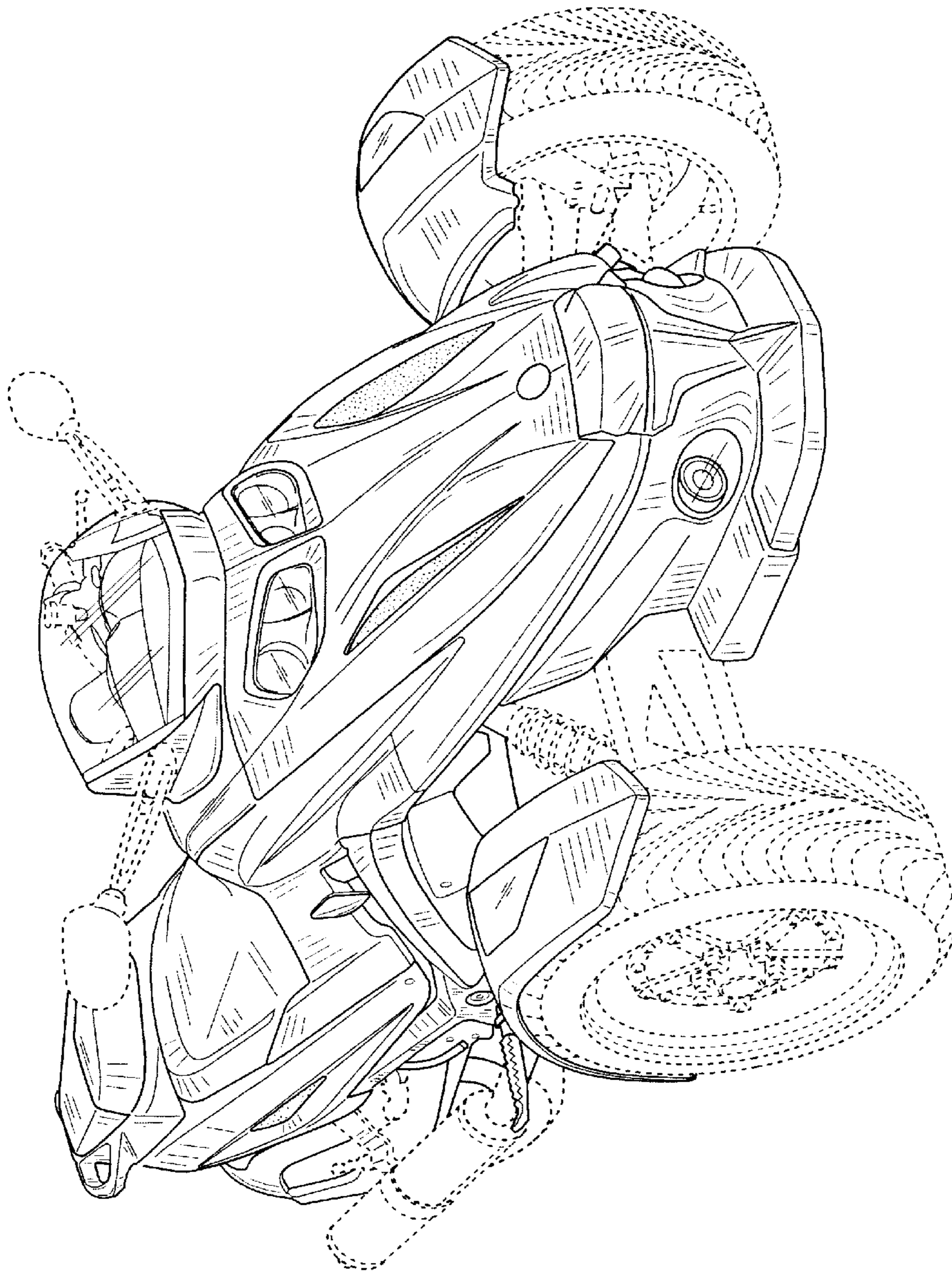


**FIG. 14**

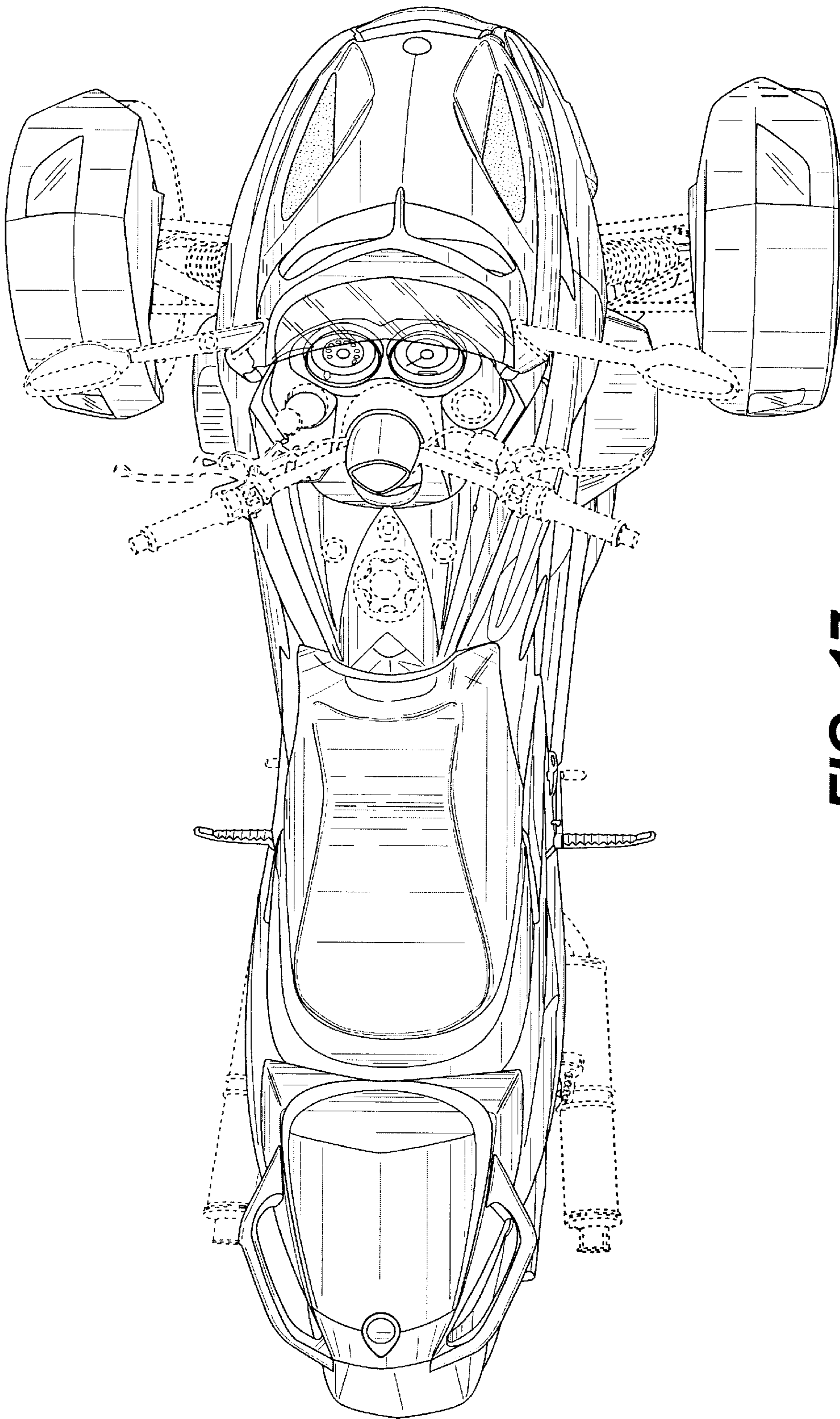




**FIG. 15**



**FIG. 16**



**FIG. 17**