



US00D485784S

(12) **United States Design Patent**  
**Fan**

(10) **Patent No.:** **US D485,784 S**

(45) **Date of Patent:** **\*\* Jan. 27, 2004**

(54) **SELF WATERING TRAY FOR REGULAR PLANT POT**

(76) **Inventor:** **Jianhua Fan**, 5800 Maudina Ave., Apt. C-2, Nashville, TN (US) 37209

(\*\*) **Term:** **14 Years**

(21) **Appl. No.:** **29/174,275**

(22) **Filed:** **Jan. 15, 2003**

(51) **LOC (7) Cl.** ..... **11-02**

(52) **U.S. Cl.** ..... **D11/143**

(58) **Field of Search** ..... D11/143, 144, D11/148, 152, 153, 154, 155, 156; 47/40, 65.5, 65.6, 65.7, 66.2, 66.6, 67, 68, 71, 79, 80, 81; 206/423; 220/23.6; 248/27.8

(56) **References Cited**

**U.S. PATENT DOCUMENTS**

1,391,353	A	*	9/1921	Wells	.....	47/71
D250,009	S	*	10/1978	Karotseris	.....	D11/143
4,339,891	A		7/1982	Bassett		
4,991,345	A	*	2/1991	Bloch	.....	47/79
5,094,032	A	*	3/1992	Byland et al.	.....	47/71
5,341,596	A	*	8/1994	Kao	.....	47/79

5,638,638	A	*	6/1997	Moskowitz	.....	47/71
D384,907	S	*	10/1997	Moskowitz	.....	D11/152
D407,043	S	*	3/1999	Kojima et al.	.....	D11/164
D460,021	S	*	7/2002	Fan	.....	D11/152

\* cited by examiner

*Primary Examiner*—Doris V. Coles

*Assistant Examiner*—Mimosa De

(57) **CLAIM**

The ornamental design for a self watering tray for regular plant pot, as shown and described.

**DESCRIPTION**

FIG. 1 is a perspective view of a self watering tray for regular plant pot shown one side cut away for ease of illustration;

FIG. 2 is a cross-sectional view taken along line 2—2 of FIG. 3;

FIG. 3 is a top plan view of FIG. 1;

FIG. 4 is a bottom plan view of FIG. 1;

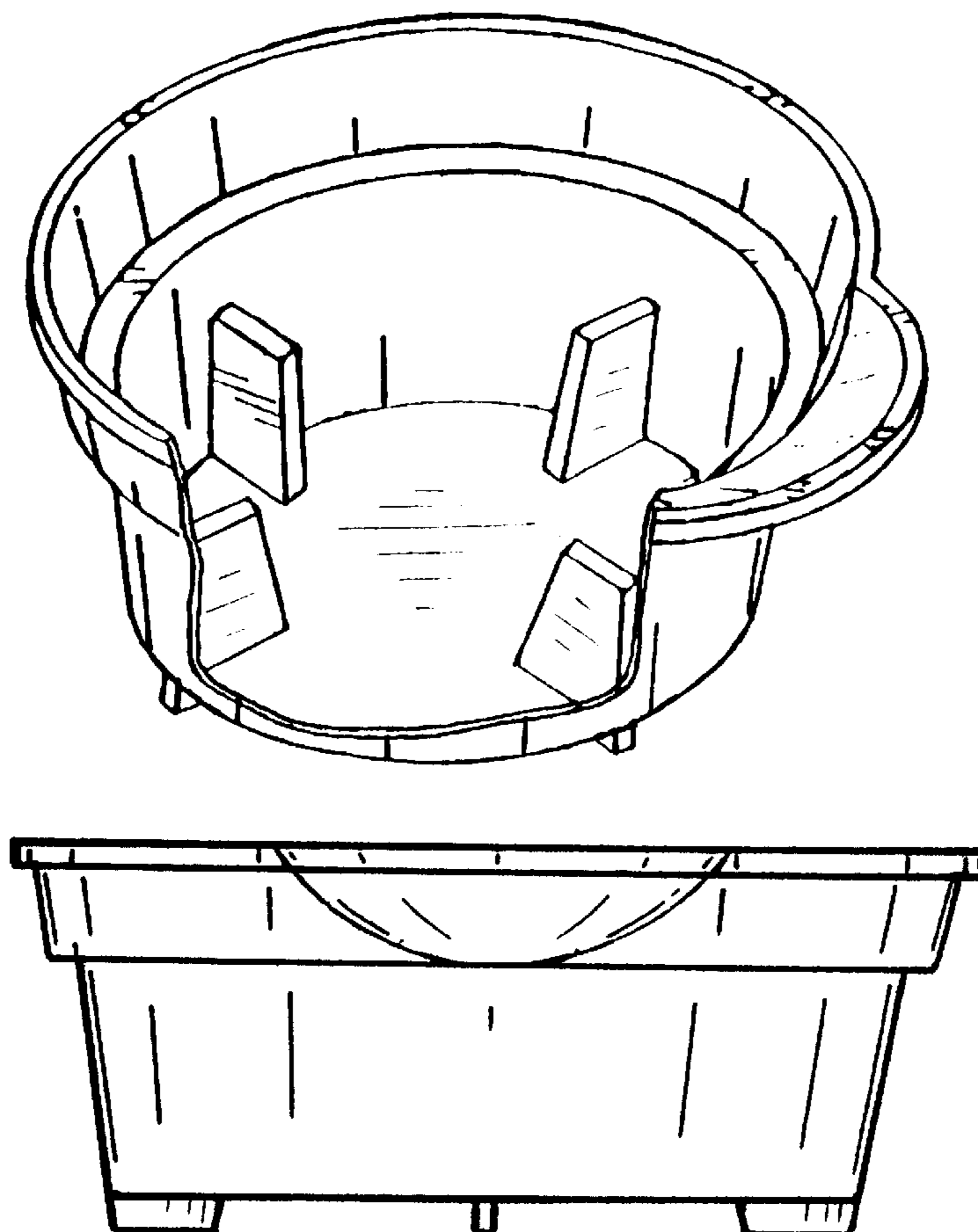
FIG. 5 is a right side plan view of FIG. 1;

FIG. 6 is a left side plan view of FIG. 1;

FIG. 7 is a front side plan view of FIG. 1; and,

FIG. 8 is a back side plan view of FIG. 1.

**1 Claim, 4 Drawing Sheets**



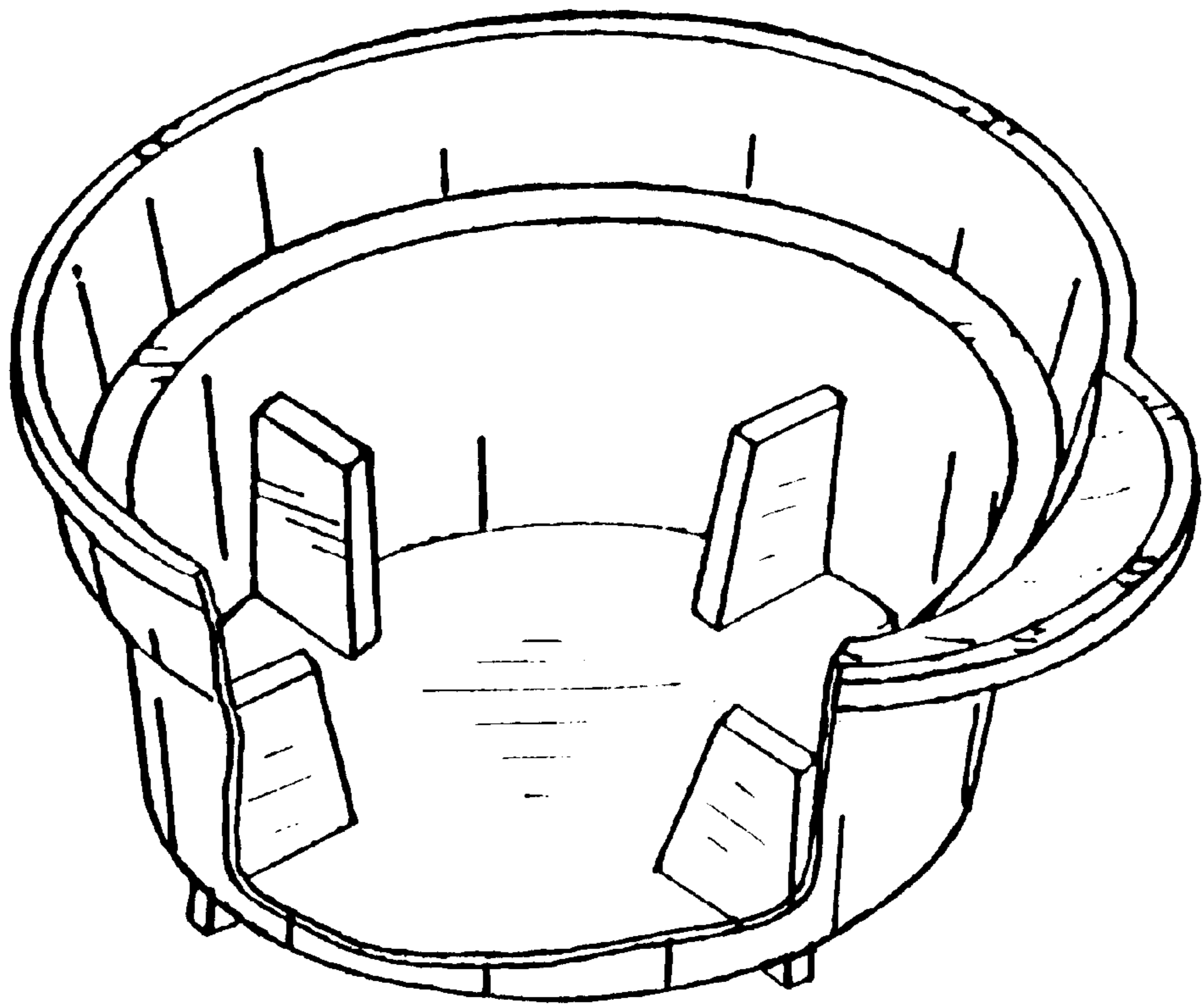


Fig. 1

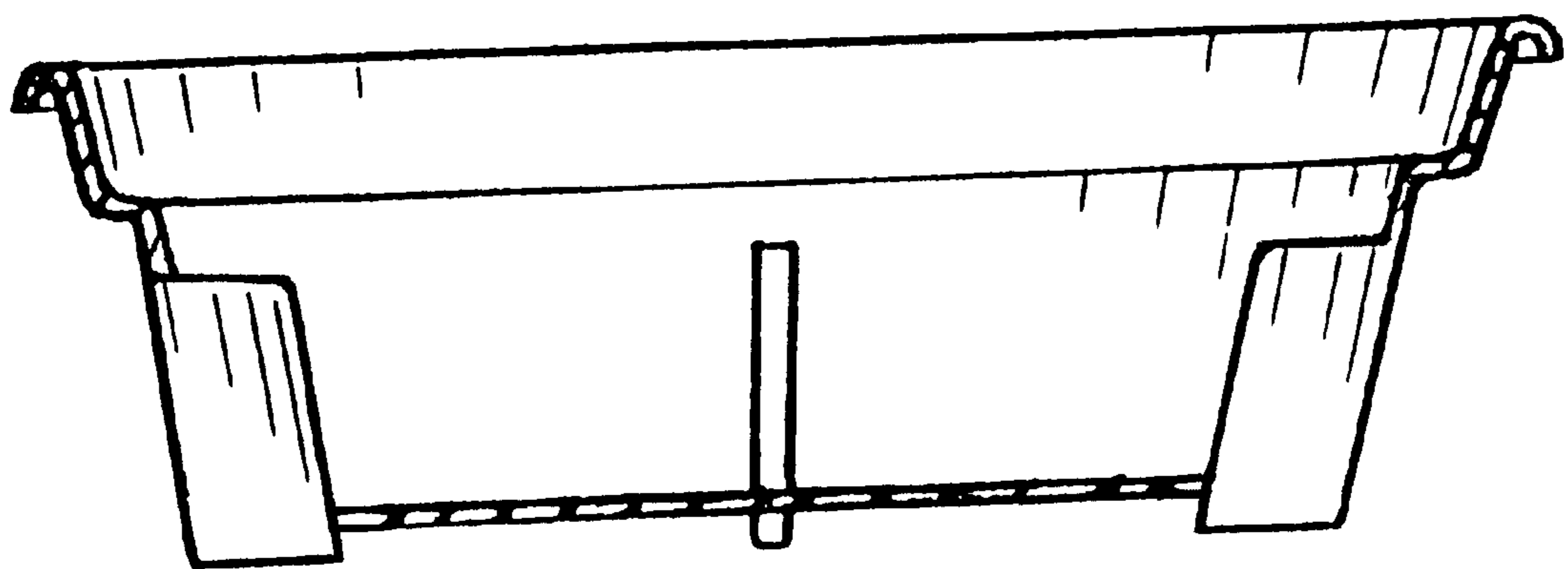


Fig. 2

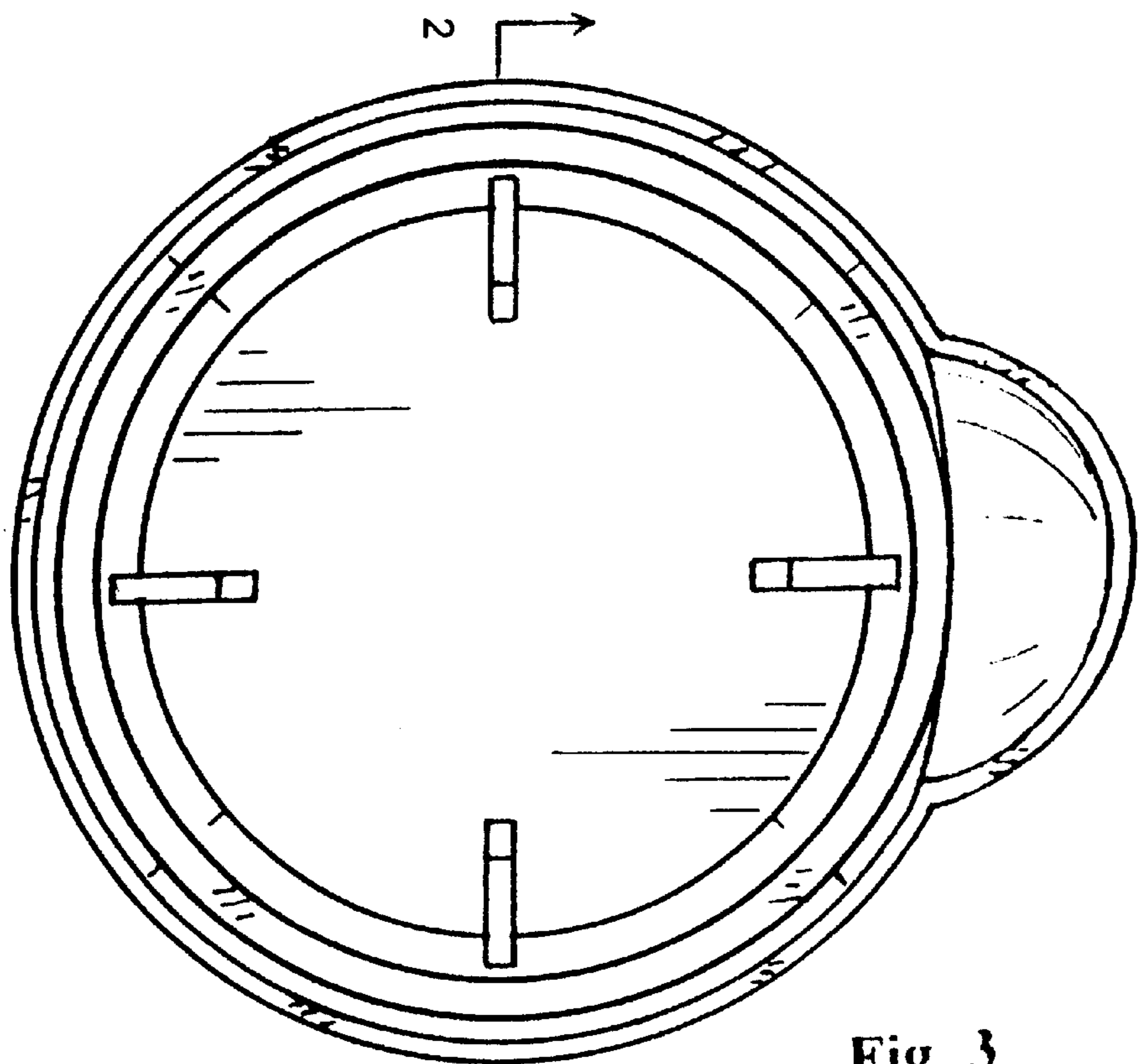


Fig. 3

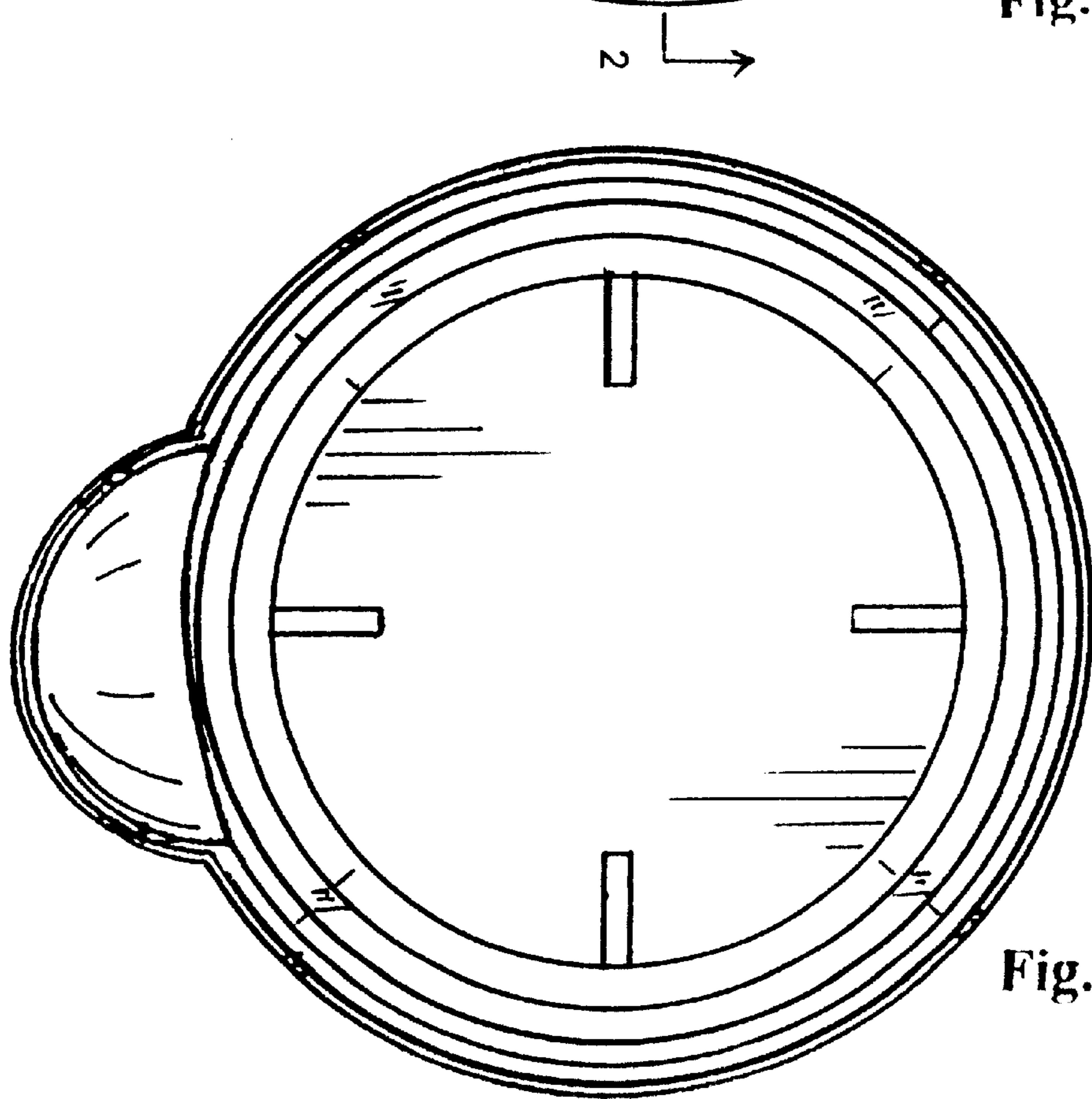


Fig. 4

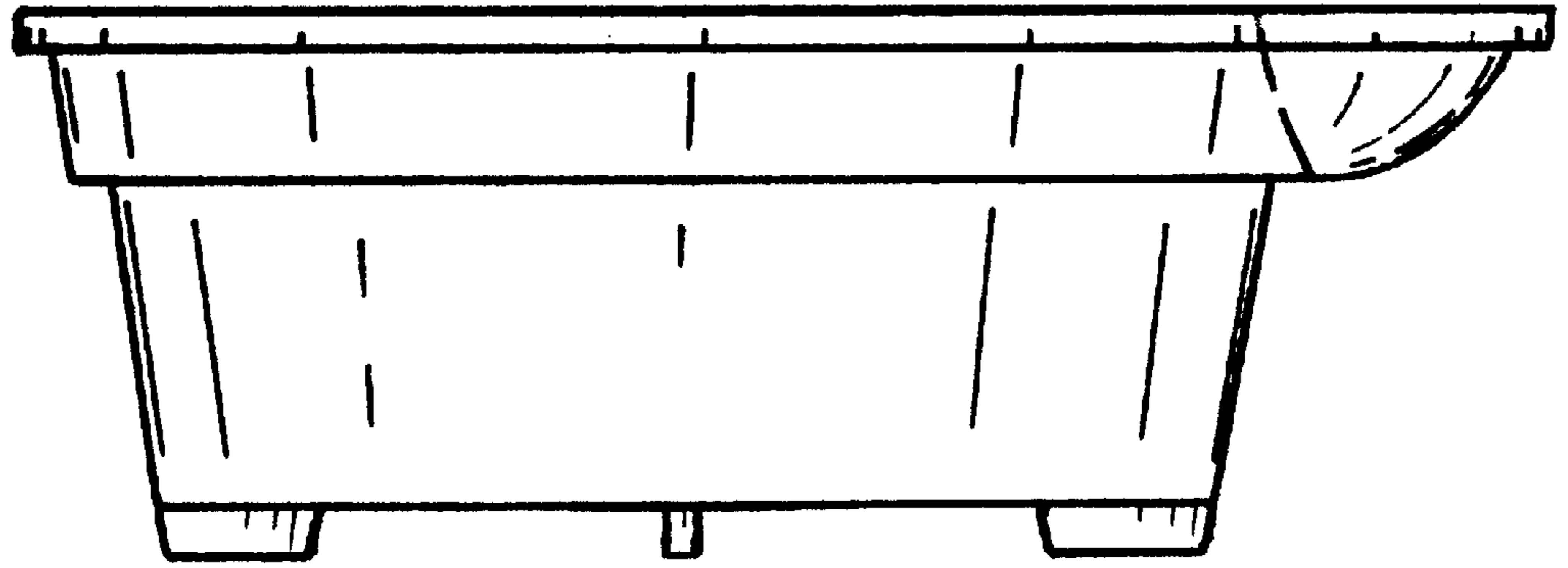


Fig. 5

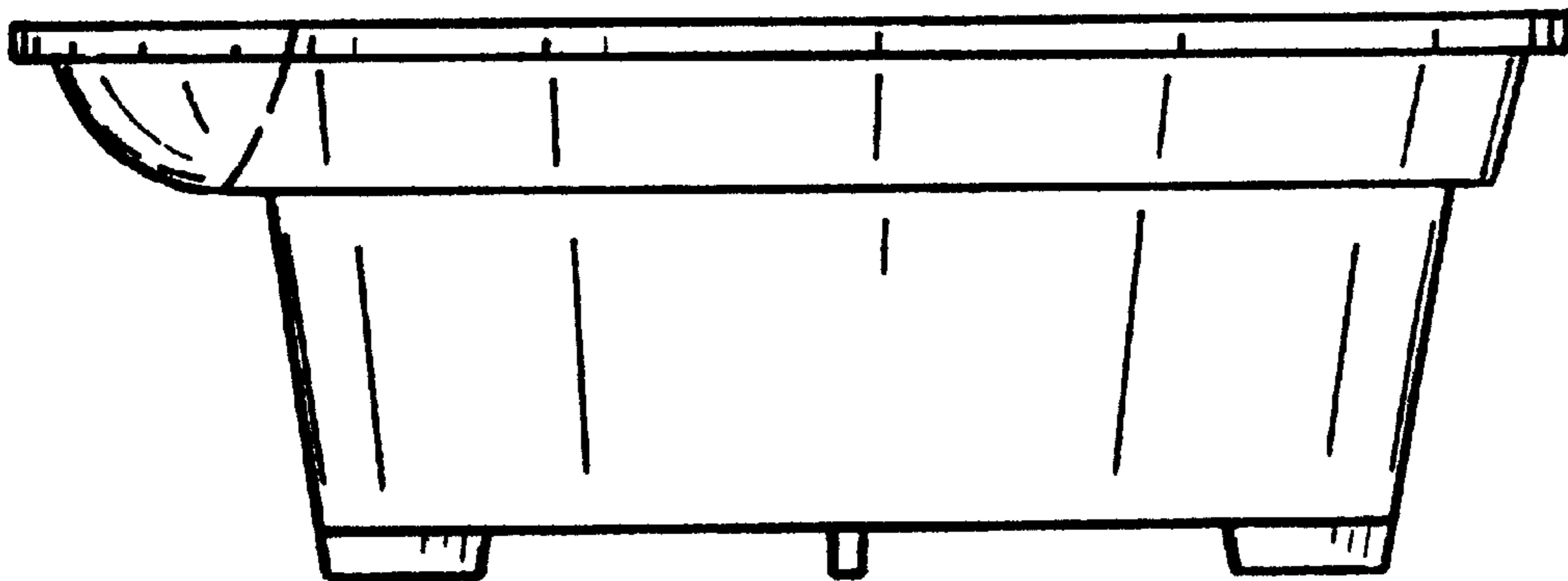
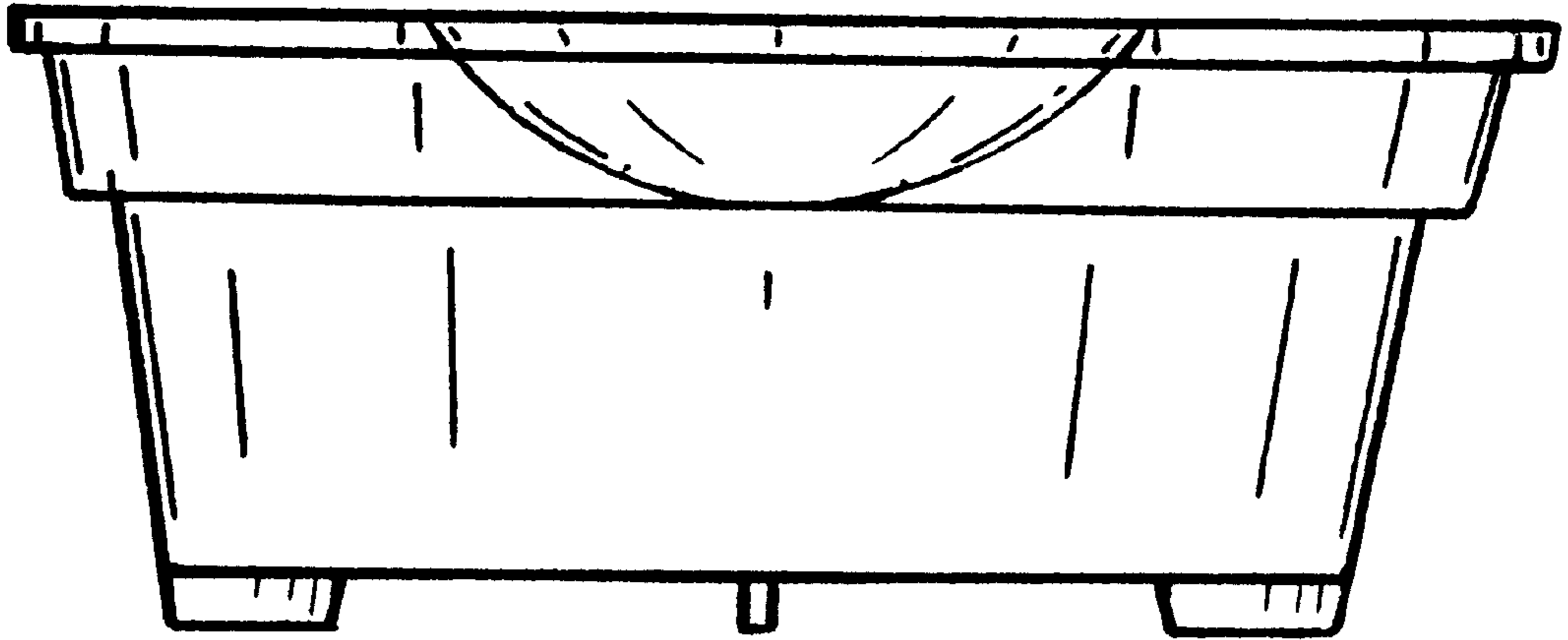
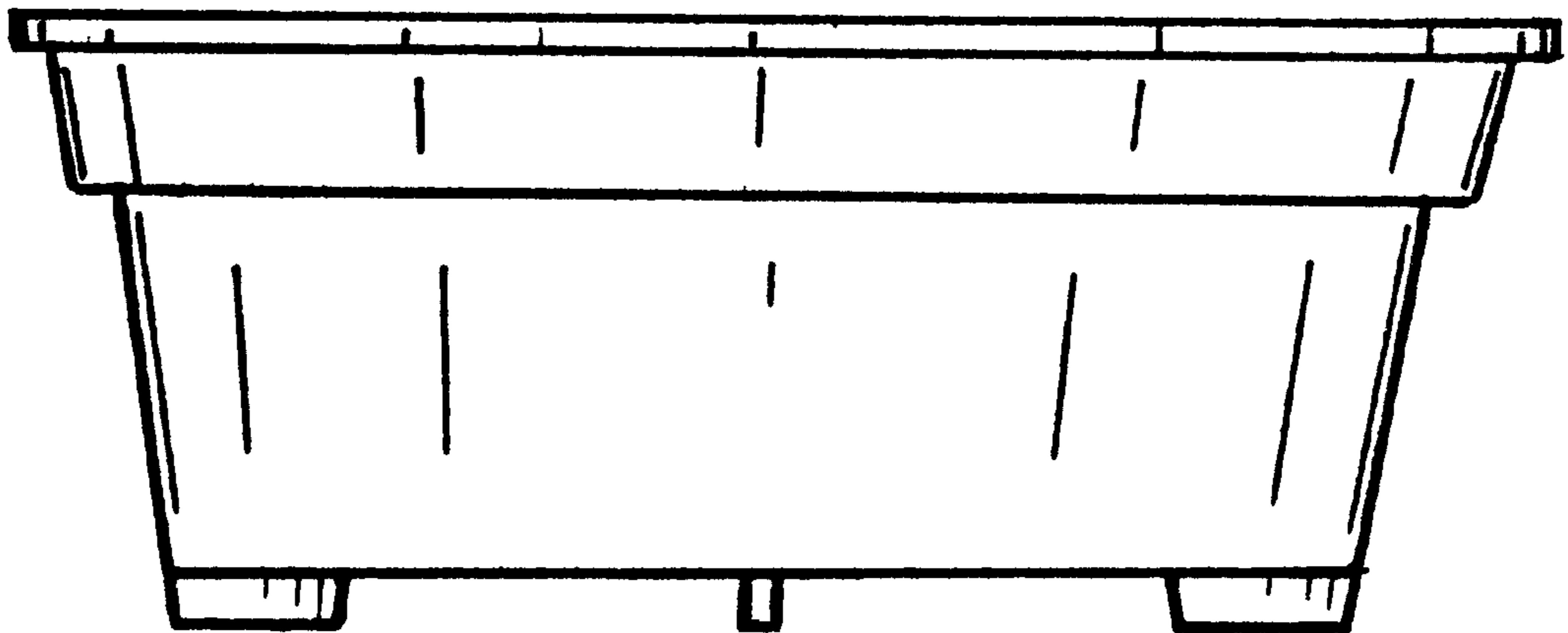


Fig. 6



**Fig. 7**



**Fig. 8**