



US00D485782S

(12) **United States Design Patent**  
**Hacmon**

(10) **Patent No.:** **US D485,782 S**

(45) **Date of Patent:** **\*\* Jan. 27, 2004**

(54) **PRECIOUS STONE**

D81,380 S \* 6/1930 Dinhofer ..... D11/90  
D81,382 S \* 6/1930 Dinhofer ..... D11/90

(75) Inventor: **Joseph Hacmon**, Ramat Gan (IL)

\* cited by examiner

(73) Assignee: **Australia Diamonds Ltd.**, Ramat Gan (IL)

*Primary Examiner*—Ralf Seifert  
(74) *Attorney, Agent, or Firm*—Kenyon & Kenyon

(\*\*) Term: **14 Years**

(57) **CLAIM**

(21) Appl. No.: **29/178,229**

An ornamental design for a precious stone, as shown and described.

(22) Filed: **Mar. 21, 2003**

**DESCRIPTION**

(51) **LOC (7) Cl.** ..... **11-01**

(52) **U.S. Cl.** ..... **D11/90**

(58) **Field of Search** ..... D11/1-2, 26-29,  
D11/89-92; 63/26-28, 32

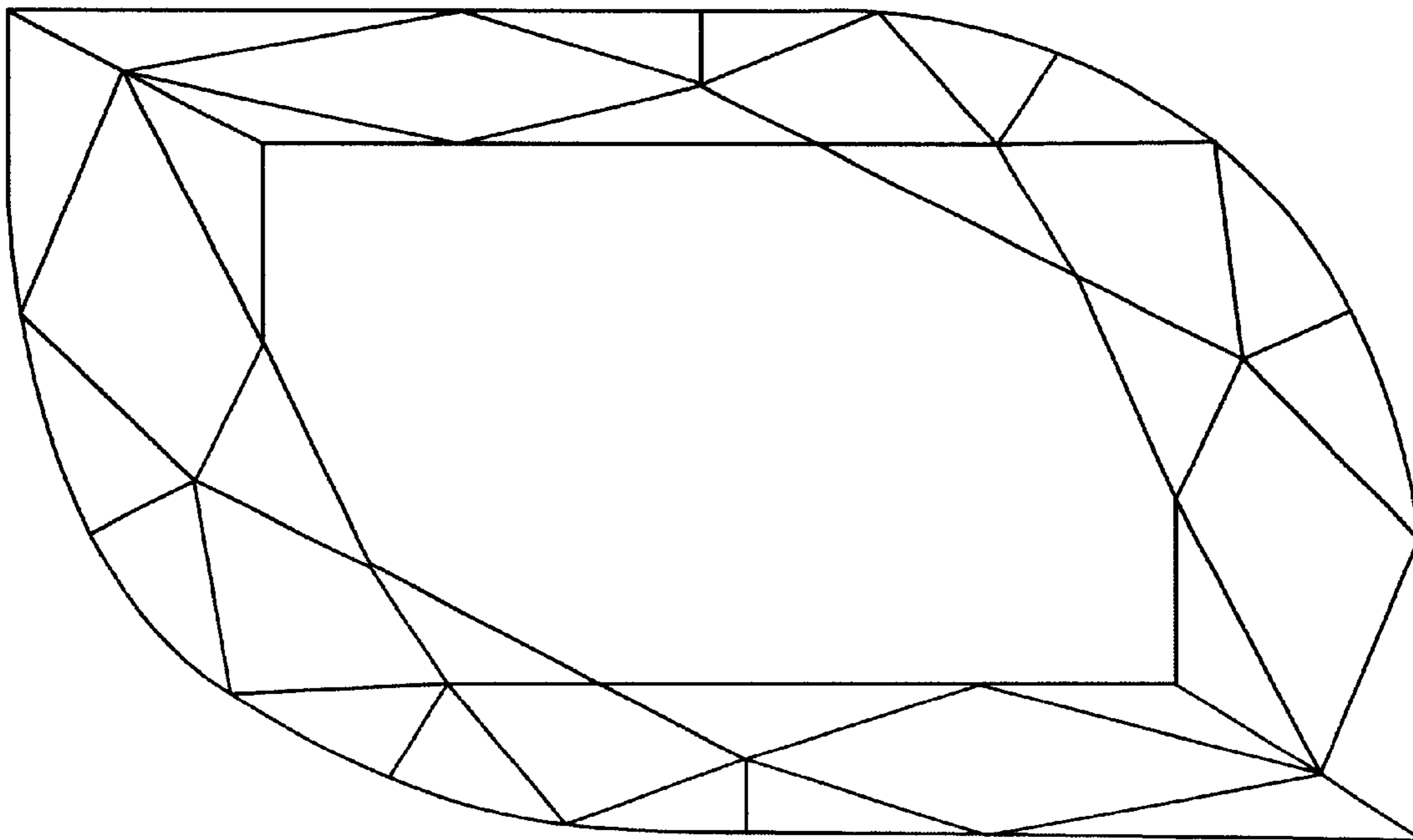
FIG. 1 is a top view of a precious stone showing my new design;  
FIG. 2 is a front view thereof;  
FIG. 3 is a side view thereof;  
FIG. 4 is a bottom view thereof;  
FIG. 5 is a first perspective view thereof; and,  
FIG. 6 is a second perspective view thereof.

(56) **References Cited**

**U.S. PATENT DOCUMENTS**

D62,991 S \* 9/1923 Heller ..... D11/90  
D62,992 S \* 9/1923 Heller ..... D11/90

**1 Claim, 3 Drawing Sheets**



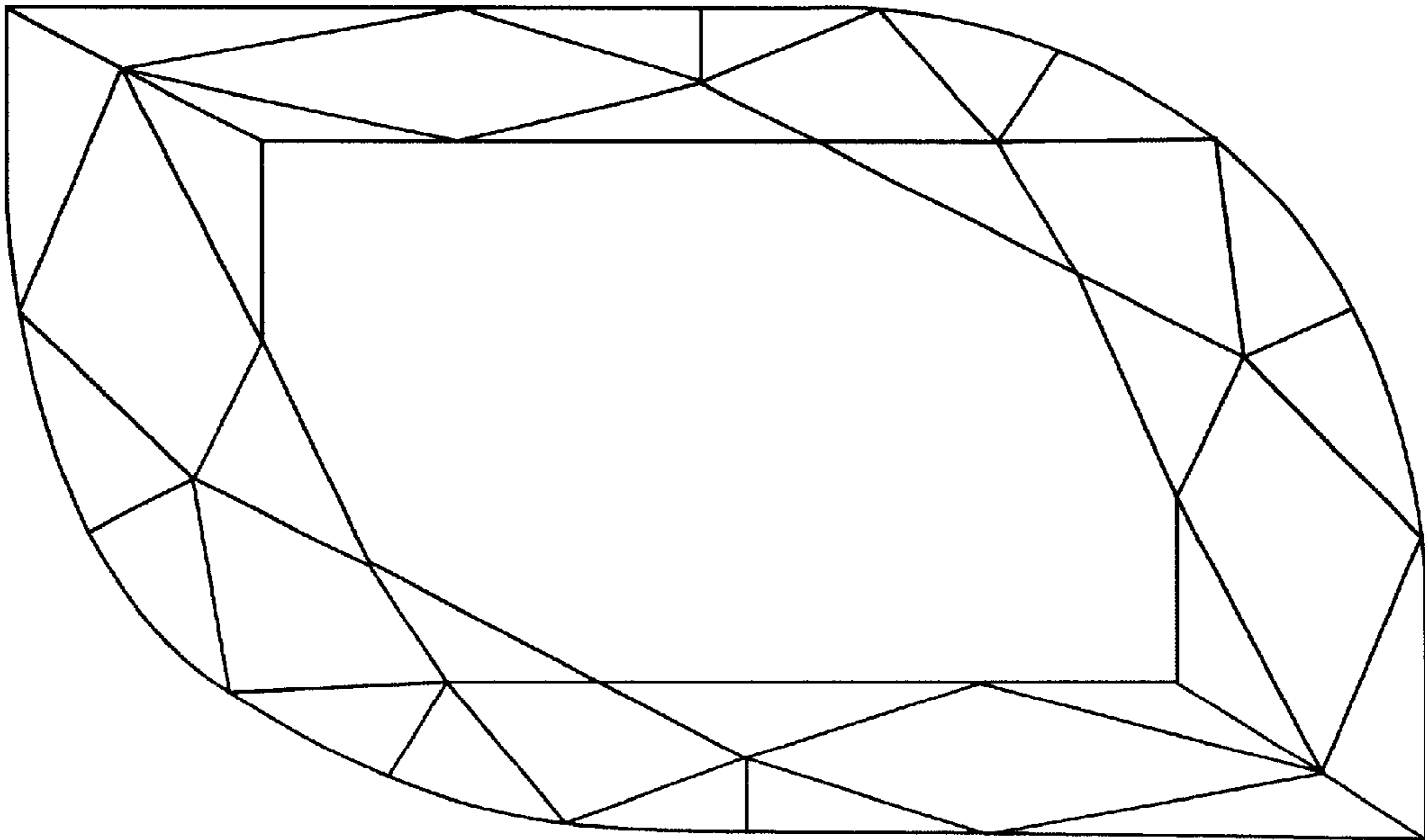


FIGURE 1

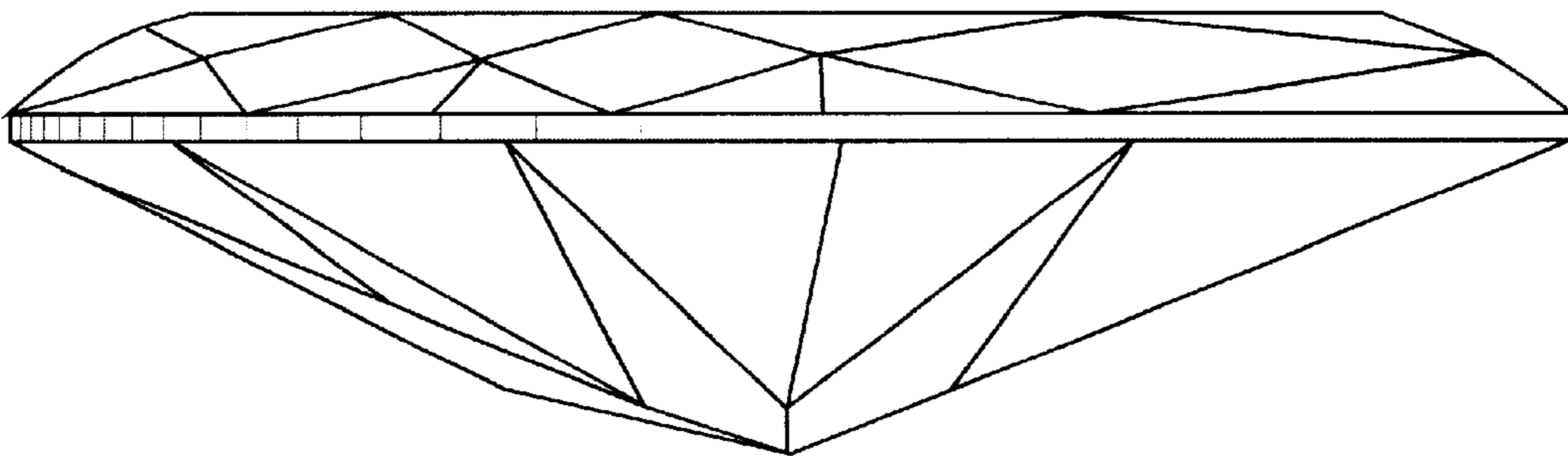


FIGURE 2

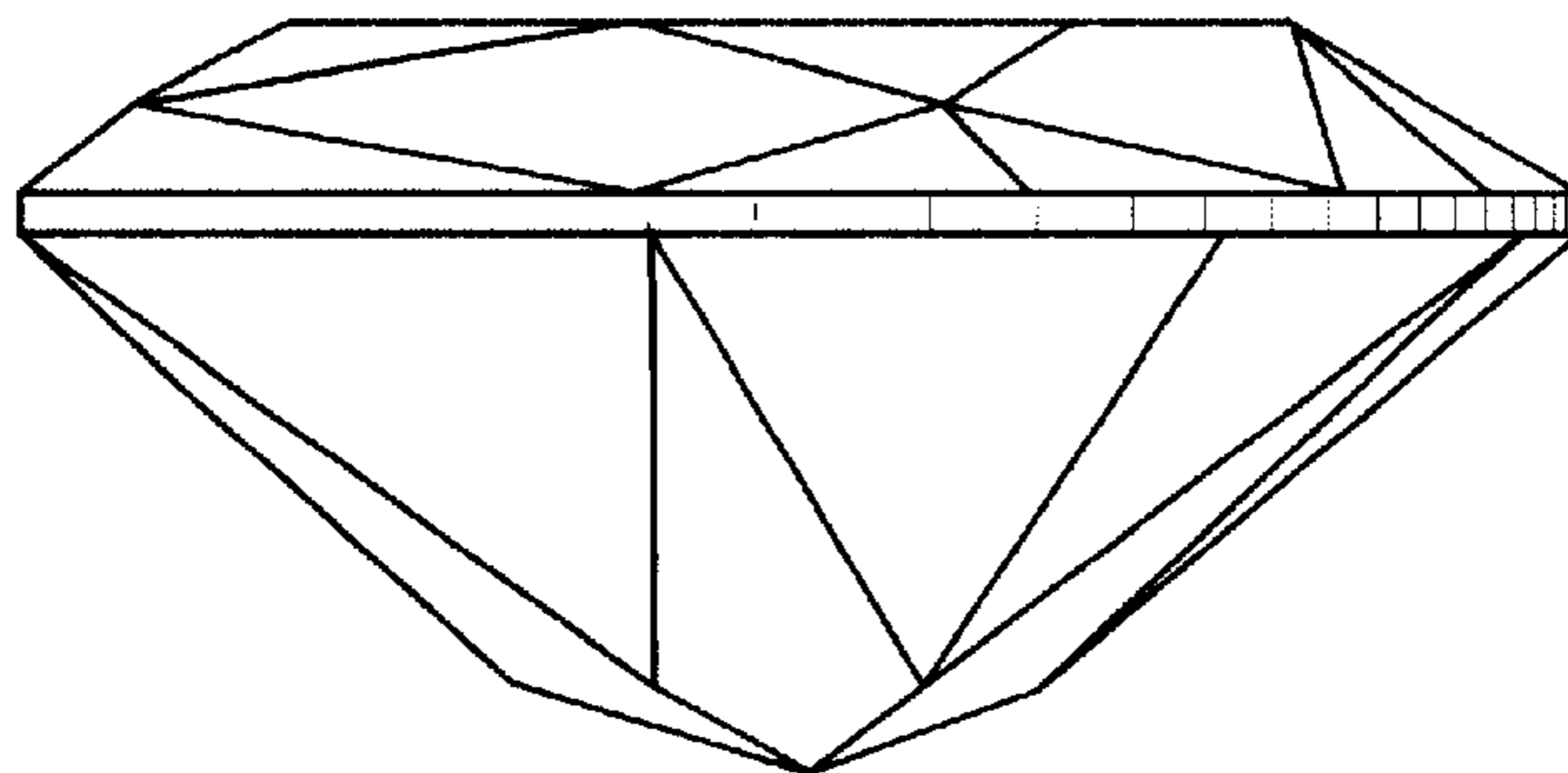


FIGURE 3

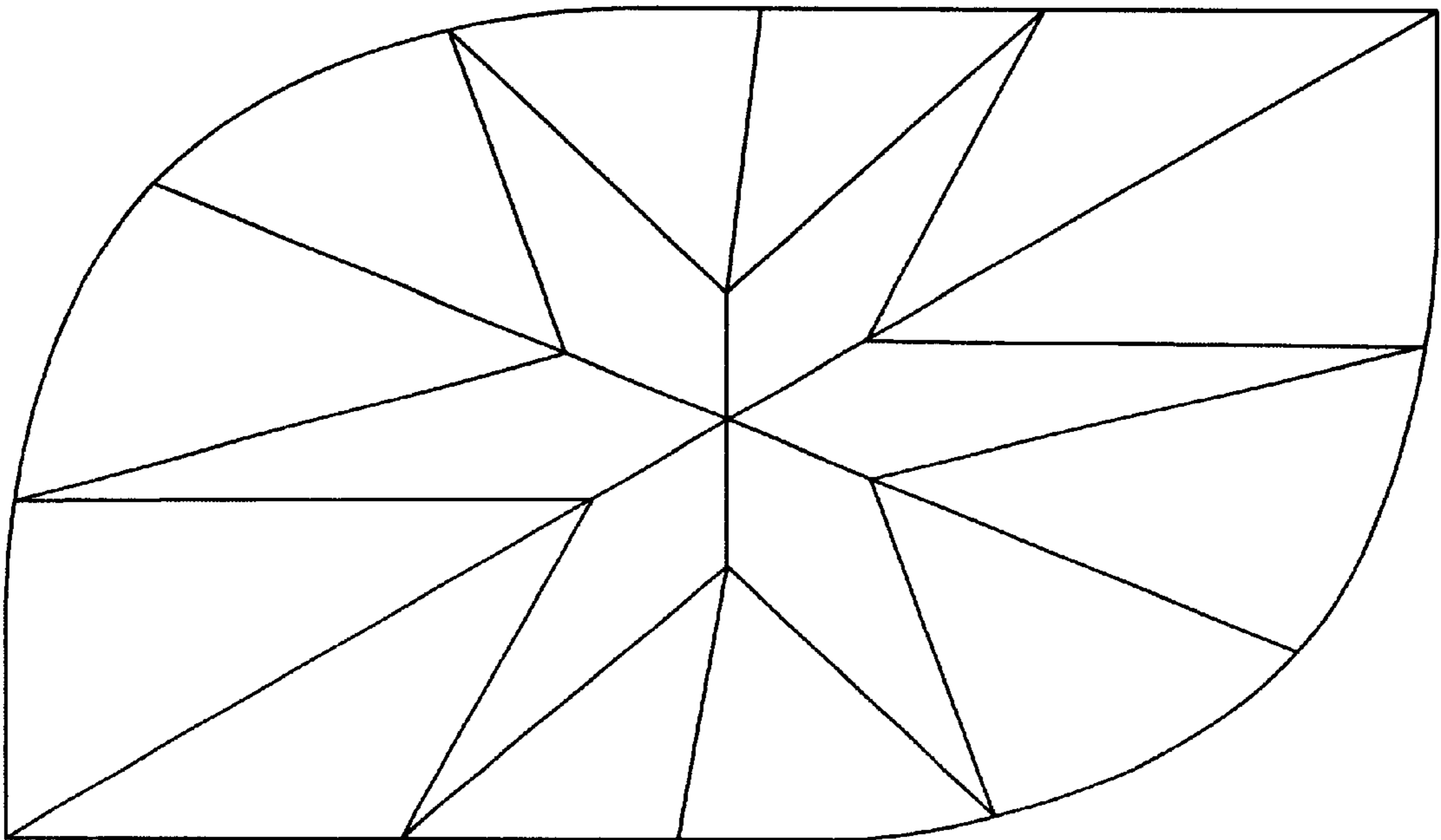


FIGURE 4

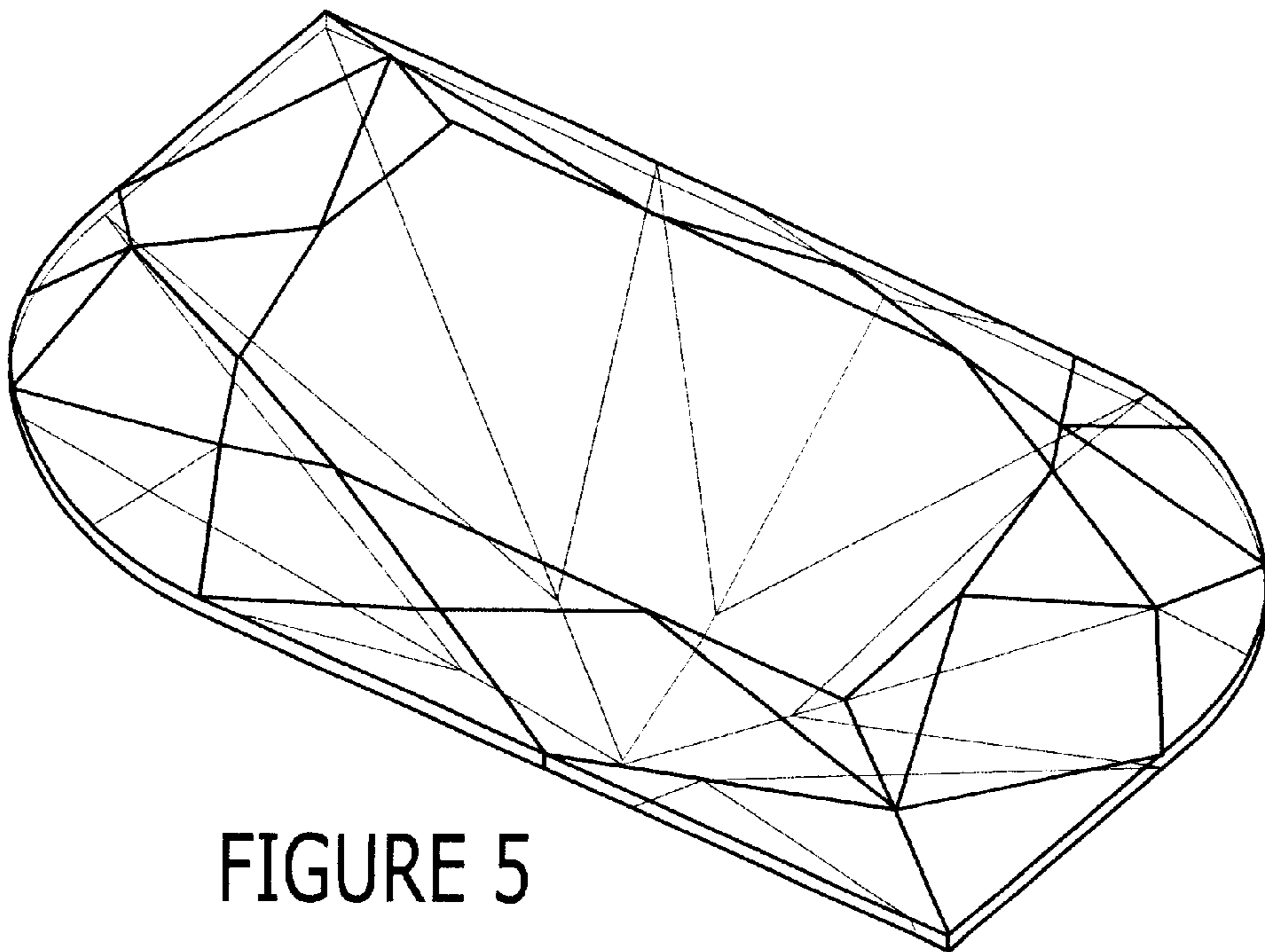


FIGURE 5

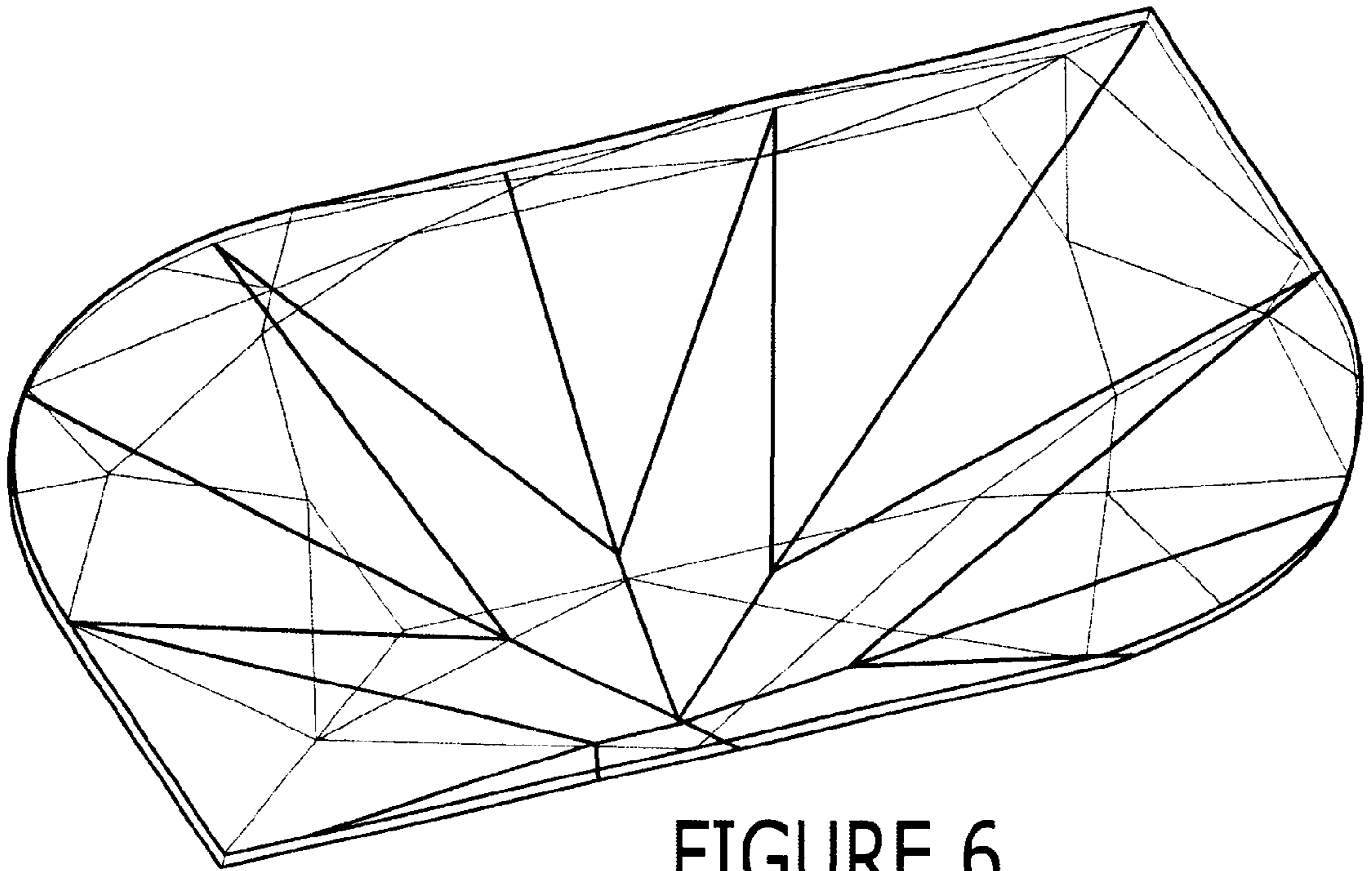


FIGURE 6