



US00D485780S

(12) **United States Design Patent**
Thomson

(10) **Patent No.: US D485,780 S**
(45) **Date of Patent: ** Jan. 27, 2004**

(54) **MONEY HOLDING DEVICE**

(76) Inventor: **Chip Edward Thomson**, 1314 Falcon Ledge, Suite 210, Austin, TX (US) 78746

(**) Term: **14 Years**

(21) Appl. No.: **29/165,408**

(22) Filed: **Aug. 9, 2002**

(51) **LOC (7) Cl.** **11-01**

(52) **U.S. Cl.** **D11/78.1; D19/65**

(58) **Field of Search** D11/78.1, 1, 2; D19/65; 24/3.12, 102 P, DIG. 9, 67.9, 67.5, 499, 67.3, 67 R, 562

(56) **References Cited**

U.S. PATENT DOCUMENTS

1,150,073 A * 8/1915 Spengler 24/565

(List continued on next page.)

Primary Examiner—Ralf Seifert

(74) *Attorney, Agent, or Firm*—Fulbright & Jaworski, L.L.P.

(57) **CLAIM**

The ornamental design for a money holding device, as shown and described.

DESCRIPTION

FIG. 1 is a frontal perspective view of a money holding device configured with a first embodiment of my design; FIG. 2 is a front elevational view of the first embodiment, the rear elevational view of the same being identical;

FIG. 3 is a right side elevational view of the first embodiment, the left side elevational view of the same being identical;

FIG. 4 is a front elevational view of the first embodiment with the arms in an open position, the rear elevational view of the same being identical;

FIG. 5 is a right side elevational view of the first embodiment with the arms in an open position, the left side elevational view of the same being identical;

FIG. 6 is a top plan view of the first embodiment;

FIG. 7 is a bottom plan view of the first embodiment;

FIG. 8 is a frontal perspective view of a money holding device configured with a second embodiment of my design; FIG. 9 is a front elevational view of the second embodiment, the rear elevational view of the same being identical to the view depicted in FIG. 2;

FIG. 10 is a right side elevational view of the second embodiment, the left side elevational view of the same being a mirror image thereof;

FIG. 11 is a front elevational view of the second embodiment with the arms in an open position, the rear elevational view of the same being identical to the view depicted in FIG. 4;

FIG. 12 is a right side elevational view of the second embodiment with the arms in an open position, the left side elevational view of the same being a mirror image thereof; FIG. 13 is a top plan view of the second embodiment, the bottom plan view of the second embodiment being identical to the view depicted in FIG. 7;

FIG. 14 is a frontal perspective view of a money holding device configured with a third embodiment of my design, the front and rear elevational views of the third embodiment both being identical to the view depicted in FIG. 9;

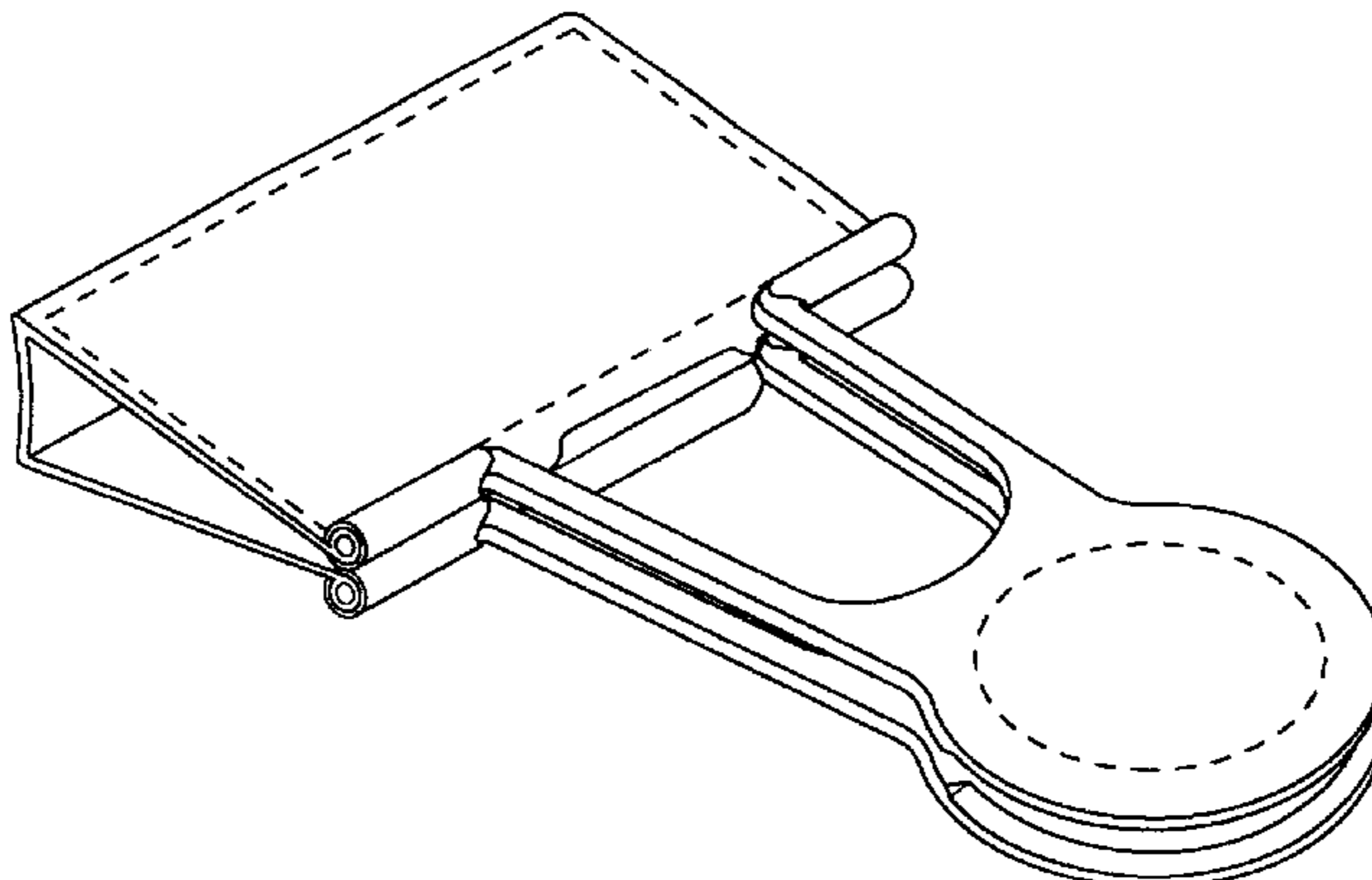
FIG. 15 is a right side elevational view of the third embodiment, the left side elevational view of the same being identical;

FIG. 16 is a right side elevational view of the third embodiment with the arms in an open position, the left side elevational view of the same being identical; and,

FIG. 17 is a top plan view of the third embodiment, the bottom plan view of the third embodiment being identical to the view depicted in FIG. 7.

The only difference between the first and second embodiments is the configuration of the front arm, as is clear from a comparison of FIGS. 3 and 10. The only differences between the first and third embodiments are the configurations of the front and rear arms, as is clear from a comparison of FIGS. 3 and 15. The only difference between the second and third embodiments is the configuration of the rear arm, as is clear from a comparison of FIGS. 10 and 15. The dotted lines shown in the figures represent environmental borders that form no part of the claimed design. Surface ornamentation forming no part of the claimed design may be placed within the unclaimed environmental borders. Further, the surface(s) or portion(s) of the design not shown in the figures or otherwise described in the specification form(s) no part of the claimed design.

1 Claim, 5 Drawing Sheets



US D485,780 S

Page 2

U.S. PATENT DOCUMENTS

4,332,060	A	*	6/1982	Sato	24/67.9	D321,210	S	*	10/1991	Hiromori	D19/65
4,402,530	A	*	9/1983	Daguerre	281/45	5,249,336	A	*	10/1993	Miller	24/67.5
4,532,680	A	*	8/1985	Hashimoto	24/67 R	5,249,437	A	*	10/1993	Cole, Jr.	63/1.12
D283,844	S	*	5/1986	Saad et al.	D11/78.1	5,533,236	A	*	7/1996	Tseng	24/67.5
4,675,953	A	*	6/1987	Higgs	24/499	D372,498	S	*	8/1996	Sato	D19/65
4,761,862	A	*	8/1988	Hiromori	24/67.9	5,896,624	A	*	4/1999	Horswell	24/67.5
D321,209	S	*	10/1991	Hiromori	D19/65	6,327,749	B1	*	12/2001	Antinone	24/67 R

* cited by examiner

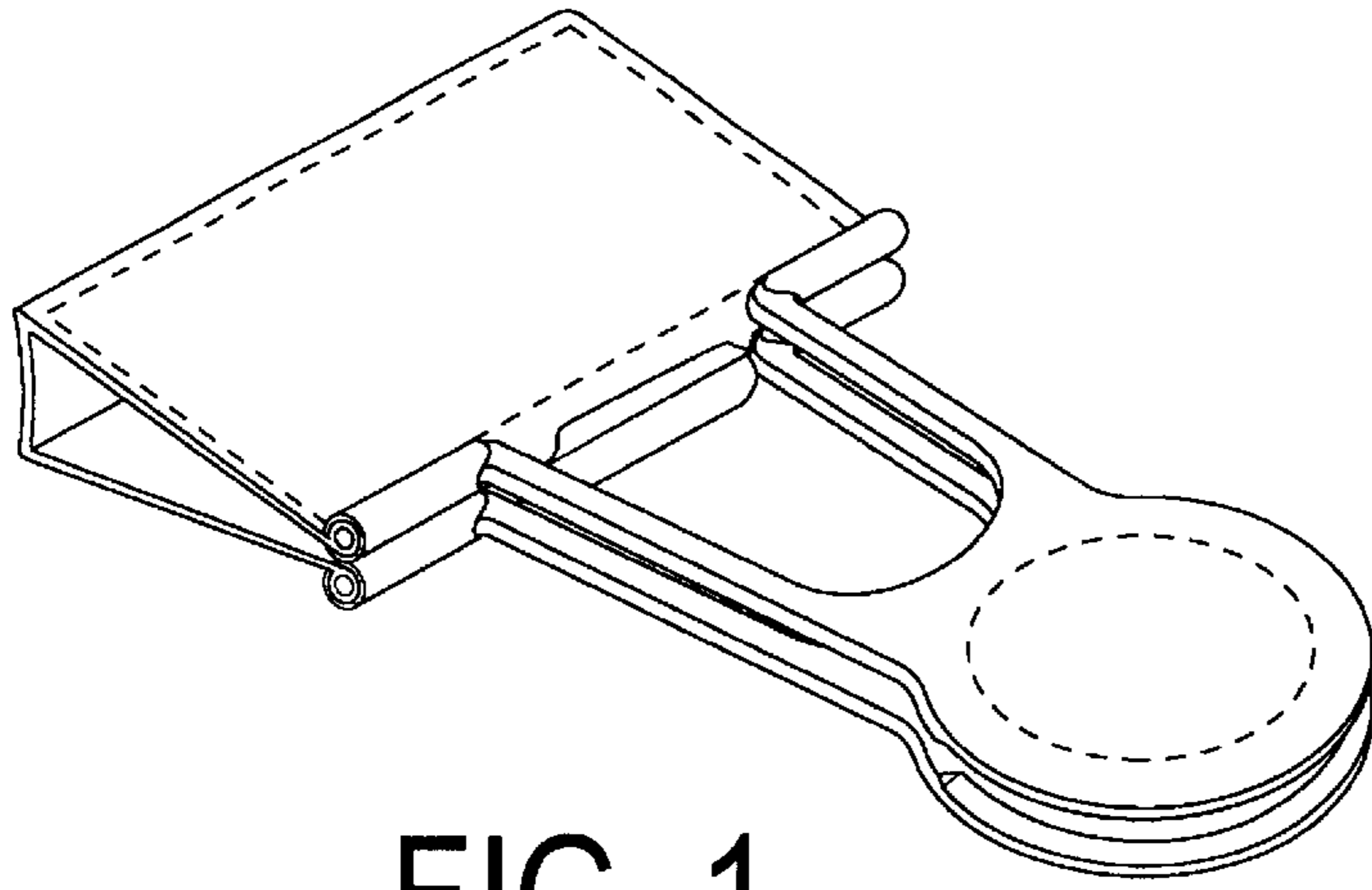


FIG. 1

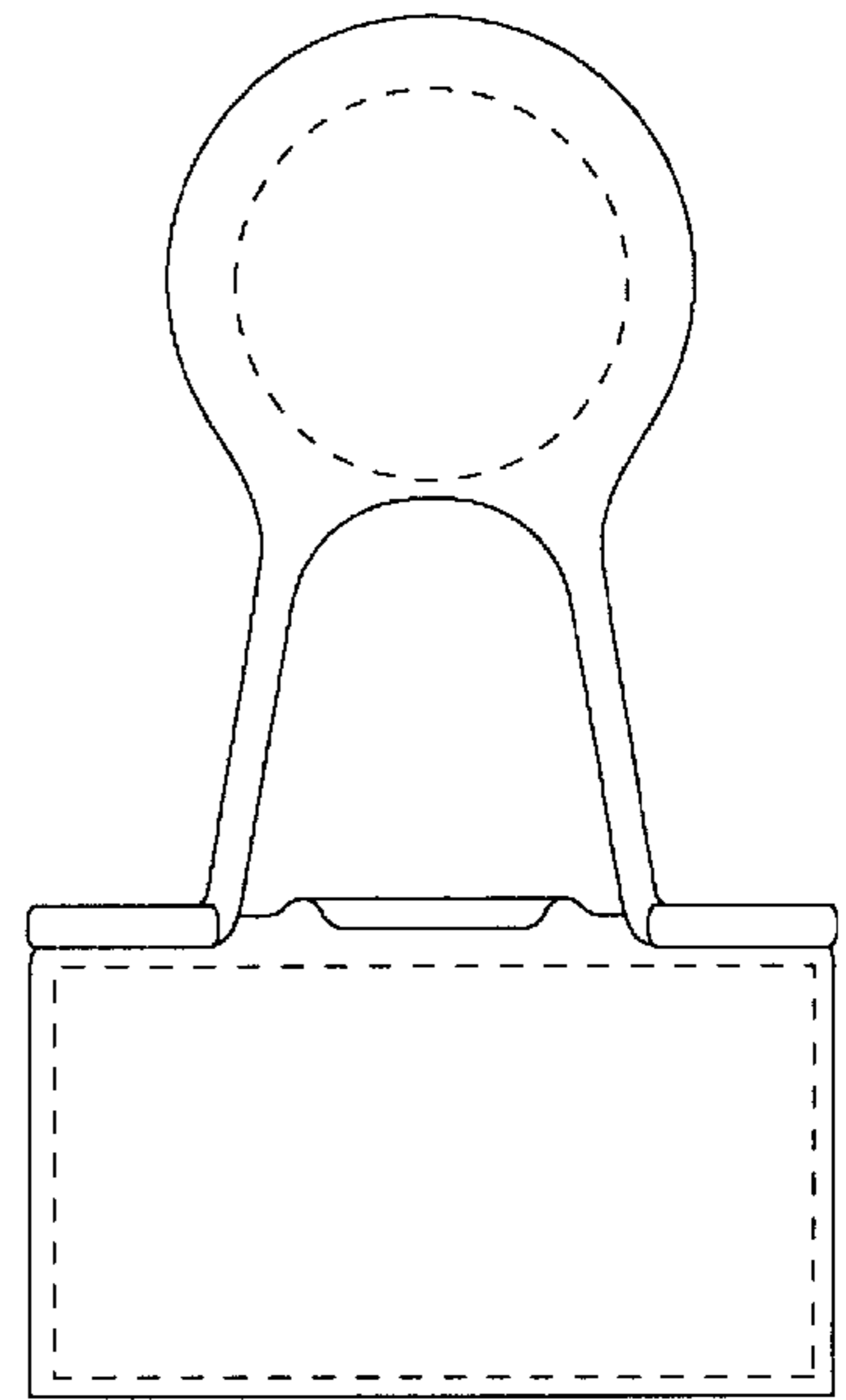


FIG. 2

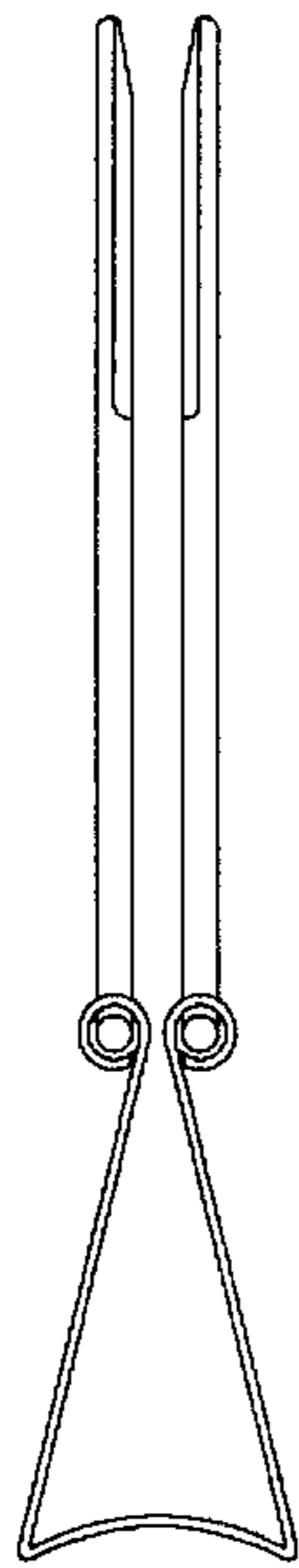


FIG. 3

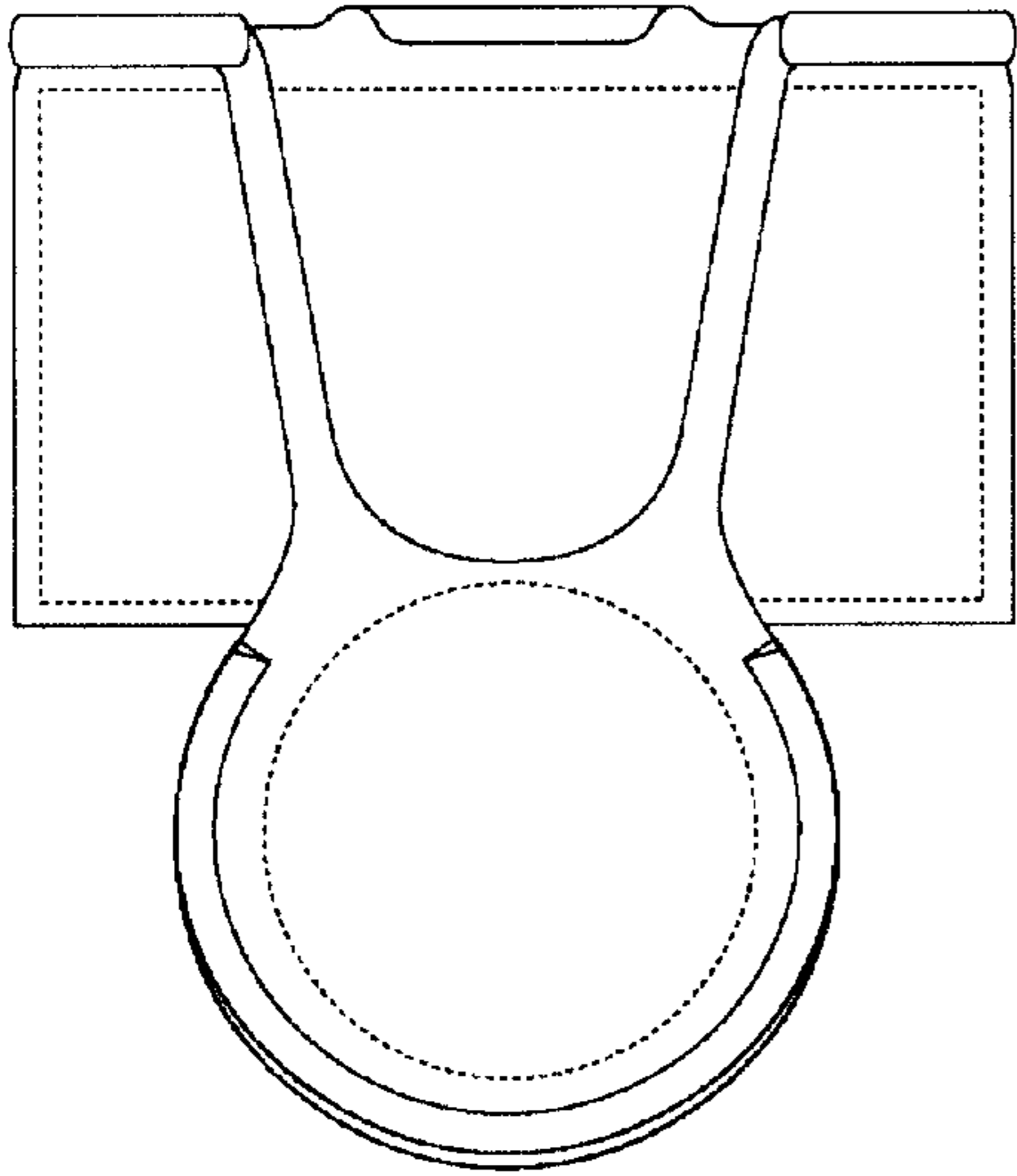


FIG. 4

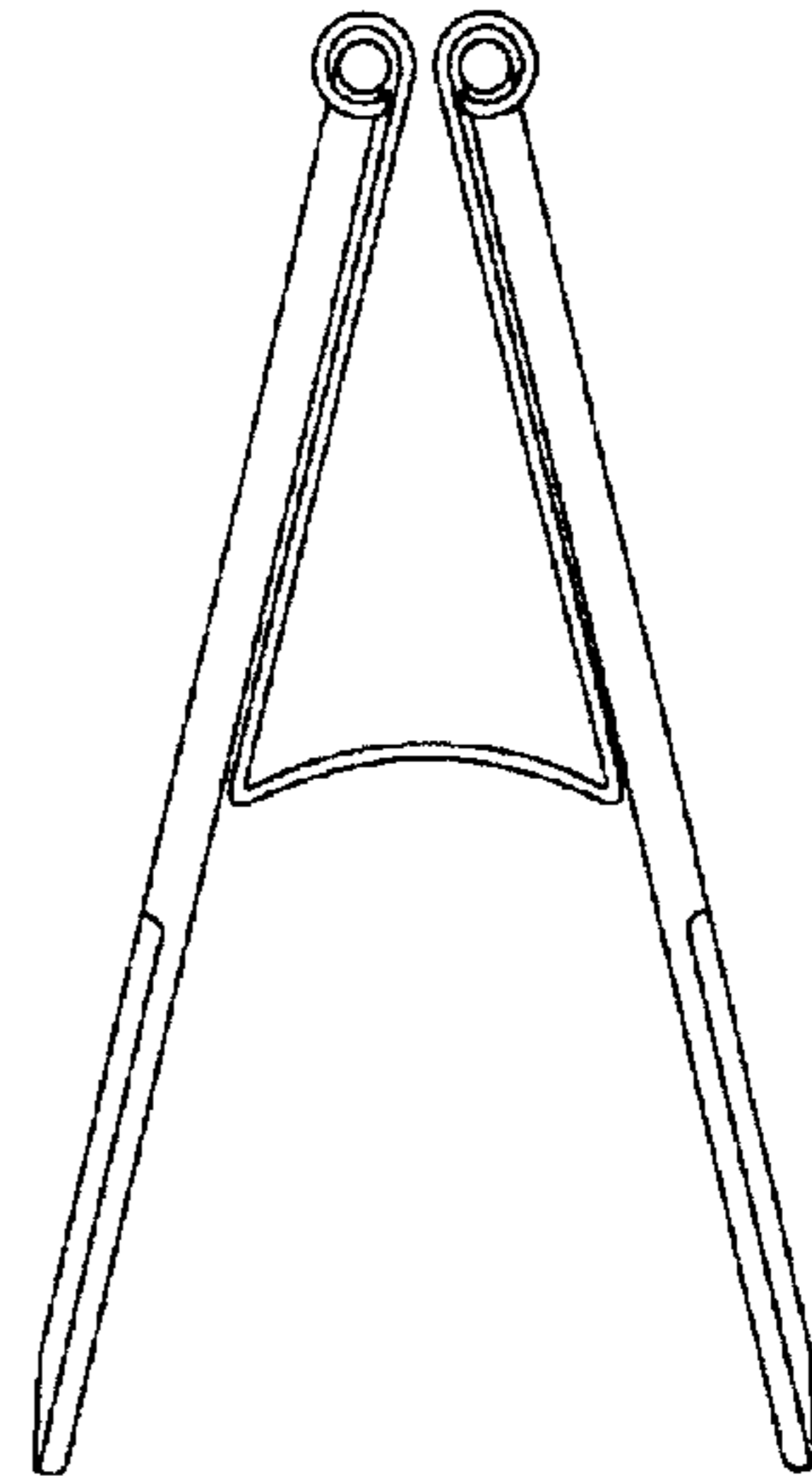


FIG. 5

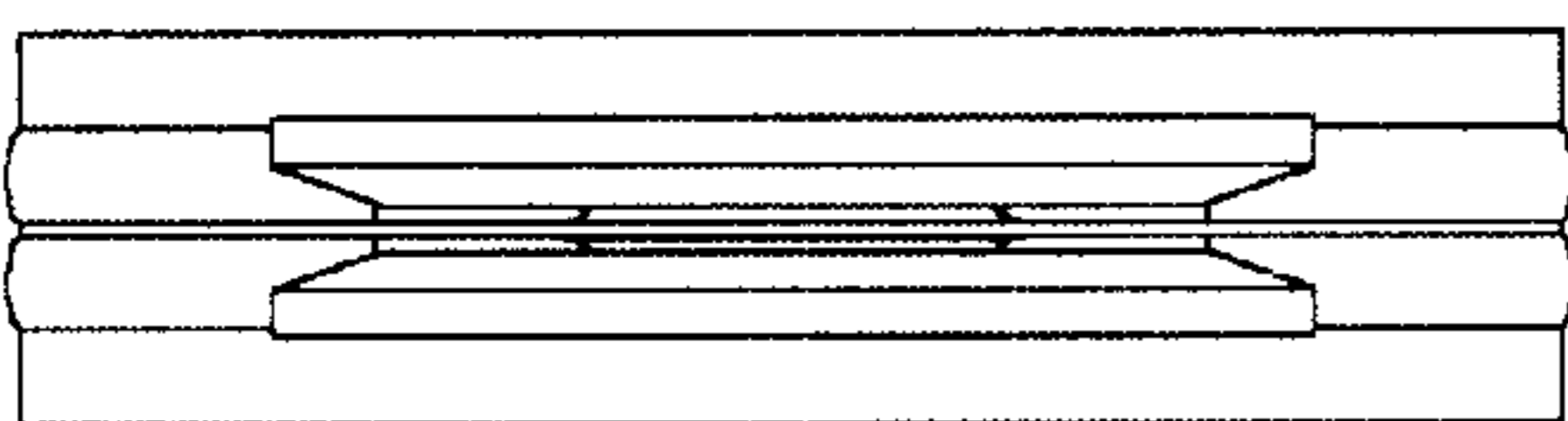


FIG. 6

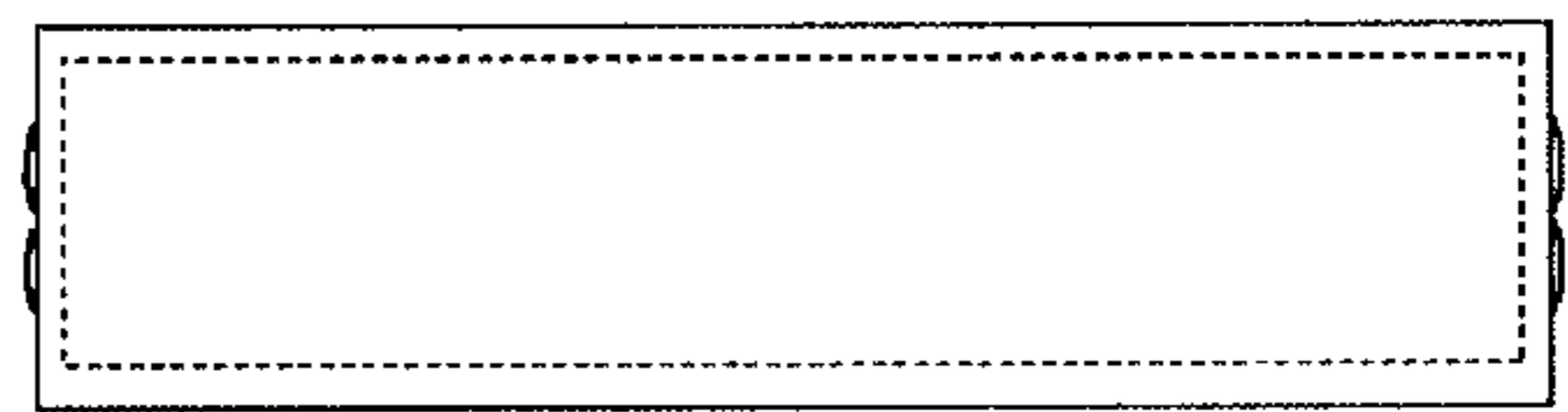


FIG. 7

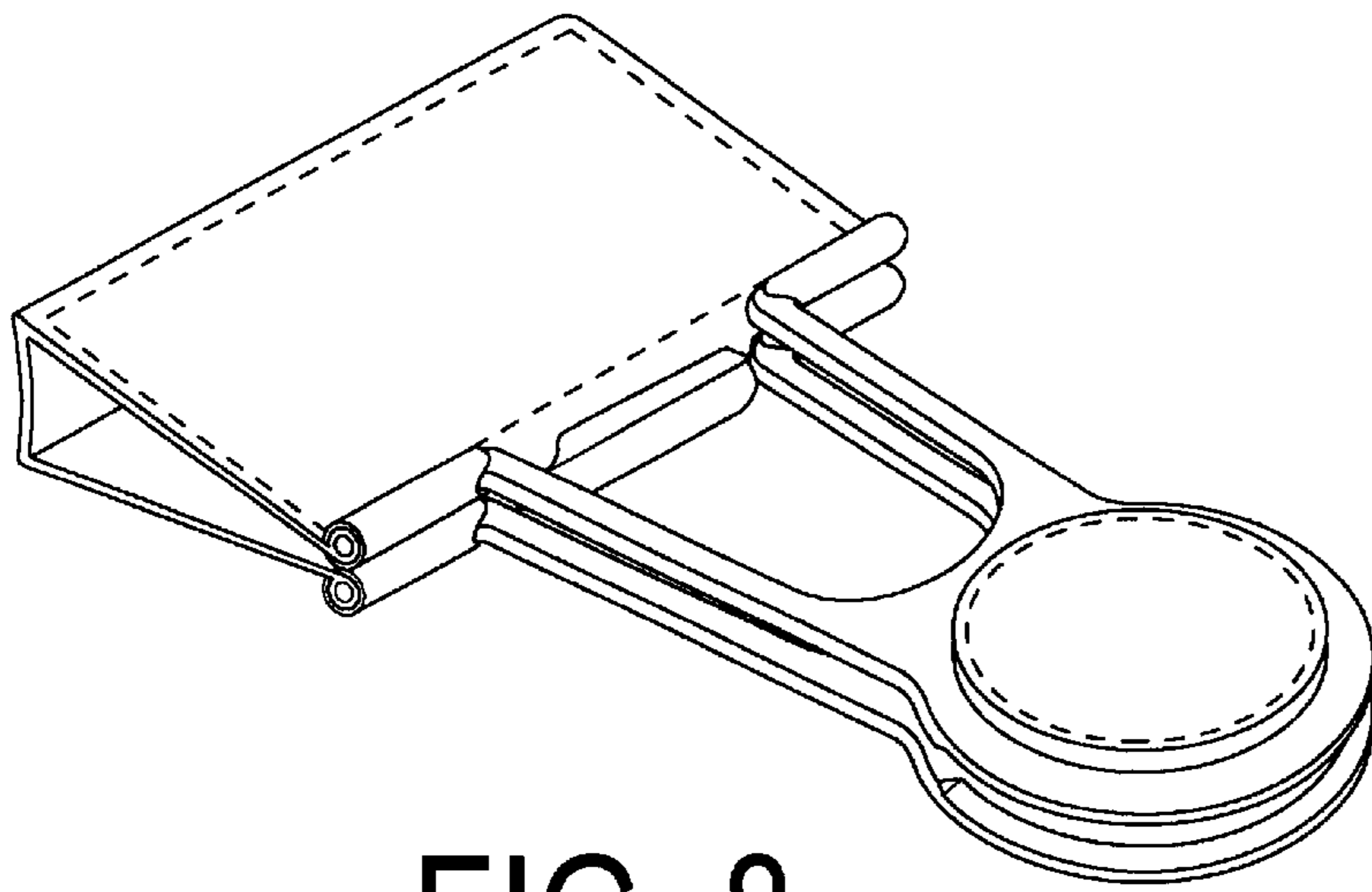


FIG. 8

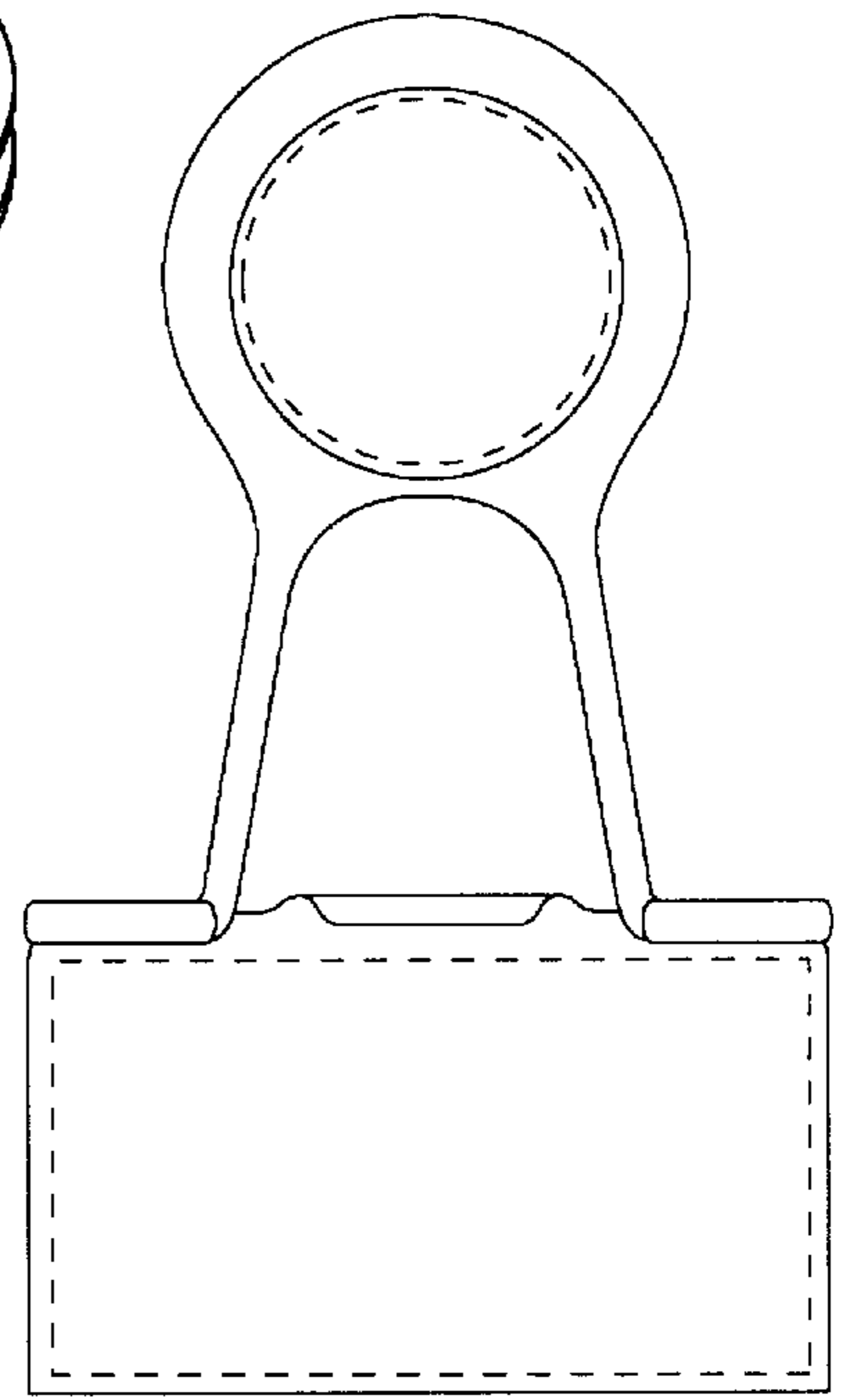


FIG. 9

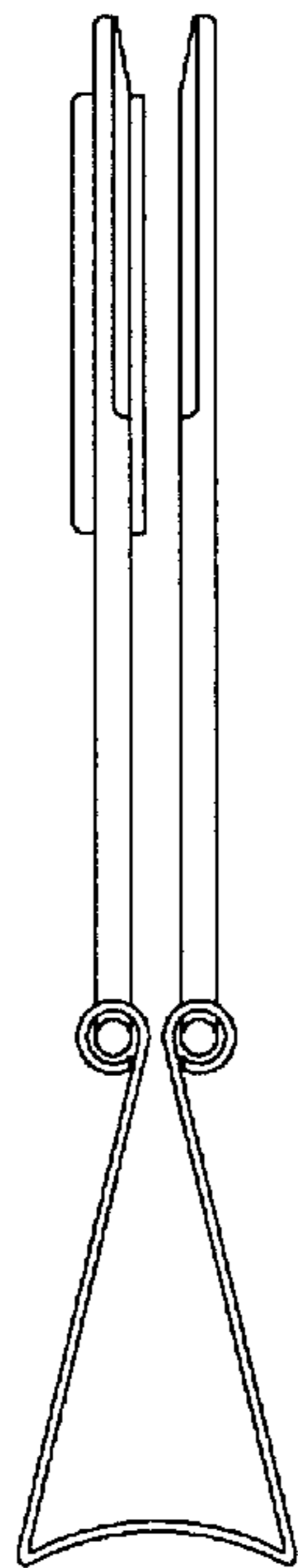


FIG. 10

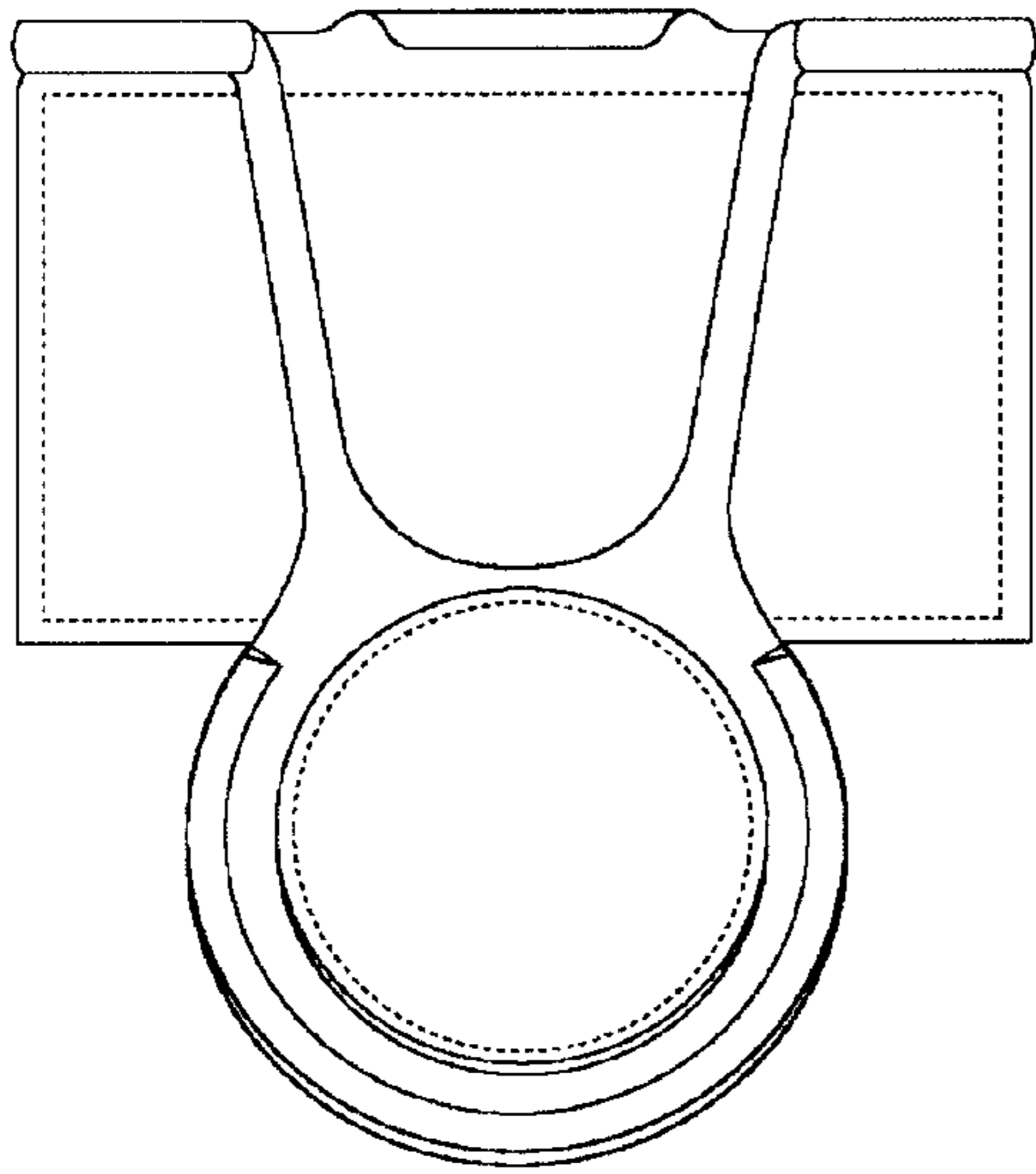


FIG. 11

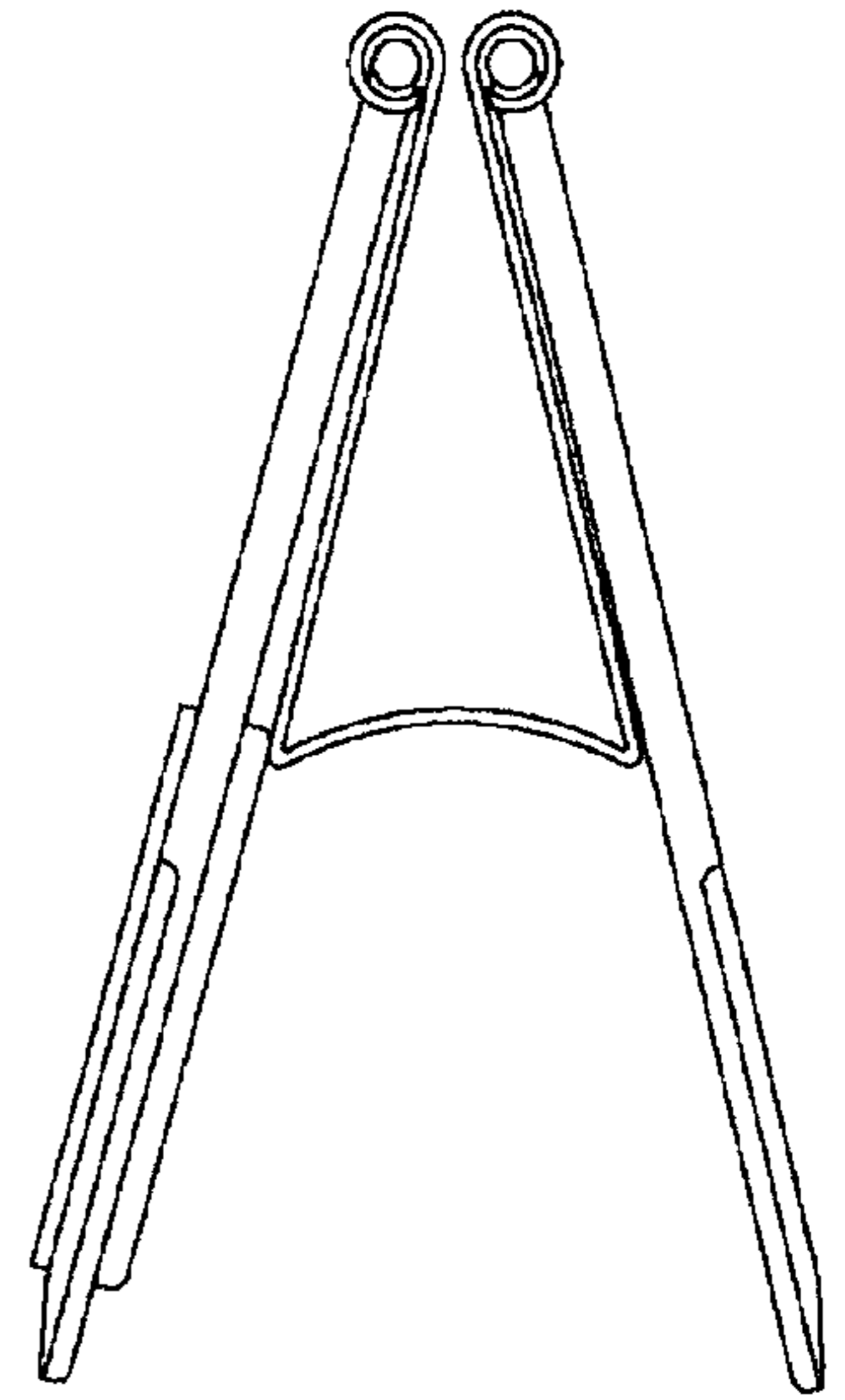


FIG. 12

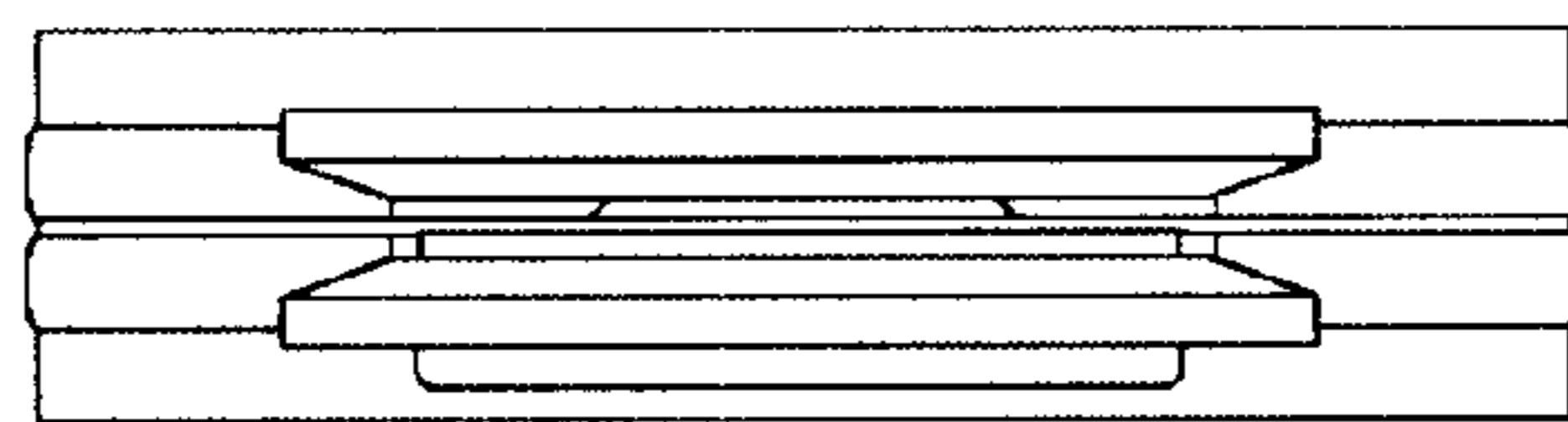


FIG. 13

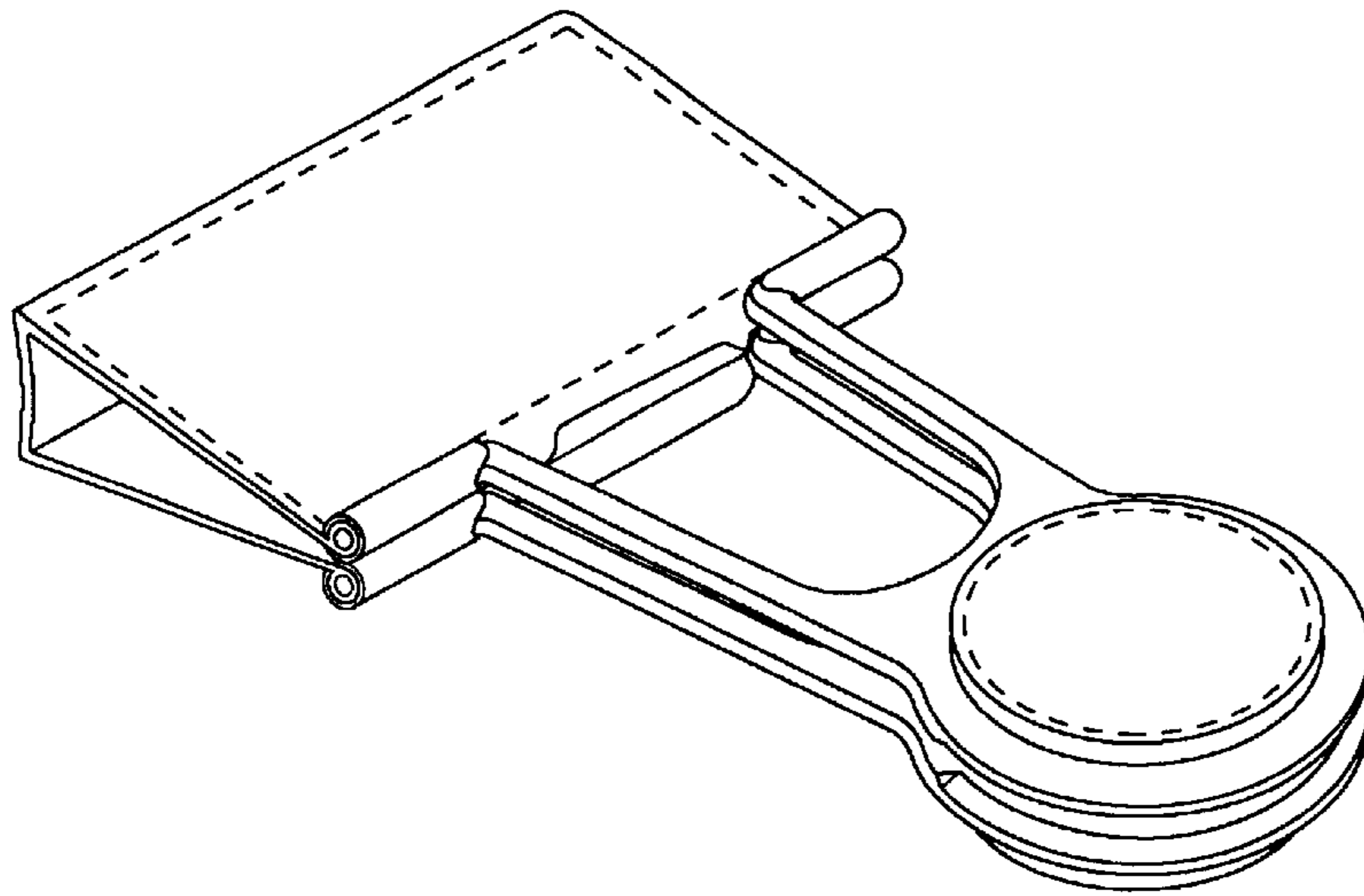


FIG. 14

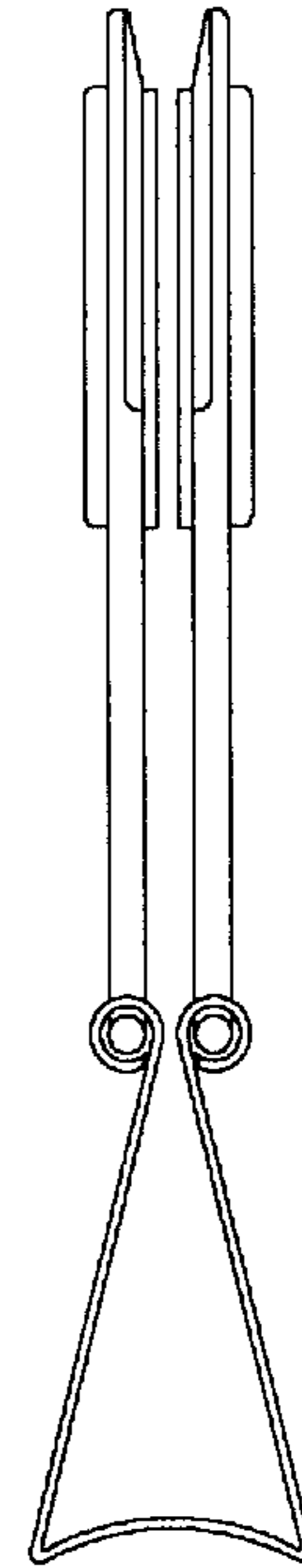


FIG. 15

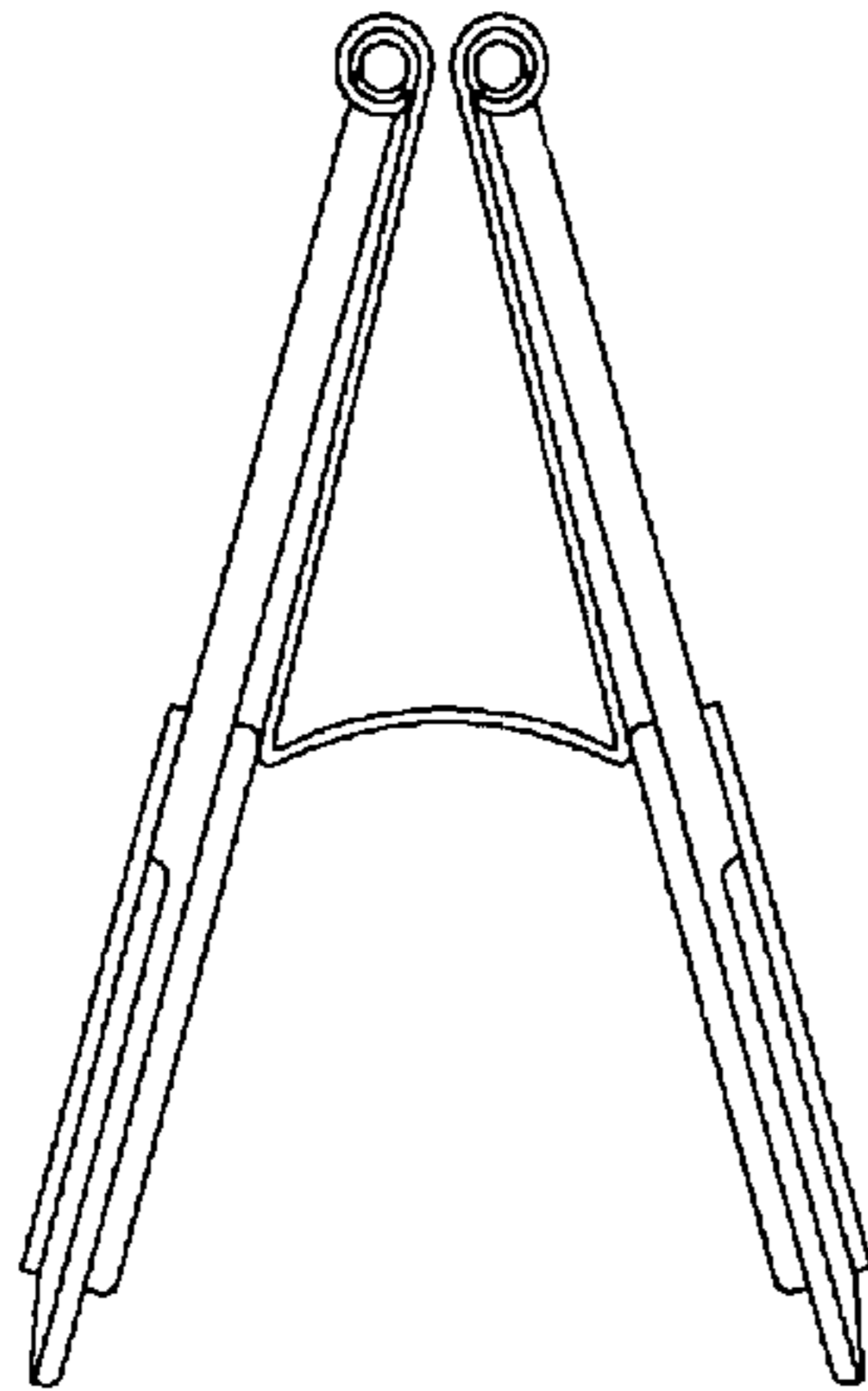


FIG. 16

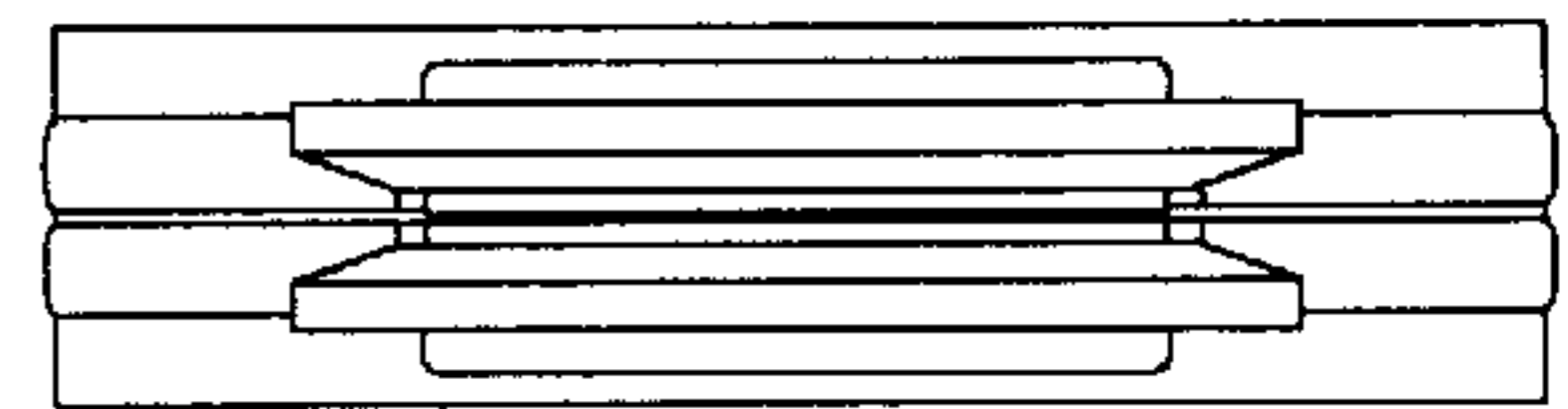


FIG. 17