



US00D485779S

(12) **United States Design Patent**  
**Steckbeck**

(10) **Patent No.:** **US D485,779 S**  
(45) **Date of Patent:** **\*\* Jan. 27, 2004**

(54) **MULTIPLE JEWEL-SHAPED NECKLACE WITH PEAR-SHAPED GEMSTONE**

(75) Inventor: **Kurt C. Steckbeck**, Geneva, IL (US)

(73) Assignee: **North American Jewelers, Inc.**,  
Chicago, IL (US)

(\*\*) Term: **14 Years**

(21) Appl. No.: **29/183,809**

(22) Filed: **Jun. 16, 2003**

(51) **LOC (7) Cl.** ..... **11-01**

(52) **U.S. Cl.** ..... **D11/7**

(58) **Field of Search** ..... D11/1, 2, 40, 44,  
D11/48, 61, 79-81, 86, 95-99, 108, 109,  
116; 63/13, 14.1, 18-20, 23

(56) **References Cited**

**U.S. PATENT DOCUMENTS**

3,686,894	A	8/1972	Handler et al.	
D257,024	S	* 9/1980	Barr	D11/43
D257,026	S	* 9/1980	Barr	D11/75
4,265,098	A	5/1981	Wayne	
D279,463	S	* 7/1985	Barr	D11/86
D319,604	S	9/1991	Peterson	
D335,471	S	* 5/1993	Coleman	D11/79
D355,388	S	2/1995	Barrow	
D358,787	S	5/1995	Crane	
D386,440	S	* 11/1997	Napper	D11/43
D394,413	S	* 5/1998	Barnes	D11/81
D394,824	S	6/1998	Itzkowitz	
6,324,868	B1	12/2001	Chen et al.	
2002/0134107	A1	9/2002	Meguro	
2002/0148252	A1	10/2002	Fernandes	

**OTHER PUBLICATIONS**

Website of Gioie.it; website homepage: www.gioie.it (product description=Ladies' Necklace in White 18-karat Gold with White Cubic Zirconia Product No. 1228805/1).

Website of Gioie.it; website homepage: www.gioie.it (product description=Ladies' Necklace in White 18-karat Gold with White Cubic Zirconia Product No. 1229205/1).

Website of Gioie.it; website homepage: www.gioie.it (product description=Ladies' Necklace in White 18-karat Gold with White Cubic Zirconia Product No. 1229005/1).

Website of Kay Jewelers; website homepage: www.kay.com (product description=Three-Stone Diamond Necklace Product No. 171030606).

Website of Kay Jewelers; website homepage: www.kay.com (product description=Three-Stone Diamond Pendant Product No. 170970901).

Website of Kay Jewelers; website homepage: www.kay.com (product description=Three-Stone Diamond Pendant Product No. 170971307).

Website of Kay Jewelers; website homepage: www.kay.com (product description=Three-Stone Diamond Necklace Product No. 171030808).

(List continued on next page.)

*Primary Examiner*—Ralf Seifert

(74) *Attorney, Agent, or Firm*—Barnes & Thornburg

(57) **CLAIM**

What is claimed is the ornamental design for a multiple jewel-shaped necklace with pear-shaped gemstone, as shown and described.

**DESCRIPTION**

FIG. 1 is a perspective view of a multiple jewel-shaped necklace with a chain shown in broken line;

FIG. 2 is a front view thereof with the chain shown in broken line;

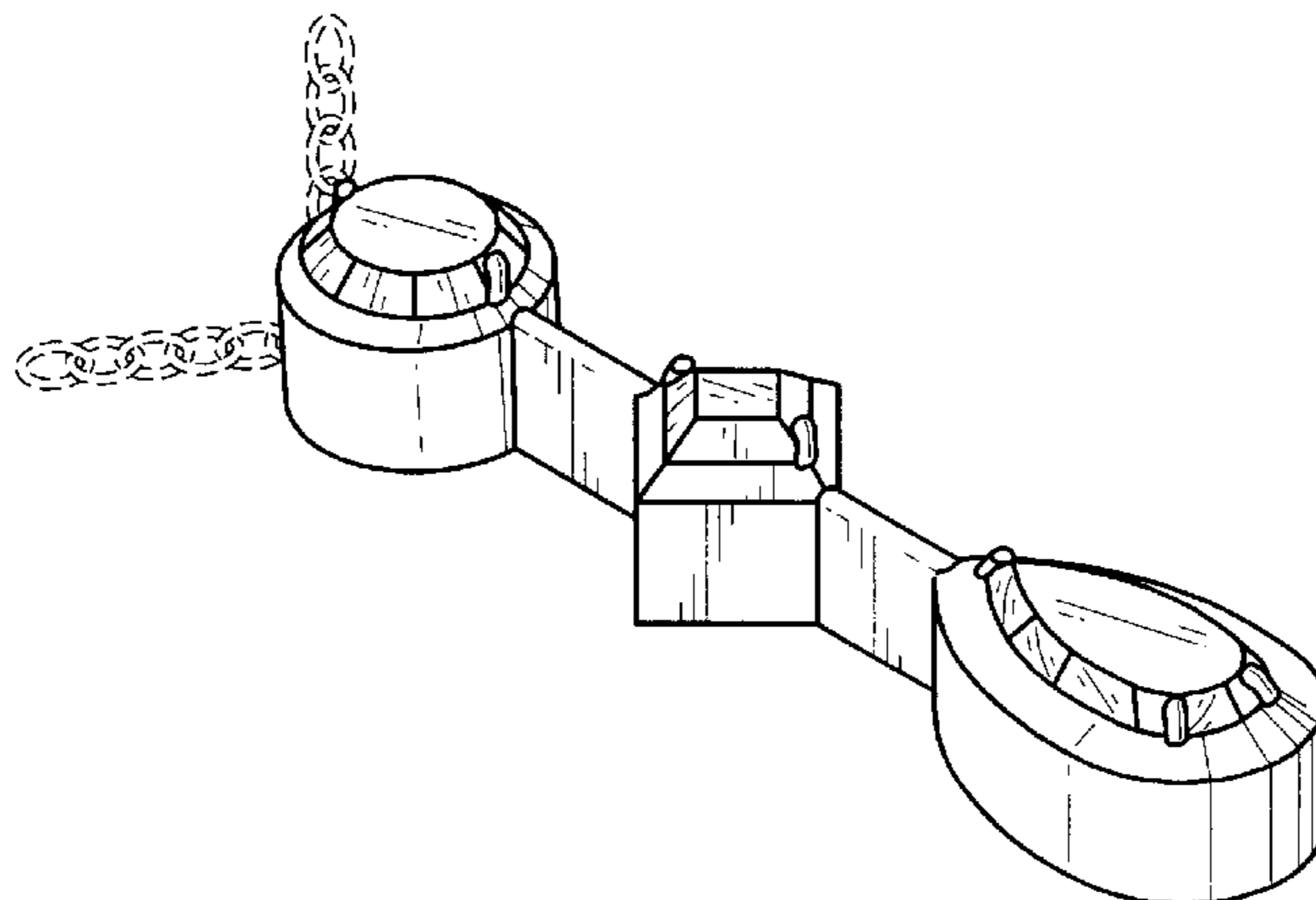
FIG. 3 is a left side view thereof with the chain shown in broken line, the right side view is not shown as it is a mirror image of the left side view;

FIG. 4 is a top view thereof with the chain shown in broken line; and,

FIG. 5 is a bottom view thereof with the chain shown in broken line.

The broken lines are shown in the views for illustrative purposes only and form no part of the claimed invention.

**1 Claim, 1 Drawing Sheet**



OTHER PUBLICATIONS

Website of Kay Jewelers; website homepage: [www.kay.com](http://www.kay.com) (product description=1/2 Carat t.w. Three-Stone Diamond Necklace Product No. 171092000).

Website of Kay Jewelers; website homepage: [www.kay.com](http://www.kay.com) (product description=1/2 Carat t.w. Three-Stone Diamond Necklace Product No. 171088002).

Website of Kay Jewelers; website homepage: [www.kay.com](http://www.kay.com) (product description=1 Carat Total Weight Three-Stone Diamond Necklace Product No. 171087909).

Website of Kay Jewelers; website homepage: [www.kay.com](http://www.kay.com) (product description=1 Carat t.w. Three-Stone Diamond Necklace Product No. 17187808).

Website of Kay Jewelers; website homepage: [www.kay.com](http://www.kay.com) (product description=1 Carat t.w. Three-Stone Diamond Pendant Product No. 171092202).

Website of Kay Jewelers; website homepage: [www.kay.com](http://www.kay.com) (product description=The Leo Diamond™ Three-Stone Pendant Product No. 170964403).

\* cited by examiner

