



US00D485776S

(12) **United States Design Patent**
Martin et al.

(10) **Patent No.:** **US D485,776 S**

(45) **Date of Patent:** **** Jan. 27, 2004**

(54) **PORTION OF A WATCH HOUSING**

(75) Inventors: **Jason P. Martin**, Portland, OR (US);
Scott Wilson, Portland, OR (US)

(73) Assignee: **Nike, Inc.**, Beaverton, OR (US)

(**) Term: **14 Years**

(21) Appl. No.: **29/182,116**

(22) Filed: **May 21, 2003**

(51) **LOC (7) Cl.** **10-07**

(52) **U.S. Cl.** **D10/128**

(58) **Field of Search** D10/1-40, 122-132;
368/280-282, 276-277, 285, 294-295,
239-242

(56) **References Cited**

U.S. PATENT DOCUMENTS

1,438,964 A	*	12/1922	Milne	368/316
D315,512 S		3/1991	Houlihan		
D324,341 S		3/1992	Houlihan		
D379,320 S	*	5/1997	Campilan	D10/128
D383,396 S		9/1997	Houlihan		
D398,540 S		9/1998	Lee		
D418,442 S	*	1/2000	Yanku	D10/128
D430,808 S		9/2000	Hanagata		
D443,220 S	*	6/2001	Robinette	D10/128
D443,545 S	*	6/2001	Tu	D10/128
D445,712 S	*	7/2001	Tu	D10/128
D451,955 S		12/2001	Hanagata		

OTHER PUBLICATIONS

Spring 2002 Catalog Nike Time Ware, p. 8, published Oct. 2001.

Spring 2002 Catalog Nike Time Ware, p. 24, published Oct. 2001.

Swiss Army Website, Startech 3000, published prior to the filing of the application.

* cited by examiner

Primary Examiner—Nelson C. Holtje

(74) *Attorney, Agent, or Firm*—Banner & Witcoff, Ltd.

(57) **CLAIM**

The ornamental design for a portion of a watch housing, as shown and described.

DESCRIPTION

FIG. 1 is a front view of a portion of a watch showing our new design;

FIG. 2 is a perspective view thereof;

FIG. 3 is a right side view thereof;

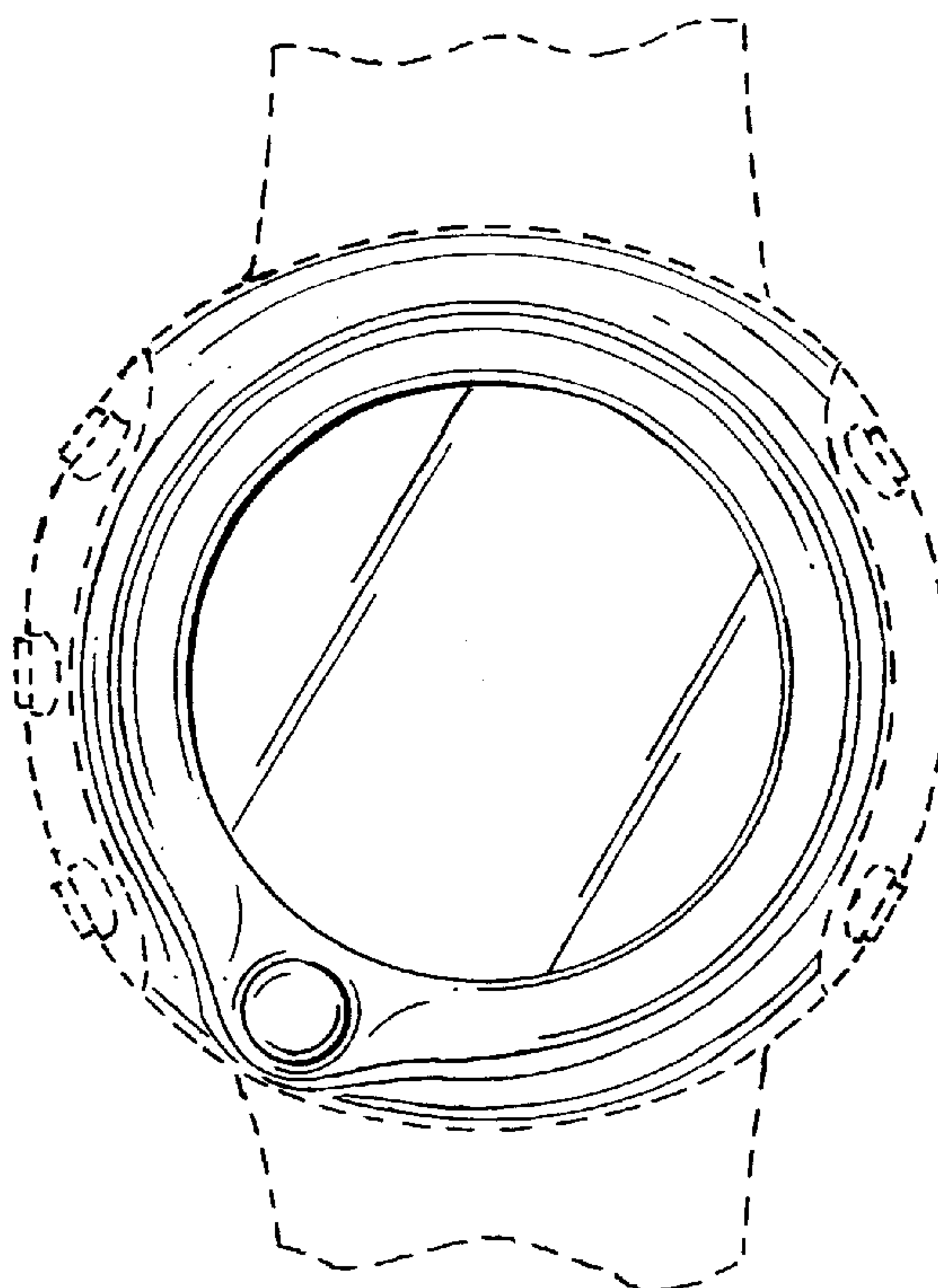
FIG. 4 is a left side view thereof;

FIG. 5 is a top view thereof; and,

FIG. 6 is a bottom view thereof.

The broken line showing the band, the side button regions and the unshaded area therewithin and the remainder of the watch is for illustrative purposes only and forms no part of the claimed design. The unshown back of the watch housing forms no part of the claimed design.

1 Claim, 2 Drawing Sheets



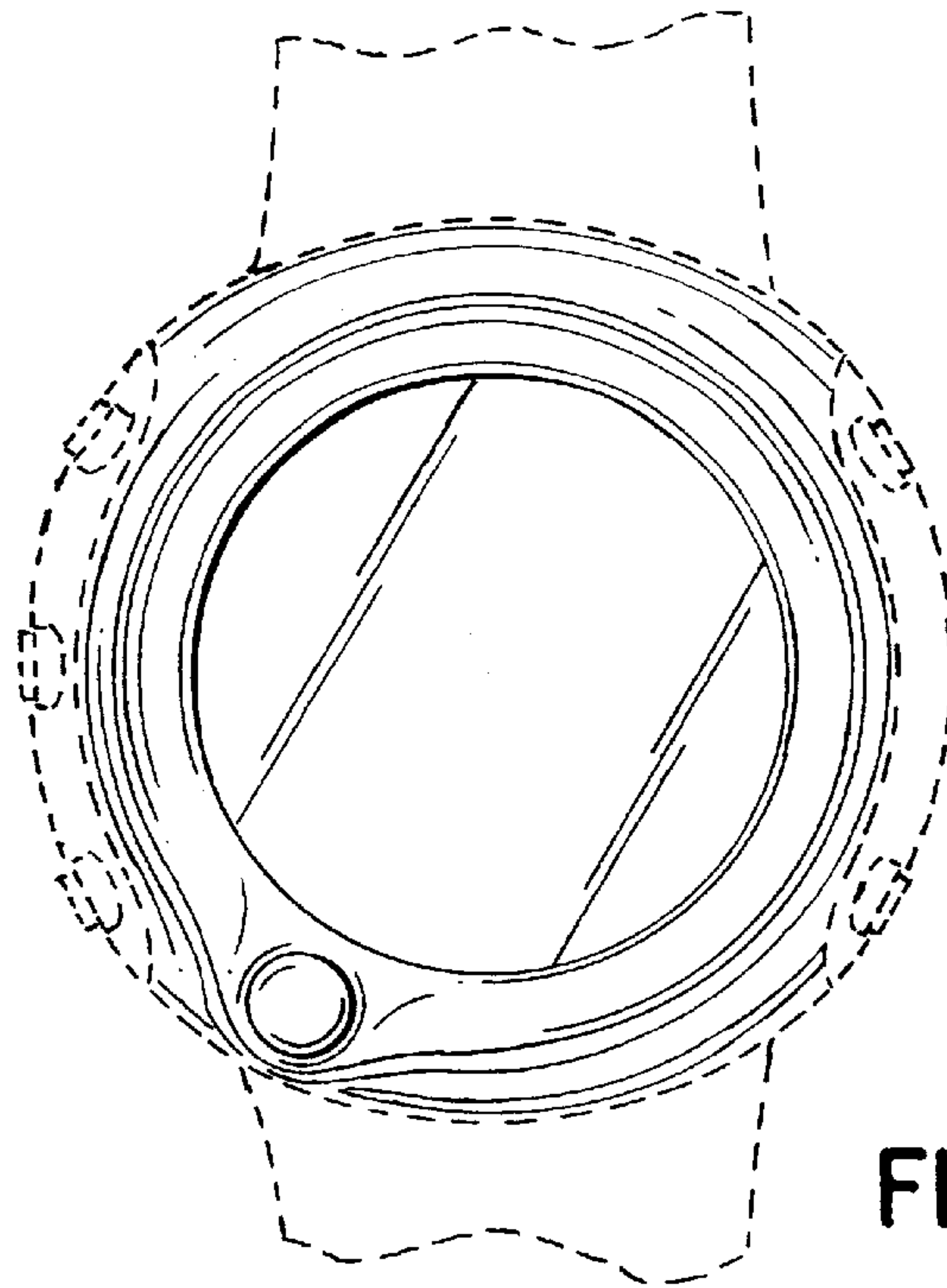


FIG. 1

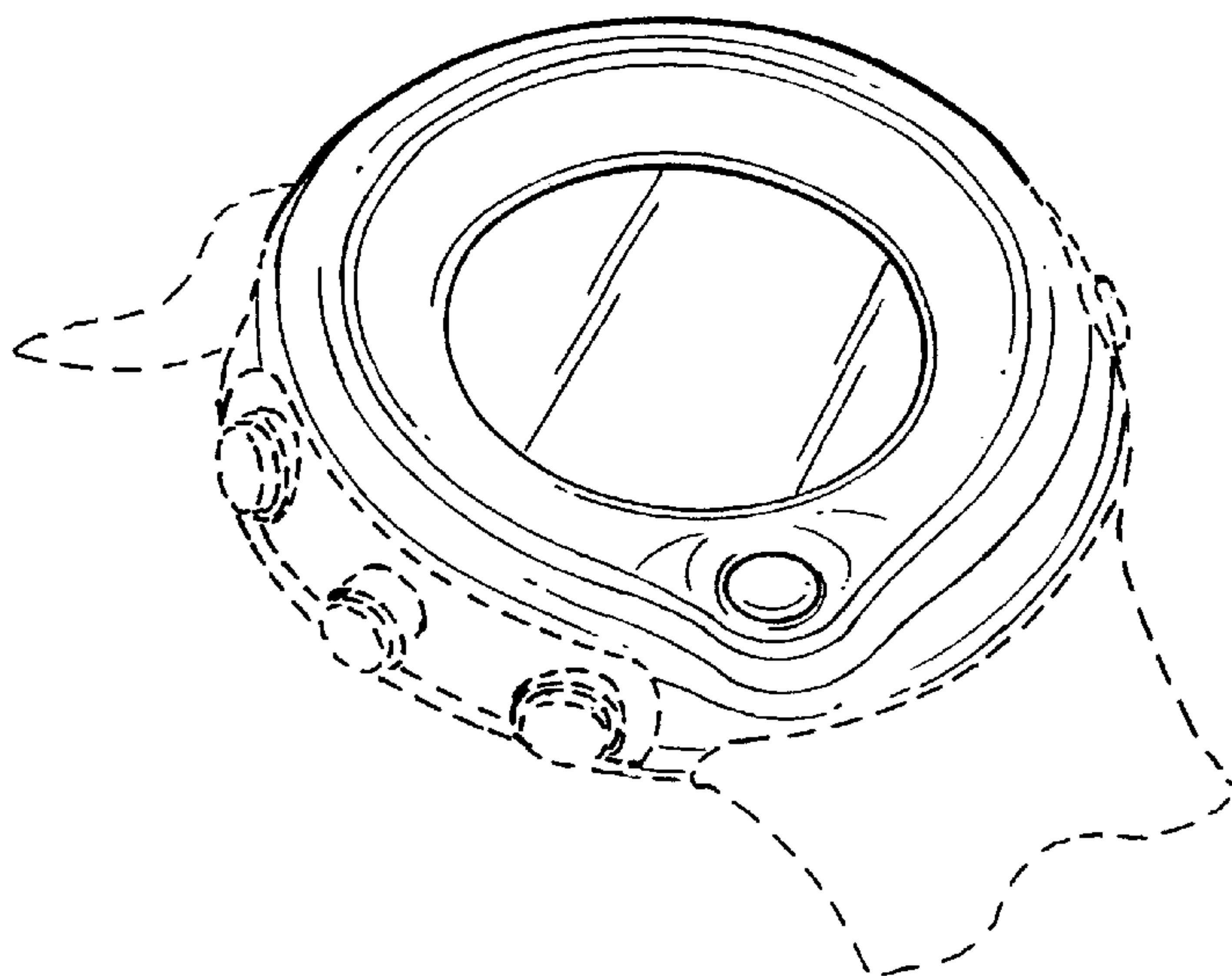


FIG. 2

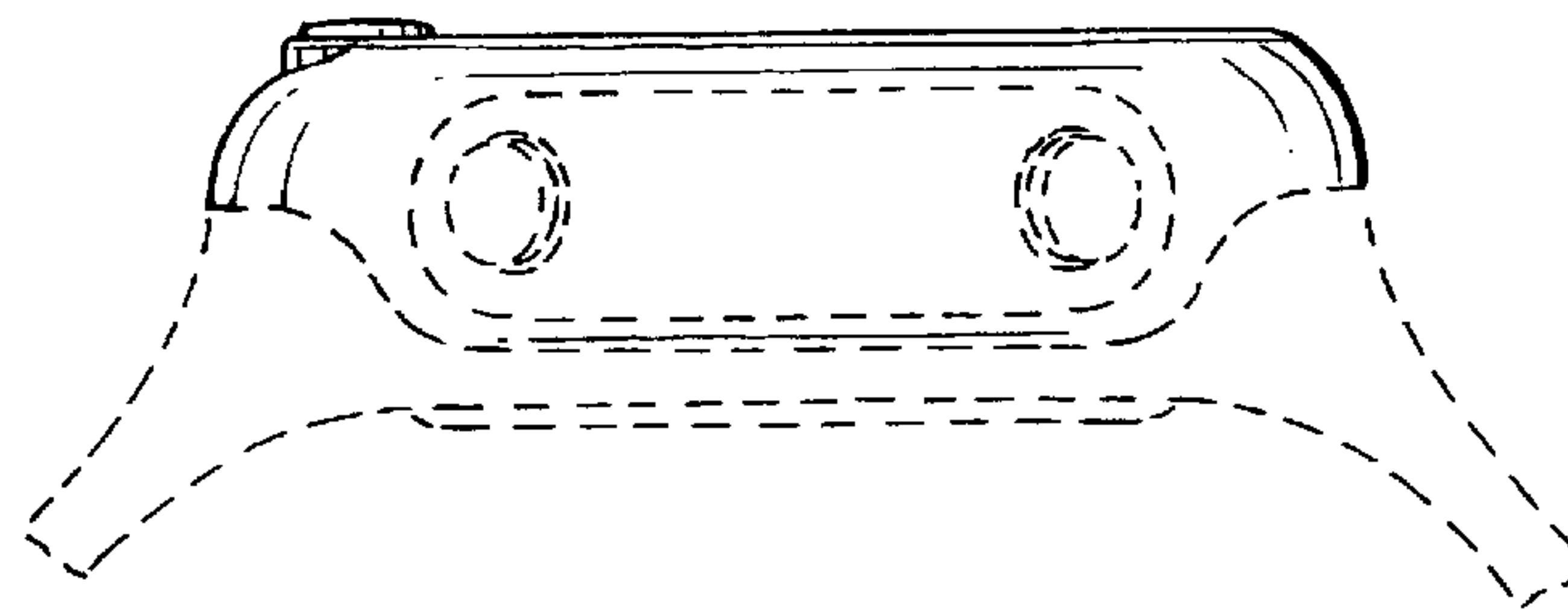


FIG. 3

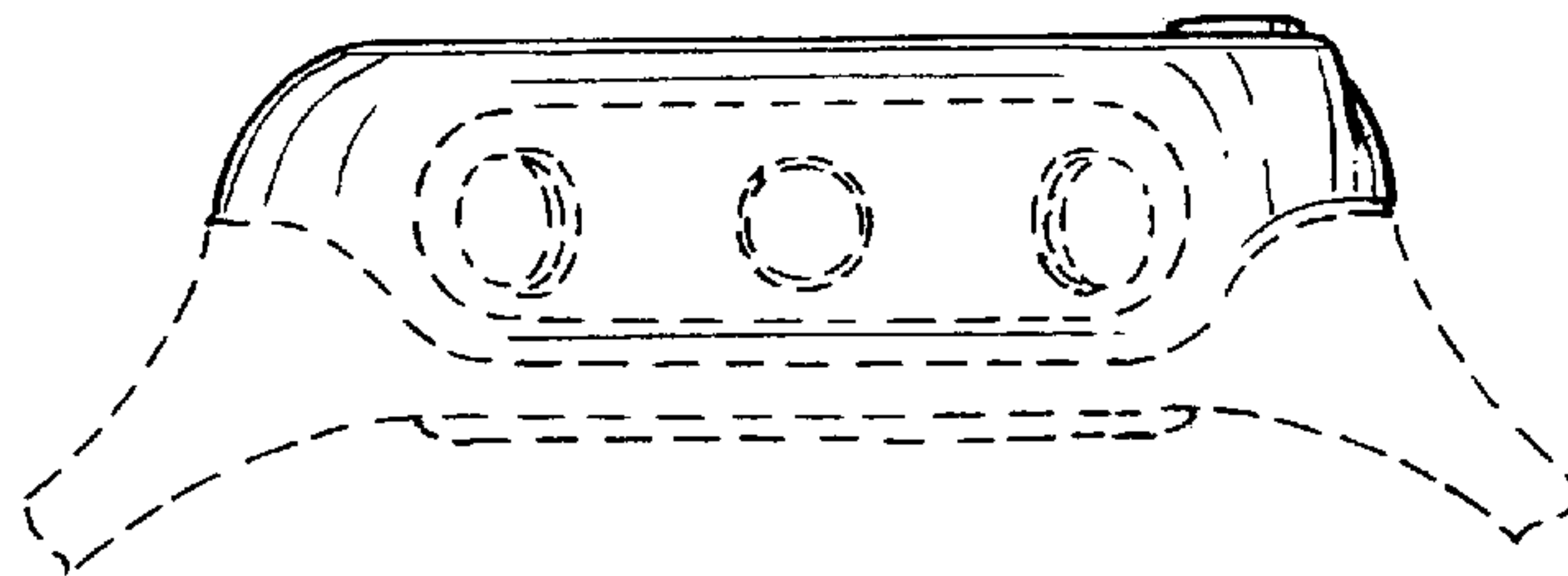


FIG. 4

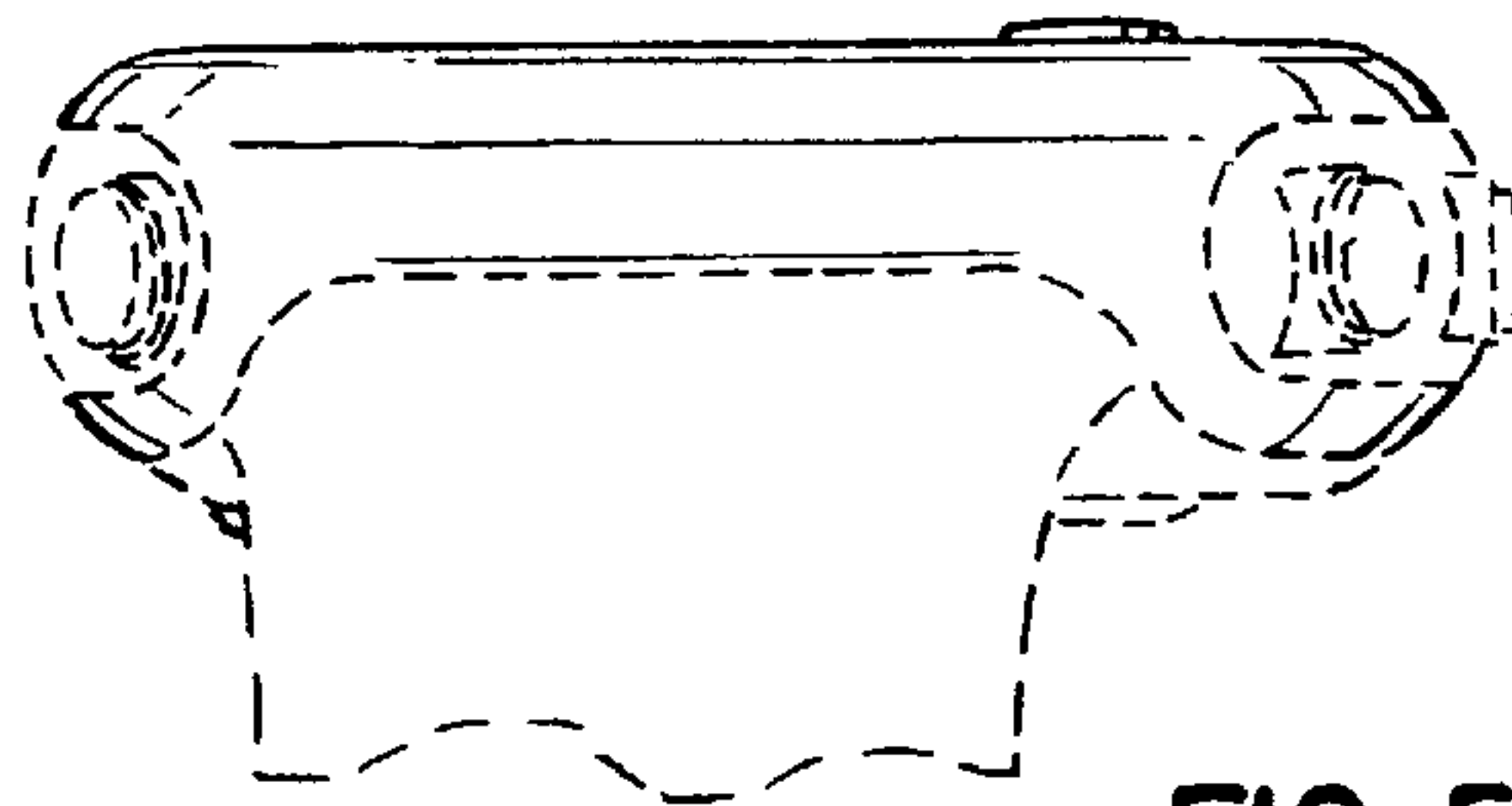


FIG. 5

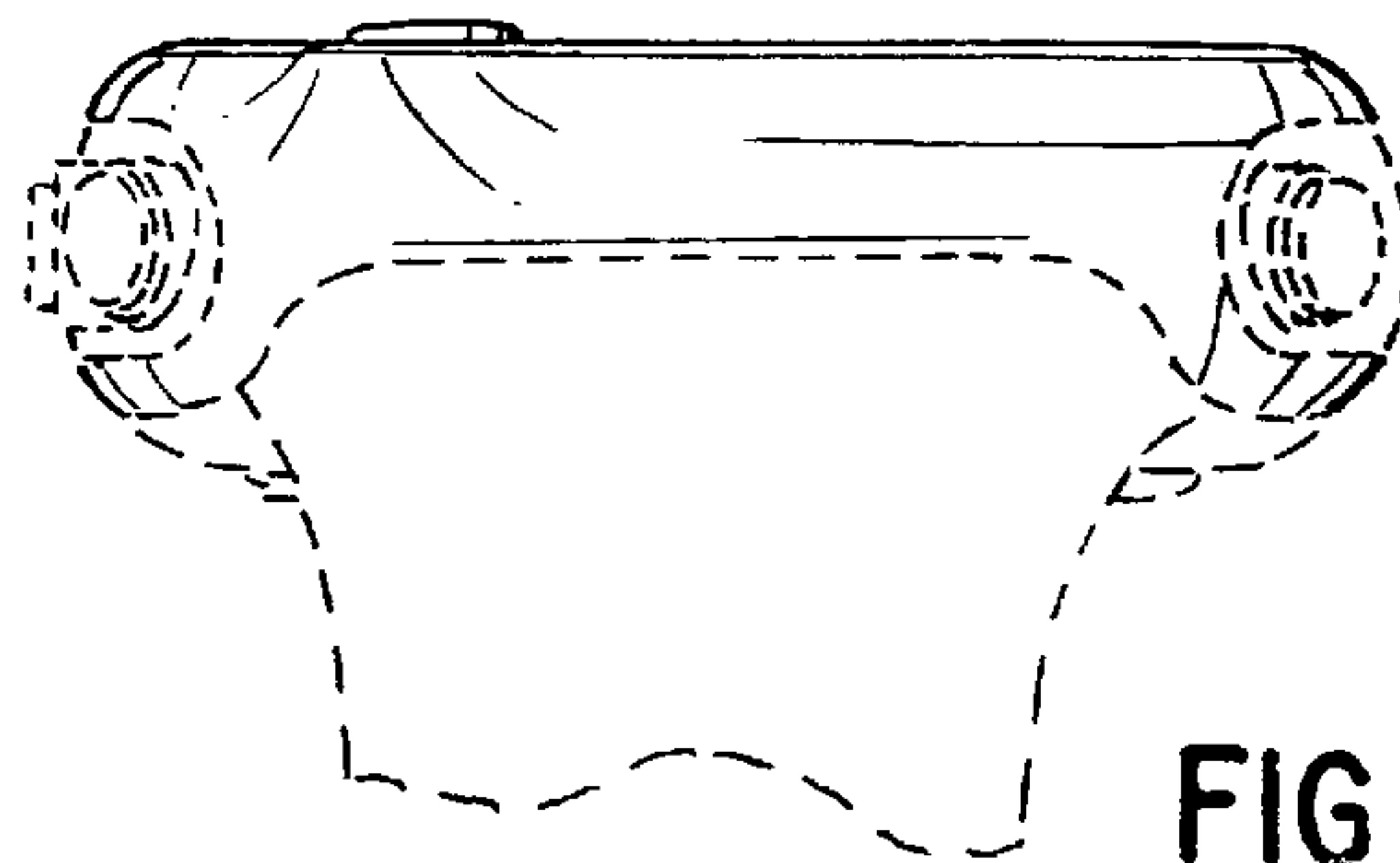


FIG. 6