



US00D485771S

(12) **United States Design Patent**
Ribeiro

(10) **Patent No.:** **US D485,771 S**

(45) **Date of Patent:** **** Jan. 27, 2004**

(54) **GAS ANALYZER**

(75) Inventor: **Durval S. Ribeiro**, Owatonna, MN
(US)

(73) Assignee: **SPX Corporation**, Charlotte, NC (US)

(**) Term: **14 Years**

(21) Appl. No.: **29/168,127**

(22) Filed: **Sep. 27, 2002**

(51) **LOC (7) Cl.** **10-04**

(52) **U.S. Cl.** **D10/81; D10/96**

(58) **Field of Search** **D10/81, 96; 73/1.01-1.07,**
73/31.05, 116; 422/61-63, 83, 88-98, 104;
436/50

(56) **References Cited**

U.S. PATENT DOCUMENTS

D404,324 S * 1/1999 Seager et al. D10/81

* cited by examiner

Primary Examiner—Antoine Duval Davis

(74) *Attorney, Agent, or Firm*—Baker & Hostetler LLP

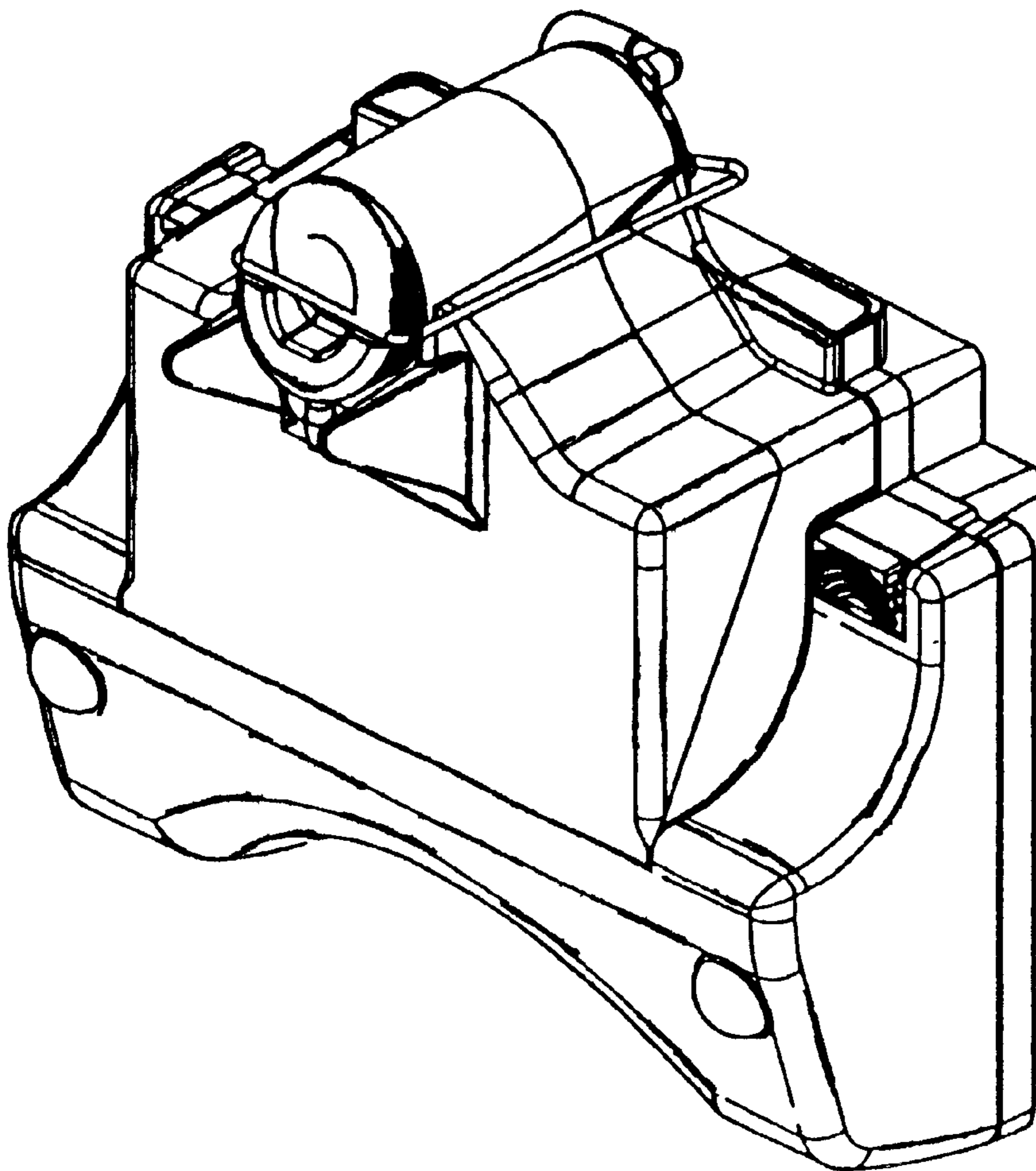
(57) **CLAIM**

The ornamental design for a gas analyzer, as shown and described.

DESCRIPTION

FIG. 1 is a top view of the gas analyzer;
FIG. 2 is a bottom view thereof;
FIG. 3 is a front view thereof;
FIG. 4 is a rear view thereof;
FIG. 5 is a left side view thereof;
FIG. 6 is a right side view thereof;
FIG. 7 is a top plan view thereof;
FIG. 8 is a bottom plan view thereof;
FIG. 9 is a top elevated view thereof; and,
FIG. 10 is a bottom elevate view thereof.

1 Claim, 10 Drawing Sheets



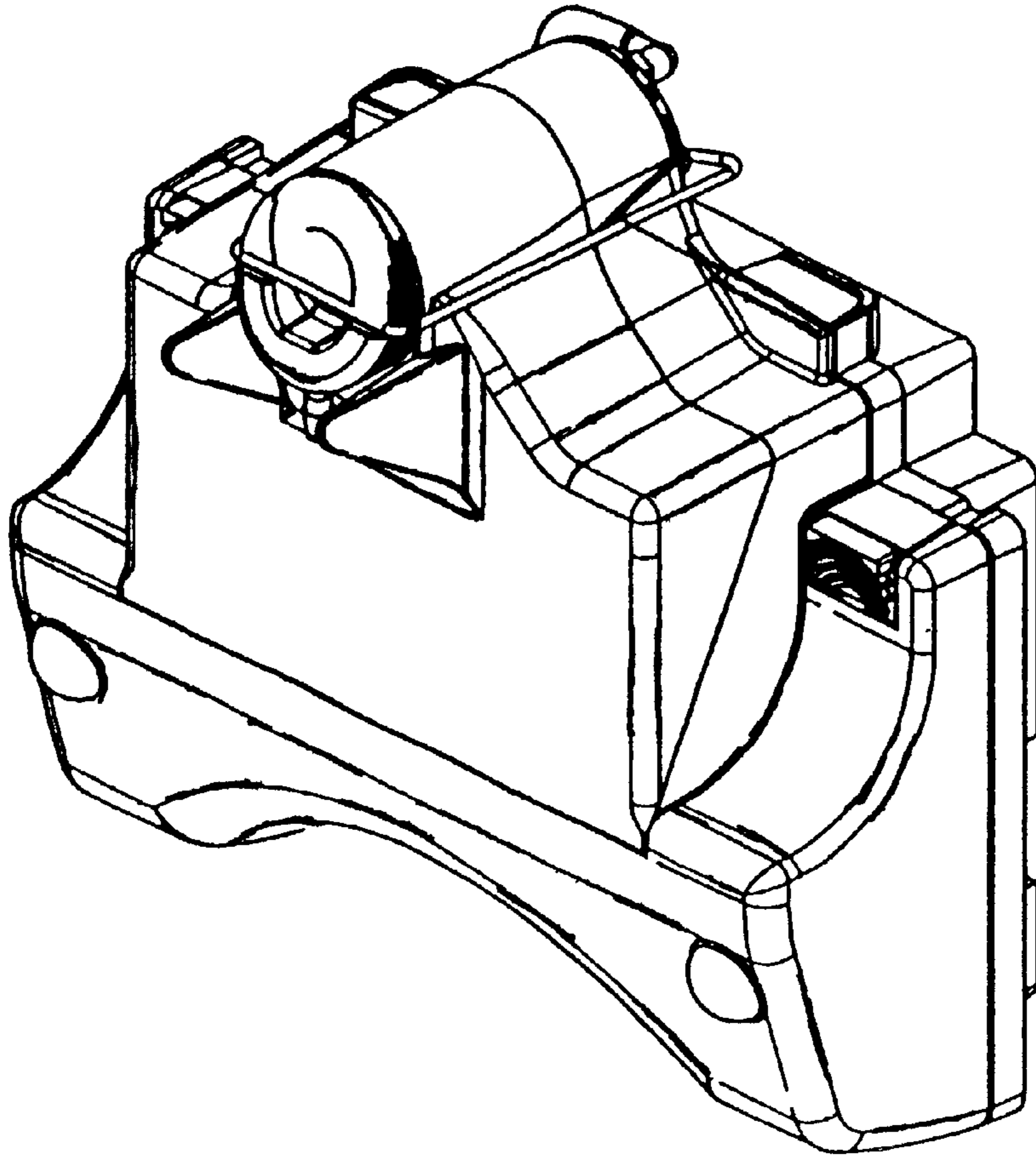


FIG. 1

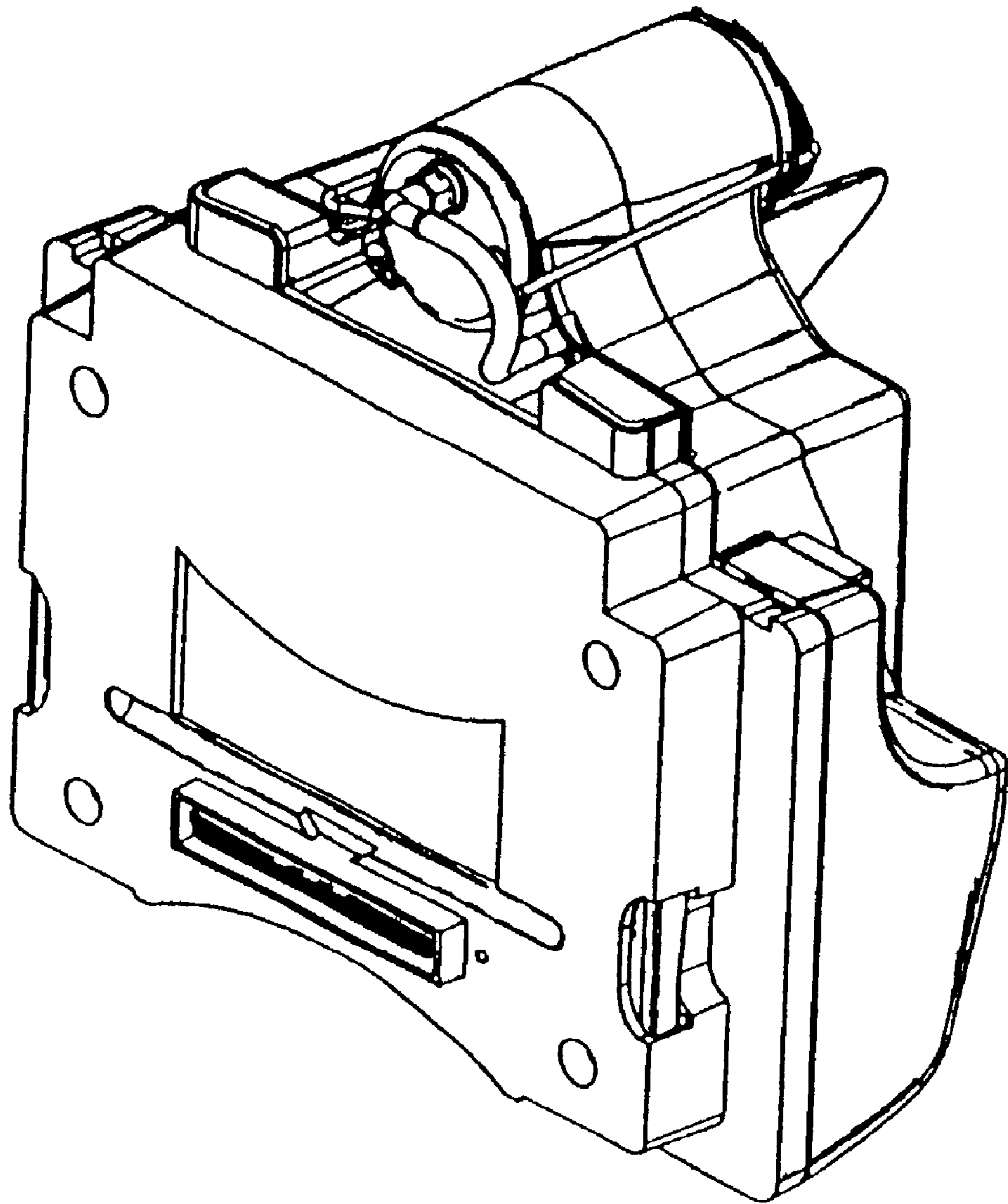


FIG. 2

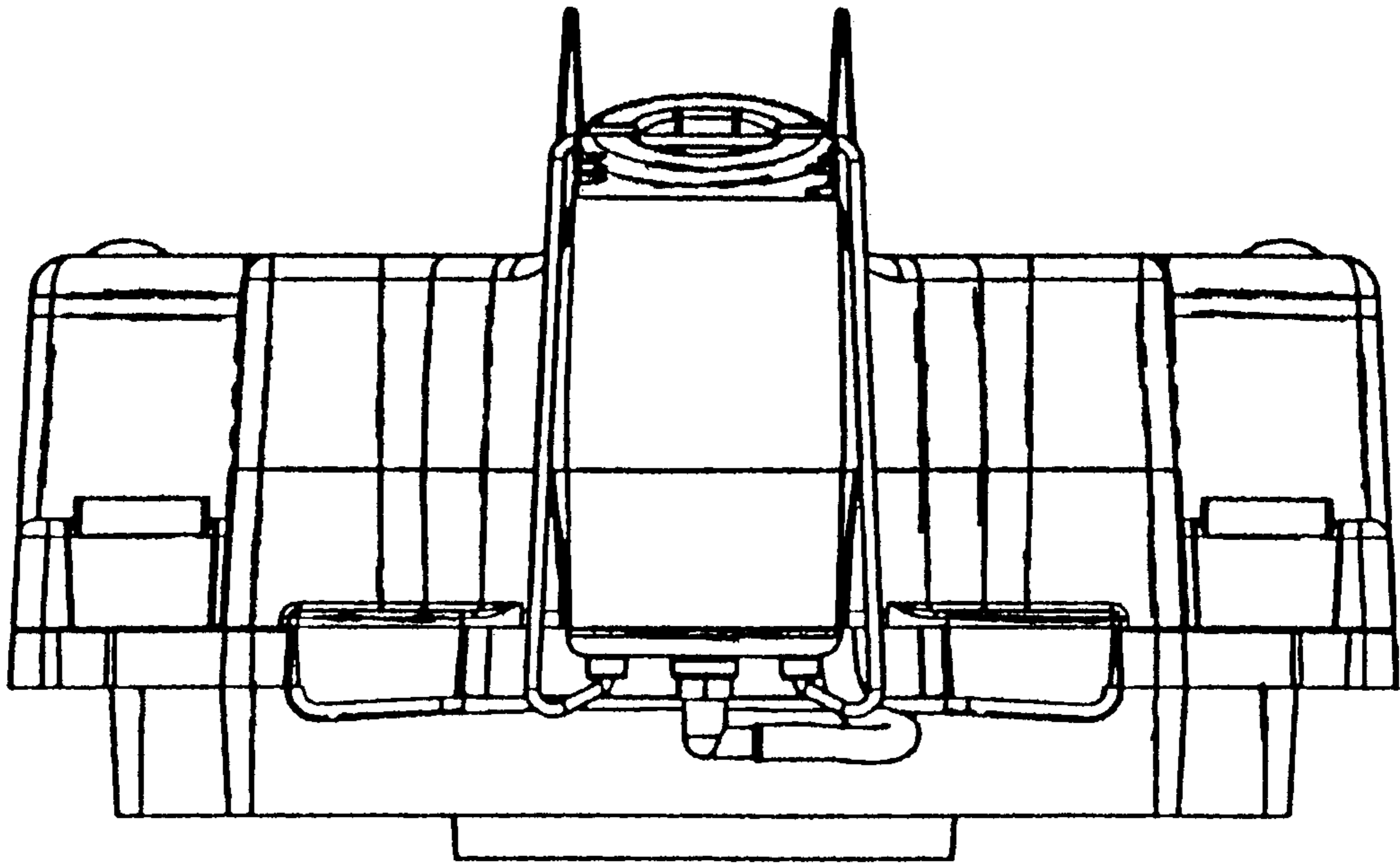


FIG. 3

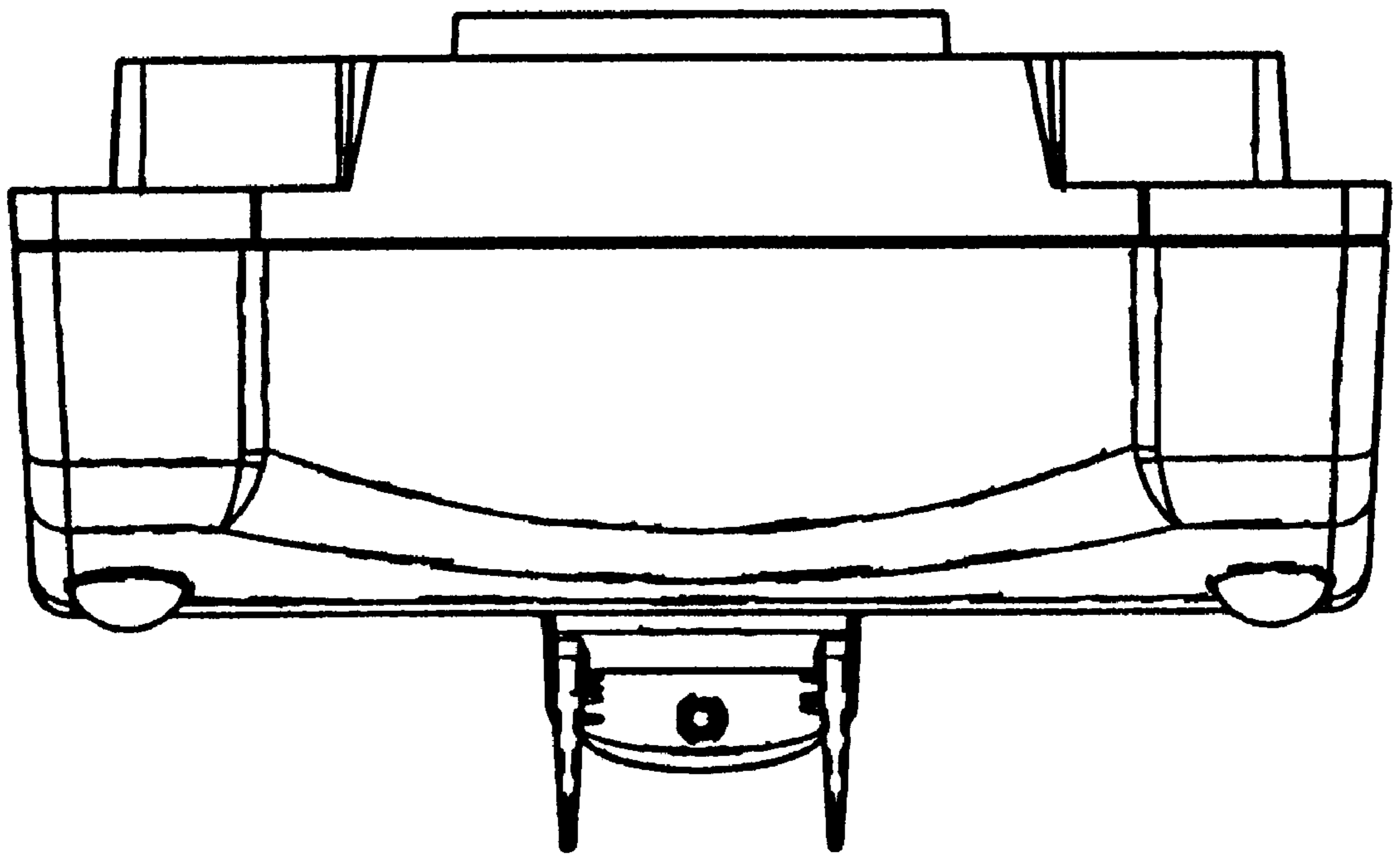


FIG. 4

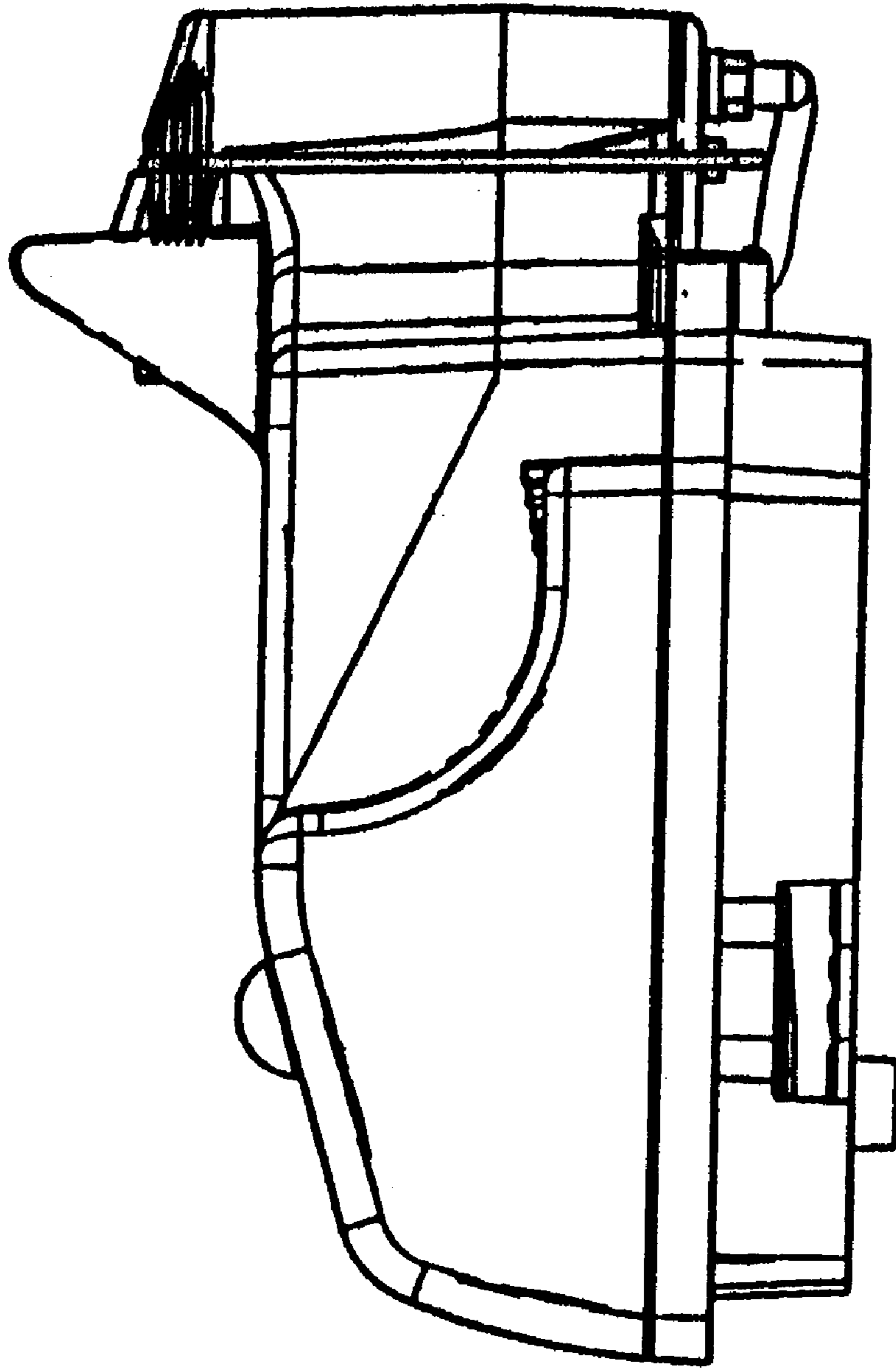


FIG. 5

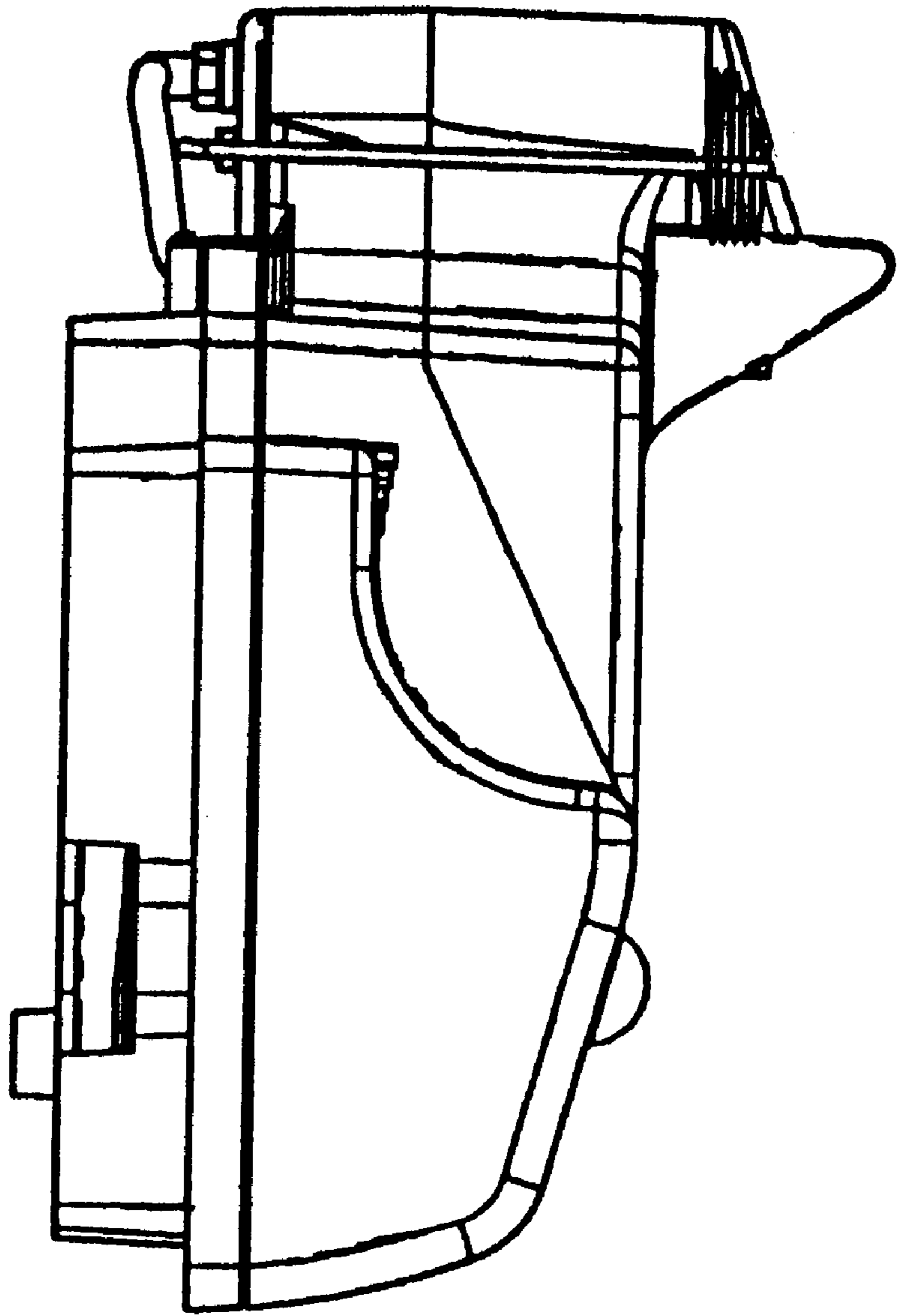


FIG. 6

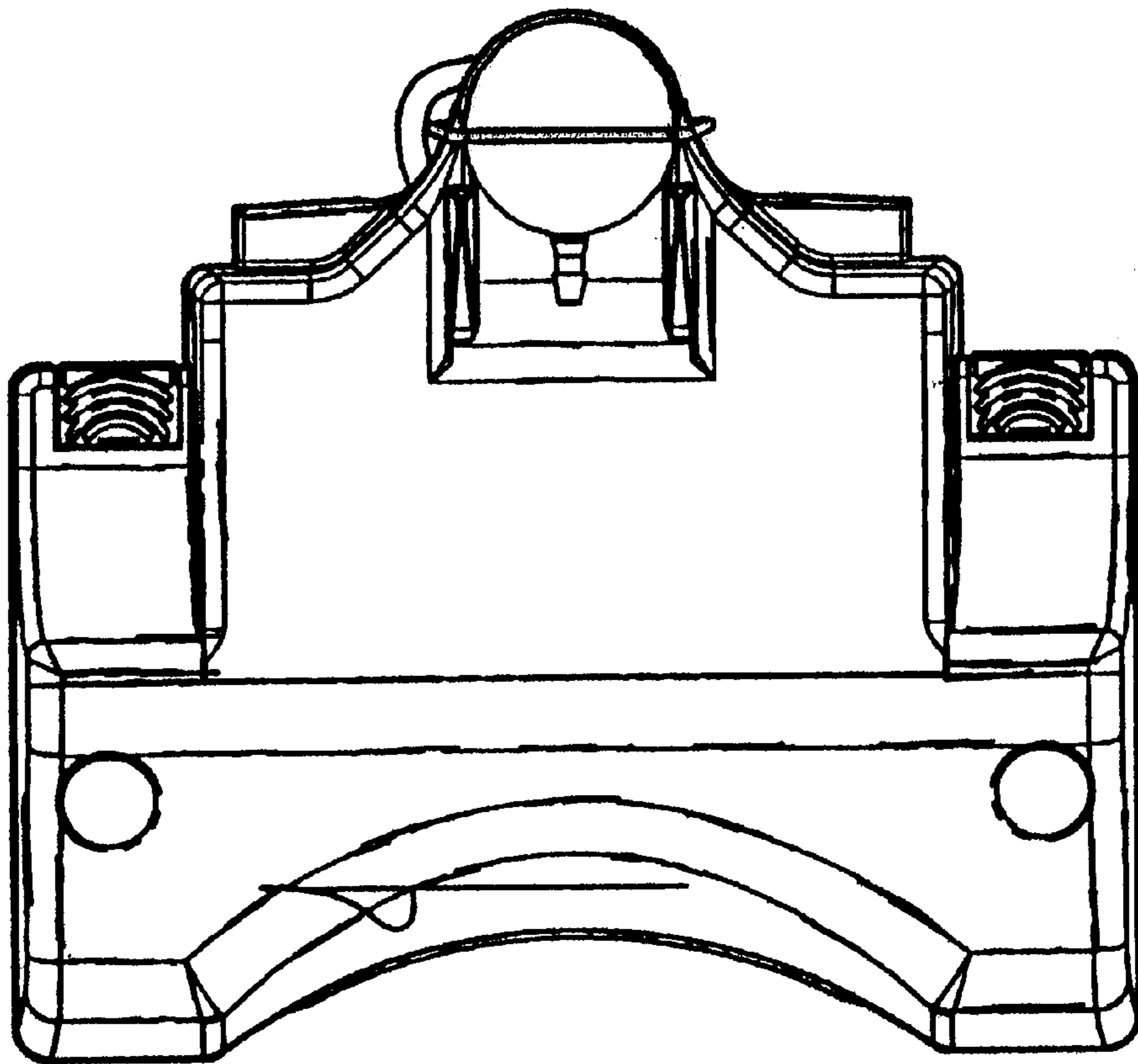


FIG. 7

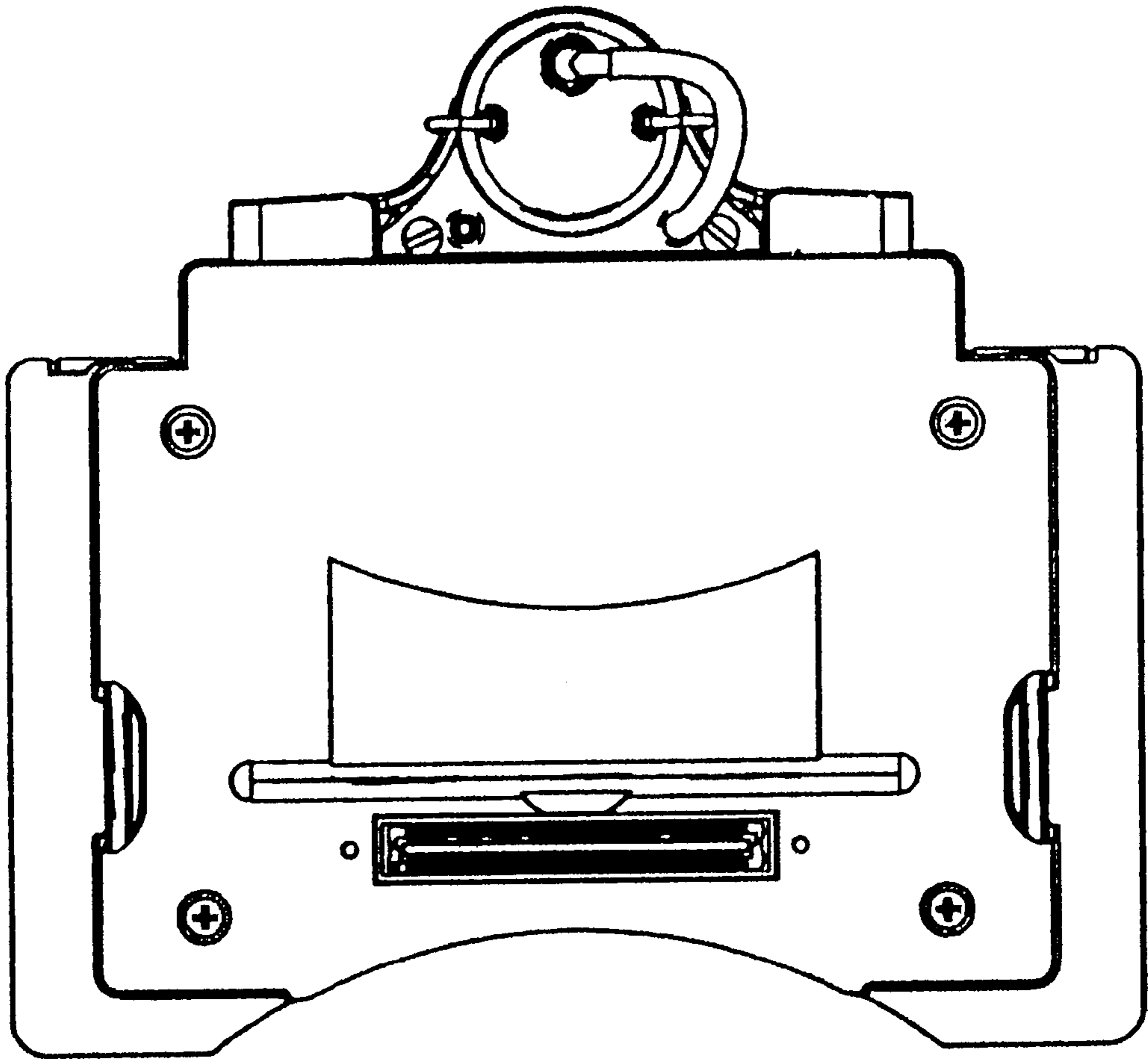


FIG. 8

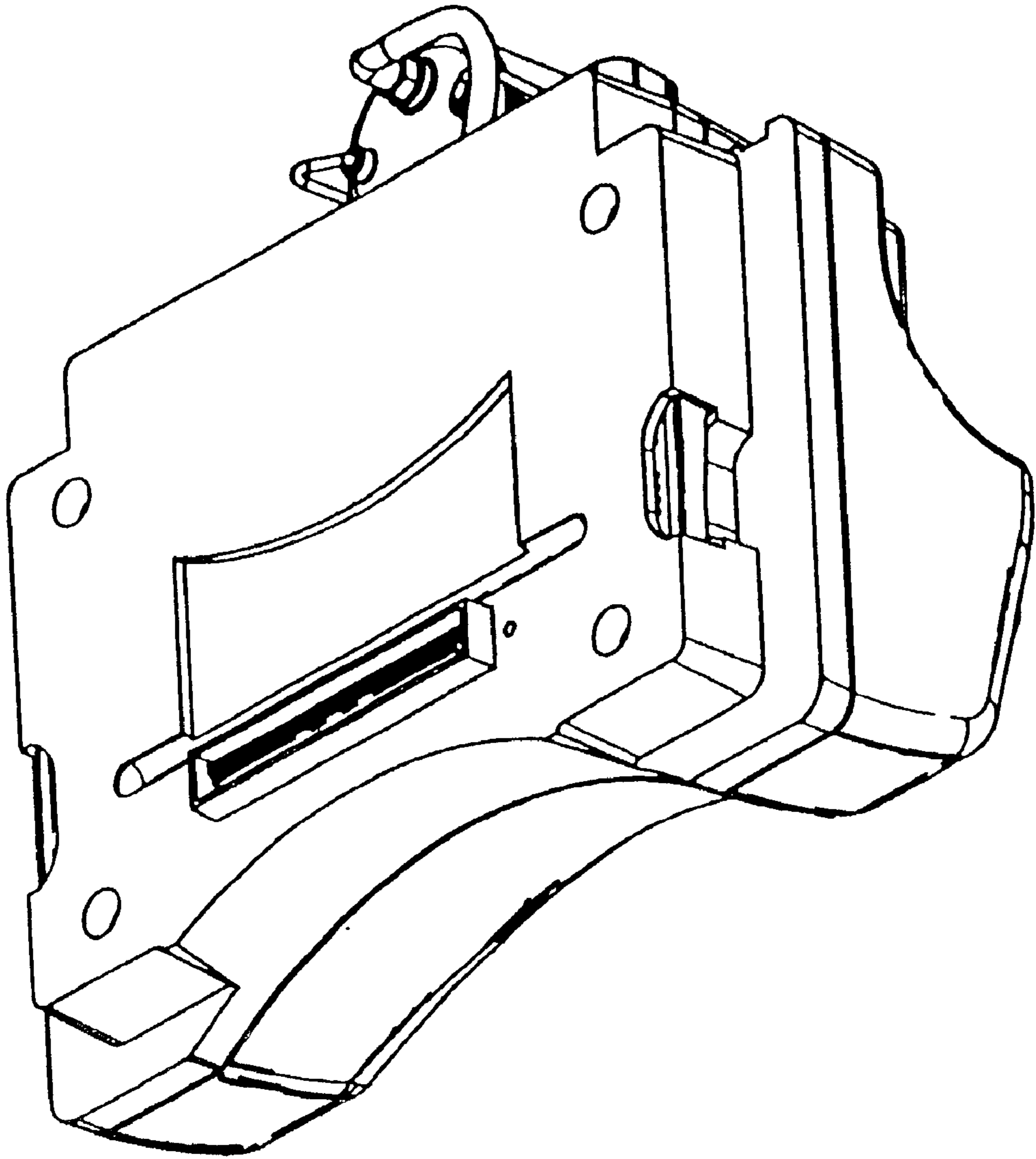


FIG. 9

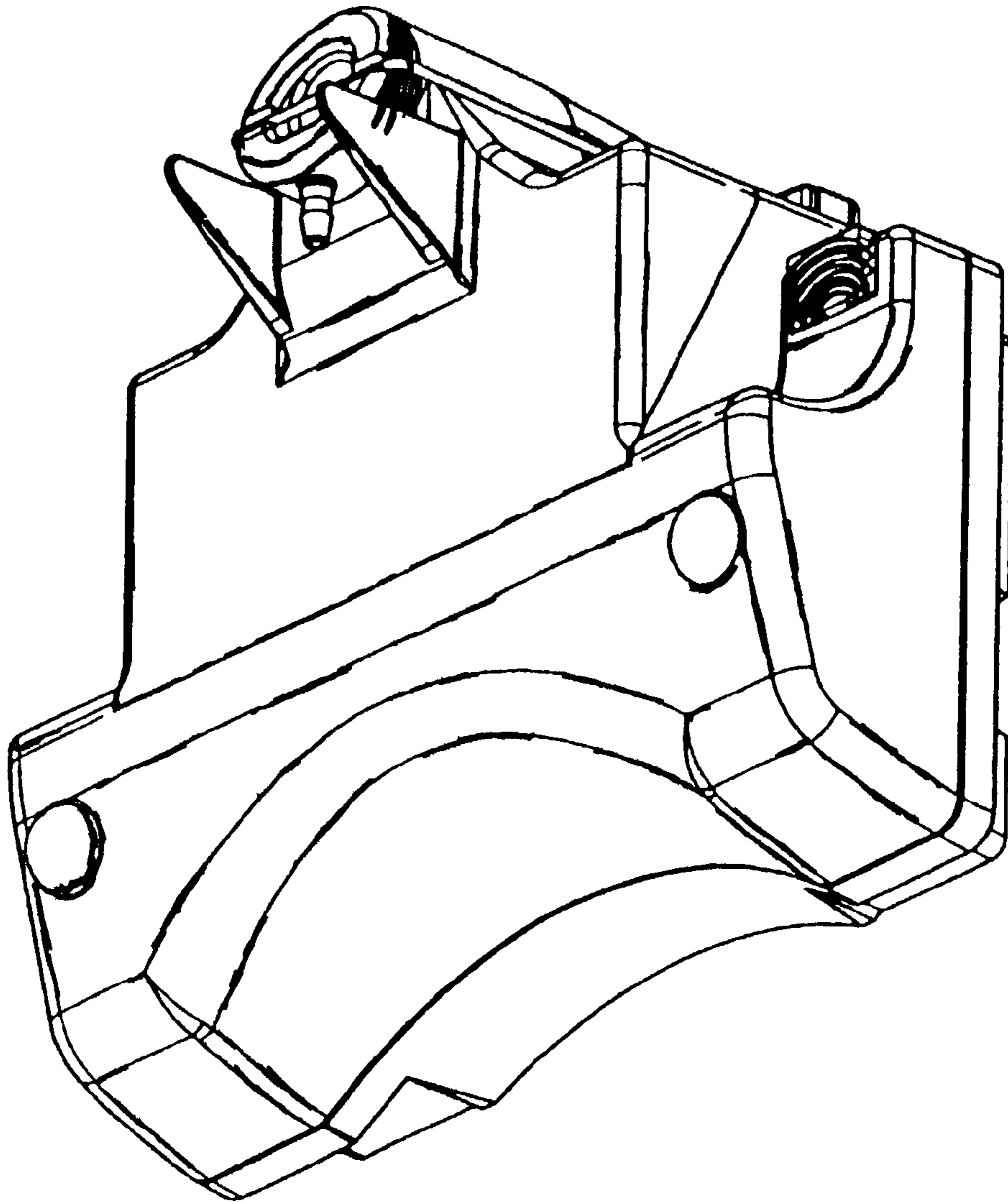


FIG. 10