



US00D485758S

(12) **United States Design Patent**
Clarke et al.

(10) **Patent No.:** **US D485,758 S**

(45) **Date of Patent:** **** Jan. 27, 2004**

(54) **CONTAINER LID**

(75) Inventors: **Brian Norman Clarke**, Huntingdon (GB); **Peter Robert Wills**, Huntingdon (GB); **Nigel Frank Taylor**, Huntingdon (GB)

(73) Assignee: **Solo Cup Company**, Highland Park, IL (US)

(**) Term: **14 Years**

(21) Appl. No.: **29/183,493**

(22) Filed: **Jun. 12, 2003**

Related U.S. Application Data

(62) Division of application No. 29/162,035, filed on Jun. 7, 2002, now Pat. No. Des. 476,891.

(51) **LOC (7) Cl.** **09-07**

(52) **U.S. Cl.** **D9/447; D9/454; D9/449**

(58) **Field of Search** D9/434, 435, 438, D9/447, 450, 449, 454; D7/511; 220/200, 254, 306, 307, 711, 713, 719, 380, 90.4; 215/200, 307, 316, 317, 324, 387

(56) **References Cited**

U.S. PATENT DOCUMENTS

1,237,228 A	8/1917	Westover	
1,725,393 A	8/1929		
1,896,976 A	2/1933	Schifferdecker	
2,121,554 A	6/1938	Thorn	221/64
3,031,111 A	4/1962	Stull	222/541
3,083,861 A	4/1963	Amberg et al.	220/44
3,188,036 A	6/1965	Sprung	248/205
3,193,130 A	7/1965	Miller	220/44
3,262,612 A	7/1966	Tabor	222/484
3,326,401 A	6/1967	De Long	215/38
		Cone	

(List continued on next page.)

FOREIGN PATENT DOCUMENTS

CH 393 955 11/1965

DE	295 02 654	8/1995
EP	0 383 442 A1	8/1990
GB	1 600 917	10/1981
JP	07-390379	11/1995
JP	200-159254	6/2000
WO	WO 99 47429	9/1999
WO	WO 00 51908	9/2000

OTHER PUBLICATIONS

US 6,003,721, 12/1999, Fleming (withdrawn)
Berrington, N., *International Search Report*, Sep. 4, 2002, 6 pp., Patent Cooperation Treaty, Rijswijk, Netherlands.
Copy of photograph of Super America Cup/Lid obtained through market research, Apr. 2000.
Copy of photograph of Dunkin Donuts Cup/Lid obtained through market research, Apr. 2000.

Primary Examiner—Ian Simmons
Assistant Examiner—Gregory Andoll
(74) *Attorney, Agent, or Firm*—Wallenstein Wagner & Rockey, Ltd.

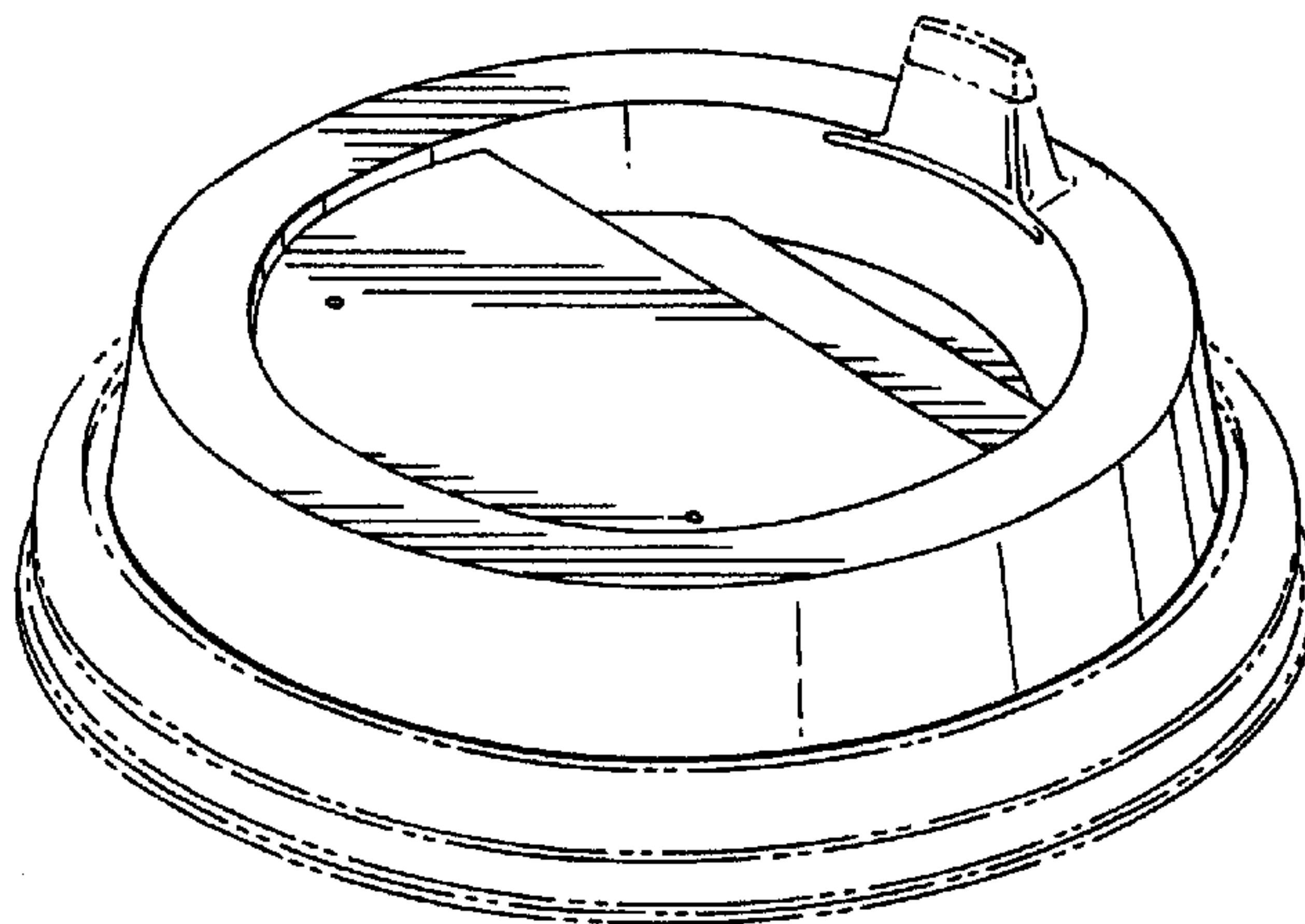
(57) **CLAIM**

The ornamental design for a container lid, as shown and described.

DESCRIPTION

FIG. 1 is a perspective view of the container lid of the invention.
FIG. 2 is a perspective view of the container lid of FIG. 1 showing the invention in an alternate position;
FIG. 3 is a side view of the container lid of FIG. 1;
FIG. 4 is a side view of the container lid of FIG. 1;
FIG. 5 is a top plan view of the container lid of FIG. 1;
FIG. 6 is a bottom plan view of the container lid of FIG. 1; and,
FIG. 7 is a sectional view of the container lid of FIG. 1 taken along line 7—7 of FIG. 5.
Broken lines in the figures are for illustrative purposes only and form no part of the claimed design.

1 Claim, 2 Drawing Sheets



US D485,758 S

3,459,324 A	8/1969	Miller	220/44	5,058,778 A	10/1991	Weinstein	220/209
3,690,514 A	9/1972	Wilson	222/81	5,111,961 A	5/1992	Van Melle	220/712
3,805,991 A	4/1974	Cheladze et al.	220/44	5,148,936 A	9/1992	DeGrow	220/254
3,874,580 A	4/1975	Weatherhead, III	229/5.5	5,167,338 A	12/1992	Kick	220/253
4,091,956 A	5/1978	Vecchio	220/231	5,180,073 A	1/1993	Fay et al.	215/161
4,138,033 A	2/1979	Payne et al.	220/254	5,183,172 A	2/1993	Boller	220/270
4,141,461 A	2/1979	LaChance	220/253	5,193,704 A	3/1993	Kick	220/253
4,183,443 A	1/1980	DeParales et al.	220/90.4	5,197,624 A	3/1993	Doddaro	220/254
4,188,457 A	2/1980	Throp	428/542	5,205,430 A	4/1993	Valyi	220/278
4,203,527 A	5/1980	LaChance, Sr.	220/253	D346,718 S	5/1994	Timmermans	D7/392.1
4,331,255 A	5/1982	Fournier	220/259	5,395,006 A	3/1995	Verma	220/371
4,333,583 A	6/1982	Montemarano	220/90.4	5,398,843 A	3/1995	Warden et al.	220/711
4,345,695 A	8/1982	Galloway et al.	220/254	5,415,312 A	5/1995	Mueller	220/254
4,347,946 A	9/1982	Nichols	220/375	5,421,472 A	6/1995	Beckertgis	220/253
4,350,260 A	9/1982	Prueher	220/254	5,449,085 A	9/1995	Brun, Jr.	220/253
4,361,249 A	11/1982	Tuneski et al.	220/254	5,485,938 A	1/1996	Boersma	220/714
4,420,092 A	12/1983	Finkelstein	220/254	5,490,609 A	2/1996	Lane et al.	220/712
4,441,624 A	4/1984	Sokolowski	220/254	5,495,941 A	3/1996	Leonard	206/366
4,449,640 A	5/1984	Finkelstein	220/270	5,497,920 A	3/1996	Moeller et al.	224/36
4,478,346 A	10/1984	Spong	220/90.2	5,503,289 A	4/1996	Fox	220/254
4,503,992 A	3/1985	Sitko et al.	220/90.4	5,503,662 A	4/1996	Berger	96/108
4,557,398 A	12/1985	Hambleton et al.	220/270	5,588,561 A	12/1996	Ness	222/129
4,570,817 A	2/1986	Hambleton et al.	220/345	5,613,619 A	3/1997	Van Melle	220/712
4,579,245 A	4/1986	Narushko	220/253	5,699,927 A	12/1997	Lane et al.	220/254
4,589,569 A *	5/1986	Clements	220/380	5,706,972 A	1/1998	Sousa	220/714
4,598,837 A	7/1986	Kreiseder et al.	220/253	5,718,353 A	2/1998	Kanfer et al.	221/63
D285,416 S *	9/1986	Dart et al.	D9/438	5,727,707 A	3/1998	Wickland et al.	220/288
4,619,372 A	10/1986	McFarland	220/90.4	5,766,660 A	6/1998	Lee et al.	426/118
4,629,088 A	12/1986	Durgin	220/254	5,775,205 A	7/1998	Melton	99/322
4,657,139 A	4/1987	Hanifl	220/336	5,839,601 A	11/1998	Van Melle	220/712
4,703,873 A	11/1987	Geren	222/192	5,866,184 A	2/1999	Gorlich et al.	426/396
4,705,197 A	11/1987	Gordon et al.	206/604	5,873,298 A	2/1999	Chang	99/340
4,718,570 A	1/1988	Diener	220/253	5,911,331 A *	6/1999	Boller	220/254
4,738,373 A	4/1988	DeParales	220/254	5,913,964 A	6/1999	Melton	99/322
4,741,450 A	5/1988	Braude	220/90.4	5,947,319 A	9/1999	Sinski	220/318
4,747,511 A	5/1988	Dutt et al.	220/307	5,947,323 A	9/1999	Freek et al.	220/709
4,770,325 A	9/1988	Gordon et al.	222/481	5,954,241 A	9/1999	Huang	222/548
4,782,975 A *	11/1988	Coy	220/90.4	5,979,689 A	11/1999	Lansky	220/255
4,790,444 A	12/1988	Terzi	220/90.2	5,984,127 A	11/1999	Fenton	220/254
4,792,054 A	12/1988	Weidman	222/23	D417,845 S *	12/1999	Saidler et al.	D9/447
4,796,774 A	1/1989	Nabinger	220/90.4	5,996,837 A	12/1999	Freek et al.	220/713
4,863,051 A	9/1989	Eibner et al.	215/261	6,003,711 A	12/1999	Bilewitz	220/253
4,869,389 A	9/1989	Cerrone, Jr.	220/90.2	6,010,029 A	1/2000	Wang	220/714
4,898,295 A	2/1990	Kim	220/66	6,089,397 A	7/2000	Van Melle	220/270
4,899,902 A	2/1990	DeMars	220/254	6,095,033 A	8/2000	Melton	99/323.3
4,915,250 A	4/1990	Hayes, Jr.	220/90.4	6,176,384 B1	1/2001	Voloshin	220/253
4,930,654 A	6/1990	Thibeault et al.	220/253	6,199,711 B1	3/2001	Lansky	220/255
4,932,555 A	6/1990	La Barge	220/375	6,216,904 B1	4/2001	Cagan	220/253
4,938,379 A	7/1990	Kellner	220/370	6,220,470 B1	4/2001	McHenry et al.	220/254
4,949,865 A	8/1990	Turner	220/254	6,305,571 B1	10/2001	Chu	220/719
4,953,743 A	9/1990	Dart et al.	220/369	6,578,726 B1	6/2003	Schaefer	220/253
4,966,300 A	10/1990	Coonradt	220/90.2				
D316,517 S *	4/1991	Coy	D9/447				
5,012,061 A	4/1991	Lesser	519/10.55				

* cited by examiner

FIG. 1

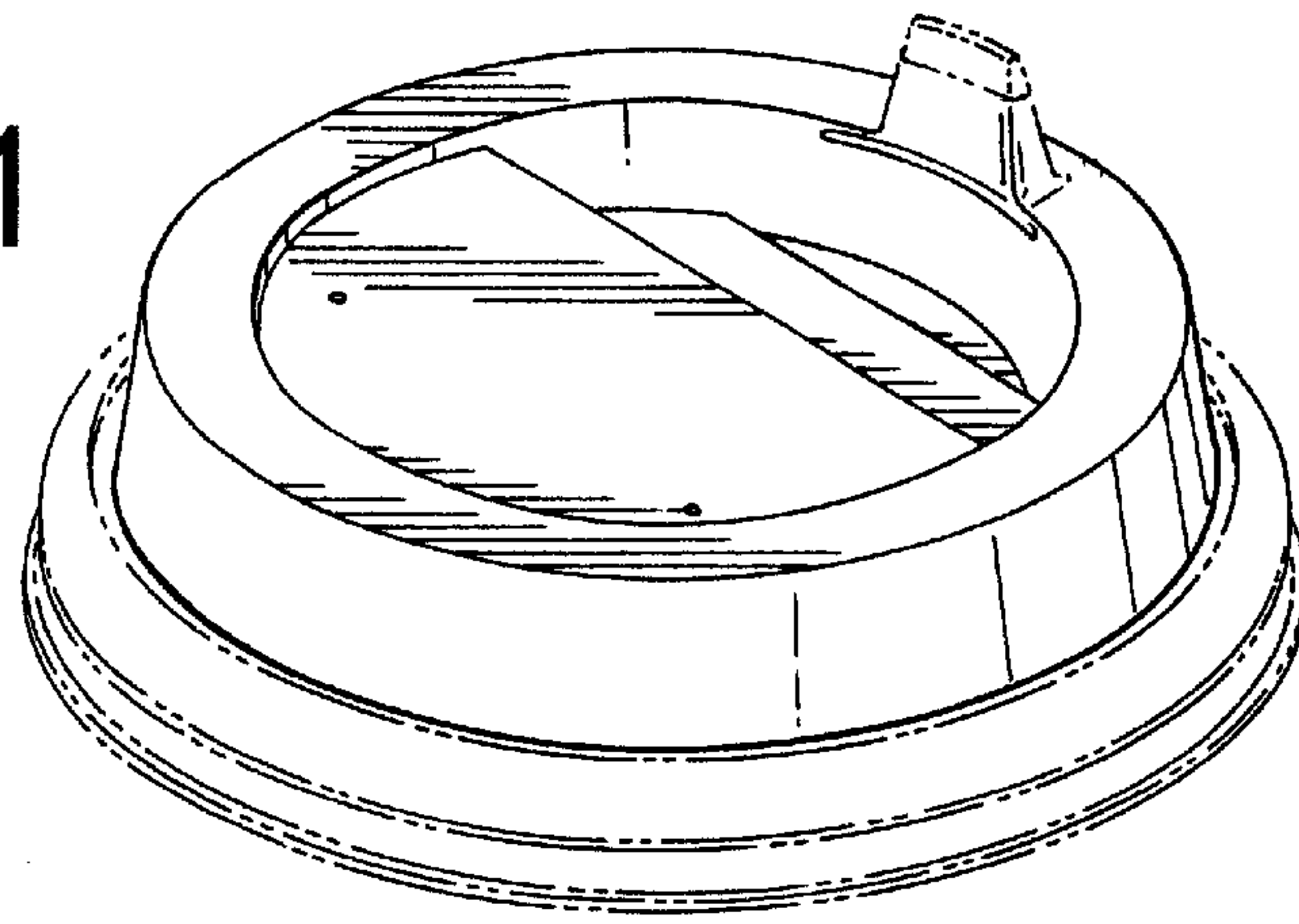


FIG. 2

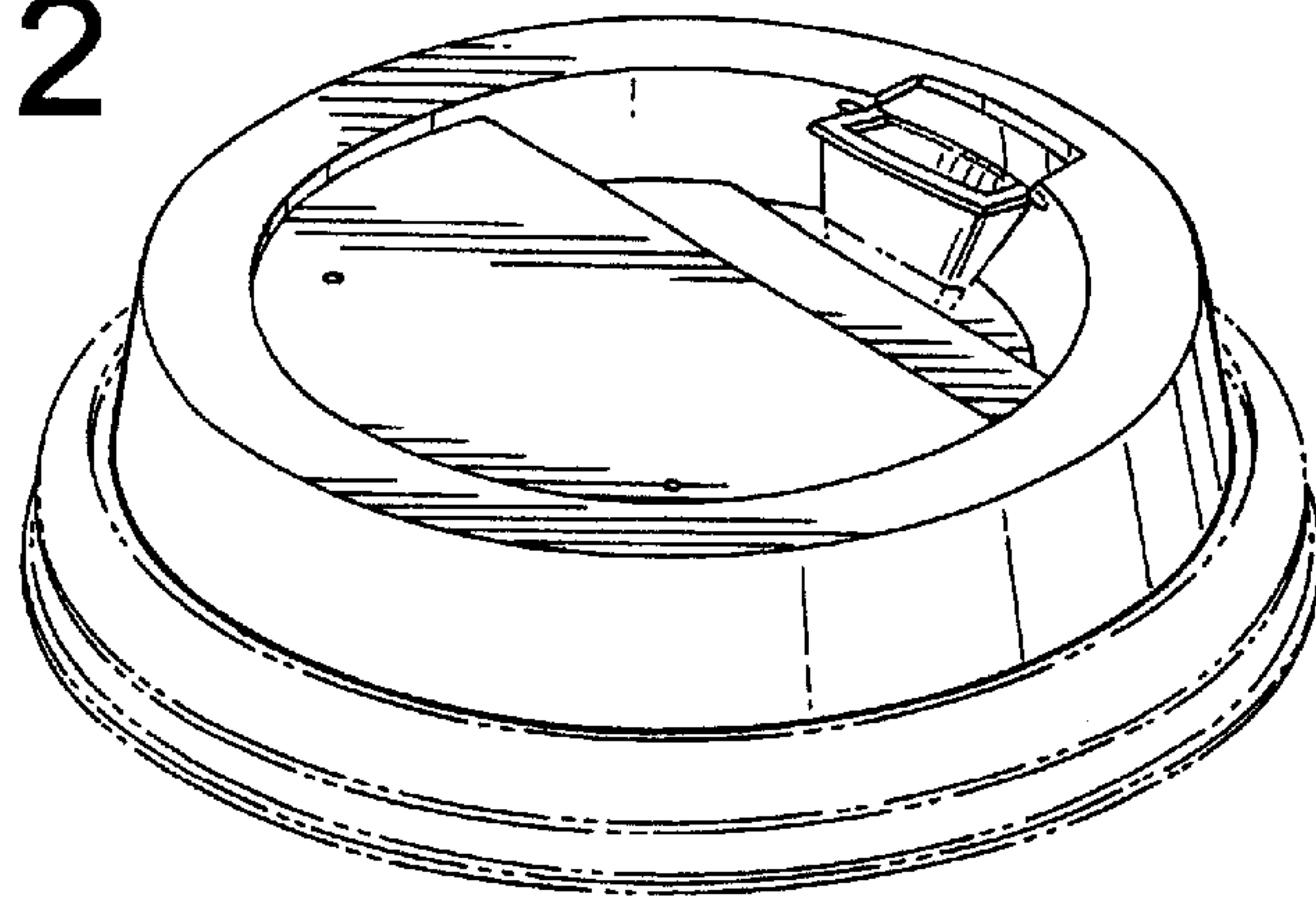


FIG. 3

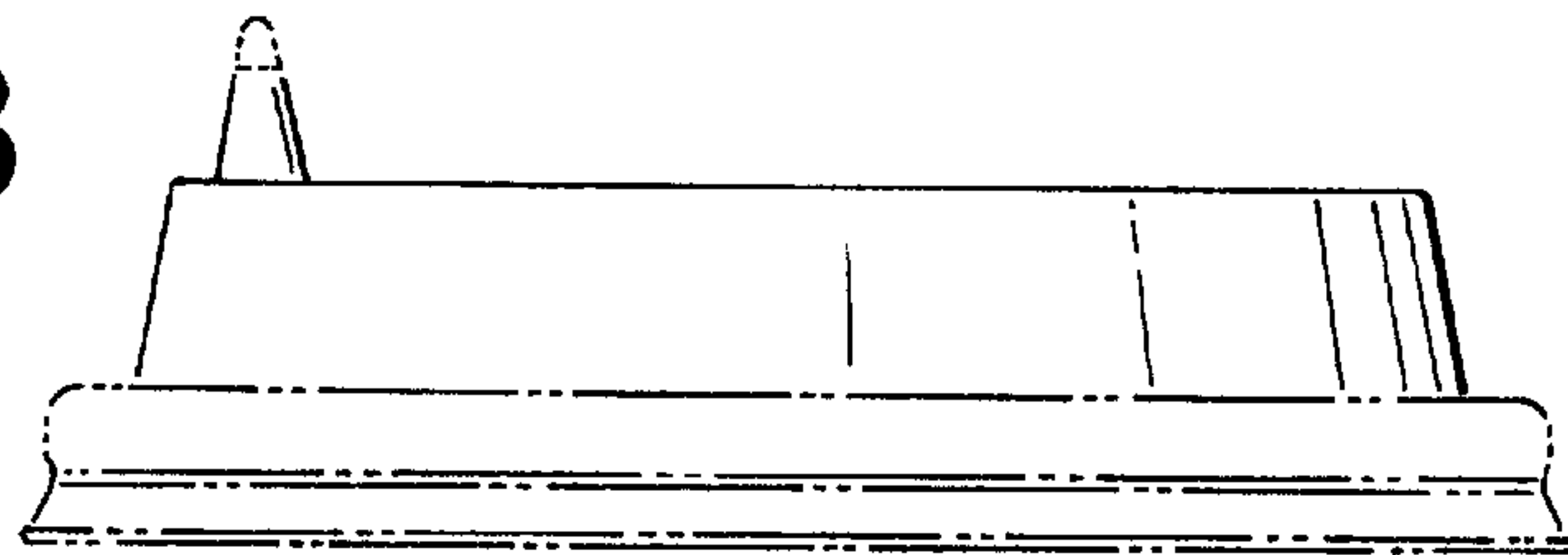


FIG. 4

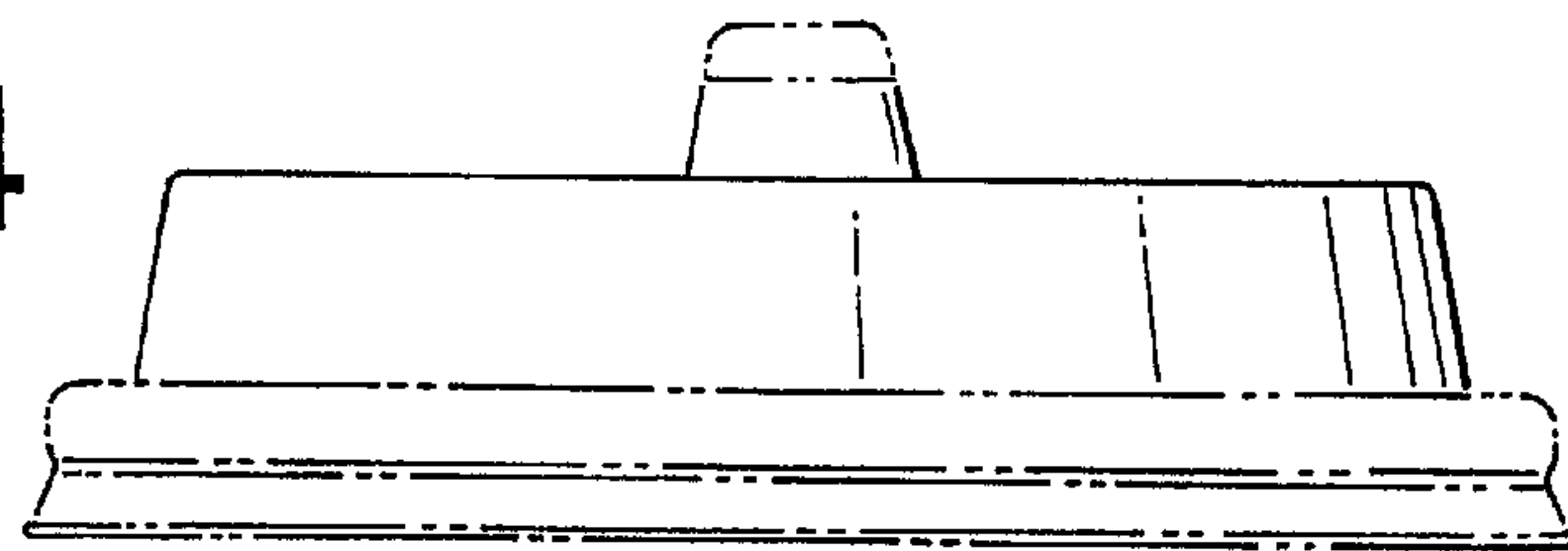


FIG. 5

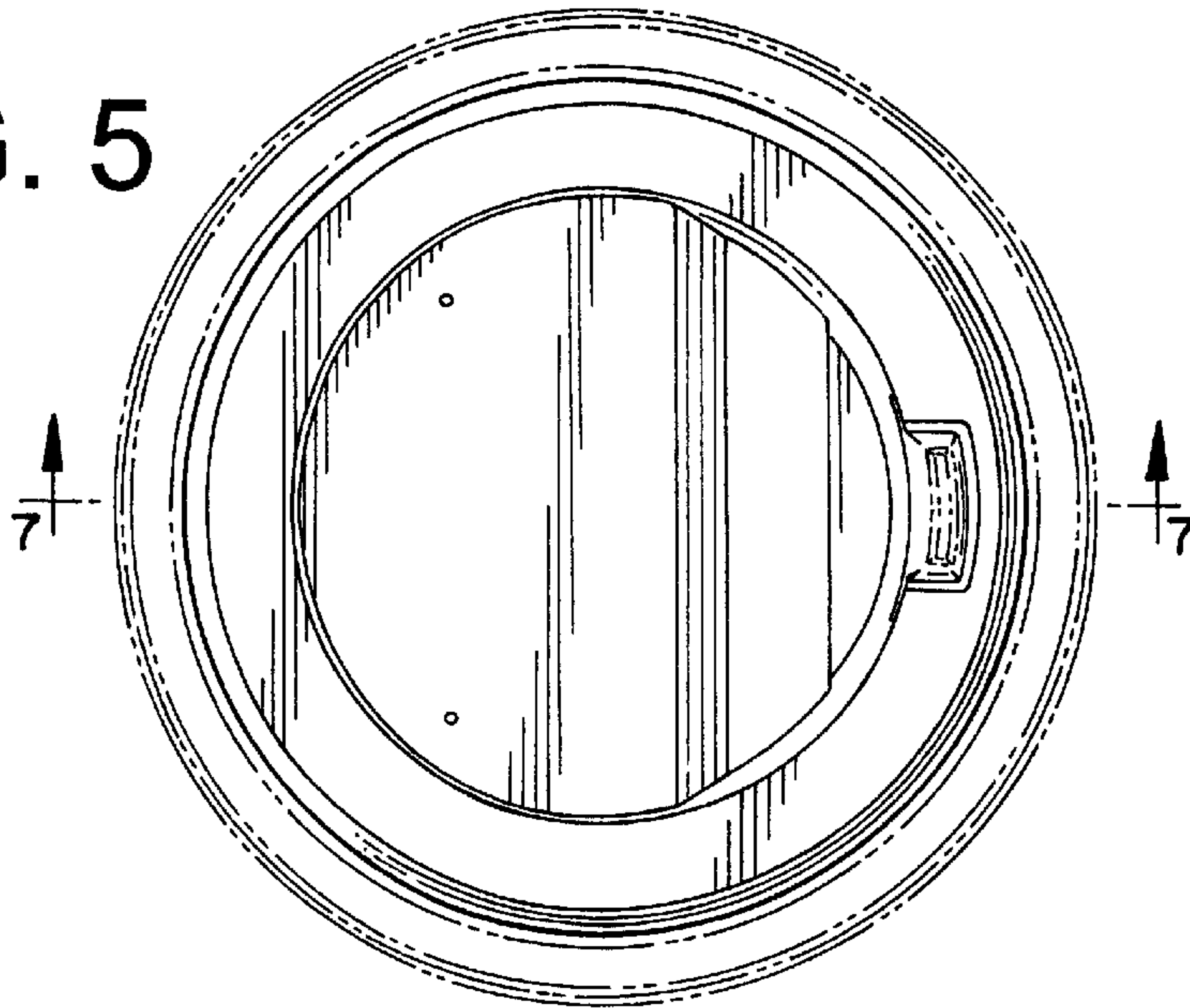


FIG. 6

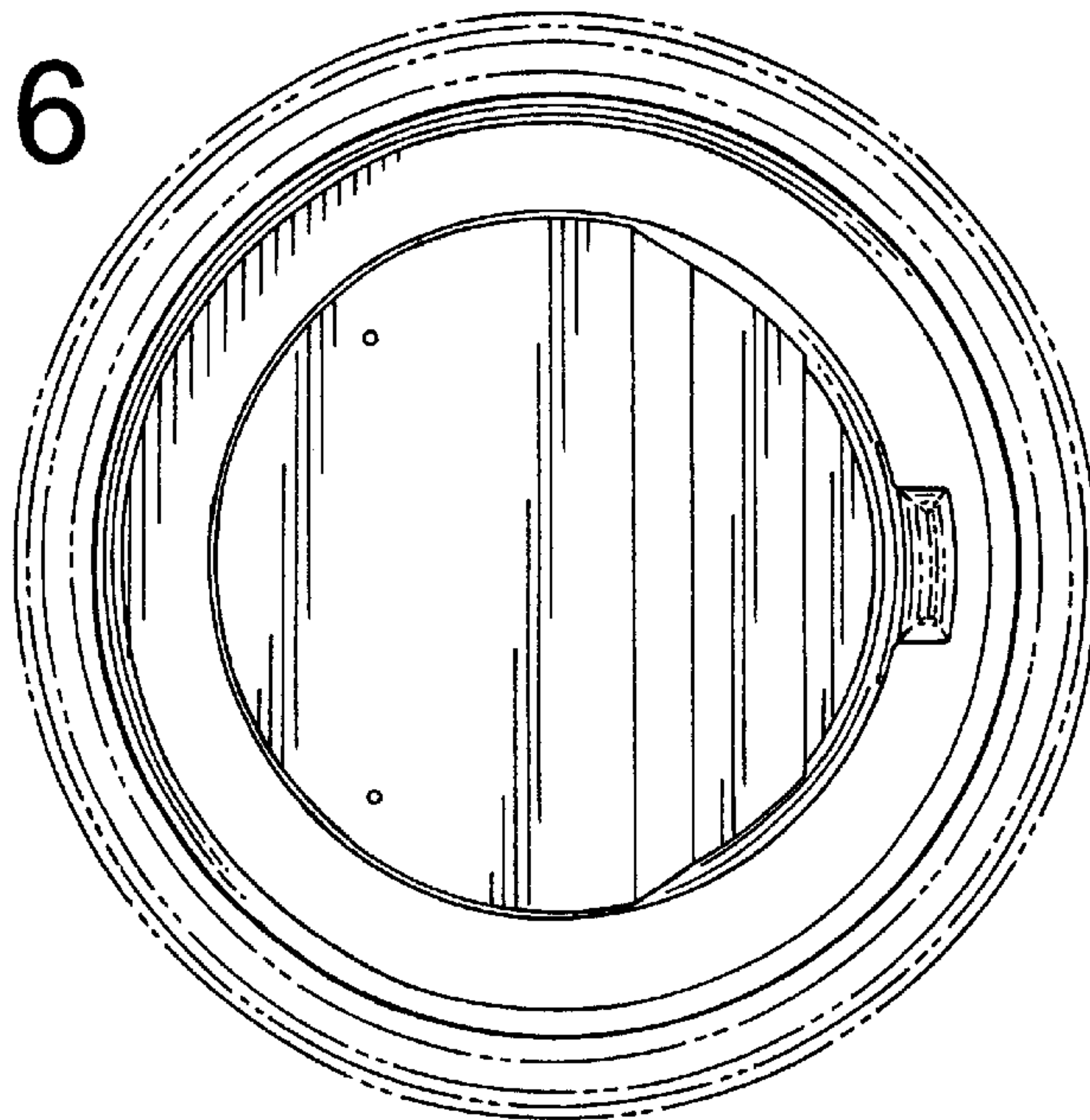


FIG. 7

